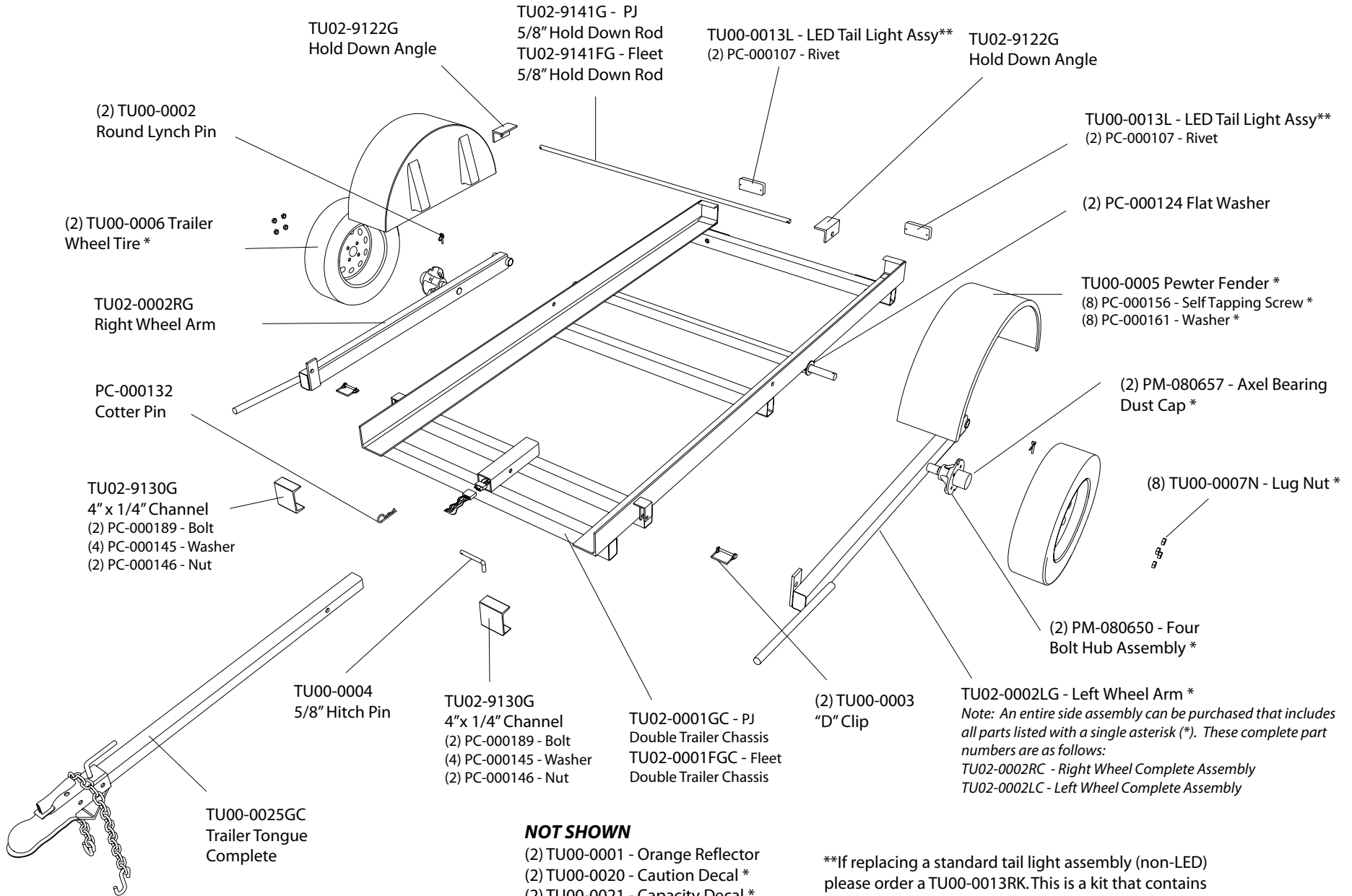


TU02-1000 - PJ Double Trailer
TU02-1001 - Fleet Double Trailer



- TU02-9122G Hold Down Angle
- (2) TU00-0002 Round Lynch Pin
- (2) TU00-0006 Trailer Wheel Tire *
- TU02-0002RG Right Wheel Arm
- PC-000132 Cotter Pin
- TU02-9130G 4" x 1/4" Channel
- (2) PC-000189 - Bolt
- (4) PC-000145 - Washer
- (2) PC-000146 - Nut
- TU00-0004 5/8" Hitch Pin
- TU02-9130G 4" x 1/4" Channel
- (2) PC-000189 - Bolt
- (4) PC-000145 - Washer
- (2) PC-000146 - Nut
- TU02-9141G - PJ 5/8" Hold Down Rod
- TU02-9141FG - Fleet 5/8" Hold Down Rod
- TU00-0013L - LED Tail Light Assy**
- (2) PC-000107 - Rivet
- TU02-9122G Hold Down Angle
- TU00-0013L - LED Tail Light Assy**
- (2) PC-000107 - Rivet
- (2) PC-000124 Flat Washer
- TU00-0005 Pewter Fender *
- (8) PC-000156 - Self Tapping Screw *
- (8) PC-000161 - Washer *
- (2) PM-080657 - Axle Bearing Dust Cap *
- (8) TU00-0007N - Lug Nut *
- (2) PM-080650 - Four Bolt Hub Assembly *
- (2) TU00-0003 "D" Clip
- TU02-0002LG - Left Wheel Arm *

Note: An entire side assembly can be purchased that includes all parts listed with a single asterisk (). These complete part numbers are as follows:*
 TU02-0002RC - Right Wheel Complete Assembly
 TU02-0002LC - Left Wheel Complete Assembly

- NOT SHOWN**
- (2) TU00-0001 - Orange Reflector
 - (2) TU00-0020 - Caution Decal *
 - (2) TU00-0021 - Capacity Decal *
 - (2) TU00-0008 - Red Reflector
 - (1) TU00-0022 - License Plate Holder

**If replacing a standard tail light assembly (non-LED) please order a TU00-0013RK. This is a kit that contains an LED tail light, adapter plate, and fasteners.