

Parts Catalog



MIXERS

MODEL: SP60 & SPC60

1-28-15

IMPORTANT!

TO EXPEDITE SHIPMENT OF PARTS, ALWAYS SPECIFY MODEL, REV,
PART NUMBER, AND SERIAL NUMBER OF MIXER.

GLOBE FOOD EQUIPMENT COMPANY

2215 East River Road

Dayton, Ohio 45439

Parts Department

Toll Free 1-800-745-6238 · Fax (937) 290-0585

E-Mail: info@globefoodequip.com

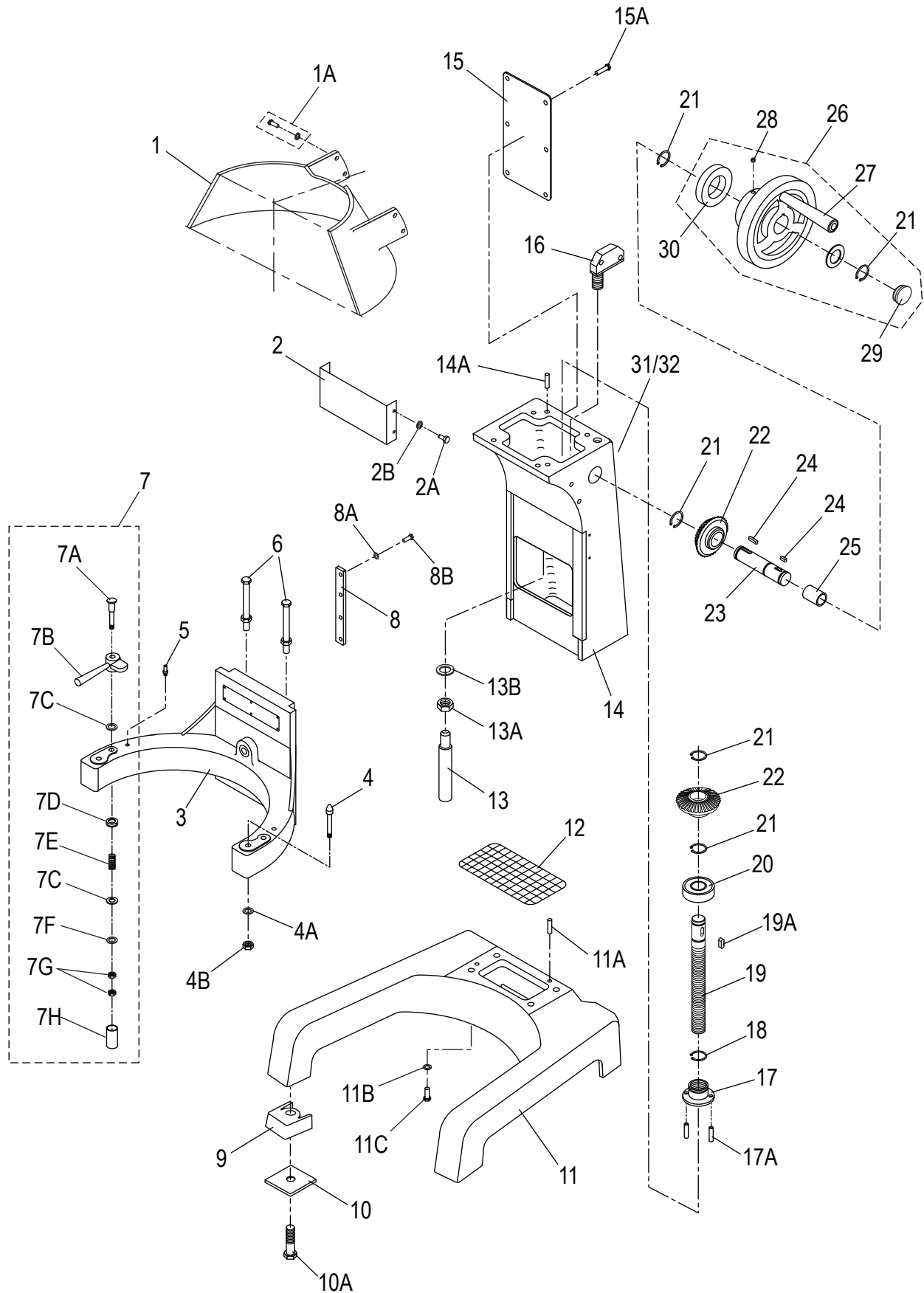
Website: www.globefoodequip.com

Not for resale

TABLE OF CONTENTS

	Page
Base	1 - 2
Head	3 - 4
Hub	5
Motor	6
Planetary	7 - 8
Gearbox	9 - 10
Motor Brake - SPC Models Only	11
Manual and Digital Timers	12
Notes	13
Electrical Diagram, SP60 - 220, 1 Phase	14
Electrical Diagram, SP60 - 208, 3 Phase	15
Wiring Diagram, SP60 - 220, 1 Phase	16
Wiring Diagram, SP60 - 208, 3 Phase	17
Wiring Diagram, SPC60 - 220, 1 Phase	18
Wiring Diagram, SPC60 - 208, 3 Phase	19
Wiring Diagram, SP/SPC60 - 208, 3 Phase	20

SP60/SPC60 BASE COMPONENTS

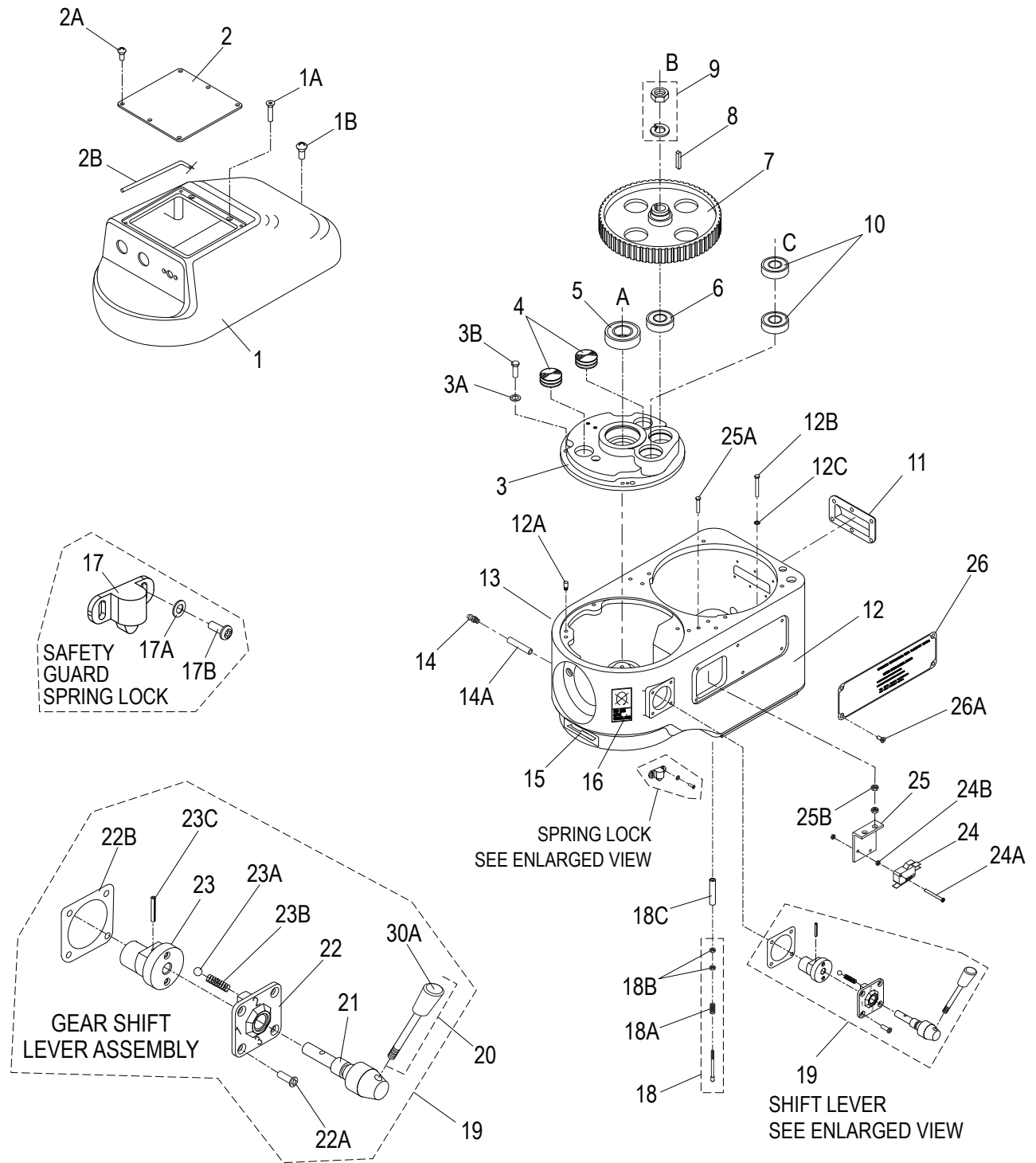


SP60/SPC60 BASE PARTS LIST

Item	Description	Part Number	Qty	Hardware
1	Guard, Rear	X60036	1	
1A	Screw, Hex Head & Flat Washer	X30101	4	M8x20mm
2	Mixer Column Cover	X60102	1	
2A	Screw, Hex Head	X20185	3	M6x8mm
2B	Washer, Flat	-	3	M6
3	Bowl Cradle	X60034	1	
4	Dowel Screw & Hardware	X60109	2	M12
5	Bowl Clamp Stop Pin	X60164	2	
6	Screw, Hex Head/Nut (Touch Shaft)	X40106	2	M10x54mm
7	Bowl Clamp Assembly (Set/2)	X30033	1	
7A	Bowl Clamp Screw	-	2	M12
7B	Bowl Clamp (Set/2, New Style)	X30033-2	1	
7C	Washer, Flat	-	4	M12
7D	Hardware Cap Retainer	-	2	
7E	Spring	-	2	
7F	Washer, Split Lock	-	2	M12
7G	Nut, Hex	-	4	M12
7H	Hardware Cap	-	2	
8	Cradle Slide Guides	X60035	2	
8A	Washer, Flat	-	8	M8
8B	Screw, Hex Head	X60107	8	M8x24mm
9	Front/Rear Rubber Feet (Set)	X40162-163	1	
10	Shipping Washer	-	4	
10A	Shipping Bolt	-	4	3/8x45mm
11	Mixer Base	X60038	1	
		X60038-DG		
11A	Dowel Pin (Column Locator)	-	2	
11B	Washer, Flat	-	4	M12
11C	Screw, Hex Head	-	4	M12x40mm
12	Base Screen	X60037	1	
13	Touch Shaft, Bowl Stop	X60218	1	M16
13A	Nut, Hex - Bowl Stop Pin	X60219	1	M16
13B	Washer, Split Lock	X60221	1	M16
14	Mixer Column	X60042	1	
14A	Dowel Pin, Head Locator	-	2	
15	Plate, Rear Cover	X40055	1	
15A	Screw, Truss Head	X40056	6	M6x10mm
16	Microswitch, Bowl Lift	X30051	1	
	Microswitch, Bowl Lift - SPC Model	X30051-1		
17	Screw Sleeve	X30104	1	
17A	Roll Pin	X30105	2	Ø4x30mm
18	Retaining Ring	X25145	1	STW-35
19	Bowl Lift Screw	X40041	1	
19A	Shaft Key	X20123	1	5x5x15mm
20	Ball Bearing	X30043	1	
21	Retaining Ring	X30044	5	STW-25
22	Oblique Gear (30T)	X30045	2	
23	Shaft	X40047	1	
24	Shaft Key	X40073	2	5x5x20mm
25	Oilless Bearing	X40050	1	
26	Hand Wheel Crank With Handle, Plastic	X40053	1	
	Hand Wheel Crank With Handle, Metal	X40053M		
27	Hand Wheel Crank Handle	X30053-1	1	
28	Set Screw, Cup Point (Metal Wheel Only)	-	1	M10x8mm
29	Hand Wheel Cap	-	1	
30	Spacer (50Mmod X 25.3mm Id X 10.2mm)	-	1	
31	Label, Hazardous Voltage (Not Shown)	X91014	1	
32	Label, Caution 3-Ph (3 Phase Units, Not Shown)	X91011	1	

*Use after S/N 7611145 (1 Phase) or S/N 7651161 (3 Phase)

SP60/SPC60 HEAD COMPONENTS

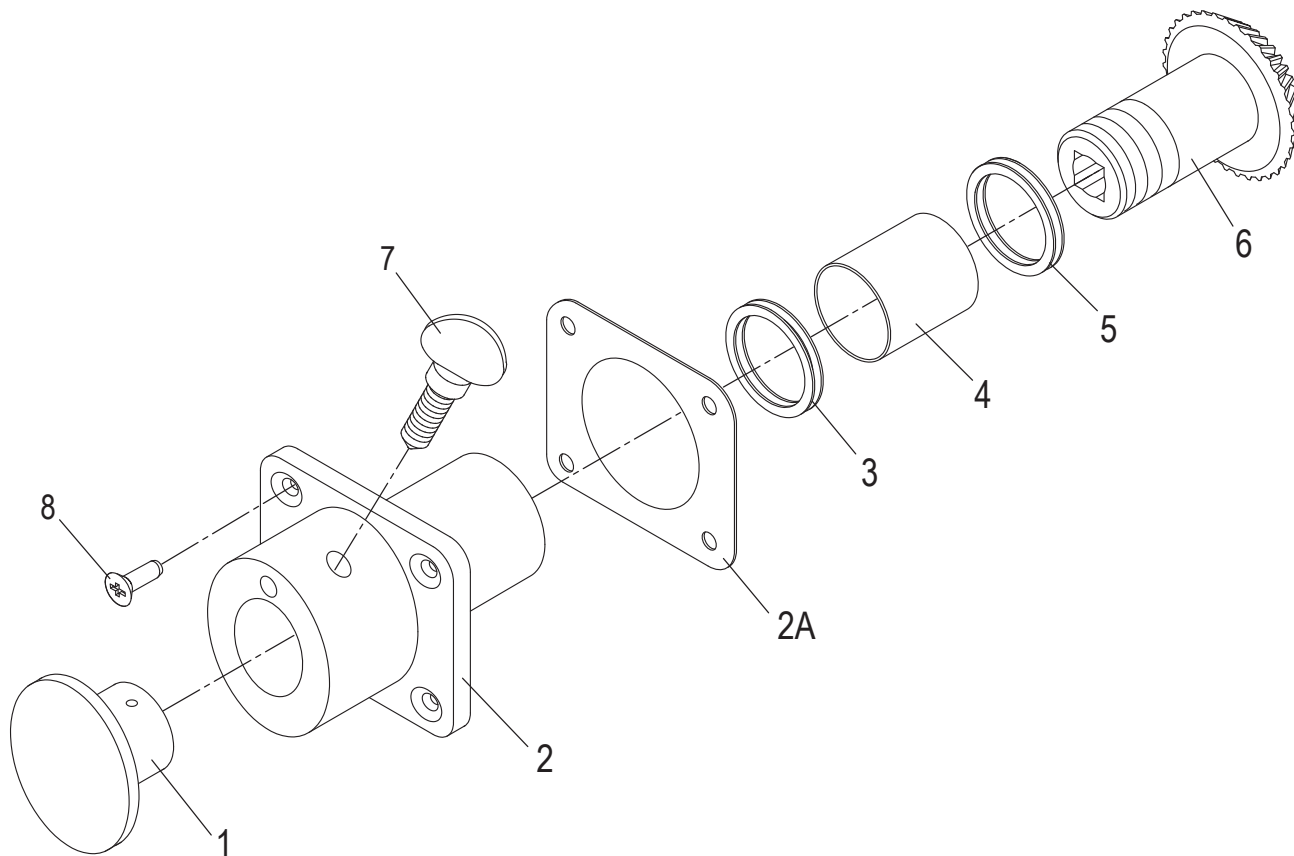


SP60/SPC60 HEAD PARTS LIST

Item	Description	Part Number	Qty	Hardware
1	Cover, Transmission	X40004	1	
		X40004-DG		
	Cover, Transmission - SPC Model	X40004-1		
		X40004-1-DG		
1A	Screw, Flat Head	X30207	2	M8x108mm
1B	Screw, Flat Head	X30220	1	M6x90mm
2	Cover, Switch Box	X40002	1	
2A	Screw, Truss Head	X30001	6	M6x10mm
2B	Gasket, Switch Box	X40003	1	
3	Cover, Gear Housing	X60077	1	
3A	Washer, Split Lock	X30198	4	M8
3B	Screw, Hex Head	X30197	4	M8x24mm
4	Grease Plug	X10073	2	
5	Ball Bearing	X30125	1	
6	Ball Bearing	X10102	1	
7	Wheel, Main Cog (97T)	X60080	1	
8	Shaft Key	X60081	1	5x5x28mm RF
9	Stop Nut & Washer	X40082	1	M16
10	Ball Bearing	X60078	2	
11	Plate, Ventilation	X30076	1	
12	Transmission Case, Fixed Bowl Guard. Used Before S/N 7610884 Or 7650835.	†X60087	1	
	Transmission Case, Removable Bowl Guard. Used After S/N 7610883 Or 7650834.	*X60087-1		
12A	Dowel Pin, Cover Locating	-	2	
13	Label, Lubricate	X91009	1	
14	Grease Fitting	X10900	1	
14A	Grease Tube	X10217	1	
15	Label, Arrow	X91012	1	
16	Label, Stop To Change Gear	X91010	1	
17	Safety Guard Spring Lock	X10134	1	
17A	Washer, Split Lock	X10134A	2	M3
17B	Screw, Round Head	X10134B	2	M3x8mm
18	Touch Shaft Assy, Brass	X40096	1	
	Touch Shaft Assy, Nylon	X30096N		
18A	Spring	X30095	1	
18B	Nut, Hex	X30186	2	M5
18C	Tube	X40187	1	
19	Gear Shift Lever Assembly	X40057-60	1	
20	Gear Shift Lever With Knob	-	1	
20A	Knob, Gear Shift	X30057-1	1	
21	Shaft	-	1	
22	Cover	-	1	
22A	Screw, Flat Head	-	4	M8x20mm
22B	Gasket	X30059-1	1	
23	Shaft Bias	-	1	
23A	Ball Bearing	-	2	
23B	Spring	-	2	
23C	Roll Pin	-	1	Ø5x28mm
24	Microswitch, Interlock	X10057	1	
	Microswitch, Interlock - SPC Model	X10057-1		
24A	Screw, Round Head	854-2	2	#4-40x5/8
24B	Nut	854-3	4	#4-40
25	Bracket, Microswitch	X30062	1	
25A	Screw, Hex Head	-	2	M6x20mm
25B	Nut, Hex	-	4	M6
26	Plate, Warning	X30066	1	
26A	Screw, Pan Head	X30065	4	M4x6mm

* Use after S/N 7611145 (1 Phase) or S/N 7651161 (3 Phase)

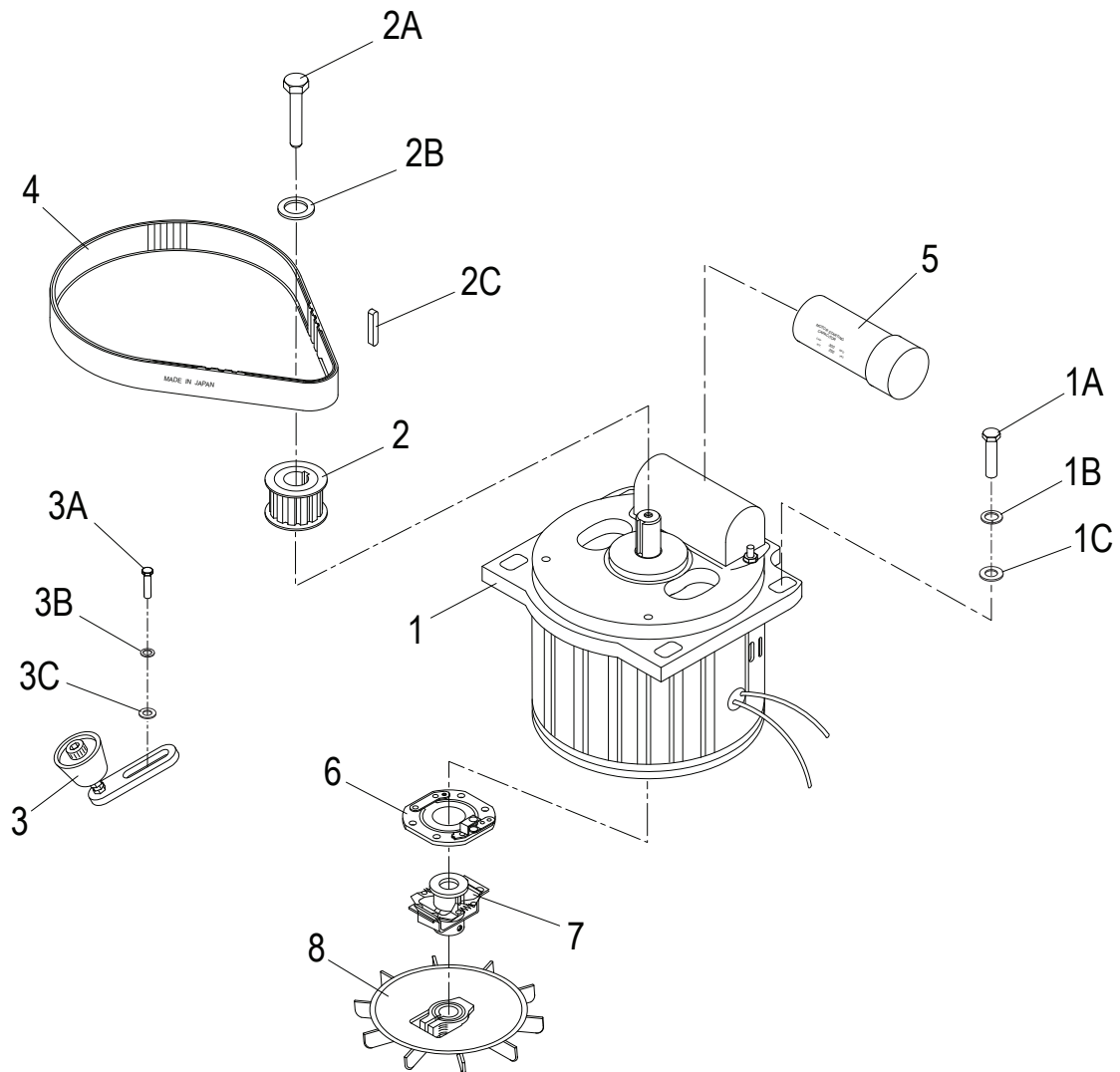
SP60/SPC60 HUB ASSEMBLY COMPONENTS



Item	Description	Part Number	Qty	Hardware
1	Attachment Hole Plug	X10007	1	
2	Attachment Hub	X40017	1	
	(Includes Oil Seal & Bearing)	*X40017-DG		
2A	Gasket		1	
3	Oil Seal	X10089	1	
4	Bearing	X10075	1	
5	Thrust Washer	X30018-1	2	
6	Level Drive Gear (35T)	X40014	1	
7	Thumb Screw	X10005	1	1/2-13x3/4"
8	Screw, Socket Head	-	4	M6x25mm

* Use after S/N 7611145 (1 Phase) or S/N 7651161 (3 Phase).

SP60/SPC60 MOTOR COMPONENTS

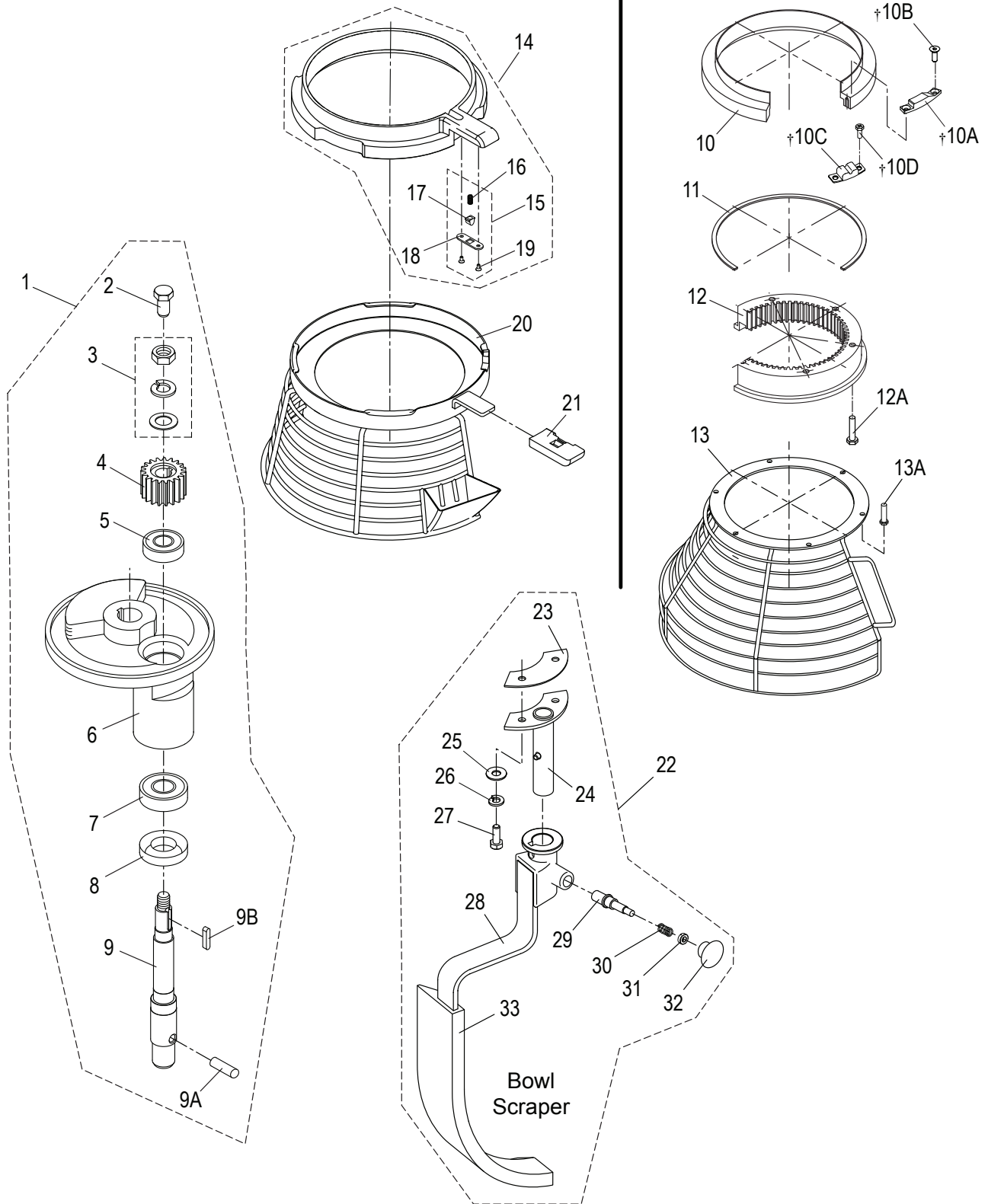


Item	Description	Part Number	Qty	Hardware
1	Motor, Sp60p 3Hp 208/60/3 (SPC60P-3)	X60068-1	1	
	Motor, Sp60p 3Hp 208/60/3 - Motor Brake (SPC60P-3)	X60068-1C		
	Motor, Sp60p 3Hp 220/60/1 (SP60P-1)	X60068-2		
	Motor, Sp660p 3Hp 220/60/1 - Motor Brake (SPC60P-1)	X60068-2C		
1A	Screw, Hex Head	X40069	4	M8x30mm
1B	Washer, Split Lock	X08102	4	M8
1C	Washer, Flat	X08076	4	M8
2	Wheel, Motor Cog (18T) 60HZ	X30071	1	
	Wheel, Motor Cog (20T) 50HZ	X00734	1	
2A	Screw, Hex Head	X40075	1	M8x20mm
2B	Washer, Flat	X30074	2	M8
2C	Shaft Key	X30073	1	5x5x25mm
3	Belt Tensioner	X30158	1	
3A	Screw, Hex Head	X30197	2	M8x24mm
3B	Washer, Lock	X08102	2	M8
3C	Washer, Flat	X08076	2	M8
4	Cogged Belt (S8m-880) (Short)	X40072-1	1	
	Cogged Belt (S8m-896) (Std)	X40072-2	1	
5	Capacitor, Start 600MF	X30070-1A	1	
	Capacitor, Run 70MF	X60070-2	1	
6	Switch, Platinum	X40067	1	
7	Clutch	X40064	1	
8	Cooling Fan	X40061	1	

SP60/SPC60 PLANETARY COMPONENTS

Removable Bowl Guard
after S/N 7610883
or S/N 7650834

Fixed Bowl Guard
before S/N 7610884
or S/N 7650835



SP60/SPC60 PLANETARY PARTS LIST

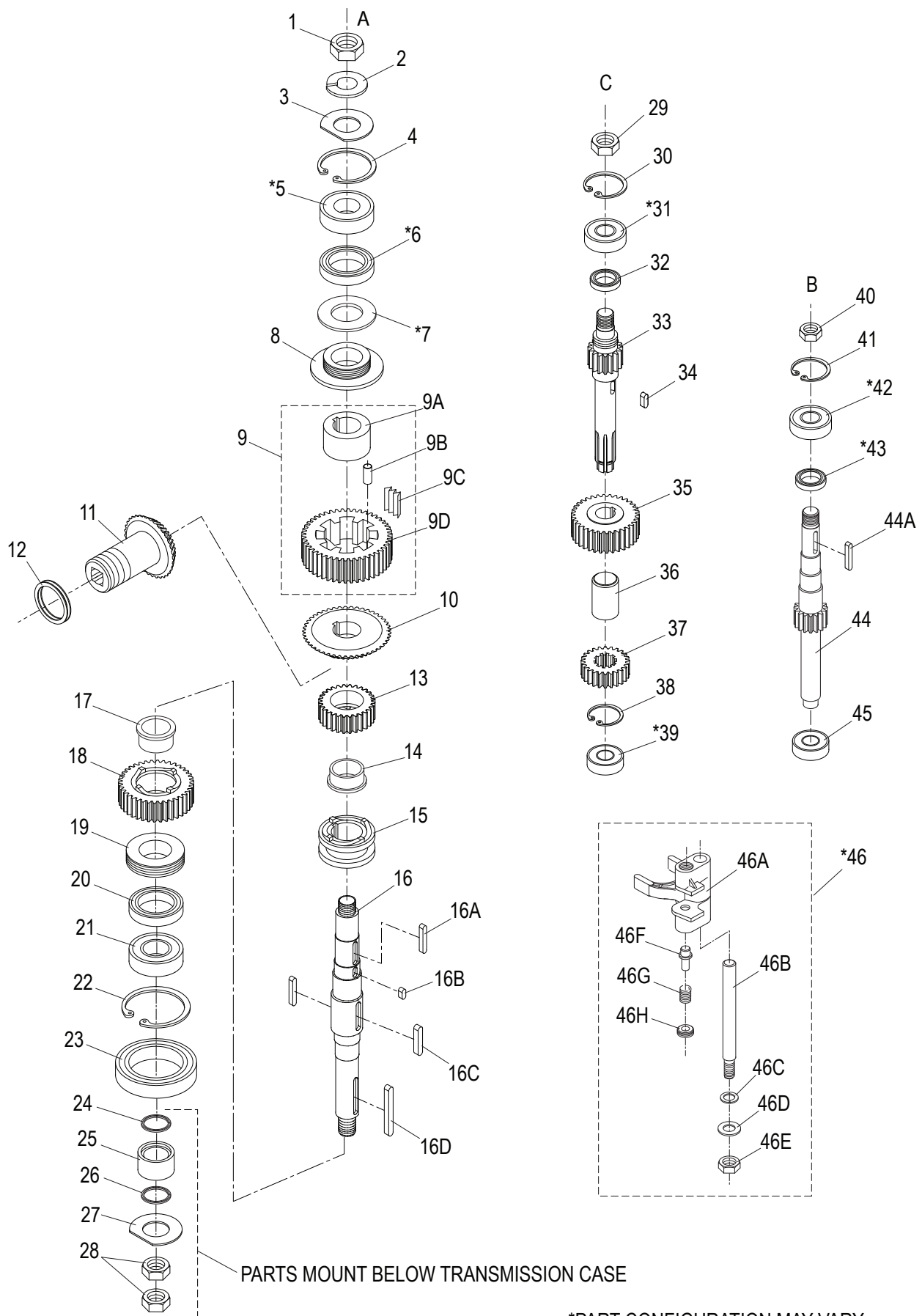
Item	Description	Part Number	Qty	Hardware
1	Planetary Complete Assembly	X60019-28	1	
2	Screw, Hex Head (Old Style Shaft)	X60019	1	
3	Nut, Stop & Washers	X30020	1	M14
4	Pinion, Beater (21T)	X60021	1	
5	Ball Bearing (Set Of Two)	X60022	1	
6	Planetary Shaft Holder	X60023	1	
		†X60023-DG		
7	Ball Bearing	X60024	1	
8	Oil Seal	X60025	1	
9	Planetary Shaft, External Thread (New Style)	X60027	1	
	Planetary Shaft, Internal Thread (Old Style)	-	1	
9A	Dowel Pin	X60028	1	
9B	Shaft Key	X40026	1	6x6x22mm
*10	Slide Sheath	X60090P	1	
10A	Touch Mass	X10041	2	
*10B	Screw, Flat Head - SS	X10042	2	M4 x 10mm
*10C	Safety Guard Spring Lock Fixture	-	1	
*10D	Screw, Hex Head - SS	-	2	M4x9mm
*11	Gasket	X40091	1	
*12	Ring Gear (67T)	X60092	1	
*12A	Screw, Socket Head	X30099	6	M8x28mm
*13	Front Interlocking Guard Assy	X60093-94	1	
13A	Screw, Hex Head - Locking Patch	X10083	6	M5x8mm
*14	Plastic Slide Sheath, Removable Safety Guard	X600S2	1	
**15	Spring Plunger Hardware Kit	X200S3	1	
**16	Spring	-	1	
**17	Plunger	-	1	
**18	Plate, Plunger Retention	-	1	
19	Screw, Flat Head	-	2	M3x8mm
**20	Bowl Guard Assembly, Stainless Steel	X600S1	1	
**21	Handle, Plastic - Removable Safety Guard	X30504	1	
22	Bowl Scraper Assembly	XXSCRP-60	1	
23	Shaft Spacer	-	1	
24	Scraper Hub	-	1	
25	Washer, Flat	-	3	M10
26	Washer, Split Lock	-	3	M10
27	Screw, Hex Head - SS	-	3	M10x18mm
28	Scraper Attachment Arm	-	1	
29	Pin	X80522	1	
30	Spring	X80523	1	
31	Spacer	X80524	1	
32	Knob	X80525	1	
33	Bowl Scraper	X80526	1	

*Fixed Bowl Guard: Used before S/N 7610884 OR 7650835.

**Removable Bowl Guard: Used after S/N 7610883 OR 7650834.

†Use after S/N 7611145 (1 Phase) or S/N 7651161 (3 Phase).

SP60/SPC60 GEARBOX COMPONENTS



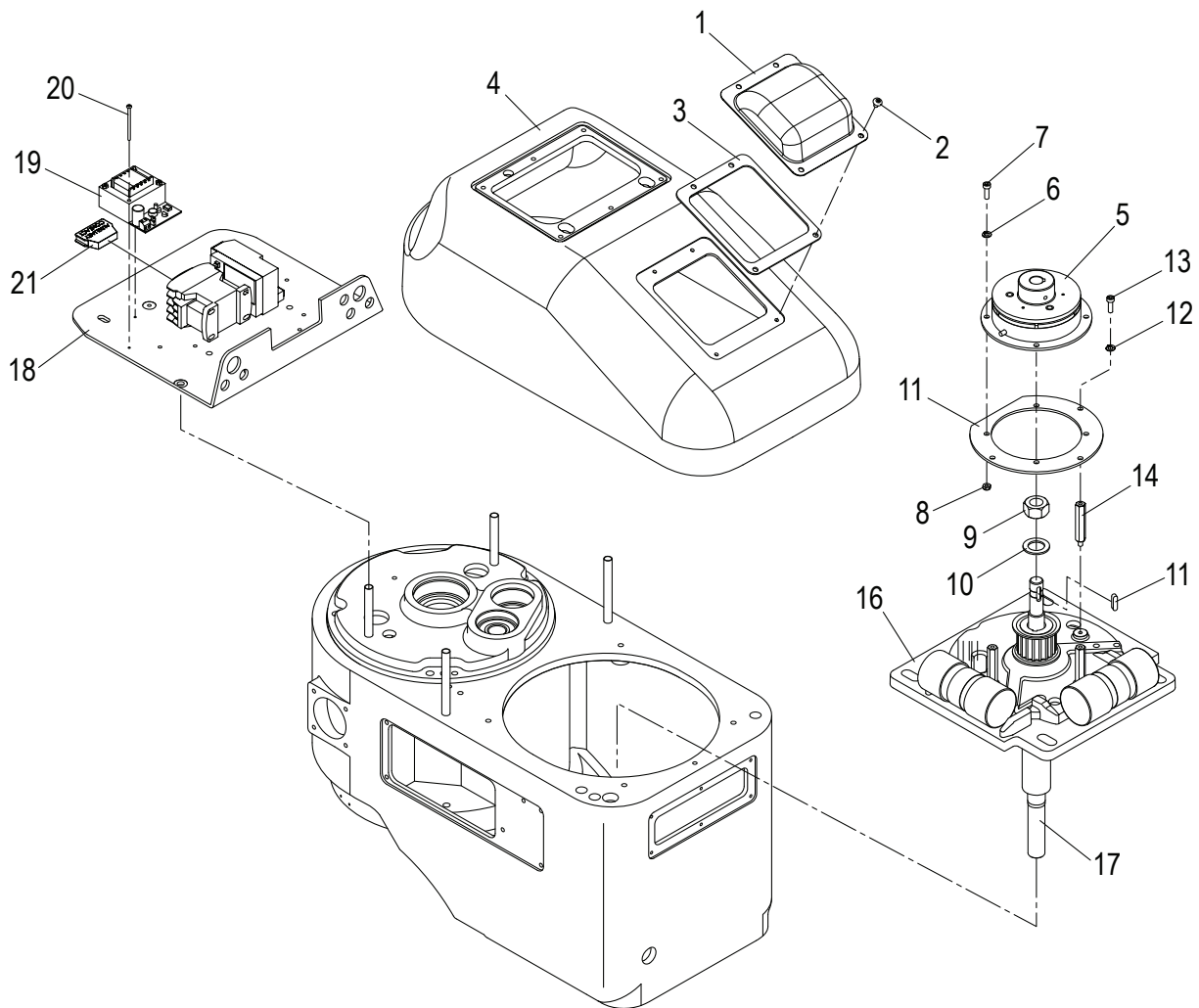
*PART CONFIGURATION MAY VARY.

SP60/SPC60 GEARBOX PARTS LIST

Item	Description	Part Number	Qty	Hardware
1	Nut, Jam	X40111	1	M24
2	Washer, Split Lock	X40111A	1	M24
3	Washer, D	X60111B	1	M24
4	Retaining Ring	X30126	1	STW-72
*5	Ball Bearing	X30125	1	
*6	Oil Seal	X60212	1	
*7	Shim	-	A/R	
8	Lead-In Oil Pad	X60113	1	
9	Slow Speed Gear Assembly	X60114-117	1	
9A	Bushing	-	1	
9B	Dowel Pin	-	1	
9C	Slice Spring	-	1	
9D	Gear, Slow Speed (52T)	-	1	
10	Gear, Bevel (52T)	X60118	1	
11	Hub Drive Gear (35T)	X40014	1	
12	Thrust Washer	X30018-1	1	
13	Gear, Clutch (36T) Old Style (Standard)	X60120	1	
	Gear, Clutch (34T) New Style (Slow Speed)	*X60209	1	
14	Bushing, Clutch	X60119	1	
15	Sleeve, Clutch	X60133	1	
16	Drive Shaft	X60130	1	
16A	Shaft Key	X60121	1	8x10x30mm
16B	Shaft Key	X60217	1	8x8x12mm
16C	Shaft Key	X30132	2	8x10x34mm
16D	Shaft Key	X30131	1	10x10x57mm
17	Bushing, Clutch	X60119	1	
18	Gear, Clutch (45T)	X60122	1	
19	Washer, Stepped	X60124	1	
20	Oil Seal	X60213	1	
21	Ball Bearing	X60125	1	
22	Retaining Ring	X60126	1	STW-80
23	Oil Seal	X60128	1	
24	O-Ring (Upper)	X60216	1	36x43x3.5mm
25	Guard, Oil Bushing	X60127	1	
26	O-Ring (Lower)	X60208	1	38x50x6mm
27	Washer, Flat	X60129A	1	
28	Nut, Jam	X40111	1	M24
29	Nut, Jam	X40082	1	M16
30	Retaining Ring	X25106	1	STW-52
*31	Ball Bearing (Qty May Vary)	X10102	1	
32	Oil Seal	X60214	1	
33	Transmission Shaft (13T) Old Style, Keyed	USE X60150-2 & X40143-2	1	
	Transmission Shaft (13T) New Style, Splined	X60150-2	1	
34	Shaft Key	X60149	1	8x8x22mm
35	Gear (29T) Old Style (Standard)	X40148	1	
	Gear (31T) New Style (Slow Speed)	*X40223	1	
36	Bushing, Spacer	X40144	1	
37	Gear (20T) Old Style, Keyed	X60143-1	1	
	Gear (20T) New Style, Splined	X40143-2	1	
38	Retaining Ring	X40141	1	STW-24
*39	Ball Bearing (Qty May Vary)	X60140	1	
40	Nut, Jam	X40082	1	M16
41	Retaining Ring	X30146	1	STW-42
*42	Ball Bearing (Qty May Vary)	X60078	2	
*43	Oil Seal (Old Style Mixer)	X60214	1	
44	Shaft, Master (15T) Old Style (Standard)	X60145	1	
	Shaft, Master (13T) New Style (Slow Speed)	*X60210	1	
44A	Shaft Key	X60081	1	5x5x28mm RF
45	Ball Bearing	X30140	1	
46	Yoke Shifter Assembly	X60134-139	1	
46A	Yoke, Shifter	-	1	
46B	Guide, Rod Shifter	-	1	
46C	Washer, Split Lock	-	1	M12
46D	Washer, Flat	-	1	M12
46E	Nut, Hex	-	1	M12
46F	Plunger, Yoke Shifter	-	1	
46G	Spring, Retainer	-	1	
46H	Spring, Retainer	-	1	

*Use After S/N 7610183 (Single Phase) Or S/N 7650103 (Three Phase)

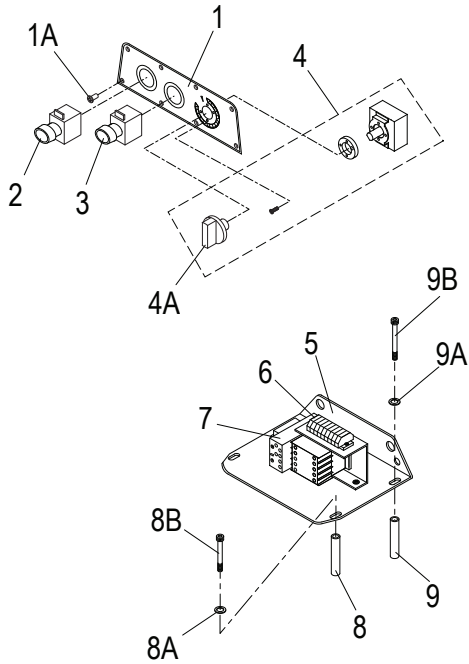
SPC60 MOTOR BRAKE COMPONENTS



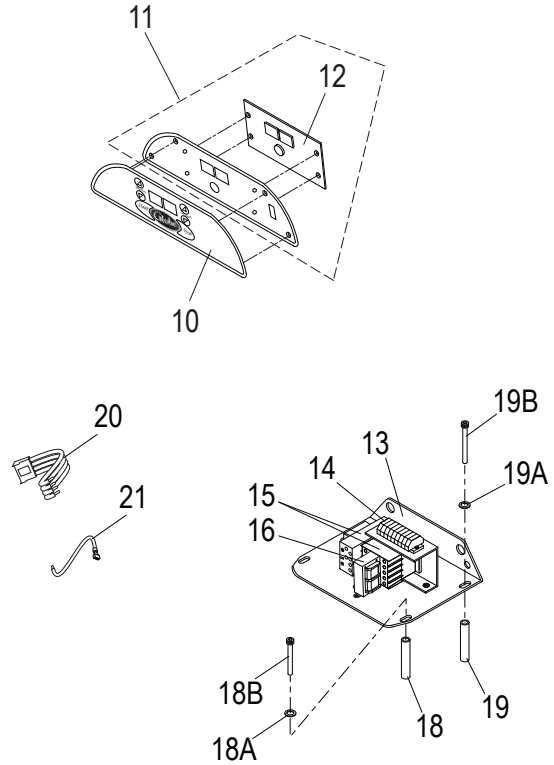
Item	Description	Part Number	Qty	Hardware
1	Cover, Motor Brake Components	X25500	1	
2	Screw, Button Head	-	4	M5x10mm
3	Gasket	X25500-1	1	
4	Transmission Cover, Motor Brake Version	X40004-1	1	
5	Motor Brake, Magnetic	X40501	1	
6	Washer, Split Lock	-	4	M5
7	Screw, Socket Head	-	4	M5x12mm
8	Nut, Hex	-	4	M5
9	Nut, Hex	-	1	M18
10	Washer, Flat	-	1	M18
11	Brake Housing	X40500	1	
13	Screw, Socket Head	-	3	M5x10mm
14	Hex Standoff	X30502	3	
15	Shaft Key	-	1	5x5x20mm
*16	Top Cover, Motor	-	1	
*17	Motor Shaft	-	1	
18	Plate, Electronic Component Mounting	-	1	
19	Electronic Board, 220V/208V	X20512-1	1	
20	Screw, Round Head	-	2	M3x34mm
21	Auxiliary Contact Block	X25503	1	

*Included With SPC Model Motor Assembly X60068-1C & X60068-2C (Page 6).

SP60/SPC60 MANUAL AND DIGITAL PARTS LIST



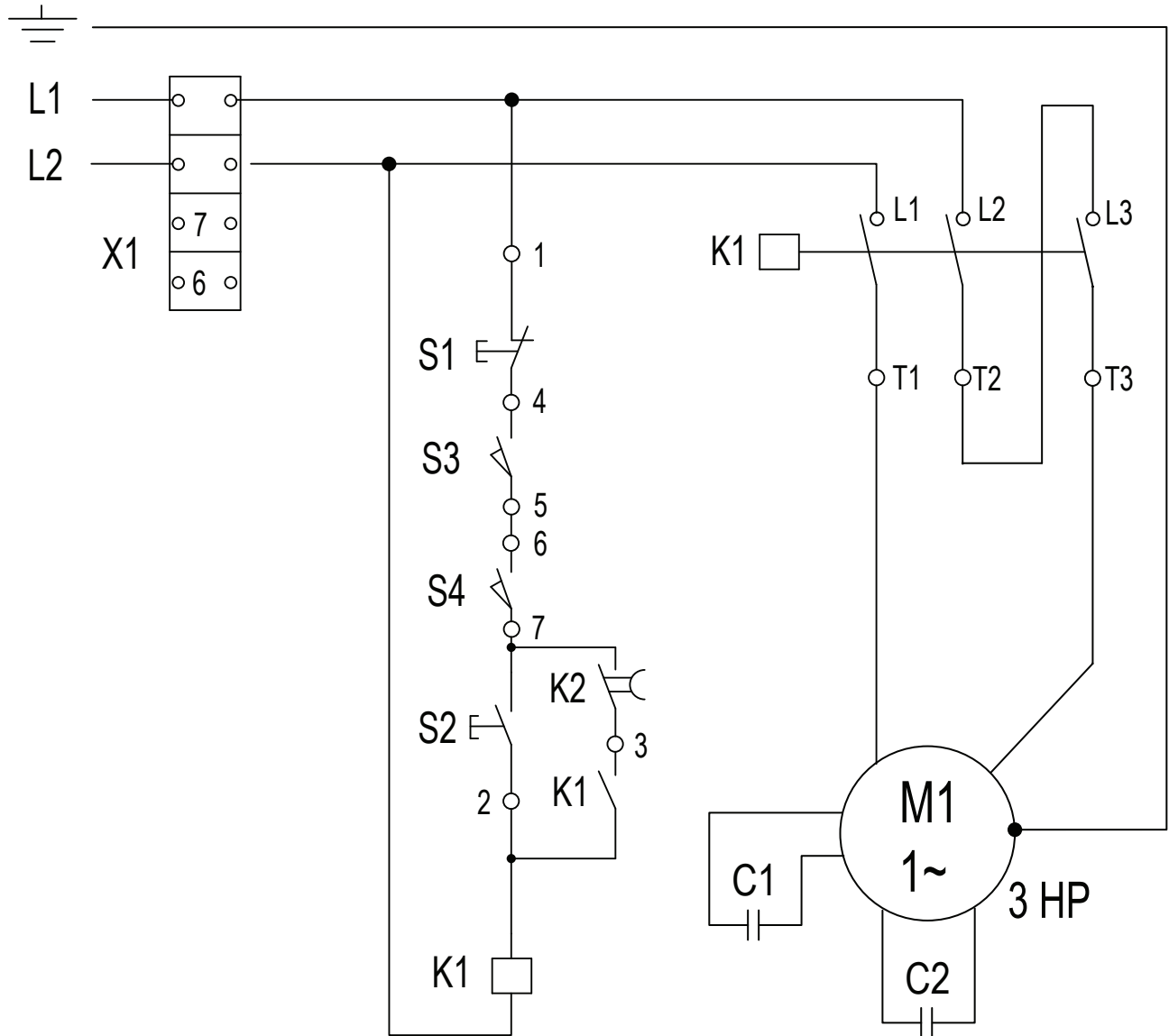
Manual Timer



Digital Timer

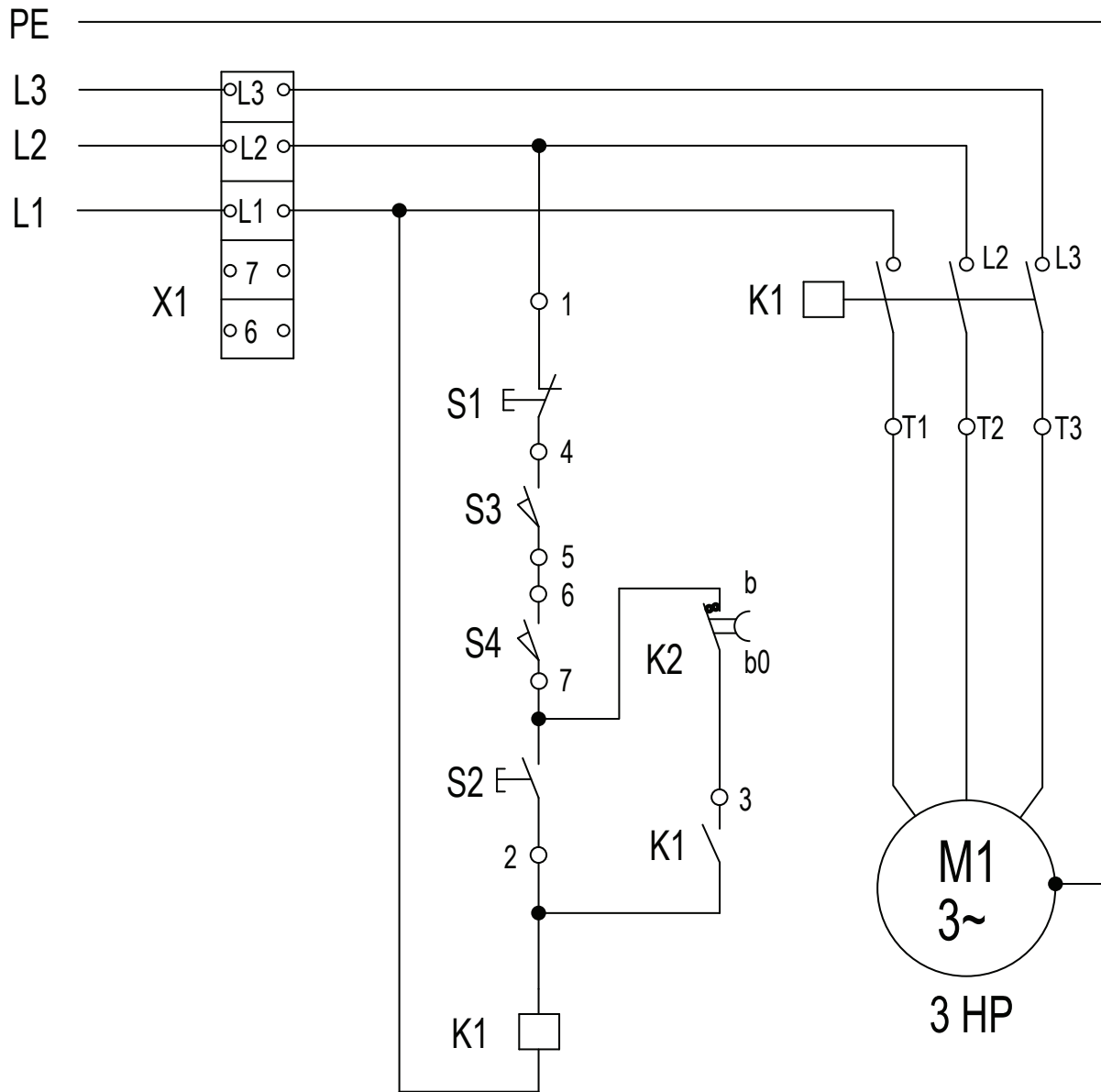
Item	Description	Part Number	Qty	Hardware
1	Control Panel	X40005	1	
1A	Screw, Truss Head	X30204	8	M4x10mm
1B	Gasket, Control Panel (Not Shown)	X40009		
2	Emergency Stop Button	X10050	1	
3	Start Button	X30007	1	
3A	Boot, Start/Stop Switch Button (Not Shown)	X30007-1	2	
3B	Bulb, Start Button (Not Shown)	X30007-1B	1	
4	Timer With Knob	X10137	1	
4A	Timer Knob	X10137-1	1	
5	Plate, Electronics Mounting	X60013	1	
6	Connecting Block Set	X40012	1	
	Connecting Block, 2C Gry	X40012-2G	7	
	Connecting Block, 4C Org	X40012-4R	1	
	Connecting Block End Cap	X40012-EC	1	
7	Overload Relay/Contactor Kit, SP60 2HP, 3PH	X60154-1	1	
	Overload Relay/Contactor Kit, SP60 2HP, 1PH	X60154-2		
8	Tube, Support - Front (67mm)	X40153	2	
8A	Washer, Flat	-	2	M8
8B	Cap Screw, Socket Head	X30086	2	M8x108mm
9	Tube, Support - Rear (89mm)	X40085	2	
9A	Washer, Flat	-	2	M8
9B	Screw, Hex Head	X30010	2	M8x88mm
10	Switch, Membrane	X00567	1	
11	Control Panel Assembly	X00564	1	
12	Control Board	X00568	1	
13	Plate, Electronics Mounting	X30013	1	
14	Connecting Block Set	-	1	
	Connecting Block, Gray (2G)	X10029-2G	7	
	Connecting Block, Orange (4R)	X10029-4R	1	
	Connecting Block End Cap	X30012-EC	1	
15	Overload Relay Kit, 110/60/1	X30154	1	
	Overload Relay Kit, 220/60/1	X30154P		
16	Control Transformer Assembly	X00569	1	
17	Control Transformer Fuse (Not Shown)	X00570	1	
18	Tube, Support	X40153	2	
18A	Washer, Flat	-	2	M8
18B	Cap Screw, Socket Head	X30086	2	M8x108mm
19	Tube, Support	X40085	2	
19A	Washer, Flat	-	2	M8
19B	Screw, Hex Head	X30010	2	M8x88mm
20	4 Wire Harness With Connector	X00675	1	
21	Single Wire With Quick Connect	X00676	2	

SP60P ELECTRICAL DIAGRAM, 220V SINGLE PHASE



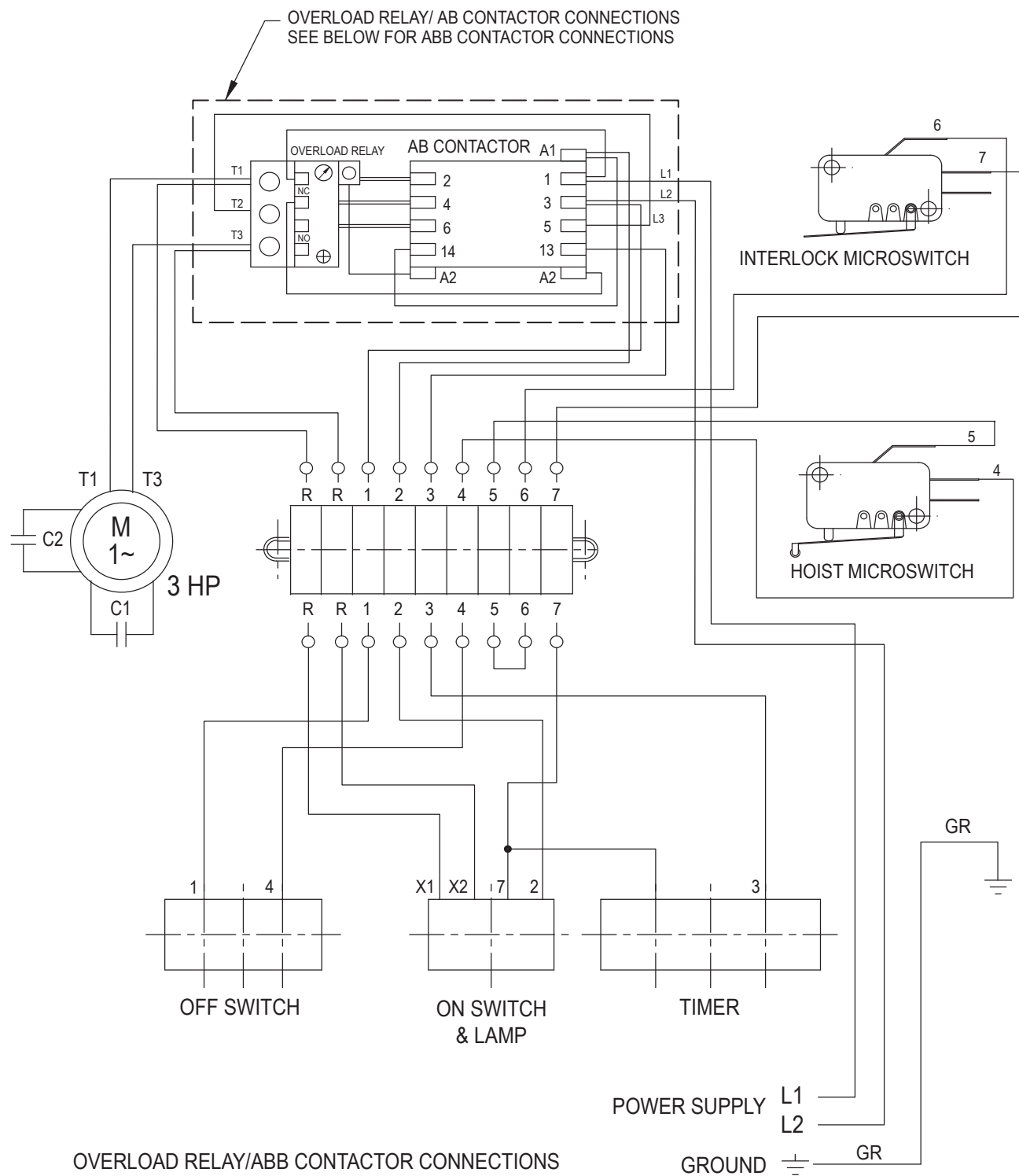
Item	Description	Qty
C1	Capacitor, Start	1
C2	Capacitor, Run	1
S1	Emergency Stop Button	1
S2	Start Button	1
S3	Microswitch (Bowl Lift)	1
S4	Microswitch (Interlock Guard)	1
K1	Contactors	1
K2	Timer	1
M1	Motor, 3HP Single Phase 220V	1

SP60P ELECTRICAL DIAGRAM, 208V THREE PHASE

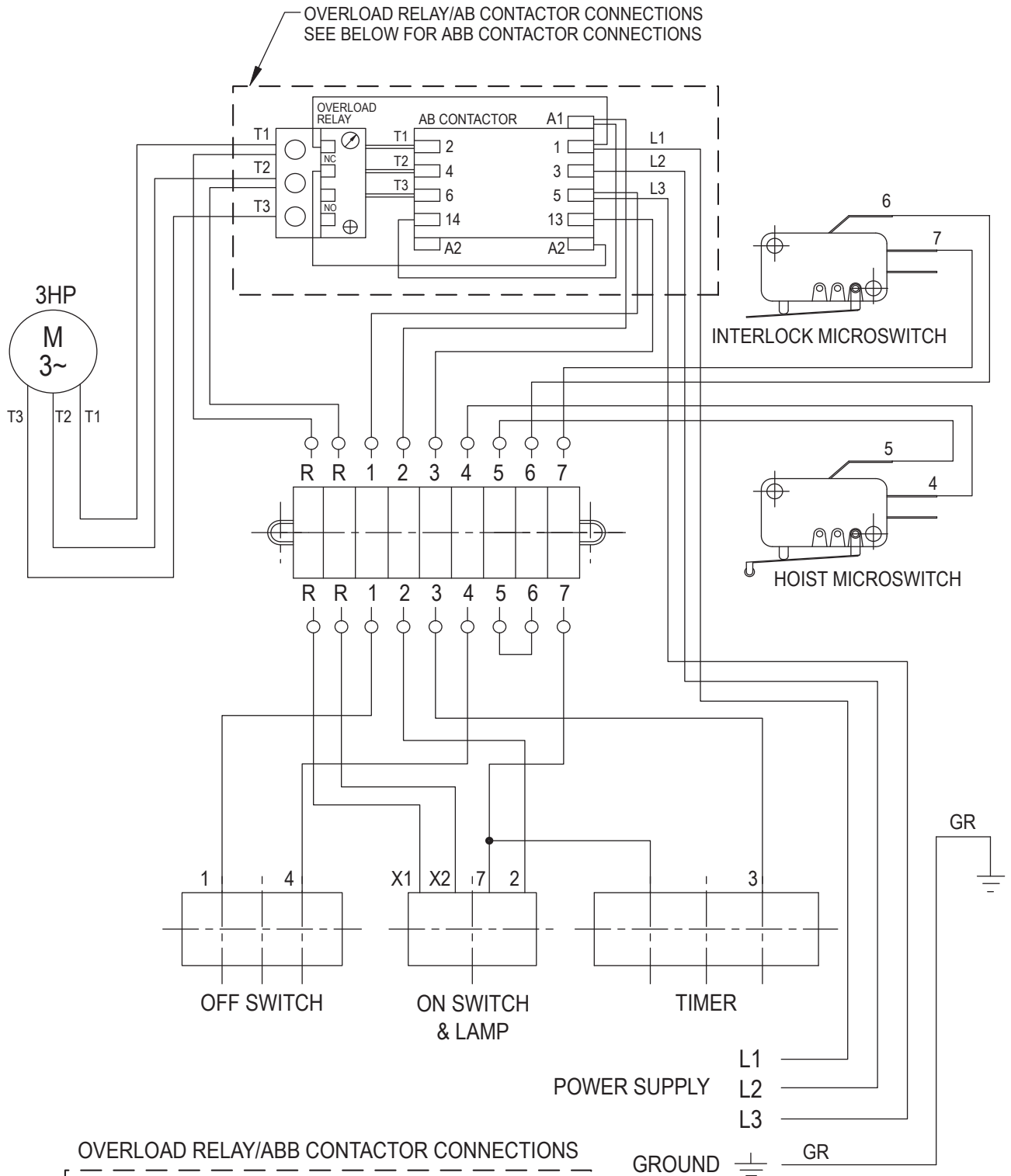


Item	Description	Qty
S1	Emergency Stop Button	1
S2	Start Button	1
S3	Microswitch (Bowl Lift)	1
S4	Microswitch (Interlock Guard)	1
K1	Contactor	1
K2	Timer	1
M1	Motor, 3HP Three Phase 208V	1

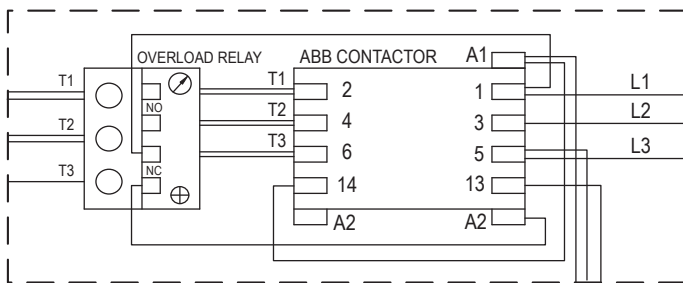
SP60P WIRING DIAGRAM, 220V SINGLE PHASE



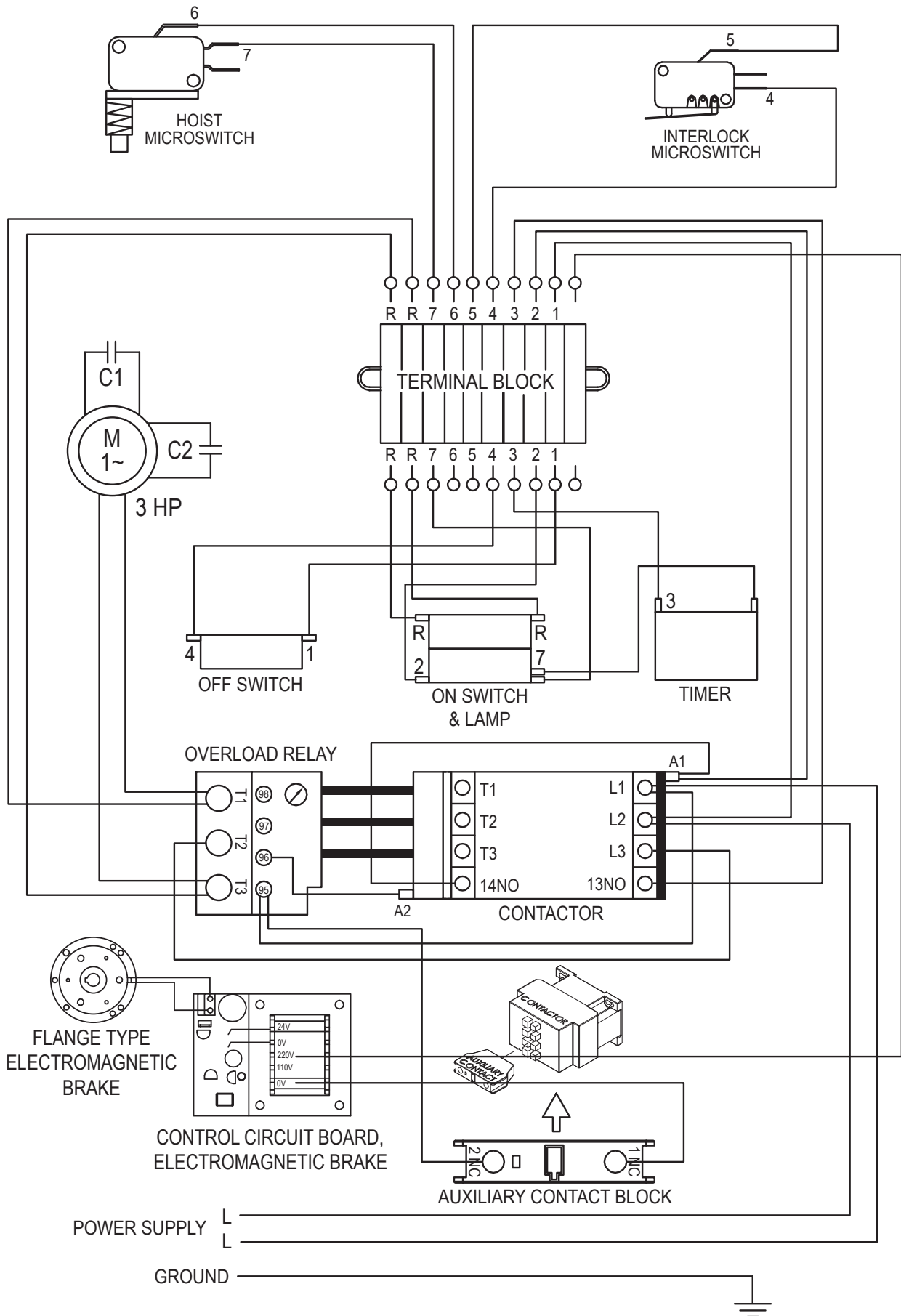
SP60P WIRING DIAGRAM, 208V THREE PHASE



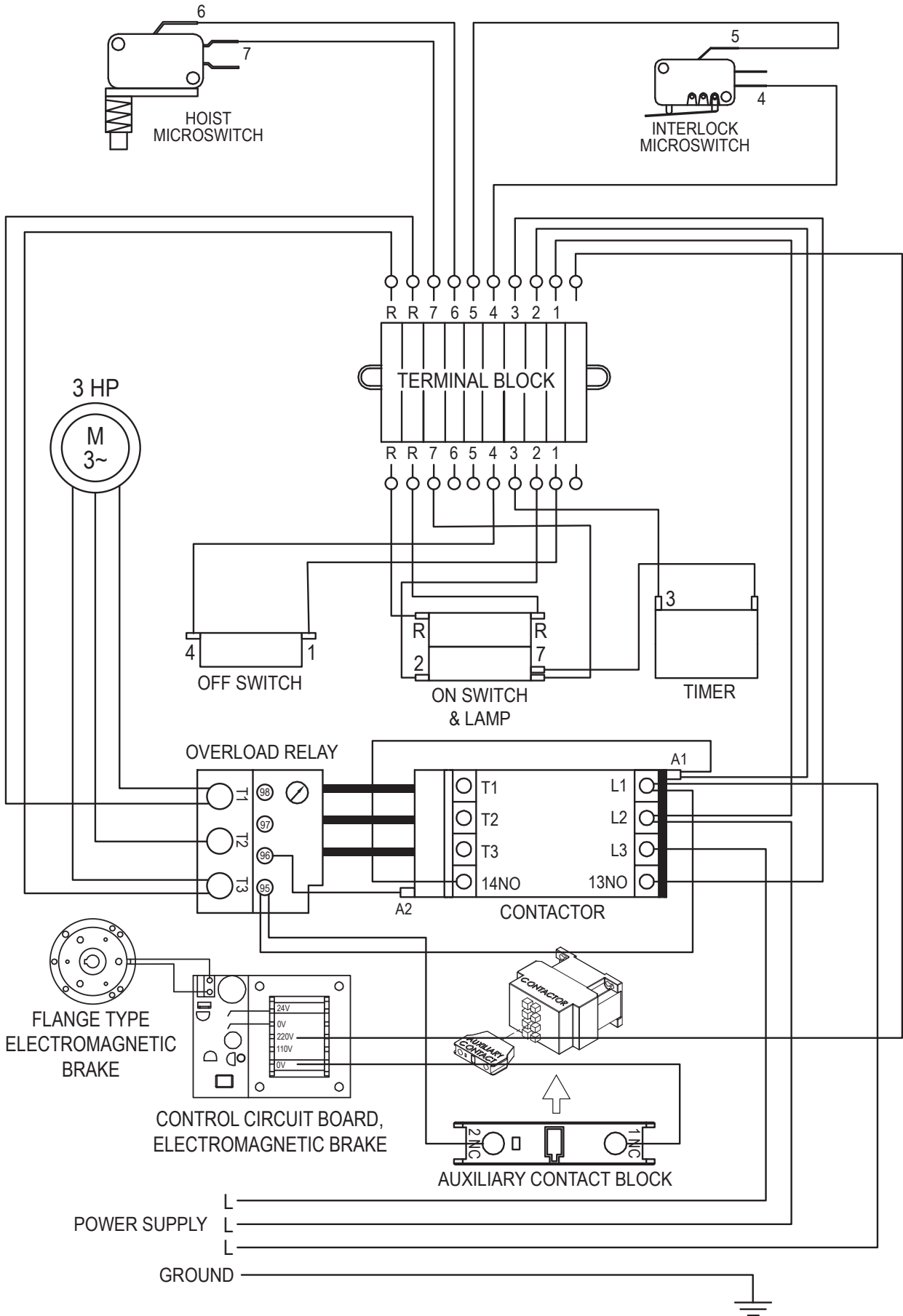
OVERLOAD RELAY/ABB CONTACTOR CONNECTIONS



SPC60P WIRING DIAGRAM, 220V SINGLE PHASE



SPC60P WIRING DIAGRAM, 208V THREE PHASE



SP/SPC60P WIRING DIAGRAM, 208V THREE PHASE

