



**PARTS LIST**  
**GAS CONVECTION COUNTER STEAMER**  
**MODEL SN-5G**



Revised July 12, 2011

**BLODGETT OVEN CO** • 44 lakeside Ave • Burlington, VT 05446  
Tel. 802-658-6600 • Fax 802-860-3732 • [www.blodgett.com](http://www.blodgett.com)

PARTS LIST, GAS CONVECTION COUNTER STEAMER, MODEL SN-5G

**FIGURE 1**

<b><u>ITEM</u></b>	<b><u>Part #</u></b>	<b><u>DESCRIPTION</u></b>	<b><u>QTY.</u></b>	
1.	41697	Hinge Rod	1	
2.	41690	Door Assembly	1	
3.	40201	Pan Rack	2	
4.	41198	Left Hand Side and Back Panel	1	
5.	40843	Rack Pin Assembly	4	
6.	40369	Steam Diverter	2	
7.	40114	Hex Nut	1	
8.	40112	Lock Washer	1	
9.	41632	Washer	1	
10.	41631	Striker	1	
11.	42542	Control Decal	1	
12.	40945	Pilot Light - Green	2	
13.	40950	Pilot Light - Red	1	
**	14.	42456	Dial - 60 Minutes	1
		42456	Dial - 120 Minutes	1
15.	41059	Compartment Strainer	1	
16.	41633	Perforated Door Trough	1	
17.	41182	Operation Instruction Decal	1	
**	18.	41860	Fuse, 2A, 250V, (120V Unit)	1
		41859	Fuse, 1A, 250V, (220V Unit)	1
19.	41844	Fuse Holder	1	
20.	41190	Component Mounting Board	1	
21.	41887	Operating Thermostat	1	
22.	42095	Relay	2	
23.	43174	Power Switch	1	
24.	40484	Buzzer	1	
25.	40707	End Section	1	

<u>ITEM</u>	<u>Part #</u>	<u>DESCRIPTION</u>	<u>QTY.</u>	
		40708	Terminal Block Section	2
	26.	40840	Ground Lug	1
**	27.	42452	Level Control, 10K, OHM, 120V	1
		40625	Level Control, 10K, OHM, 208V	1
		41063	Level Control, 1 M, OHM, (Optional)	1
		41064	Level Control, 1 M, OHM, 208V	1
	28.	41093	Ignition Module, (3 Try)	1
		40871	Wire Harness	1
	29.	42093	Relay	1
	30.	40076	Screw, 10-32 x 1/2	17
	31.	41197	Right Hand Side Panel	1
	32.	40443	Elbow, 3/8 c x 1/8 MPT.	2
	32A.	40441	Elbow, 1/4 c x 1/8 MPT	1
	33.	40424	Connector, 1/4 c x 1/8 MPT	1
	34.	41036	Solenoid Valve	2
	35.	42706	Cord Set, 120V	1
	36.	42137	Door Switch	1
		42285	Switch Actuator c/w Clip	1
**	37.	40972	Timer, 60 Minutes	1
		43275	Timer, 120 Minutes	1
	38.	43572	Hose Barb Elbow	2
**	39.	41052	Right Hand Steam Jet Tube	1
** *	39.	41053	Left Hand Steam Jet Tube	1
	40.	41359	Generator Tank	1
	41.	40879	High Limit Sensor	1
	42.	40450	Elbow, 1/2 c x 3/4 MPT	1
	43.	40601	Blowdown Solenoid	1
	44.	40421	Connector, 5/8 c x 3/4 MPT	1

PARTS LIST, GAS CONVECTION COUNTER STEAMER, MODEL SN-5G

<u>ITEM</u>	<u>Part #</u>	<u>DESCRIPTION</u>	<u>QTY.</u>	
45.	41044	Down Tube	1	
46.	43280	Elbow, 3/4"	1	
47.	43279	Nipple, 3/4" x 2 1/2"	1	
48.	41078	Relief Valve, 5 PSI	1	
49.	40794	Top Cover	1	
50.	43276	Plug, 3/4"	1	
51.	43277	Tee, 3/4"	1	
52.	43278	Close Nipple, 3/4"	1	
53.	40472	Probe - Low Level Cut Off	1	
54.	40470	Probe - High Level	1	
55.	40471	Probe - Low Level	1	
56.	43288	Flue Assembly	1	
57.	43419	Flue Cover Assembly	1	
58.	43018	Screw, 1/4 - 20 x 1/2	6	
**	59.	40406	Right Hand Union Connector, 1/2 C	1
*		40411	Left Hand Elbow, 1/2 C	1
***		43571	Hose Clamp	1
	60.	41881	Rotary Shaft Seal	1
**	61.	41194	Right Hand Side Riser	1
*	61.	41193	Left Hand Side Riser	1
	62.	41191	Front Riser	1
*		41192	Rear Riser	1
	63.	41135	Appliance Leg	4
*	64.	41142	Wire Harness	1
*	65.	40205	Thermostat Bulb Fitting	1
*	66.	40475	Water Supply Connector	2

\* NOT SHOWN.

\*\* SELECT AS REQUIRED.

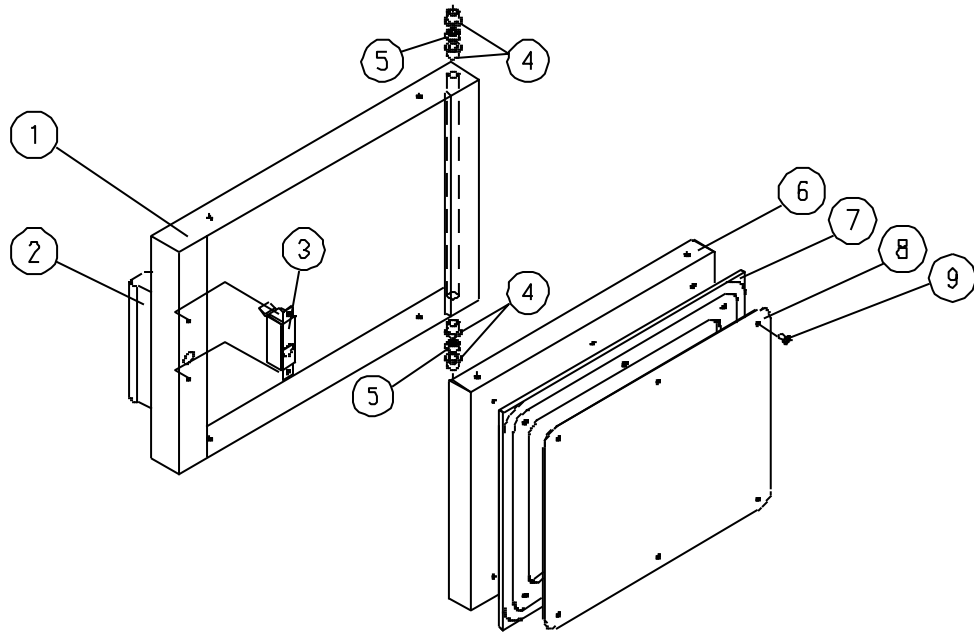


FIG. 2

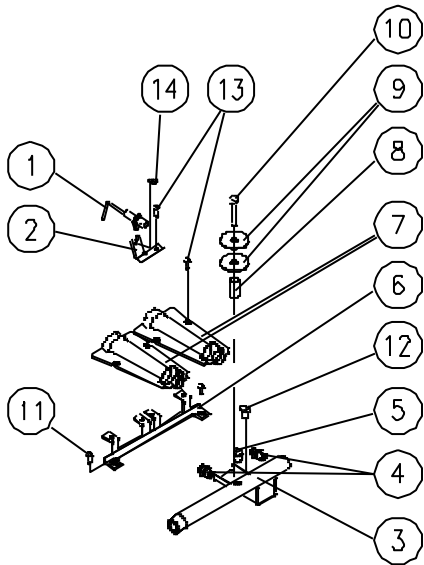


FIG. 3

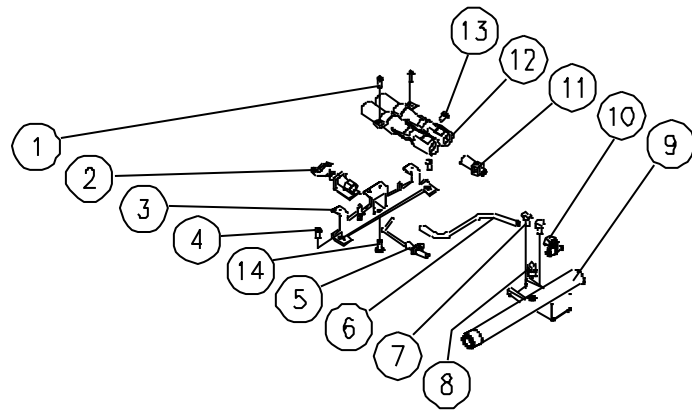


FIG. 4

PARTS LIST, GAS CONVECTION COUNTER STEAMER, MODEL SN-5G

**FIGURE 2**

<b><u>ITEM</u></b>	<b><u>Blod. #</u></b>	<b><u>DESCRIPTION</u></b>	<b><u>QUANTITY</u></b>
1.	41649	Door Frame	1
2.	41675	Door Handle Assembly	1
	42258	Door Handle Decal	1
3.	41679	Latch Assembly	1
4.	41699	Bushing	4
5.	43264	Spacer	2
6.	41671	Door Panel	1
7.	41657	Door Gasket	1
8.	41664	Gasket Plate	1
9.	41874	Gasket Panel Screws	8
10.	41690	Door Assembly	1

**FIGURE 3**

**BURNER PARTS, NATURAL GAS ONLY**

<b><u>ITEM</u></b>	<b><u>Part #</u></b>	<b><u>DESCRIPTION</u></b>	<b><u>QUANTITY</u></b>
1.	41035	Spark Electrode	1
2.	41033	Spark Electrode Bracket	1
3.	41184	Gas Manifold Assembly	1
4.	40386	Orifice #43	2
5.	41813	Plug, 1/8 NPT	1
6.	41185	Burner Mounting Bracket	1
7.	41183	Burner	2
8.	41056	Burner Support	1
9.	40270	Fender Washer, 1/4	2
10.	43015	Hex Cap Screw, 1/4 - 20 x 1 ½	1
11.	43005	Machine Screw, 10 - 32 x 3/8	2
12.	43420	Hex Cap Screw, 1/4 - 20 x ½	1
	43284	Lock Washer, 1/4	1
13.	43285	Machine Screw, 8 - 32 x 3/8	4
14.	43421	Machine Screw, 6 - 32 x 3/8	1

PARTS LIST, GAS CONVECTION COUNTER STEAMER, MODEL SN-5G

**FIGURE 4**

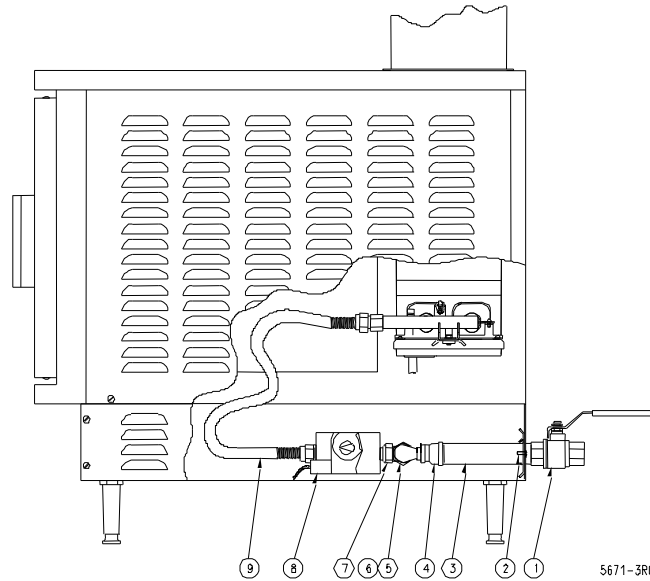
**BURNER PARTS - PROPANE GAS ONLY**

<b><u>ITEM</u></b>	<b><u>Part #</u></b>	<b><u>DESCRIPTION</u></b>	<b><u>QUANTIT Y</u></b>	
1.	43286	Hex Screw, 8 - 32 x 1/4	4	
2.	41094	Pilot Burner	1	
3.	41237	Burner Mounting Bracket	1	
4.	43010	Machine Screw	2	
5.	42446	Spark Electrode	1	
6.	42805	Pilot Tube	1	
7.	43422	Machine Bolt	2	
8.	41813	Plug, 1/8 NPT	1	
9.	41298	Gas Manifold Assembly	1	
10.	40441	Elbow, 1/4 C x 1/8 MPT	1	
11.	42736	Jet Orifice, #63	4	
12.	41238	Twin Burners	2	
13.	43002	Sheet Metal Screw	4	
14.	43011	Machine Screw	2	
*	15.	41362	Burner Kit, Natural to Propane Conversion	1

\* NOT SHOWN.



**FIGURE 5**



<b>ITEM</b>	<b>Blod. #</b>	<b>DESCRIPTION</b>	<b>QUANTITY</b>
1.	40551	Ball Valve, 3/4"	1
2.	43077	Screw, #10 - 32 x 12	2
3.	41187	Gas Supply Pipe Assembly	1
4.	41872	Reducing Coupling	1
5.	41790	90 Degree Street Elbow	1
6.	41779	Close Nipple, 1/2"	1
7.	40616	Union Elbow, 1/2"	1
**	41045	Combination Gas Control - Natural	1
	41046	Combination Gas Control - Propane	1
9.	41804	Flex Tube, 1/2" x 18	1

\*\* SELECT AS REQUIRED.