



# CATALOG OF REPLACEMENT PARTS

## SALAD DRYER



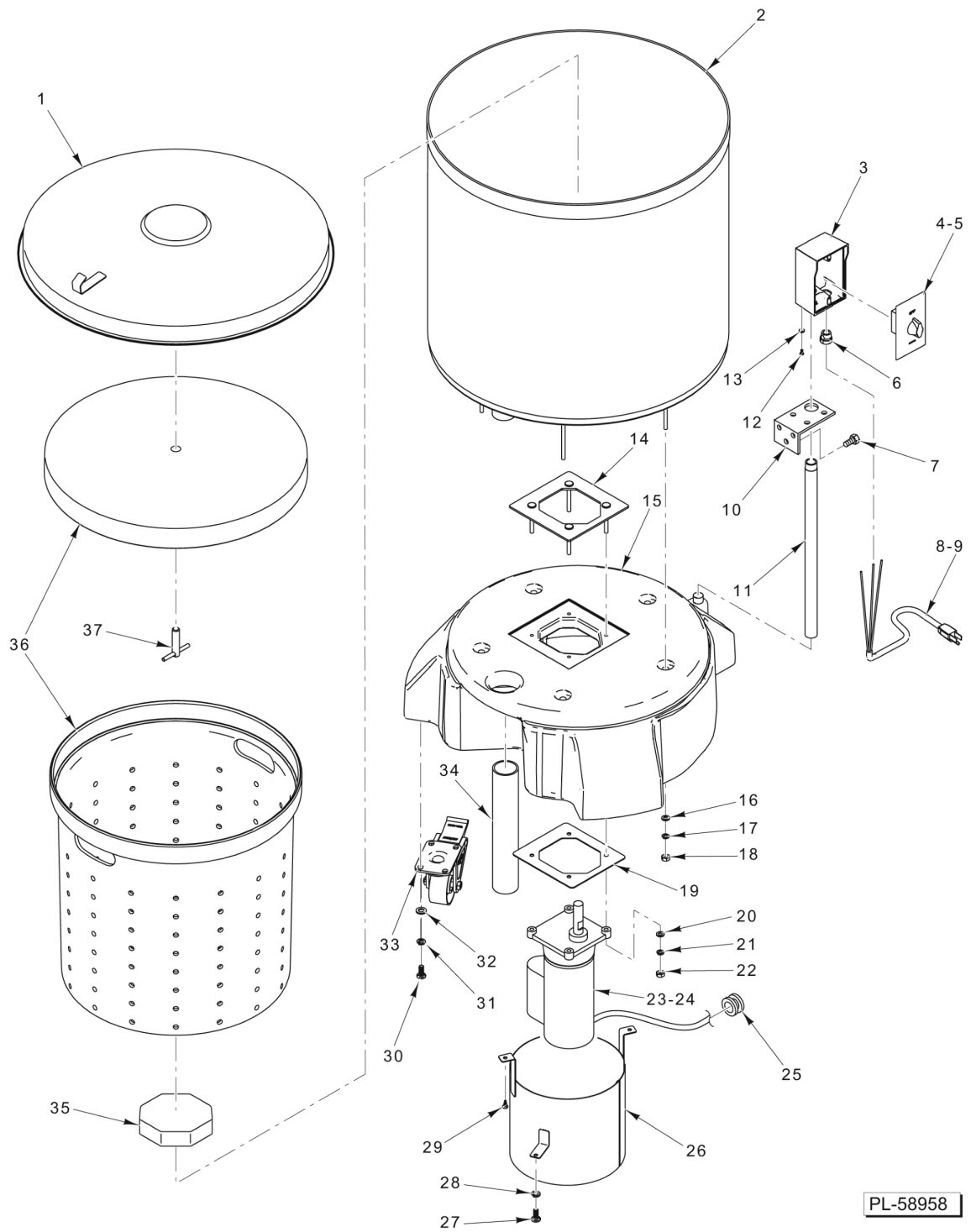
29976

SDPE  
ML-139107  
SDPS  
ML-139108



**Table of Contents**

5 SDPE SALAD DRYER  
7 SDPS SALAD DRYER

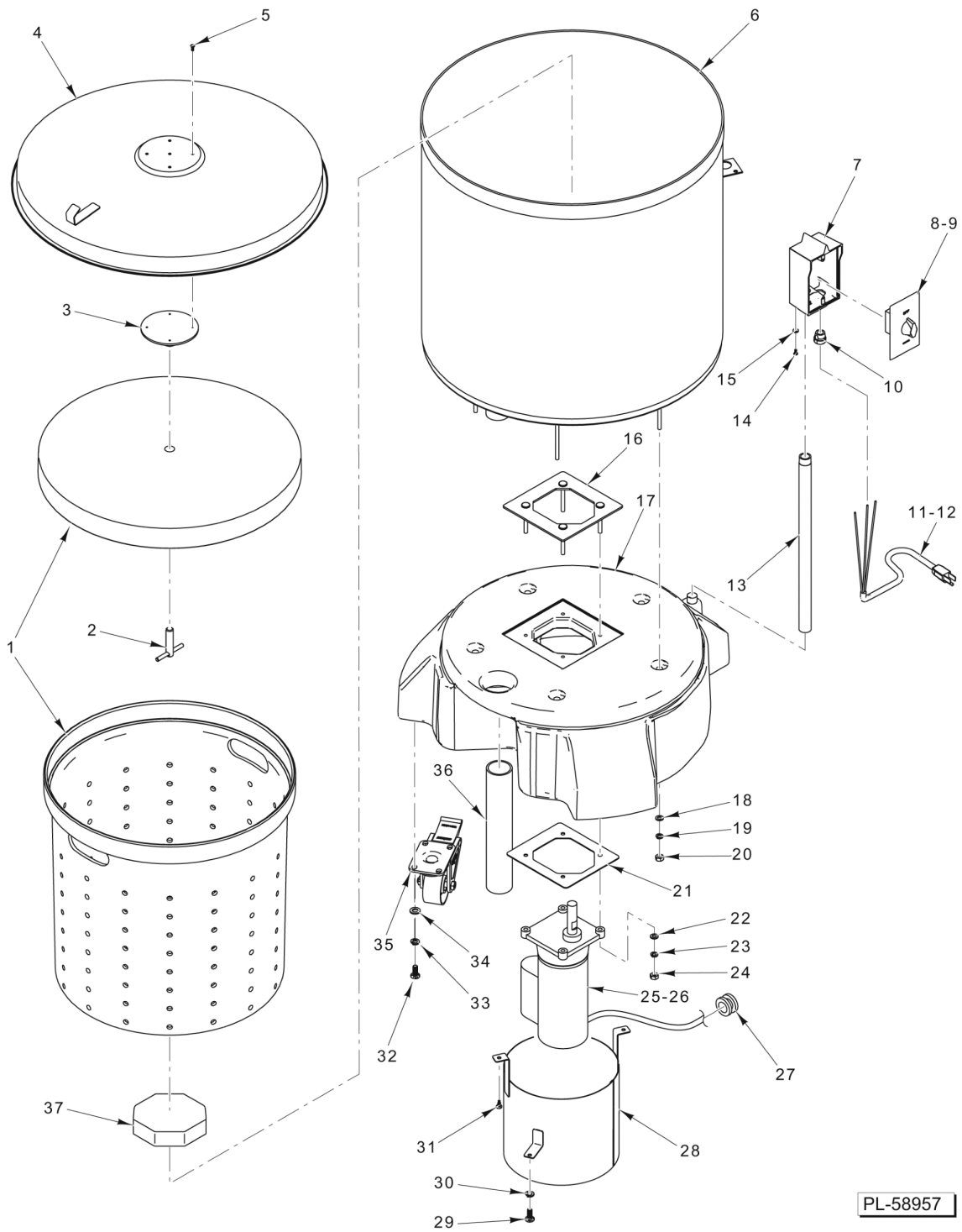


PL-58958

**SDPE SALAD DRYER**

## SDPE SALAD DRYER

ILLUS.	PART NO.	NAME OF PART	AMT.
1	01-505001-00HPE	Lid - Outer polyethylene (With Hook).....	1
2		Tub Polyethylene Not Available for Service.....	AR
3	01-505034-000PL	Box - Electrical Timer.....	1
4	01-505037-000PE	Timer Intermatic (Incls. Knob).....	1
5	01-505037-0000C	Cover - Timer.....	1
6	01-505036-000PE	Bushing - Cable Relief.....	1
7	01-505034-0000A	Mach. Screw Phil. Pan Hd.....	3
8	01-505039-000PE	Cord - Power Supply (115 V.).....	1
9	01-505039-00PEA	Cord - Power Supply (230 V.).....	1
10	01-505014-000PE	Bracket.....	1
11	01-505029-000PE	Pipe - Electrical Conduit.....	1
12	01-505043-000PS	Mach. Screw 8-18 Hex Hd.....	3
13	01-505011-0000A	Washer.....	3
14	01-505017-000PE	Mount - Top Motor.....	1
15	01-915052	Base - Polyethylene (Grey).....	1
16	01-505044-000PS	Washer.....	10
17	01-505012-00001	Lockwasher.....	5
18	01-505012-00002	Nut.....	5
19	01-505017-00BPE	Plate - Motor Mount Bottom.....	1
20	01-505044-000PS	Washer.....	8
21	01-505012-00003	Lockwasher.....	4
22	01-505012-00002	Nut.....	4
23	01-505026-000PE	Motor - Gear (115 V., 60 Hz., 1 Ph.).....	1
24	01-505026-00PEA	Motor - Gear (230 V., 60 Hz., 1 Ph.).....	1
	01-505026-00PEB	Motor - Gear (230 V., 50 Hz., 1 Ph.).....	1
25	01-505028-000PE	Grommet - Rubber (Not used after Serial Number 311509672).....	1
26	01-505022-000PE	Splash Guard - Motor (Not used after Serial Number 311509672).....	1
27	01-505012-00004	Mach. Screw Hex Hd.....	1
28	01-505012-00003	Lockwasher.....	1
29	01-505034-0000A	Mach. Screw Phil. Pan Hd.....	2
30	01-505043-000PS	Mach. Screw 8-18 Hex Hd.....	4
31	01-505012-00003	Lockwasher.....	4
32	01-505011-0000A	Washer.....	8
33	01-505042-000PE	Caster.....	3
34	01-505013-0000A	Drain - Pipe Extension Hose.....	1
35	01-505027-000PE	Driver - Octagonal.....	1
36	01-505009-00001	Basket - Dryer (Incls. Lid).....	1
37	01-505006-000PE	T-Handle Assy.....	1



PL-58957

**SDPS SALAD DRYER**

## SDPS SALAD DRYER

ILLUS. PL-58957	PART NO.	NAME OF PART	AMT.
1	01-505009-00001	Basket - Dryer (Incls. Lid).....	1
2	01-505006-000PE	T-Handle Assy.....	1
3	01-505005-000PS	Mount -Bearing.....	1
4	01-505000-000PS	Lid - Complete Assy. (SST) (With Hook) (Incls. Items 3 & 5).....	1
5	01-505004	Screw Slotted Pan Hd.....	4
6	01-505011-000PS	Shell - Drum (SST).....	1
7	01-505034-000PS	Timer Box - Electrical.....	1
8	01-505037-000PE	Timer - Intermatic (Incls. Knob).....	1
9	01-505037-0000C	Cover - Timer.....	1
10	01-505036-000PE	Bushing - Cable Relief.....	1
11	01-505039-000PE	Cord - Power Supply (115 V.).....	1
12	01-505039-00PEA	Cord - Power Supply (230 V.).....	1
13	01-505029-000PS	Conduit - Electrical Pipe.....	1
14	01-505043-000PS	Mach. Screw 8-18 Hex Hd.....	3
15	01-505011-0000A	Washer.....	3
16	01-505017-000PE	Mount -Top Motor.....	1
17	01-915052	Base - Polyethylene (Grey).....	1
18	01-505044-000PS	Washer.....	10
19	01-505012-00001	Lockwasher.....	5
20	01-505012-00002	Nut.....	5
21	01-505017-00BPE	Plate - Motor Mount Bottom.....	1
22	01-505044-000PS	Washer.....	8
23	01-505012-00003	Lockwasher.....	4
24	01-505012-00002	Nut.....	4
25	01-505026-000PE	Motor - Gear (115 V., 60 Hz., 1 Ph.).....	1
26	01-505026-00PEA	Motor - Gear (230 V., 60 Hz., 1 Ph.).....	1
	01-505026-00PEB	Motor - Gear (230 V., 50 Hz., 1 Ph.).....	1
27	01-505028-000PE	Grommet - Rubber (Not used after Serial Number 311509672).....	1
28	01-505022-000PE	Splash Guard - Motor (Not used after Serial Number 311509672).....	1
29	01-505012-00004	Mach. Screw Hex Hd.....	1
30	01-505012-00003	Lockwasher.....	1
31	01-505034-0000A	Mach. Screw Phil. Pan Hd.....	2
32	01-505043-000PS	Mach. Screw 8-18 Hex Hd.....	4
33	01-505012-00003	Lockwasher.....	4
34	01-505011-0000A	Washer.....	8
35	01-505042-000PE	Caster.....	3
36	01-505013-0000A	Drain - Pipe Extension Hose.....	1
37	01-505027-000PE	Driver - Octagonal.....	1

