

# Parts Catalog



PP4

## Patty Press

MODEL: PP4 - 4 in. diameter

PP5 - 5 in. diameter

04-14-14

IMPORTANT!

TO EXPEDITE SHIPMENT OF PARTS, ALWAYS SPECIFY MODEL, REV  
AND PART NUMBER OF SLICERS.

### **GLOBE FOOD EQUIPMENT COMPANY**

2215 East River Road

Dayton, Ohio 45439

#### **Parts Department**

Toll Free 1-800-745-6238 • Fax (937) 290-0585

E-Mail: [info@globefoodequip.com](mailto:info@globefoodequip.com)

Website: [www.globefoodequip.com](http://www.globefoodequip.com)

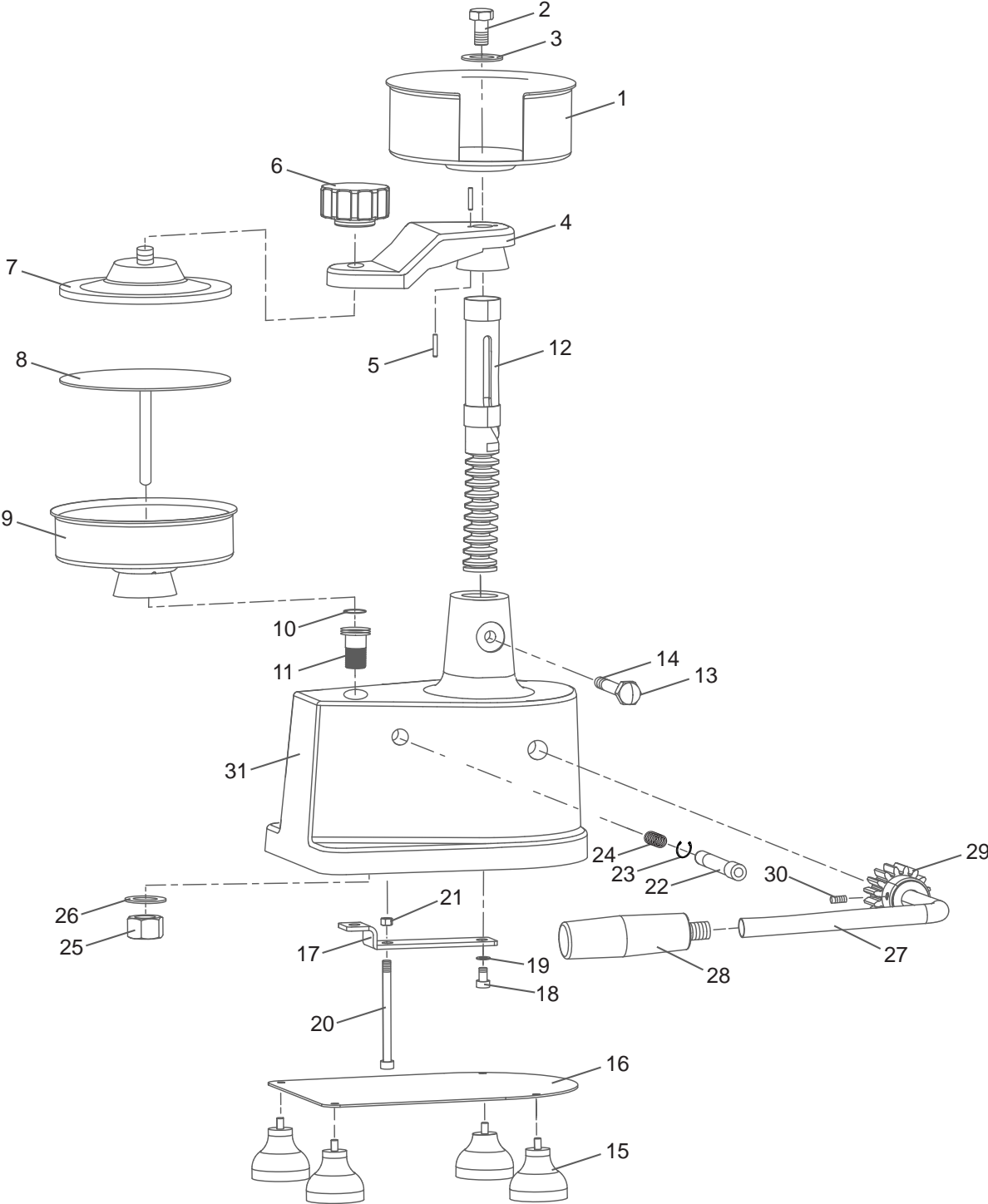
Not for resale



# TABLE OF CONTENTS

	Page
<u>PP4/PP5 Patty Press Components</u>	<u>1-2</u>

# PP4/PP5 PATTY PRESS COMPONENTS



## PP4/PP5 PATTY PRESS COMPONENTS

Item	Description	Qty	Part Number	Hardware
1	Paper Tray 4"	1	N00618	
	Paper Tray 5"	1	N00619	
2	Hex Head Screw	1	H00607	M10x35
3	Washer	1	H00604	M10 Large
4	Presser Arm	1	N00620	
5	Pin	2	N00603	
6	Presser Knob	1	N00608	
7	Upper Presser 4"	1	N00616	
	Upper Presser 5"	1	N00617	
8	Food Tray 4"	1	N00614	
	Food Tray 5"	1	N00615	
9	Lower Presser 4"	1	N00612	
	Lower Presser 5"	1	N00613	
10	O-ring Seal	1	H00605	14.75 mm, OD
11	Food Tray Attachment	1	N00625	M16x30, M22x1
12	Presser Arm Shaft	1	-	
13	Acorn Nut	1	H00606	M10
14	Bolt	1	N00609	
15	Leg	4	N00610	
16	Bottom Board	1	-	
17	Board	1	-	
18	Hex Head Cap Screw	1	H00021	M6x10
19	Washer	1	H00014	M6
20	Hex Head Bolt	1	H00621	M6x90
21	Hex Nut	1	H00020	M6
22	Push bar	1	-	
23	E-Clip	1	H00602	NOM. DIA. 10 mm
24	Spring	1	-	
25	Thick Hex Nut	1	H00622	M16x2
26	Washer	1	H00624	M16
27	Shaft Handle	1	-	
28	Handle	1	N00611	
29	Gear	1	-	
30	Gear Set Screw	1	-	
31	Body	1	-	
32	Globe Logo	1	910265	

