

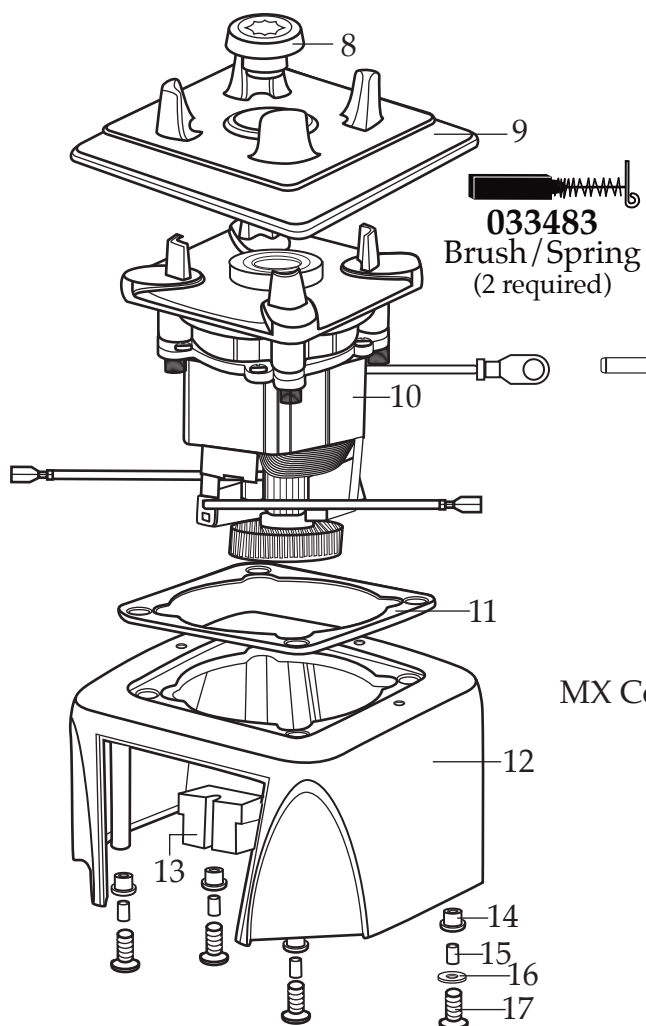


Xtreme Blender with Electronic Membrane Keypad and a 30 Second Electronic Countdown Timer with a 64 oz. Stackable Raptor Container

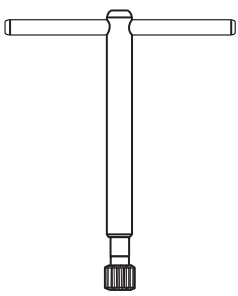
MX1100XTX SUP1100XTX

Superior/ US Foods

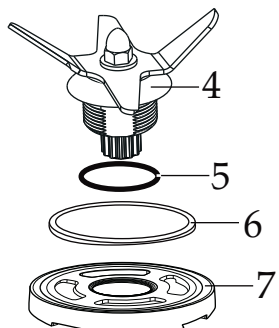
Unit Information
Limited 3 Year Motor Warranty Two Year Parts & Labor
60Hz - 13 Amps
3 HP Motor - 30,000+ RPM's
One Piece Dishwasher Safe Removable Jar Pad



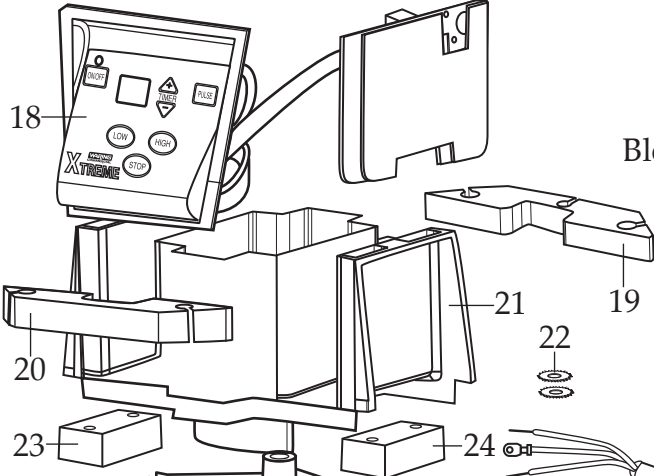
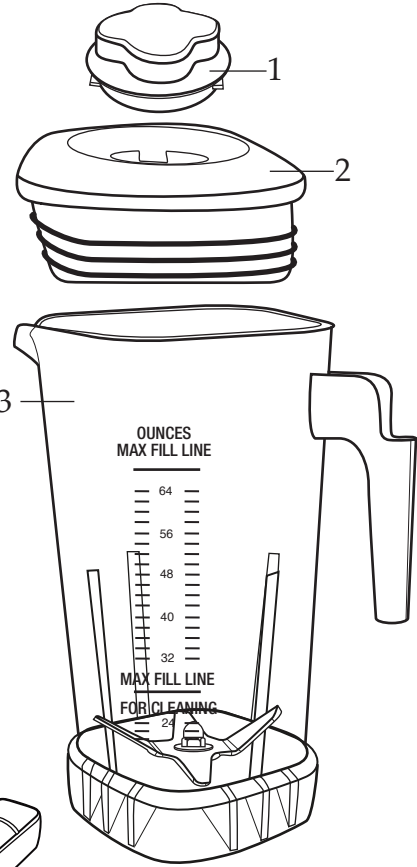
033483
Brush/Spring
(2 required)



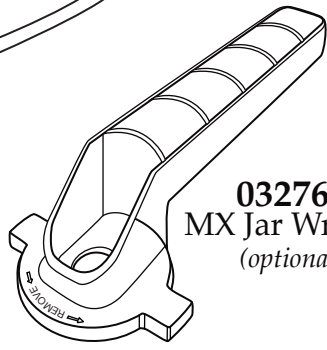
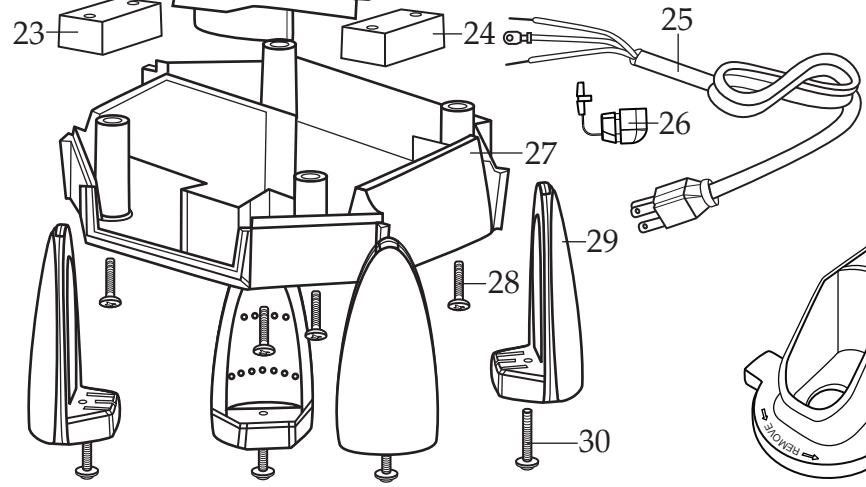
503351
MX Coupling Wrench
(optional)



030889
Blending Assembly Kit



013304
NSF Seal



032761
MX Jar Wrench
(optional)

Catalog
MX1100XTX
SUP1100XTX

Model
MX1100XT41



Illustration #	Part #	Description
1	026425-E	Jar Lid Cover
2	026424-V	Vinyl Jar Lid <i>(changed after 12/17/2012)</i>
3	503326	64 oz. Stackable Raptor Container ONLY
	503398	64 oz. Stackable Raptor Container with Blending Assembly
	503350	64 oz. Stackable Container with Blending Assembly <i>(on units before 3/1/2011)</i>
4	503397	Blade Assembly <i>(changed after 3/1/2011)</i>
5	024271	Bearing Holder O Ring
6	024268	Nut Gasket
7	029631	Bearing Holder Nut
8	028538	Drive Coupling
9	026442	Jar Pad
10	028100	Motor
11	026437	Dampening Plate Gasket
12	028032-09	Black Top Housing
13	028541	Motor Foam (2 required)
14	026439	Dampening Plate Bushing (4 required)
15	026453	Dampening Plate Sleeve (4 required)
16	026459	Washer
17	028929	Screw (4 required)
18	029810	Soft Start Control Panel <i>(changed after 12/30/2011)</i>
19	028248	Housing Foam Rear Baffle
20	028249	Housing Foam Front Baffle
21	028240	Motor Housing
22	002943	Washer (2 required)
23	028247	Bottom Housing Foam Baffle
24	028542	Foam Baffle
25	026925	Cord Set
26	007556	Strain Relief
27	028241-09-X	Black Bottom Housing
28	012505	Screw (4 required)

Catalog
 MX1100XTX
 SUP1100XTX

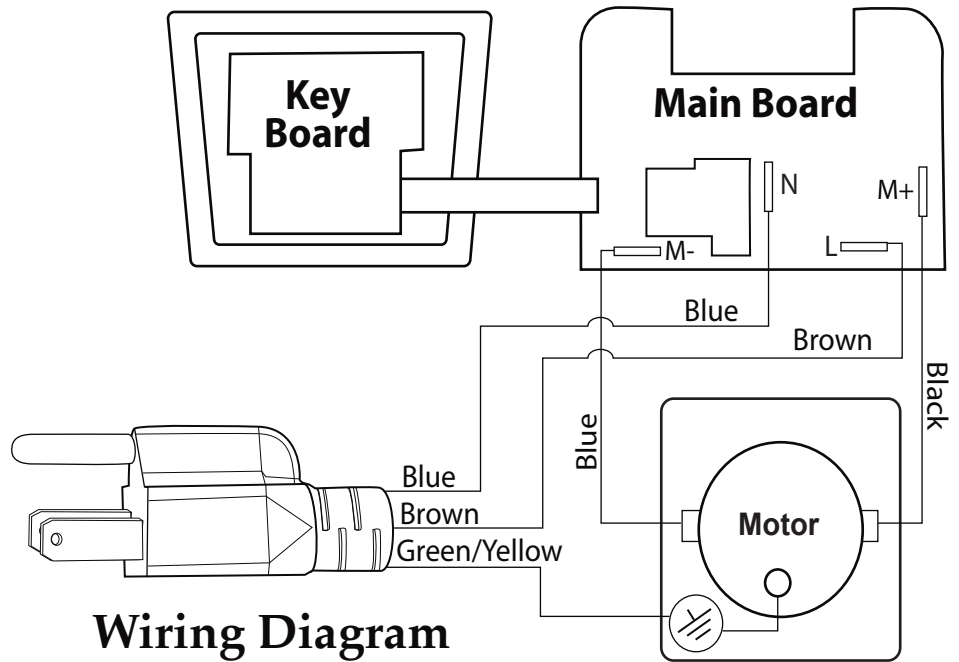
Model
 MX1100XT41

Waring Factory Service Center
 314 Ella T. Grasso Ave.
 Torrington, CT 06790
 Tele. 1-800-269-6640
 Fax 860-496-9017
 www.waringcommercialproducts.com

Illustration # Part # Description

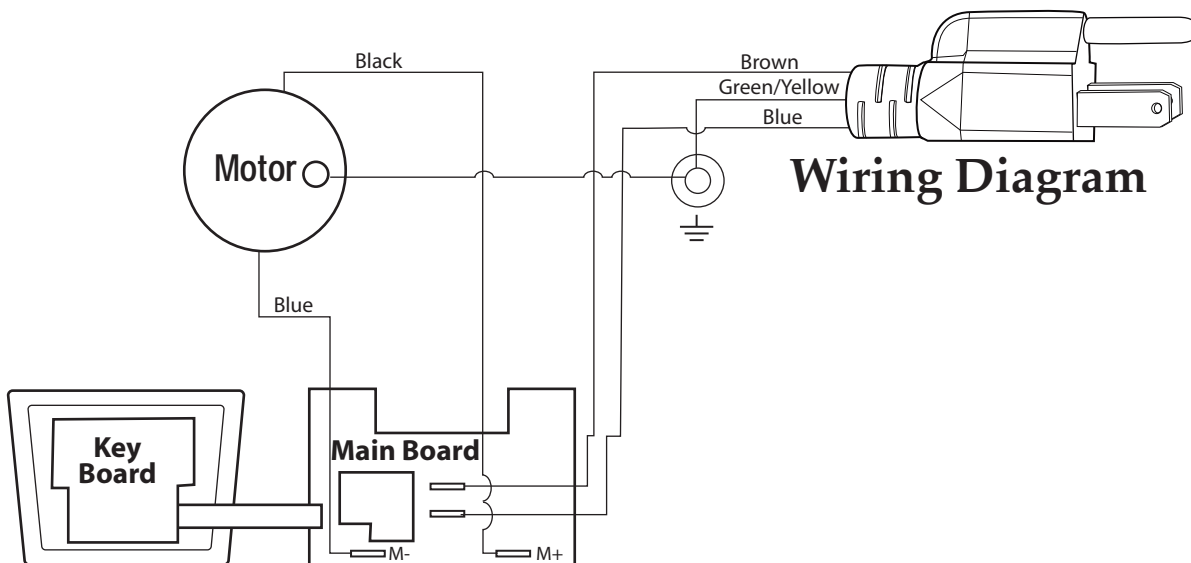
29 026430 Corner Post (4 required)

30 028928 Screw (4 required)



Wiring Diagram

(on units after 10/24/2012)



Wiring Diagram