

WARING COMMERCIAL MX1050TXP

48 oz. stackable Raptor container

Unit Information
 Limited 3 Year Motor Warranty
 Two Year Parts & Labor
 60Hz – 13 Amps
 Height 19" – Weight 15 lbs.
 3 HP Motor
 30,000+ RPM's
 One Piece Dishwasher Safe
 Removable Jar Pad

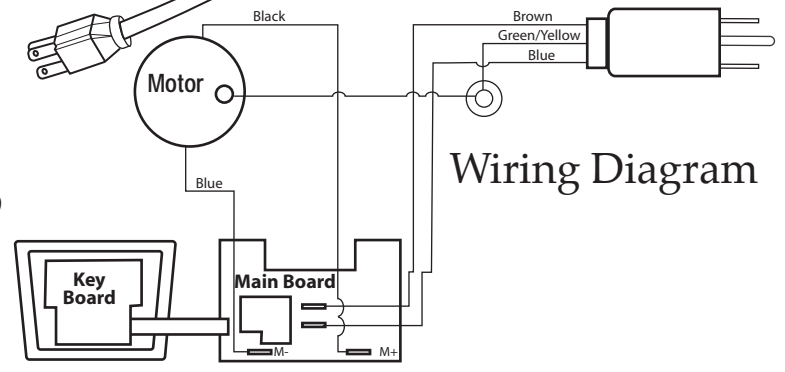
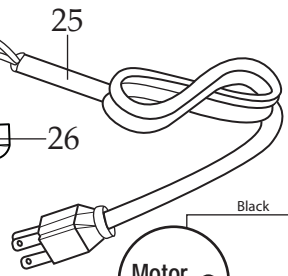
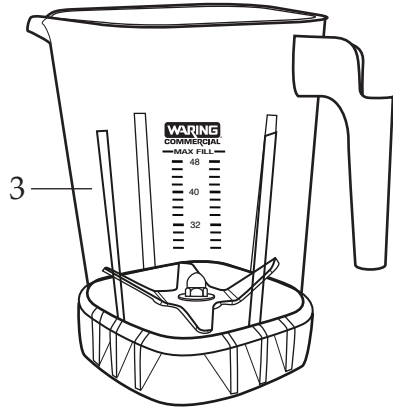
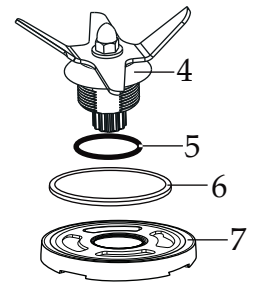
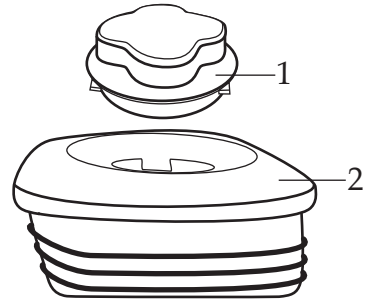
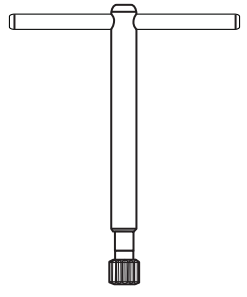
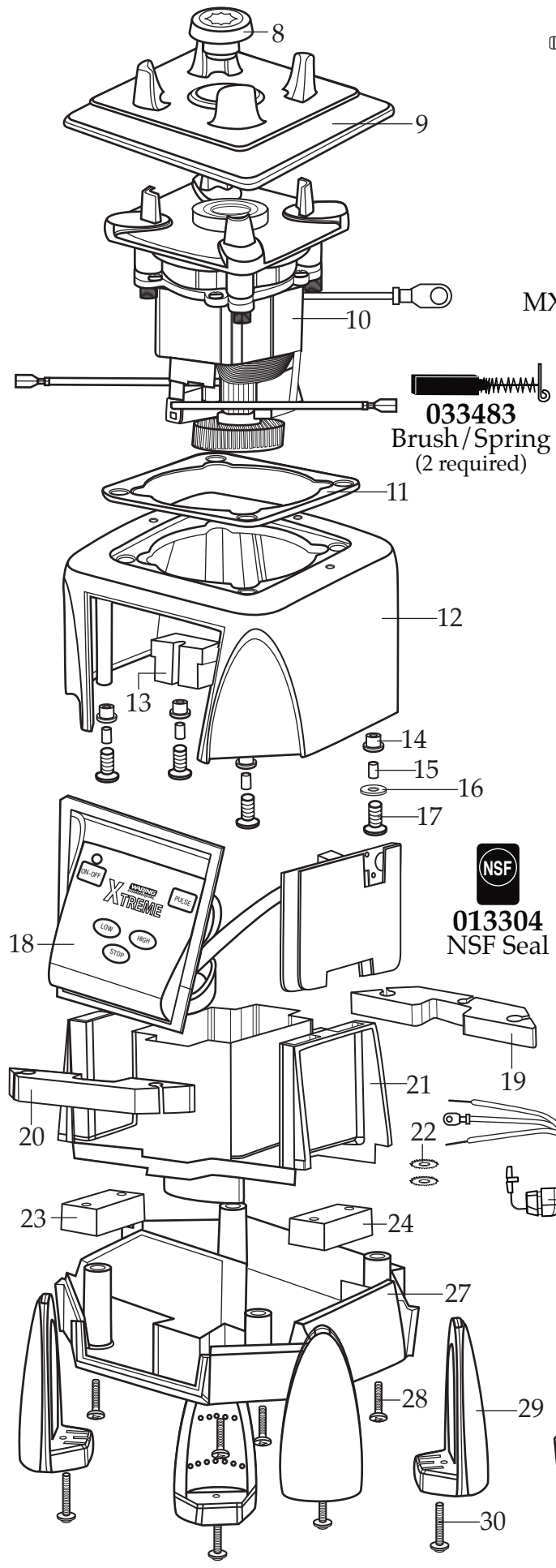
503351
 MX Coupling Wrench
 (optional)

033483
 Brush/Spring
 (2 required)

030889
 Blending Assembly Kit

013304
 NSF Seal

032761
 MX Jar Wrench
 (optional)



| Illustration # | Part # | Description |
|-----------------------|---------------|--|
| 1 | 026425-E | Jar Lid Cover |
| 2 | 026424-V | Jar Lid |
| 3 | 030888 | Jar ONLY (48 oz. stackable Raptor) |
| | 503439 | Jar with Blending Assembly (48 oz. stackable Raptor) |
| 4 | 503397 | Blade Assembly |
| 5 | 024271 | Bearing Holder O Ring |
| 6 | 024268 | Nut Gasket |
| 7 | 029631 | Bearing Holder Nut |
| 8 | 028538 | Drive Clutch |
| 9 | 026442 | Jar Pad |
| 10 | 028100 | Motor |
| 11 | 026437 | Dampening Plate Gasket |
| 12 | 028032-09 | Top Housing (black) |
| 13 | 028541 | Motor Foam (2 required) |
| 14 | 026439 | Dampening Plate Bushing (4 required) |
| 15 | 026453 | Dampening Plate Sleeve (4 required) |
| 16 | 026459 | Washer |
| 17 | 028929 | Screw (4 required) |
| 18 | 029809 | Soft Start Control Panel |
| 19 | 028248 | Housing Foam Rear Baffle |
| 20 | 028249 | Housing Foam Front Baffle |
| 21 | 028240 | Motor Housing |
| 22 | 002943 | Washer (2 required) |
| 23 | 028247 | Bottom Housing Foam Baffle |
| 24 | 028542 | Foam Baffle |
| 25 | 026925 | Cord Set |
| 26 | 007556 | Strain Relief |
| 27 | 028241-09-x | Bottom Housing (black) |
| 28 | 012505 | Screw (4 required) |
| 29 | 026430 | Corner Post (4 required) |
| 30 | 028928 | Screw (4 required) |