

# Parts Catalog



**S13**

## **S-Series Slicer Manual**

**Model: S13**

04/03/2017 Rev. F

IMPORTANT!

TO EXPEDITE SHIPMENT OF PARTS, ALWAYS SPECIFY MODEL, REV,  
PART NUMBER, AND SERIAL NUMBER OF UNIT.

## **GLOBE FOOD EQUIPMENT COMPANY**

2215 East River Road  
Dayton, Ohio 45439

### **Parts Department**

Toll Free 1-800-745-6238 · Fax (937) 290-0585

E-Mail: [info@globefoodequip.com](mailto:info@globefoodequip.com)

Website: [www.globefoodequip.com](http://www.globefoodequip.com)

Not for resale

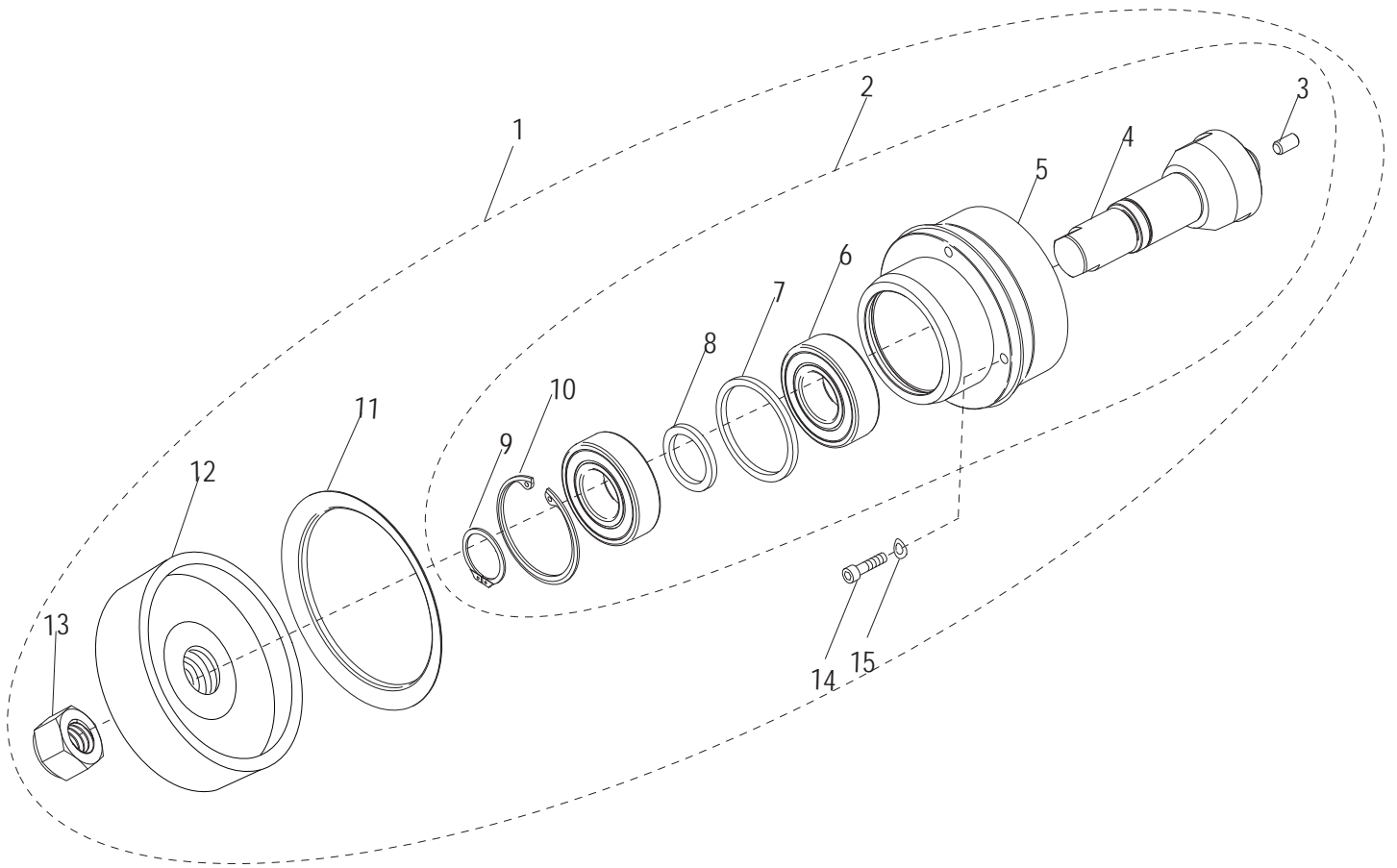


# Table of Contents

Description	Page
Knife Drive Assembly Components	4
Index Knob Components	6
Base Shroud Components	8
Gauge Plate Components	10
Index Slide Assembly Components	12
Ring Guard Assembly Components	14
Electrical Base Components	16
Knife Drive Motor Components	18
Transport Arm Assembly Components	20
Lift Lever Base Components	22
Carriage and End Weight Assembly Components	24
Knife and Knife Cover Components	26
Sharpener Assembly Components	36
Wiring Schematic	30



# Knife Drive Assembly Components





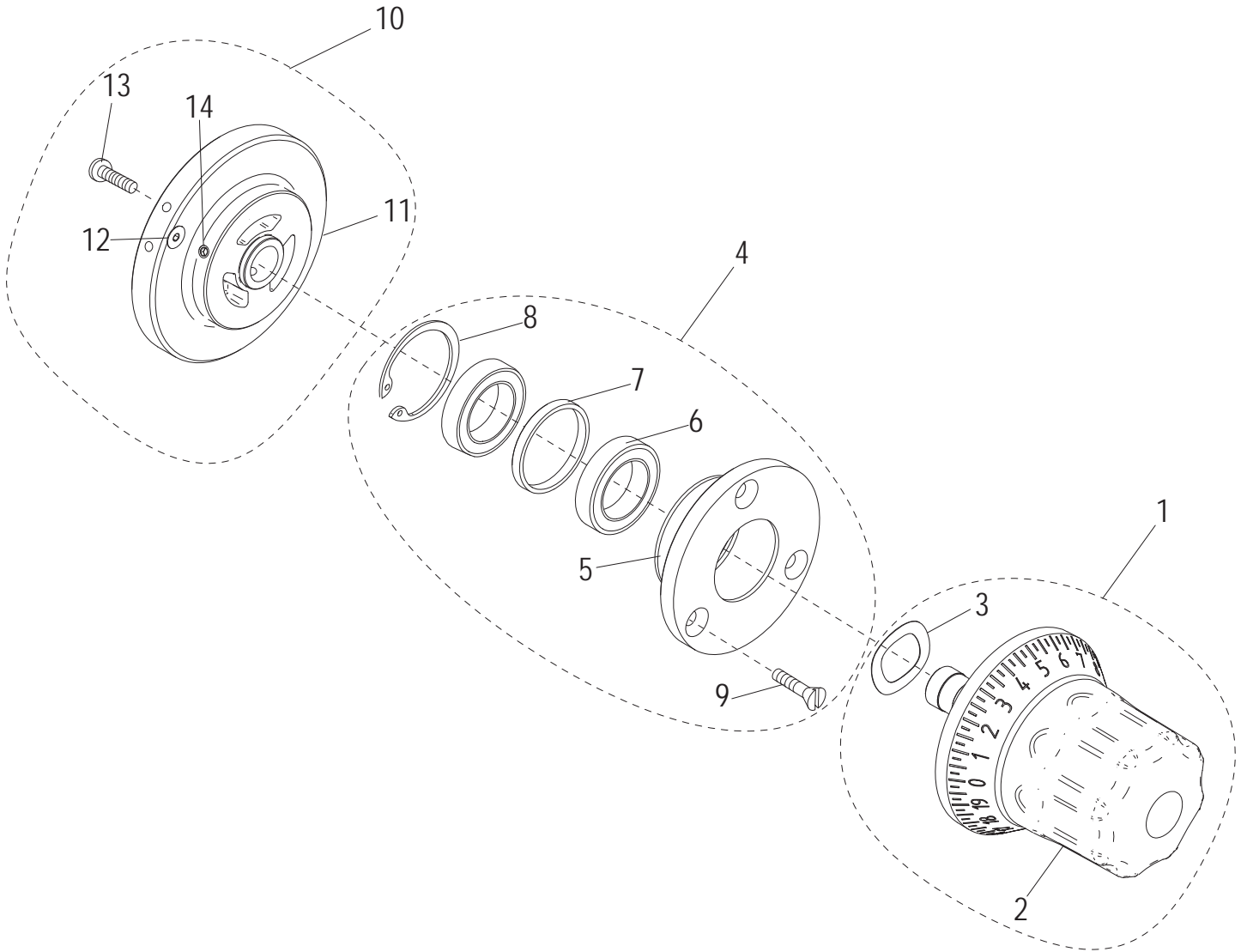
## Knife Drive Assembly Components

---

Item	Part Number	Description	Qty	Serial Number
1	450211	Knife Drive Assembly (Incl. items 2-15)	1	
2	420088	Knife Drive Bearing Assembly (Incl. items 3-10)	1	
3		Knife Cover Bumper	1	
4		Shaft, Knife Drive	1	
5		Knife Drive Bearing Mount	1	
6		Ball Bearing, Sealed	2	
7		Outer Ring, Bearing Spacer	1	
8		Inner Ring, Bearing Spacer	1	
9		Retaining Ring 5101-98 Bowed External	1	
10		Retaining Ring N5002-200	1	
11	520244	Knife Drive Boot	1	
12	450115	Knife Drive Pulley	1	
13	510033	Nut 7/8-20 Hex (Zinc)	1	
14	810229	Socket Hd. 1/4-20x3/4 Cap Screw, SST	4	
15	810275	Bellville Disc Spring Washer .255 ID x .50 OD	4	



# Index Knob Components



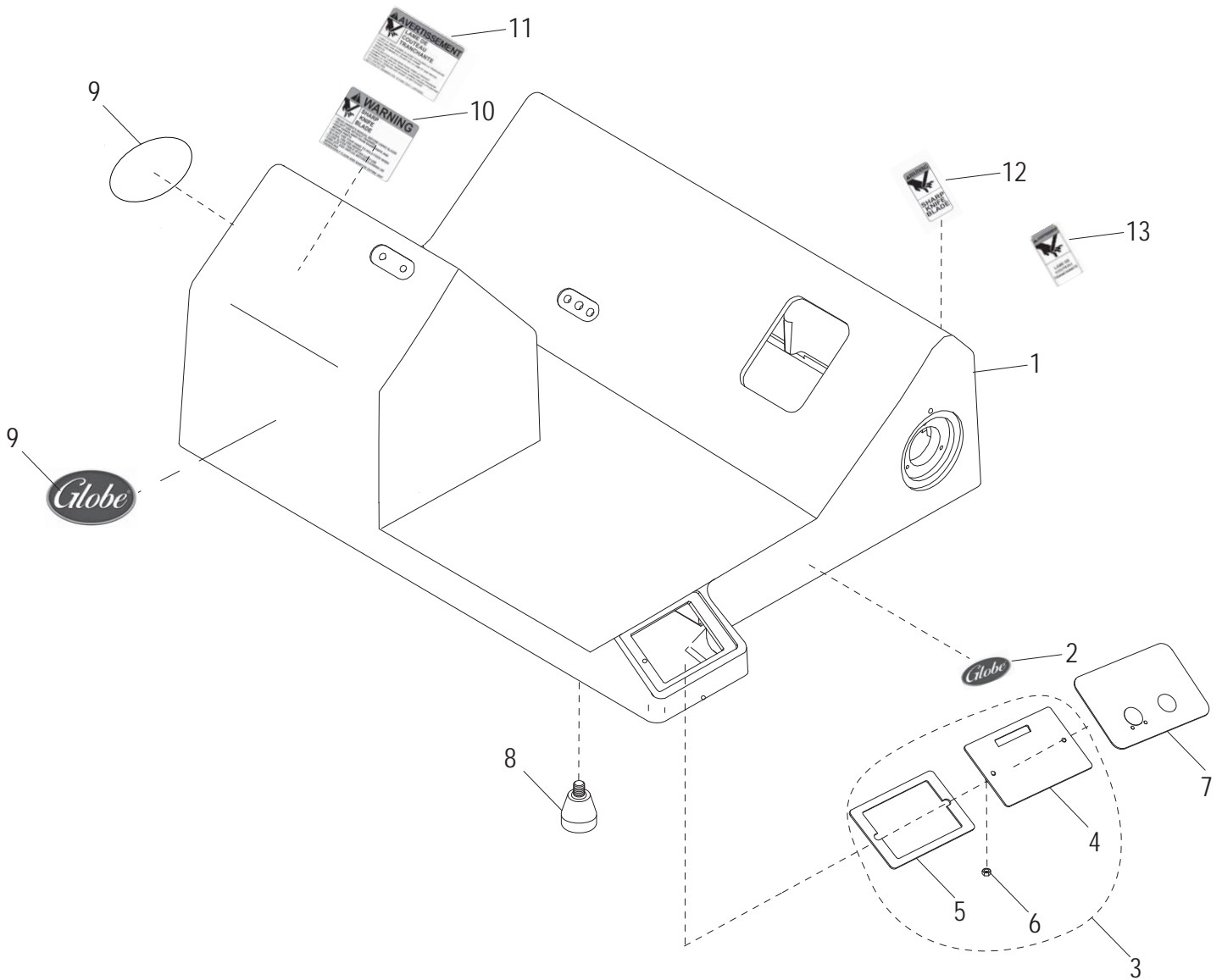


## Index Knob Components

Item	Part Number	Description	Qty	Serial Number
1	500044	Index Knob Assembly (Incl. items 2-3)	1	
2	500022	Index Knob	1	
3	800136	Index Knob Tension Spring	1	
4	450151	Index Bearing Hub Assembly (Incl. items 5-9)	1	
5		Index Knob Bearing Hub	1	
6		Index Knob Bearing	2	
7		Spacer, Index Bearing	1	
8		Beveled Retaining Ring	1	
9	800104	Mach. Screw #10-24x5/8 Flat Hd Slotted	3	
10	500050	Index Cam Assembly (Incl. items 11-14)	1	
11	520350	Index Cam	1	
12		Socket Cap Screw #10-32x3/4 Flat Hd (SS)	1	
13	800105	Socket Cap Screw #10-32x5/8 Button-Hd	1	
14		Set Screw 1/4-28x5/8,18-8 Cup Pt. (SST)	3	



# Base Shroud Components







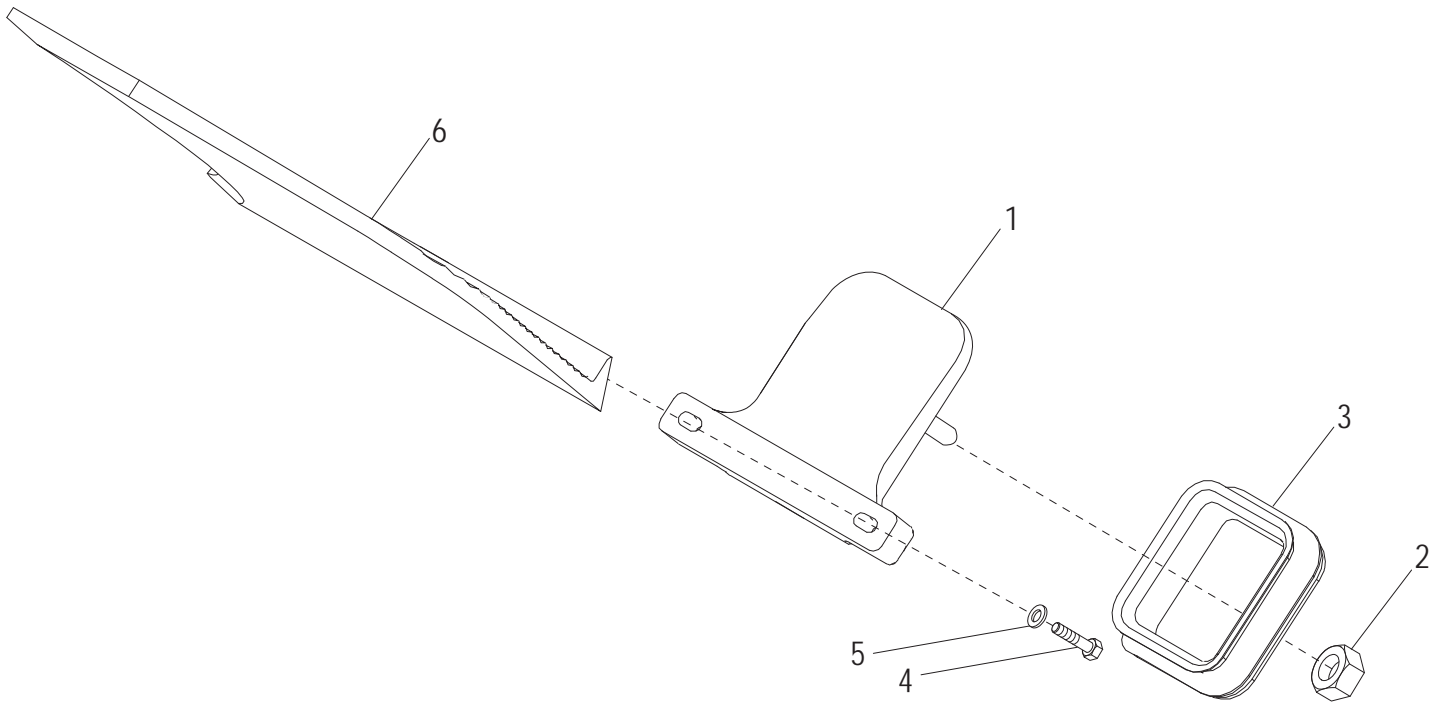
## Base Shroud Components

---

Item	Part Number	Description	Qty	Serial Number
1		Slicer Base	1	
2	871-2	Globe Logo Decal 3.5"	1	
3	300121	User Interface Panel Assembly (Incl. items 4-6)	1	
4	300101	User Interface Panel	1	
5	510035	User Interface Panel Gasket	1	
6	810422	Nylon Locknut 6-32	2	
7	910191	Membrane Switch, Manual	1	
8	510031	Slicer Foot	4	
9	920202	Globe Logo Decal, S-Series	2	
10	920200	Warning Label, Large	1	
11	920198	Warning Label, Large French	1	
12	920201	Warning Label, Small	1	
13	920199	Warning Label, Small French	1	



# Gauge Plate Components





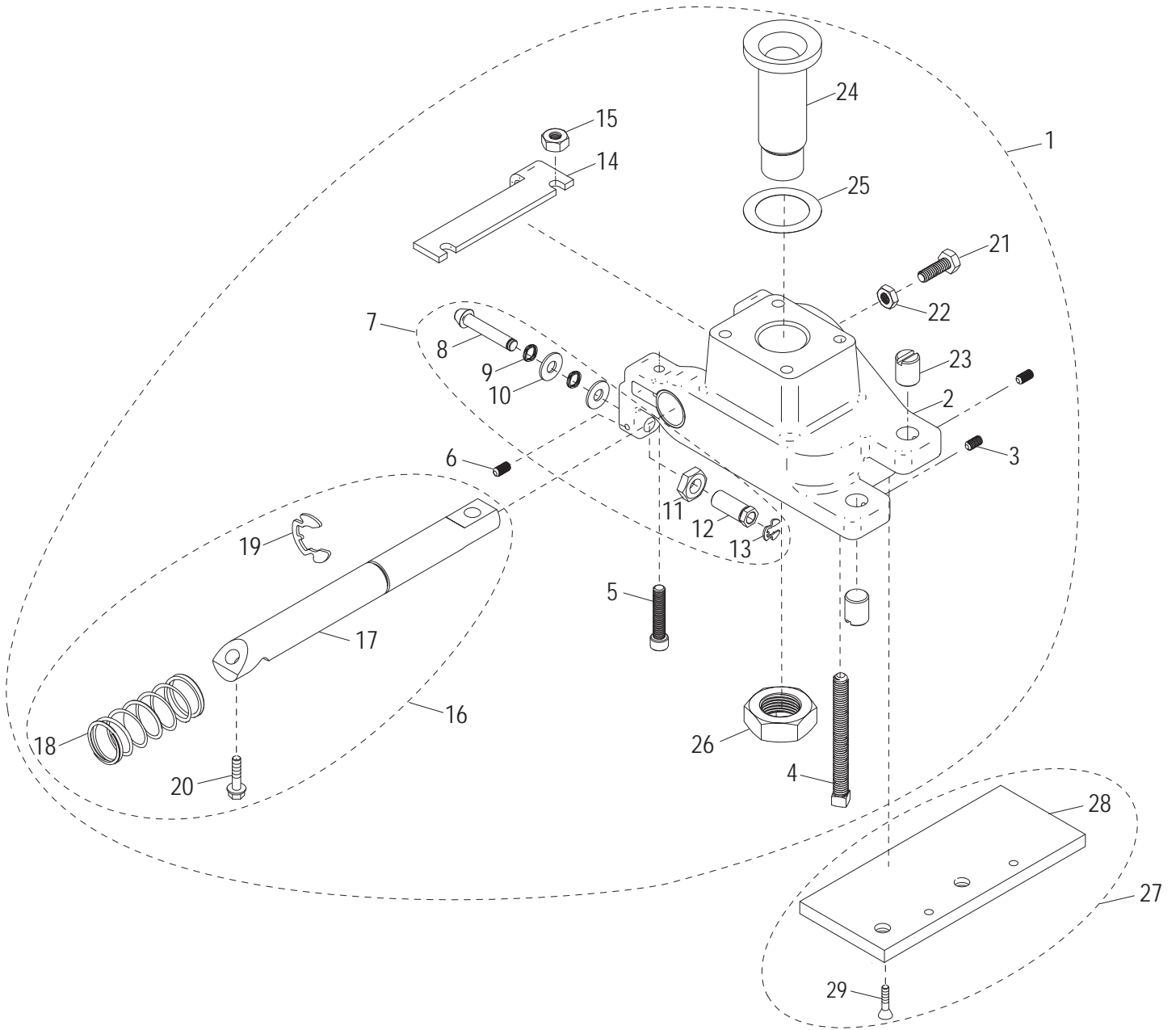
## Gauge Plate Components

---

Item	Part Number	Description	Qty	Serial Number
1	450212	Gauge Plate Base Assembly	1	
2	450054	Post Nut, Gauge Plate Ball Joint	1	
3	500001	Gauge Plate Seal	1	
4	890411	Cap Screw 3/8-16x1-1/2, Hex Hd with Nylon Patch	2	
5	870030	Flat Washer, Steel, Fits Screw	2	
6	450070	Gauge Plate	1	



# Index Slide Assembly Components





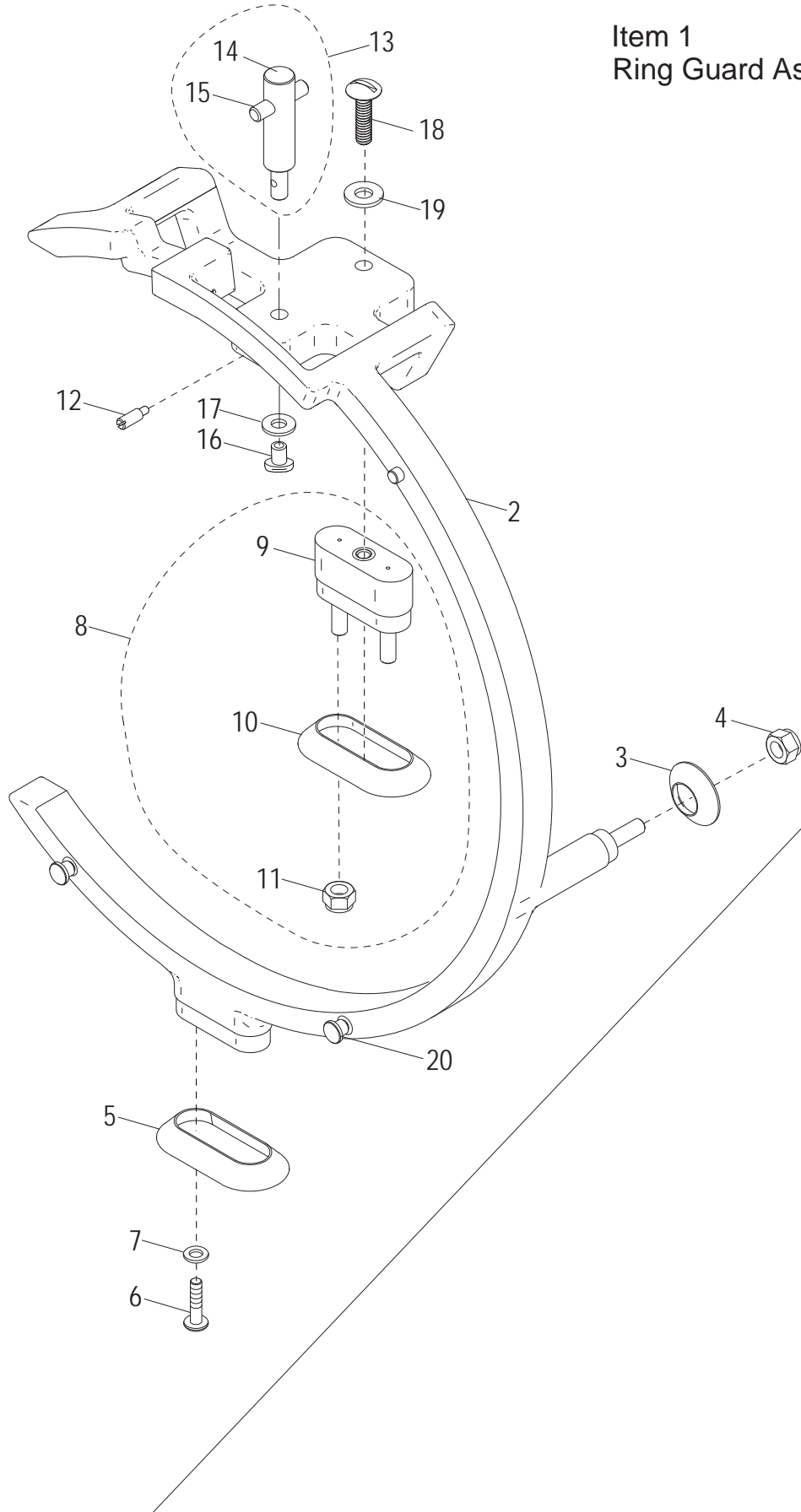
## Index Slide Assembly Components

Item	Part Number	Description	Qty	Serial Number
1	400140	Index Slide Kit (Incl. items 2-26)	1	
2		Index Slide with Bushings	1	
3	810400	Set Screw #10-32x3/8 Cup Pt.	2	
4	800146	Set Screw 5/16-18x3 Sq. Hd Cup Point	4	
5	800144	Cap Screw 1/4-28x1-1/4 Socket Hd	2	
6	800091	Set Screw #8-32 x 3/16 Knurled Grip - Cup Pt.	1	
7	400121	Cam Follower Kit (Incl. items 8-13)	1	
8		Follower	1	
9		Wave Spring Cam Follower	2	
10		Flat Washer .266 ID, .625 OD Type A	2	
11	890390	Jam Nut 3/8-24 Sharpener Wheel	1	
12		Follower Adjustment Post	1	
13	810379	Retaining Clip Ring 5304-18	1	
14		Cam Stop Bracket	1	
15	800145	Nut 1/4-28 Hex	2	
16	400122	Index Slide Shaft Kit (Incl. items 17-20)	1	
17		Index Slide Shaft	1	
18		Index Spring	1	
19	800152	Retaining Ring (Klipring) 5304-75	1	
20	800058	Washer 5/16-18-1 Hex Hd Tapping Screw	2	
21	810431	Cap Screw 1/4-20 x 3/4 Hex Hd	1	
22	810432	Nut, Thin 1/4-20 Hex	1	
23	450057	Screw, Anti-Rotation	2	
24	450050	Ball Joint Rest	1	
25	800168	Gauge Plate Spacer Kit (Kit of 4)	1	
26	800043	Nut 7/8-14 UNF Hex Jam	1	
27	400128	Anti-Rotation Plate Kit (Incl. items 28-29)	1	
28		Anti-Rotation Plate	1	
29	810003	Screw 1/4-20x3/4 Crossed Rec., Flat Hd, Tapping	2	



# Ring Guard Assembly Components

Item 1  
Ring Guard Assembly



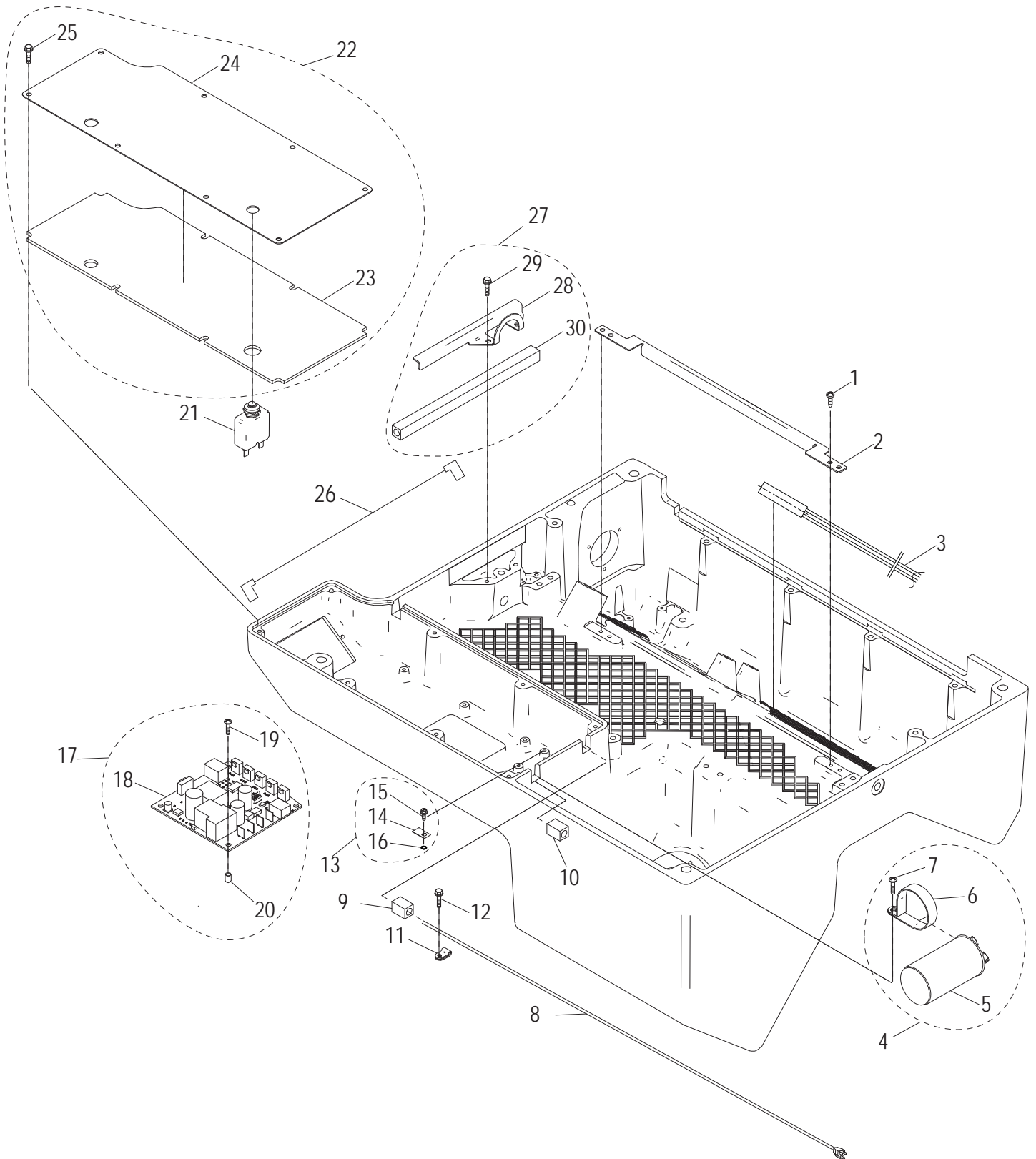


## Ring Guard Assembly Components

Item	Part Number	Description	Qty	Serial Number
1	500047	Ring Guard Assembly Kit (Incl. items 2-20)	1	
2	520316	Ring Guard	1	
3	520243	Round Boot, Ring Guard	1	
4	810438	Nylon-Insert Nut 1/4-20 Grade 5 Stl Zinc Plated	1	
5	520242	Oval Boot, Ring Guard	1	
6	810358	Mach. Screw 1/4-20x1 Truss Hd	2	
7	810345	Flat Washer 1/4 Screw Thread (18-8 SST)	2	
8	450213	Ring Guard Spacer Assembly (Incl. items 9-11)	1	
9	460064	Spacer, Ring Guard	1	
10	520242	Oval Boot, Ring Guard	1	
11	810438	Nylon-Insert Nut 1/4-20 Grade 5 Stl Zinc Plated	2	
12	810347	Slotted Set Screw 10-32 custom	1	
13	450131	Sharpener Mount Assembly (Incl. items 14-15)	1	
14		Sharpener Mounting Shaft	1	
15		Dowel Pin, Alloy Stl, 1/4 Dia x 1-1/8 Long	1	
16	810305	Mach. Screw 10-32x1/4	1	
17	800076	Washer #10 Flat (18-8 SST)	1	
18	810358	Mach. Screw 1/4-20x1 Truss Hd	1	
19	810345	Flat Washer 1/4 Screw Thread (18-8 SST)	1	
20	450130	Locator Pin	2	



# Electrical Base Components





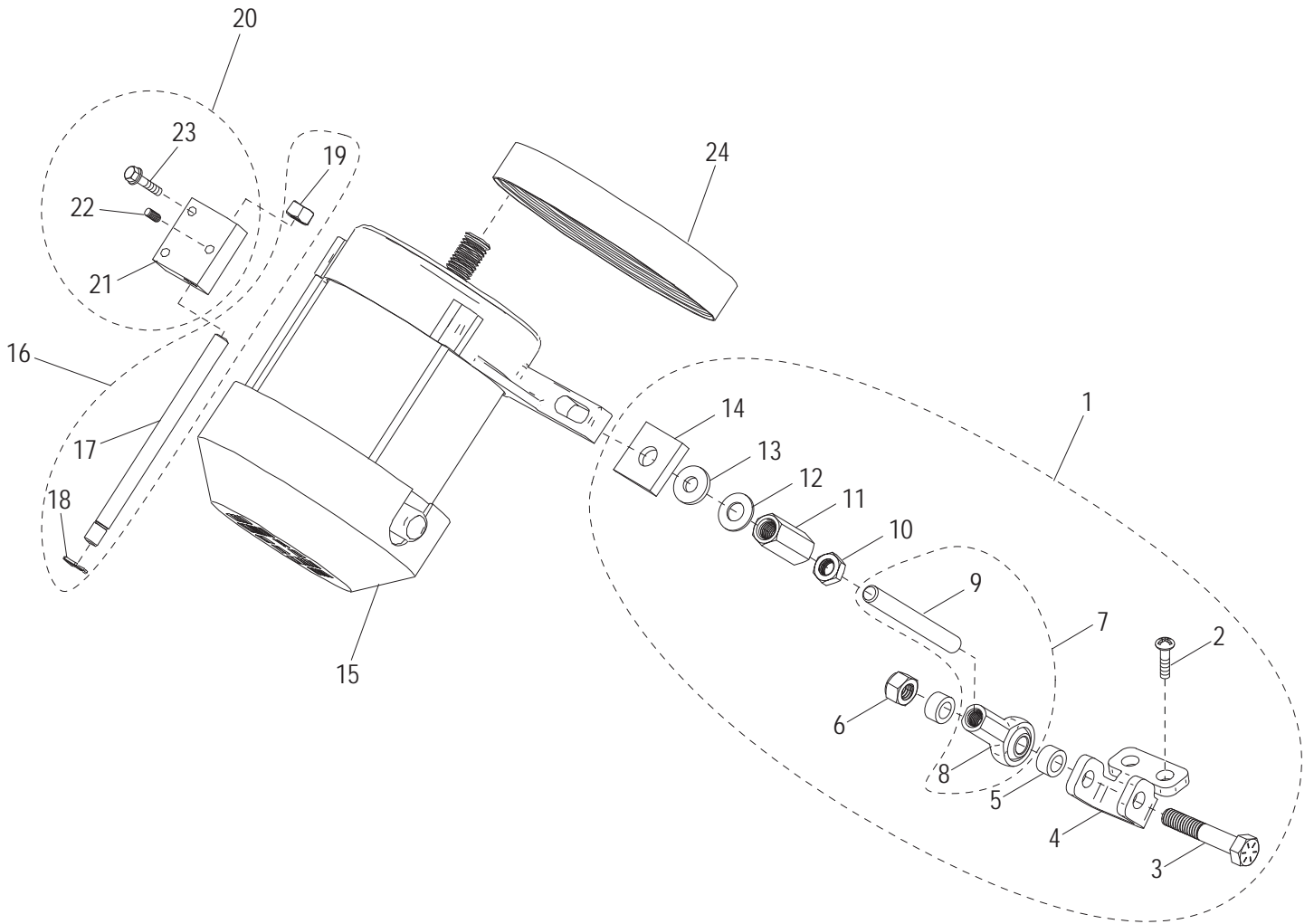


## Electrical Base Components

Item	Part Number	Description	Qty	Serial Number
1	800069	Screw #8-32x3/8 Cross Rec. Pan Hd. Tapping	4	
2	310208	Inner Wireway Cover	1	
3	110107	Harness, Reed Switch, Knife Cover Sensor	1	
4	121082	Capacitor Clamp Kit (Incl. items 5-7)	1	
5		Capacitor, Knife Motor (Fot Use w/120V Units)	1	
6	110228	Capacitor Clamp	1	
7	800069	Screw #8-32x3/8 Cross Rec. Pan Hd. Tapping	1	
8	130225	Power Supply Cord, 120VAC, 15A	1	
9	510045-01	Sleeve, Large Diameter Wire	1	
10	510044-01	Sleeve, Small Diameter Wire	1	
11	110227	Strain Relief, Power Cord	1	
12	800057	Screw 1/4-20x.75 Hex Washer Hd Tapping	1	
13	121080	Ground Location Tab Kit (Incl. items 14-16)	1	
14		Ground Location Tab	1	
15		Screw #8-32x1/2 Hex Washer Thread Form Slotted	1	
16		Lock Washer #8 External Tooth	1	
17	121087	Manual Control Board (Incl. items 18-20)	1	
18	121060	Control Board Assembly	1	
19	800175	Screw #8-32x3/4 Crossed Recessed Tapping	4	
20	810450	Self Retaining Spacer	4	
21	140017-01	Circuit Breaker	1	
22	300063	Electronics Cover & Gasket Kit (Incl. items 23-25)	1	
23		Gasket, Electronic Cover	1	
24		Cover, Electronics	1	
25	800067	Screw #10-24x1/2 Hex Washer Hd Tapping	8	
26	100125	Wire Harness, Circuit Breaker	1	
27	300067	Front Wireway Cover Kit (Incl. items 28-30)	1	
28		Cover, Front Wireway	1	
29	800067	Screw #10-24x1/2 Hex Washer Hd Tapping	2	
30	510044-02	Sleeve, Small Diameter Wire	1	



# Knife Drive Motor Components



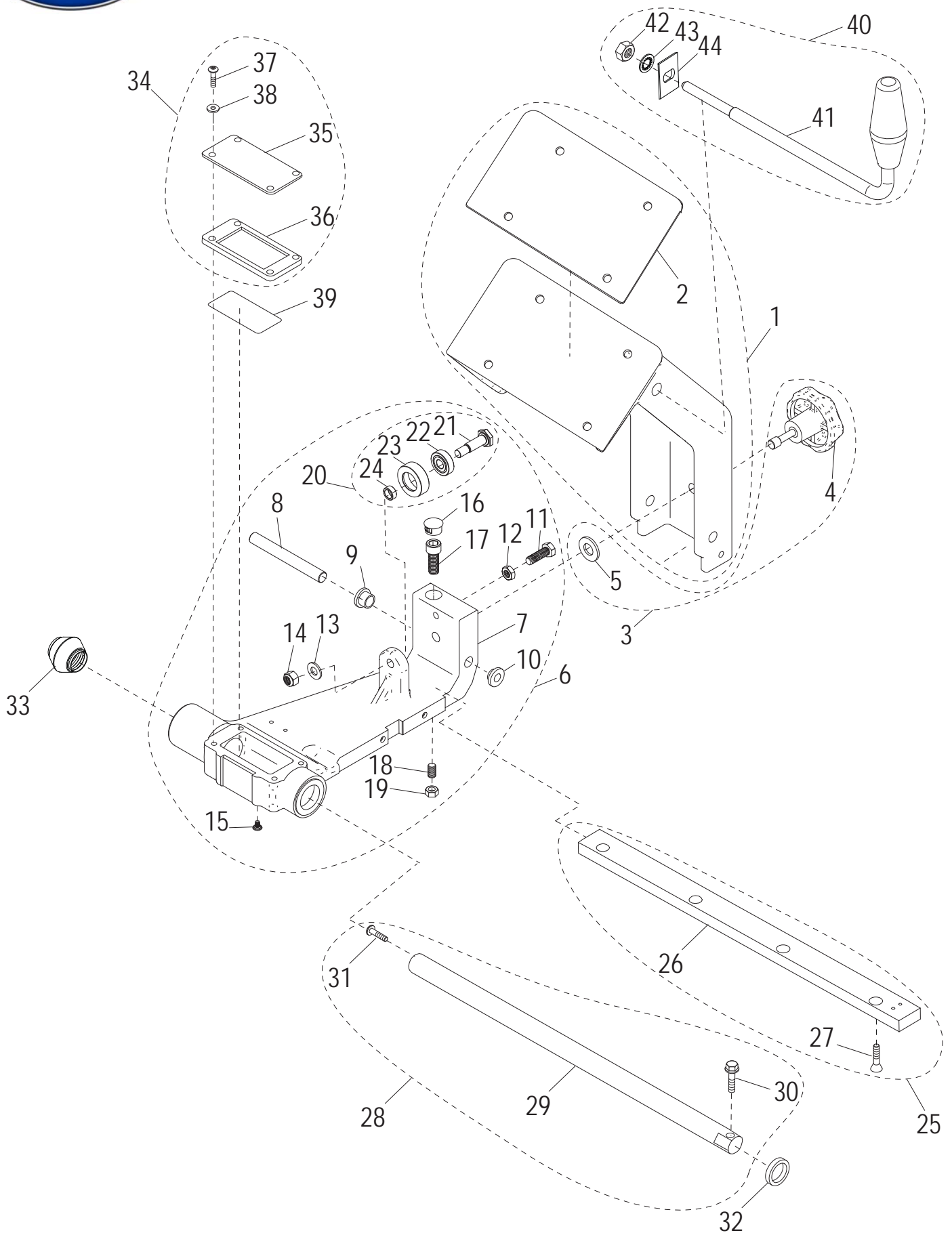


## Knife Drive Motor Components

Item	Part Number	Description	Qty	Serial Number
1	400124	Knife Tensioner Kit (Incl. items 2-14)	1	
2	800135	Thread Forming Screw 1/4-20x5/8 PHP	2	
3		Cap Screw 5/16-18 x 1-3/4, Grade 8 Hex Hd	1	
4		Knife Motor Tensioner Bracket	1	
5		Sleeve Spacer	2	
6	810420	Nyloc Nut 5/16-18, Grade 5	1	
7	400125	Threaded Ball Joint, Knife Tensioner (Incl. items 8-9)	1	
8		Ball Joint Rod End 5/16'-24 Thd	1	
9		Tension Shaft 5/16-24 x 3 Full Thread	1	
10		Nut 5/16-24 UNF Zinc Plated Steel Hex Jam	1	
11		Nut 5/16-24x1 Hex Coupling	1	
12	810416	Flat Washer 5/16 (Zinc)	1	
13	810417	Washer 5/16 Neoprene	1	
14	800161	Washer 5/16 Leveling	1	
15	120158-01	Knife Drive Motor, Single Phase, 120V, 60Hz	1	
16	400113	Motor Mount Pivot Rod Assembly (Incl. items 17-19)	1	
17		Motor Mount Pivot Rod	1	
18	810429	Retaining Ring, 5304-31 (Klipring)	1	
19	810420	Nyloc Nut 5/16-18, Grade 5	1	
20	400123	Motor Pivot Block Kit (Incl. items 21-23)	1	
21		Motor Pivot Block	1	
22	800094	Set Screw #10-32x1/4, Knurl-Grip Cup Pt.	1	
23	800068	Washer #10-24x1 Hex Hd Tap. Screw Slotted	2	
24	800092	Knife Drive Belt	1	



# Transport Arm Assembly Components



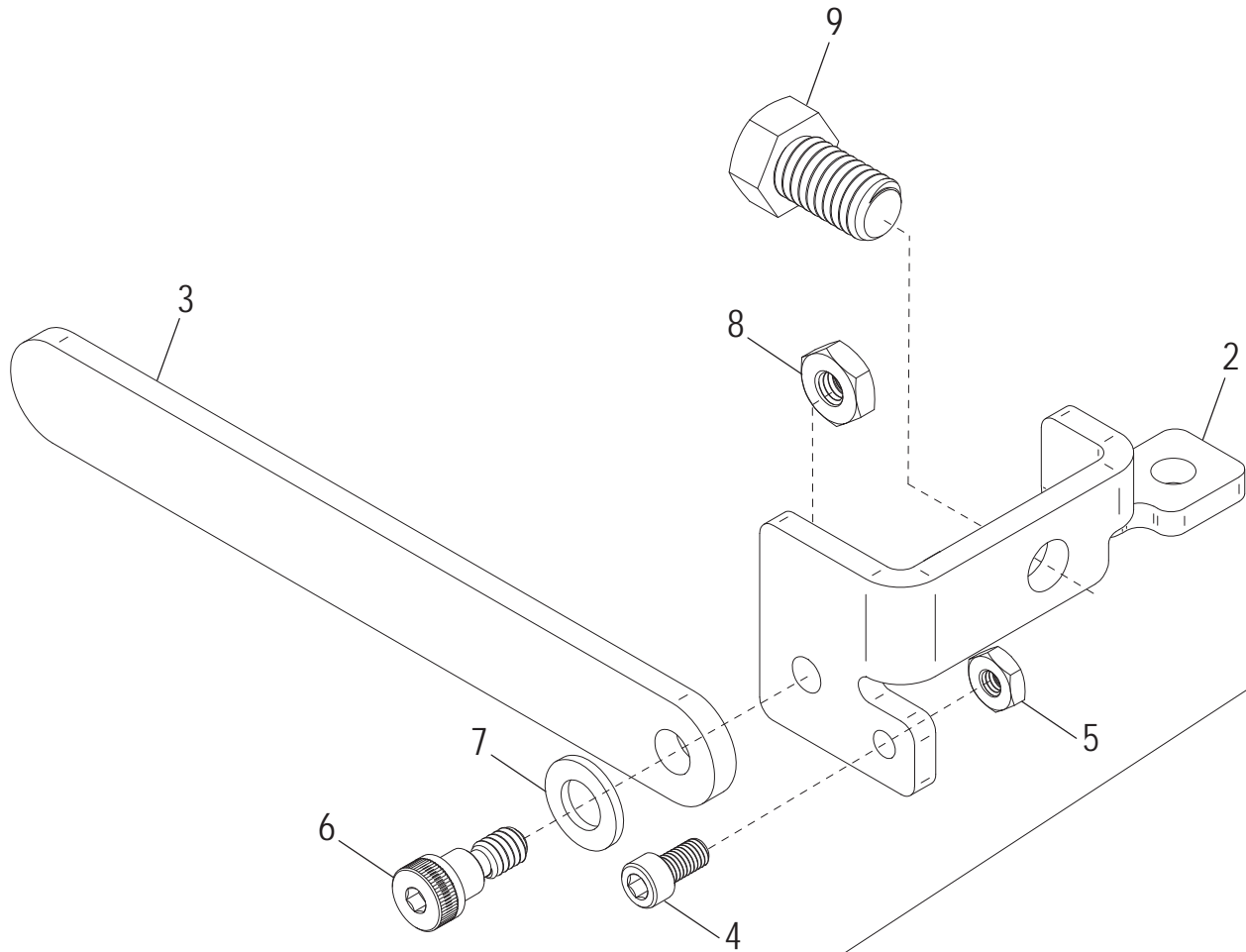


## Transport Arm Assembly Components

Item	Part Number	Description	Qty	Serial Number
1	400129	Carriage Arm & Gasket Kit (Incl. item 2)	1	
2	500004	Carriage Arm Gasket	1	
3	500052	Carriage Knob & Captive Clip Kit (Incl. items 4-5)	1	
4		Carriage Arm Tie Down Knob	1	
5	800180	Washer, Nylon	1	
6	400115	Transport Replacement Assembly (Incl. items 7-24)	1	
7		Transport with Bushings	1	
8	400017	Transport Attachment Pin	1	
9		Shoulder Washer .51 IDx.88 Nylon	1	
10		Shoulder Washer .51 IDx1.125 Nylon	1	
11	810406	Hex Cap Screw 5/16-24x1,18-8 (SST)	1	
12		Shoulder Washer .51 IDx1.125 Nylon	1	
13	810272	Flat Washer 5/16 Screw Size (SST)	1	
14	810420	Nyloc Nut 5/16-18, Grade 5	1	
15		Mach. Sealing Screw 8-32x1/4 PH Phillips	1	
16		Dome Plug for 5/8 Hole	1	
17		Socket Hd Cap Screw 3/8-16 x 1 (SST)	1	
18	800015	Transport Tie Down Screw	1	
19	800048	Nut 5/16-24 Hex UNF Thread (Zinc Plated Steel)	1	
20	800014	Roller Bearing Assembly (Incl. items 21-24)	1	
21		Roller Bearing Bolt	1	
22		Roller Bearing	1	
23		Bearing Sleeve	1	
24		Spacer Sleeve	1	
25	400131	Transport Roller Bar Kit (Incl. items 26-27)	1	
26		Transport Roller Bar	1	
27	810004	Tapping Screw 1/4-20x1 Cross Rec. FH	1	
28	400132	Transport Shaft Kit (Incl. items 29-31)	1	
29		Transport Shaft	1	
30	800059	Washer 5/16-18x1.25 Hex Hd Tapping Screw	1	
31	800071	Mach. Screw 5/16-18x1 Truss Hd Slotted	1	
32	500005	Transport Bumper	1	
33	800131	Sleeved Spring Assembly	1	
34	300064	Transport Cover Kit (Incl. items 35-38)	1	
35	300080	Transport Cover	1	
36	510058	Oil Well Gasket	1	
37	800109	Screw 1/4-20x.50 Button Hd Cap	1	
38		Washer 1/4 Flat	1	
39	800053	Felt Insert	1	
40	400114	Carriage Arm Handle Assembly with Nut (Incl. items 41-44)	1	
41		Carriage Arm Handle	1	
42	810224	Hex Nut, 1/2-13 Left Hand, Thread	1	
43	810226	Lock Washer, 1/2 Screw Size, Internal Tooth	1	
44	400155	Anti Rotation Block	1	



**Item 1  
Manual Kickstand Assembly**





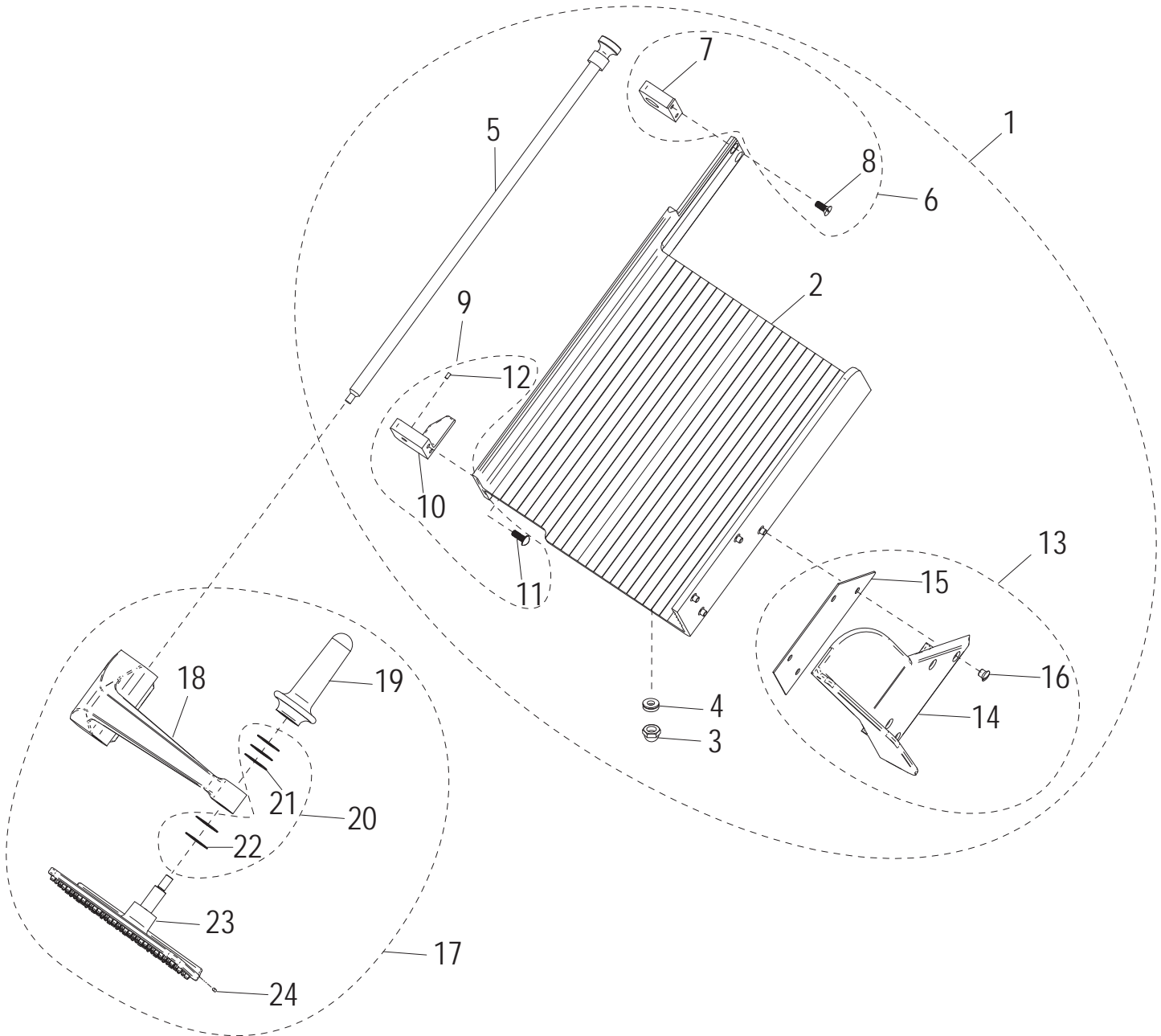
## Lift Lever Base Components

---

Item	Part Number	Description	Qty	Serial Number
1	300046	Manual Kickstand Assembly (Incl. items 2-9)	1	
2	300044	Manual Kickstand Bracket	1	
3	300045	Manual Kickstand Arm	1	
4	800124	Socket Hd. Cap Screw #10-32 x 3/8 SST	1	
5	800125	Hex Nut #10-32 SST	1	
6	800122	Long Shoulder 5/16" Dia. x 1/4" Screw 1/4"-20 Thrd	1	
7	810272	Flat Washer 5/16 Screw Size (SST)	1	
8	800128	Nylon-Insert Thin Hex Nut 1/4-20 SST	1	
9	800153	Cap Screw, Hx Hd 7/16-14 UNC x 3/4	1	



# Carriage and End Weight Assembly Components





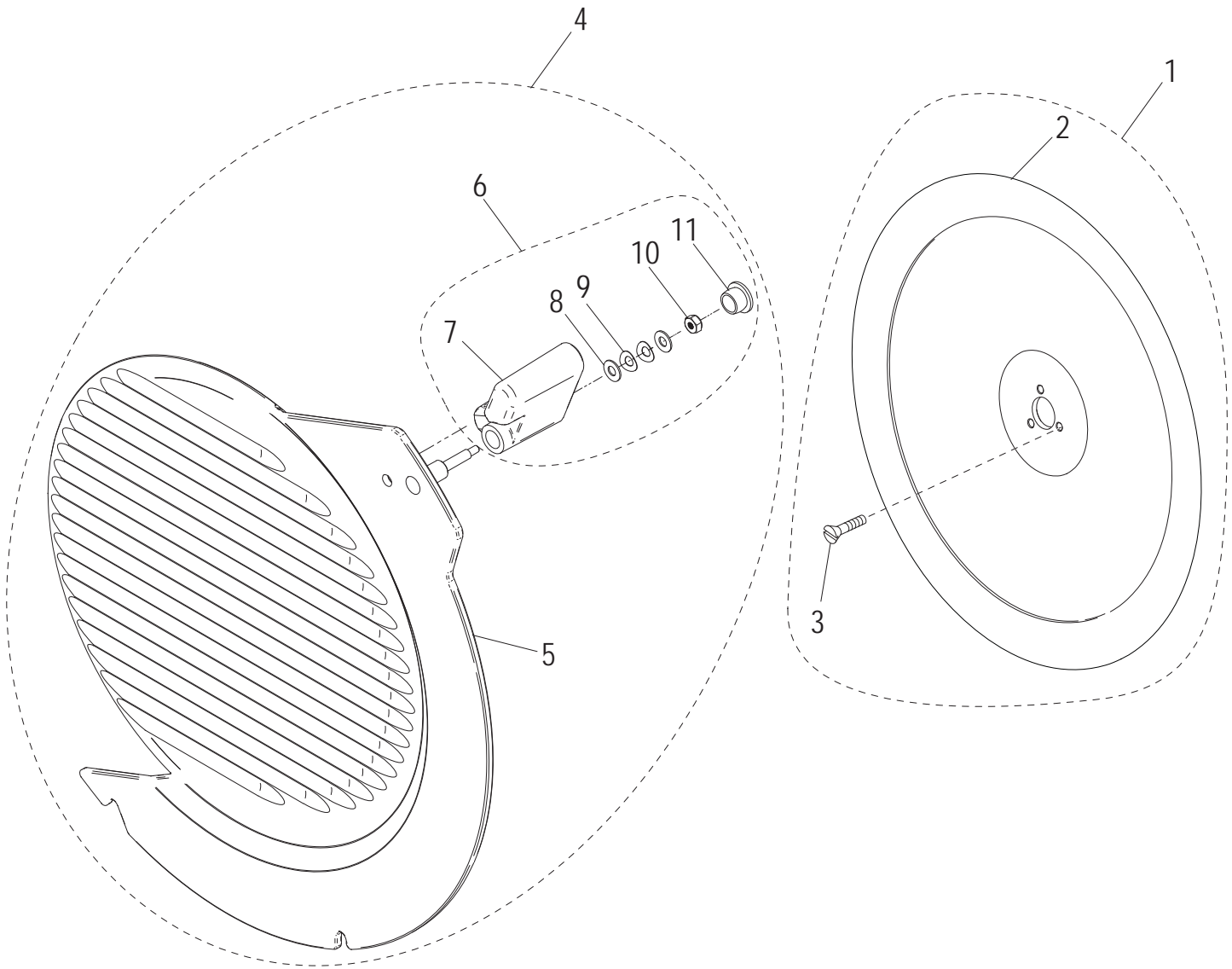


## Carriage and End Weight Assembly Components

Item	Part Number	Description	Qty	Serial Number
1	400138	Carriage Assembly Kit (Incl. items 2-16)	1	
2	400012	Carriage Insert Assembly	1	
3	820002	Nut, Acorn 1/4-10 UNC Zinc Plated Steel	4	
4	800085	Washer 1/4" Screw, Self Aligning	4	
5	450158	End Weight Shaft Assembly	1	
6	400135	Rod Mount Kit End Weight (Incl. items 7-8)	1	
7		End Weight Rod Mount	1	
8	800037	Mach. Screw 1/4-20 x 5/8 FH Slotted	2	
9	400136	End Weight Stop Kit (Incl. items 10-12)	1	
10		End Weight Stop	1	
11	800038	Mach. Screw 1/4-20 x 5/8 RH Slotted	2	
12	800047	Delrin 1/8 Dia x 3/8 Pin	1	
13	500046	Thumb Guard Assembly (Incl. items 14-16)	1	
14		Carriage Thumb Guard	1	
15	510038	Carriage Thumb Guard Gasket	1	
16	810366	Thumb Guard Screw	4	
17	500027	End Weight Assembly (Incl. items 18-24)	1	
18	420065	End Weight Arm Assembly	1	
19	500024	End Weight Handle	1	
20	800164	End Weight Face Washer Kit (Incl. items 21-22)	1	
21		Washer .04 mm thick End Weight Face	1	
22		Washer .01 mm thick End Weight Face	4	
23	500007	Molded End Weight Assembly	1	
24	800047	Delrin 1/8 Dia x 3/8 Pin	1	



# Knife and Knife Cover Components





## Knife and Knife Cover Components

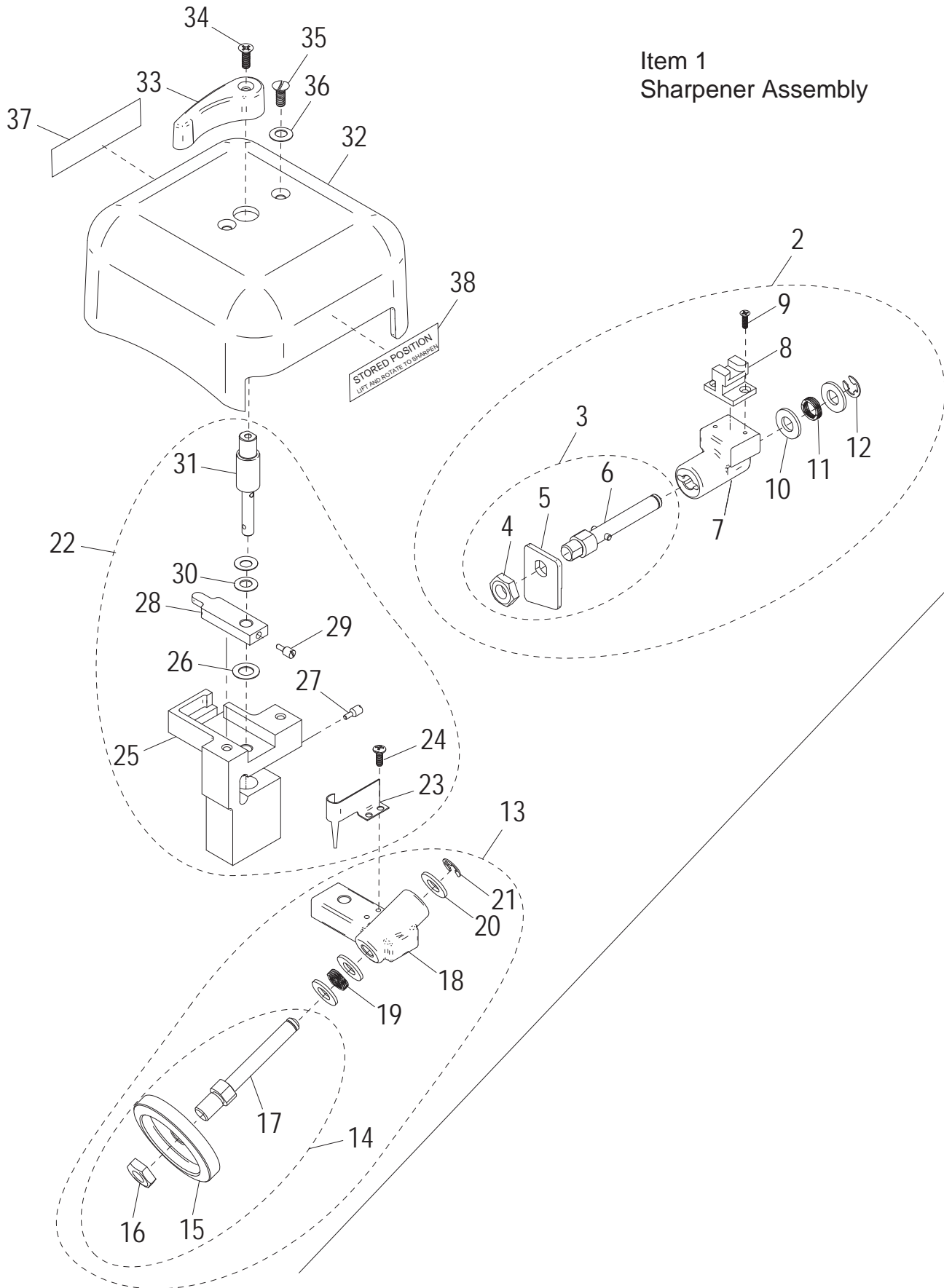
---

Item	Part Number	Description	Qty	Serial Number
1	400139	Knife Kit (Incl. items 2-3)	1	
2		Knife, 13 Inch (SST)	1	
3	810274	Mach. Screw, Flat Hd Slotted 10-32x1/2 (SST)	3	
4	250247	Knife Cover Assembly (Incl. items 5-11)	1	
5	460090	Knife Cover Sub-Assembly	1	
6	500045	Knife Cover Swivel Lock Assembly (Incl. items 7-11)	1	
7		Knife Cover Swivel Lock	1	
8		Flat Washer #10 Thin Profile	2	
9		Curved Disk Spring	2	
10		Nut, 6-32 INC-2B Hex, with Nylon Insert	1	
11	520237	Barrel Plug, Push-In	1	



# Sharpener Assembly Components

Item 1  
Sharpener Assembly





## Sharpener Assembly Components

Item	Part Number	Description	Qty	Serial Number
1	440044	Sharpener Assembly (Incl. items 2-35)	1	
2	430051	Honing Stone Assembly (Incl. items 3-12)	1	
3		Honing Stone Shaft Assembly (Incl. items 4-6)	1	
4	890390	Jam Nut 3/8-24 Sharpener Wheel	1	
5	240045	Honing Stone	1	
6		Honing Stone Shaft Assembly	1	
7		Honing Stone Bracket	1	
8		Honing Stone Slide	1	
9		Mach. Screw 4-40x3/8 FH Phillips	2	
10	810272	Flat Washer 5/16 Screw Size (SST)	2	
11		Wave Spring, Honing Stone	1	
12		Retaining Ring, Type E, for 5/16 Shaft	1	
13	430052	Sharpening Stone Assembly (Incl. items 14-21)	1	
14		Sharpening Stone Shaft Assembly (Incl. items 15-17)	1	
15	410048	CBN Sharpening Stone	1	
16		Hex Nut 3/8-24 UNF-2B	1	
17		Sharpening Stone Shaft	1	
18		Sharpening Stone Bracket	1	
19		Wave Spring, Sharpening Stone	1	
20	810272	Flat Washer 5/16 Screw Size (SST)	3	
21		Retaining Ring, Type E, for 5/16 Shaft	1	
22	400137	Sharpener Mount Center Kit (Incl. items 23-31)	1	
23		Sharpener Return Spring	1	
24		Mach. Screw 6-32x3/8 Pan Hd Cross-Rec.	2	
25		Sharpener Center Mount	1	
26	810437	Flat Washer	1	
27		Slotted Set Screw 10-32 Sharpener Actuator	1	
28		Honing Stone Lever	1	
29		Slotted Set Screw 10-32 Sharpener Actuator	1	
30	810275	Bellville Disc Spring Washer .255 ID x .50 OD	2	
31		Sharpener Handle Rod	1	
32	250069	Sharpener Cover	1	
33	510041	Top Section, Sharpener Handle	1	
34	810233	Mach. Screw 8-32x1/2 Black, Phillips, w/Nylon Patch	1	
35	810247	Mach. Screw, Truss Hd Slotted 10-32x5/8 (SST)	2	
36		Curved Disk Spring	2	
37	920215	Label, Sharpen Position	1	
38	920216	Label, Stored Position	1	



# Wiring Schematic

