

Parts Catalog



G12 Slicer

SLICING MACHINE

MODEL: G12

01-07-16N

Serial Number 509624 and Up

IMPORTANT!

TO EXPEDITE SHIPMENT OF PARTS, ALWAYS SPECIFY MODEL, REV,
PART NUMBER, AND SERIAL NUMBER OF SLICER.

GLOBE FOOD EQUIPMENT COMPANY

2215 East River Road

Dayton, Ohio 45439

Parts Department

Toll Free 1-800-745-6238 • Fax (937) 290-0585

E-Mail: info@globefoodequip.com

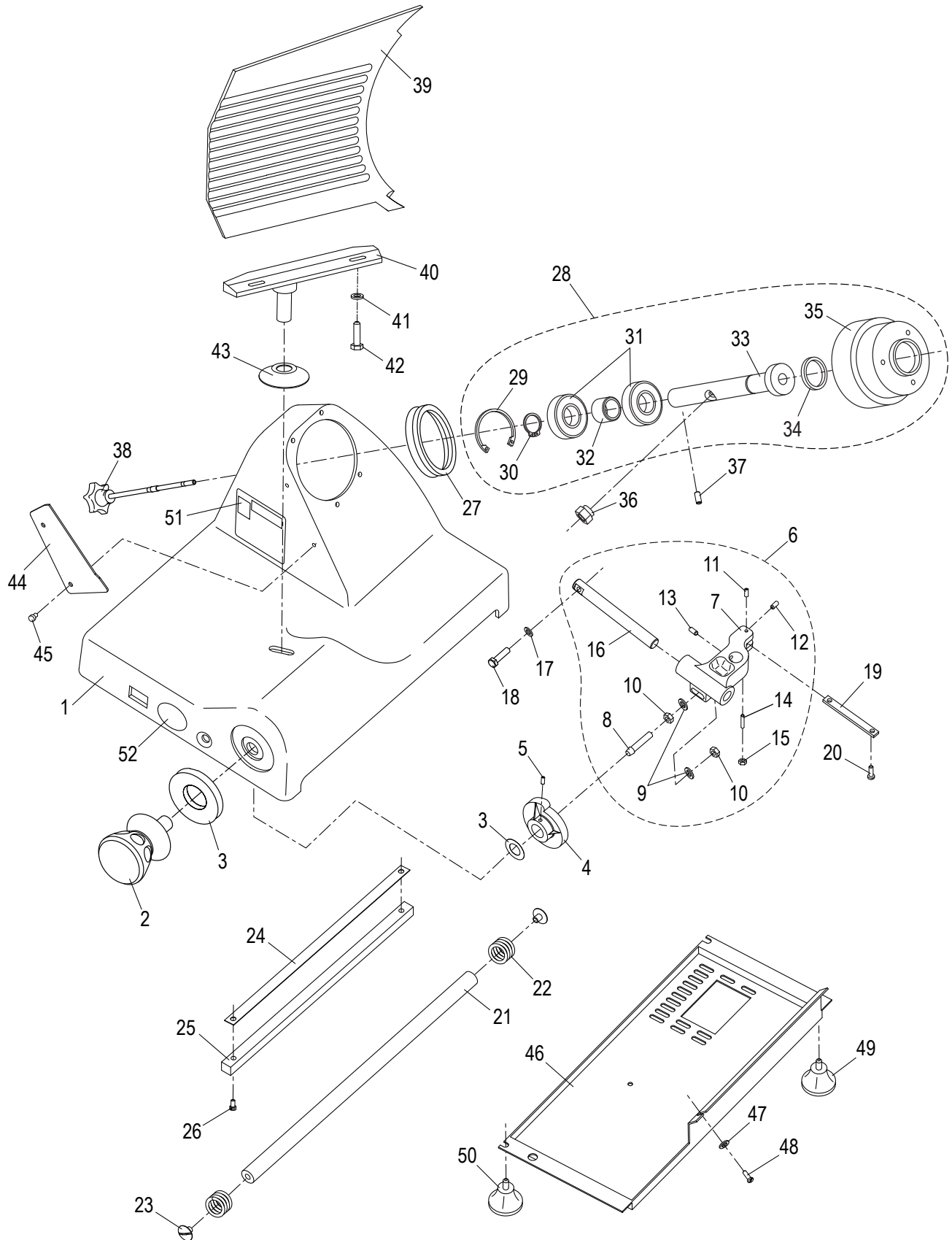
Website: www.globefoodequip.com

Not for resale

TABLE OF CONTENTS

Serial Number 509624 and Up	Page
Base Components	1 - 2
Chute Components	3
Knife & Sharpener Components	4
Electrical Components	5
Wiring Diagram	6

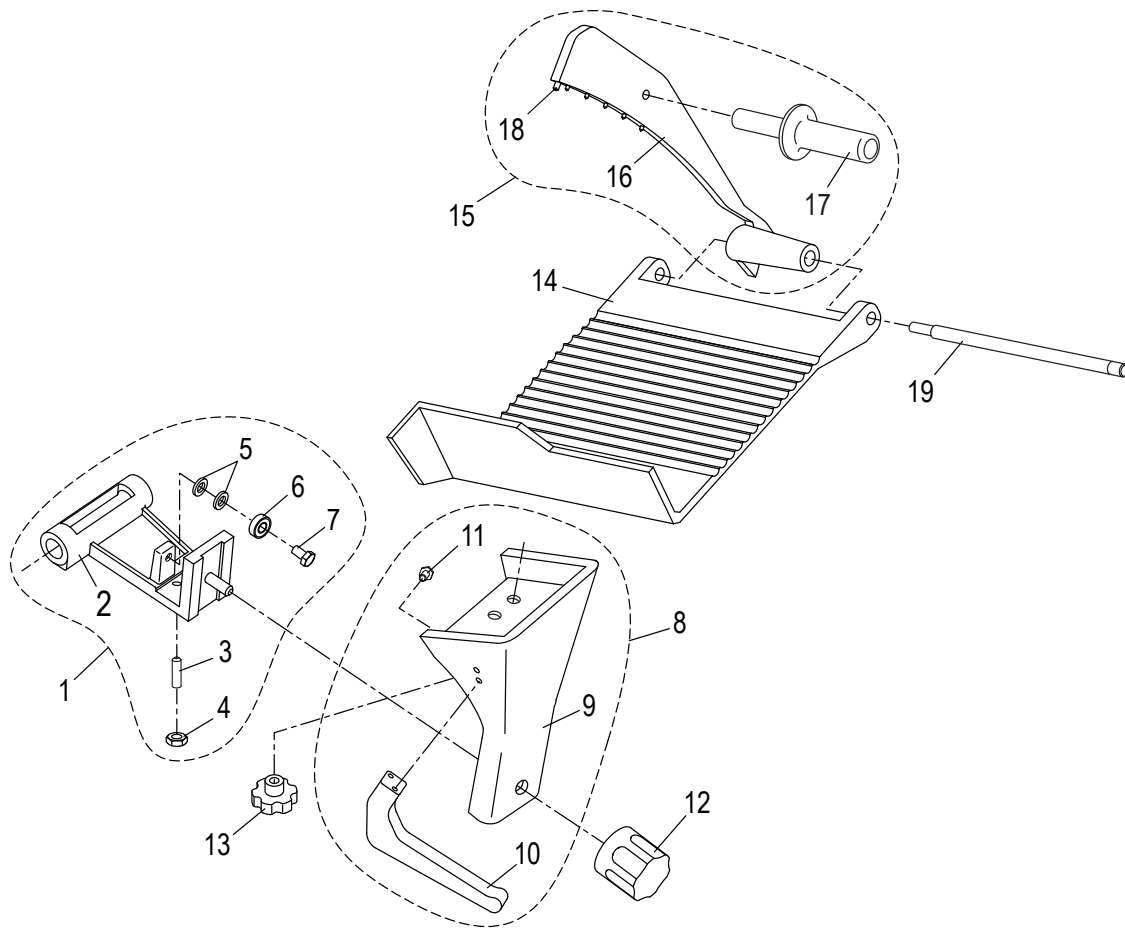
G12 BASE COMPONENTS



G12 BASE PARTS LIST

Item	Description	Qty	Part Number	Hardware
1	Slicer Base	1	-	
2	Table Adjustment Knob	1	M00209	
3	Wave Washer	1	M003	
4	Table Adjustment Cam	1	M004	
5	Table Adjustment Cam Set Screw	2	H00181	
6	Table Slide Assembly (Items 8-17)	1	M305	
7	Table Slide	1	-	
8	Stud, Cam Actuator	1	M013	
9	Flat Washer	2	H00191	
10	Hex Nut, Table Slide Bottom	2	H00192	
11	Set Screw, Table Slide Top	1	H00182	
12	Set Screw, Table Slide End	1	H00185	
13	Set Screw, Table Slide Side	2	H00186	
14	Set Screw, Table Slide Bottom	1	H00188	
15	Hex Nut , Table Slide Bottom	1	H00028	
16	Table Slide Rod	1	MR36	
17	Slide Rod Flat Washer	2	H00191	
18	Slide Rod Screw, Hex Head	2	H00116	
19	Table Slide Plate	1	M016	
20	Slide Plate Screw	2	H00061	
21	Carriage Slide Rod	1	M059	
22	Carriage Spring	2	M061	
23	Slide Rod Screw	2	M060	
24	Wear Strip, Slide Bar	1	M063	
25	Slide Bar, Square	1	M062	
26	Slide Bar Screw	2	H00056	
27	Motor Hub Seal	1	MGI77/5	
28	Knife Hub Assembly (Items 30-36)	1	M319	
29	Retaining Ring, Internal	1	H00193	
30	Retaining Ring, External	1	H00195	
31	Bearing	2	M020	
32	Spacer, Knife Pulley	1	M021	
33	Shaft, Knife Hub	1	M00241	
34	Oil Seal, Hub	1	MR12/7	
35	Pulley, Knife Hub	1	MCR12/2	
36	Microswitch Mounting Bolt	1	MCR61	
37	Knife Shaft Set Screw	1	H00184	
38	Knife Cover Release Knob	1	M00225	
39	Table	1	M00232	
40	Table Support	1	M00227	
41	Table Support Washer	2	H00191	
42	Table Support Screw	2	H00196	
43	Hole Cover, Base	1	M00228	
44	Knife Wiper	1	M097	
45	Thumb Screw, Knife Wiper	2	MCC23	
46	Bottom Cover	1	M113	
47	Cover Washer	1	H00063	
48	Cover Mounting Screw	1	H00061	
49	Back Foot	2	M115	
50	Front Foot	2	M00229	
51	Warning label	1	M91022	
52	Label, Globe Logo	1	M91021	

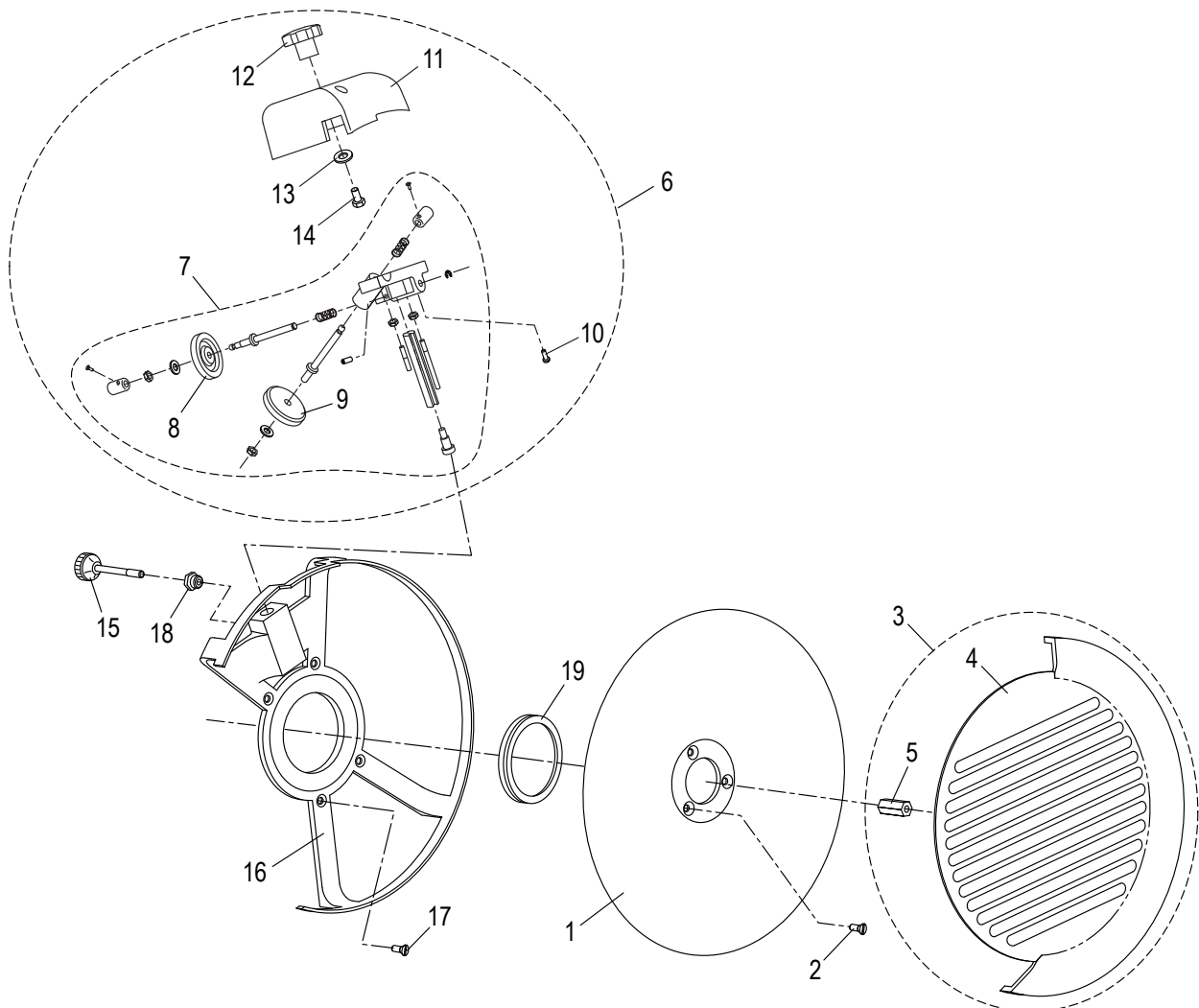
G12 CHUTE COMPONENTS



Item	Description	Qty	Part Number	Hardware
1	Chute Slide Assy (Item 2 - 7)	1	M352	
2	Chute Slide	1	-	
3	Brass Stud	1	M053	
4	Stud Nut	1	H00192	
5	Bearing Washer	2	H00191	
6	Bearing	1	M056	
7	Bearing Screw	1	H00117	
8	Chute Support Assembly (Item 9 - 12)	1	M00282	
9	Chute Support	1	M00363	
10	Chute Support Handle	1	M067	
11	Screw, Chute Support Handle	2	H00156	
12	Chute Support Knob	1	M00268	
13	Chute Release Knob	1	M00254	
14	Chute	1	M00386	
			*M01068	
15	End Weight Assembly (Item 17 - 19)	1	M00388	
			*M01069	
16	End Weight	1	-	
17	End Weight Handle	1	M00261	
18	End Weight Bumper	1	MC39	
			*M01070	
19	End Weight Rod	1	M00283	
			*M01071	

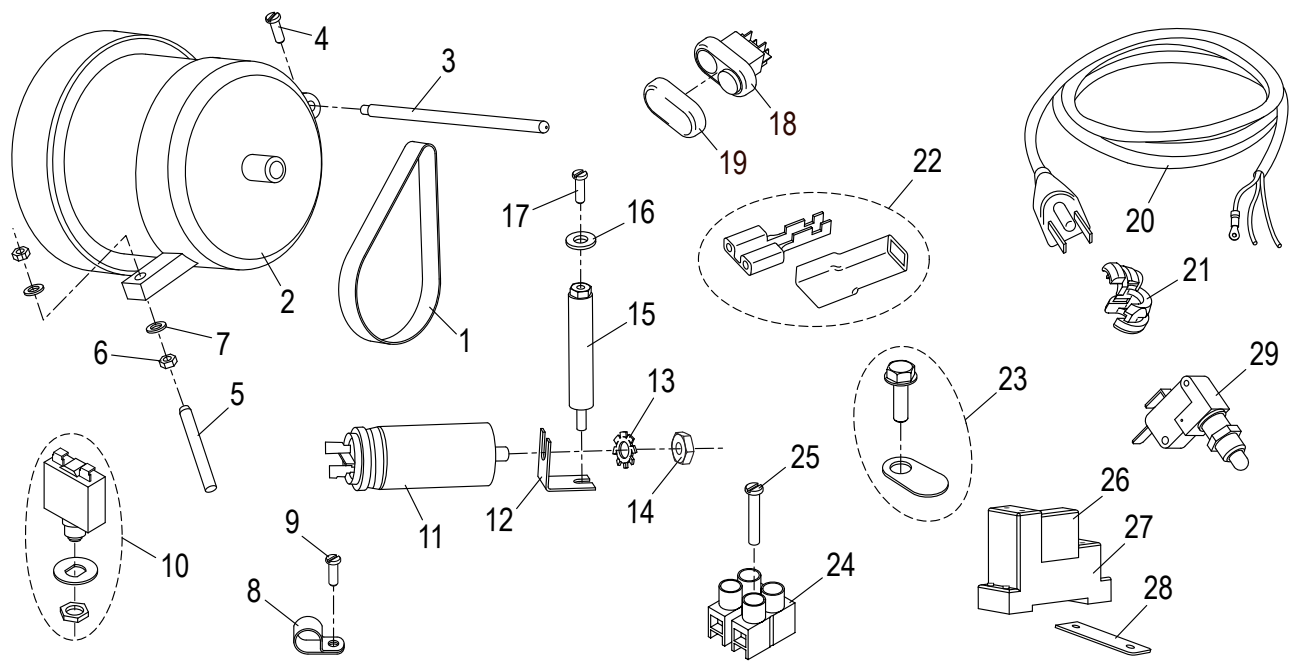
* Use after Serial Number 518220

G12 KNIFE AND SHARPENER COMPONENTS



Item	Description	Qty	Part Number	Hardware
1	Knife	1	M047	
2	Knife Mounting Screw	3	H00201	56-A
3	Knife Cover Assembly	1	M349	
4	Knife Cover	1	-	
5	Knife Cover Insert	1	M049A	
6	Sharpener Assembly with Cover	1	M377	
7	Knife Sharpener Assembly	1	MC017	
8	Deburring Stone	1	M092	
9	Sharpening Stone	1	MCC17	
10	Sharpener Cover Screw	2	H00187	M5 x 0.8 x 15mm
11	Sharpener Cover	1	M074	
12	Sharpener Cover Knob	1	M075	
13	Cover Knob Washer	1	M035	
14	Cover Knob Screw	1	H00197	M6 x 16 mm - Zinc
15	Sharpener Release Knob	1	M096	
16	Knife Rim Guard	1	M044	
17	Rim Guard Mounting Screw	4	H00435	
18	Knife Rim Guard Insert	1	M045	
19	Knife Seal, V Ring - VA 80	1	M00405	

G12 ELECTRICAL COMPONENTS



Item	Description	Qty	Part Number	Hardware
1	Drive Belt	1	M024	
2	Knife Motor	1	M030	
3	Post, Motor Pivot	1	M031	
4	Screw	1	H00189	
5	Set Screw	1	M033	
6	Hex Nut	2	M034	
7	Flat Washer	2	M035	
8	Cable Clamp	1	M037	
9	Screw, Clable Clamp	1	H00061	
10	Switch, Motor Reset	1	M038	
11	Capacitor, 16 μ f	1	M039	
12	Bracket, Capacitor Mounting	1	-	
13	Lock Washer	1	H00335	
14	Hex Nut	1	H00192	
15	Standoff, Cover Spacer	1	M00358	
16	Cover Washer	1	M035	
17	Cover Mounting Screw	1	H00061	
18	Power Switch	1	MCR69	
19	Cover, Power Switch	1	MCR59	
20	Power Cord & Plug	1	M110	
21	Strain Relief	1	M111	
22	Terminal & Insulator Set	15	M00233	
23	Ground Screw/Marking Tab Set	1	M00334	
24	Terminal Block	1	MB80/2	
25	Terminal Block Mounting Screw	1	H00203	
26	Relay	1	MCR75	
27	Relay Socket	1	MCR76	
28	Relay Mounting Plate	1	M00360	
29	Hub Assembly Microswitch	1	M026	

