



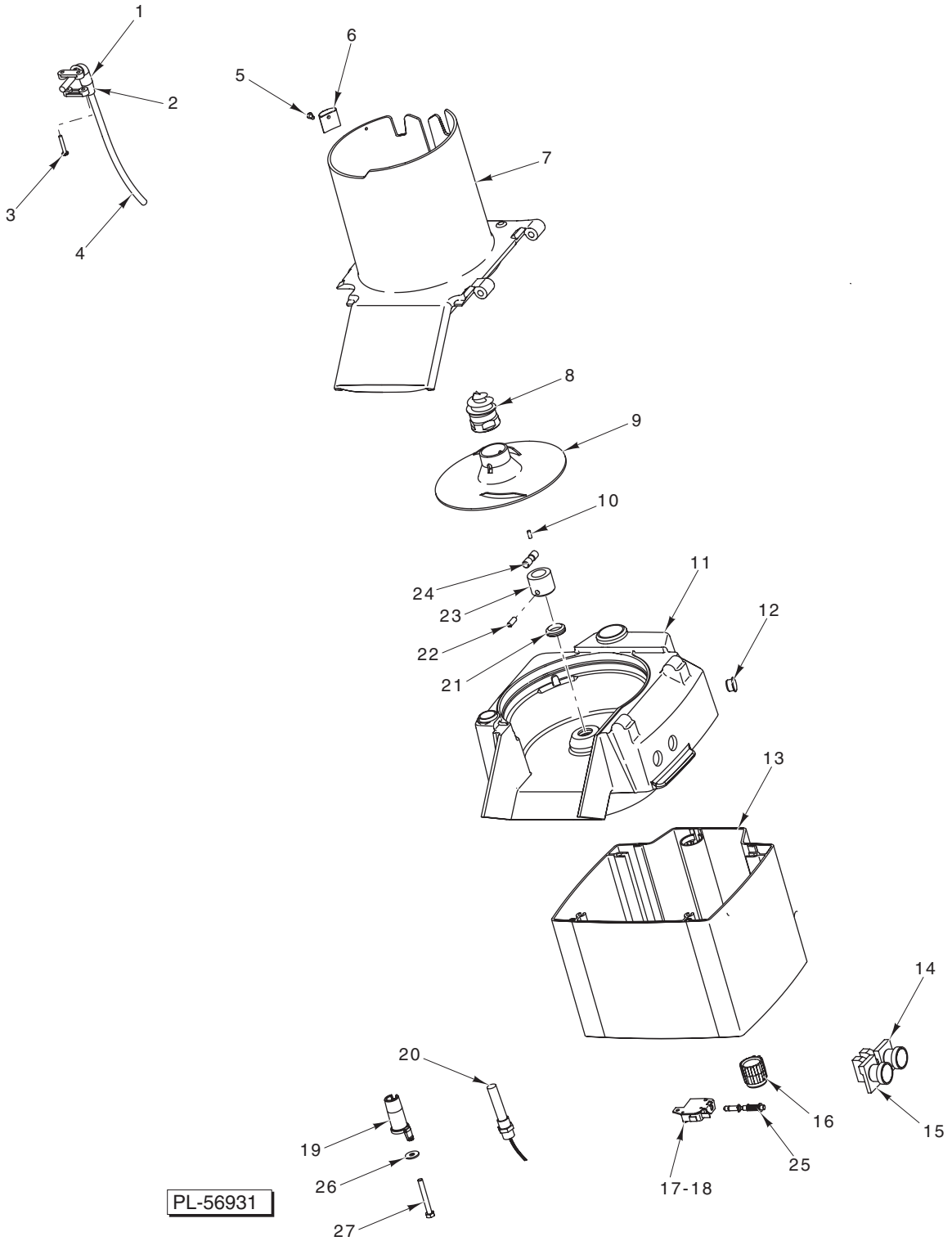
# CATALOG OF REPLACEMENT PARTS



## MODEL FP250 FOOD PROCESSOR

FP250

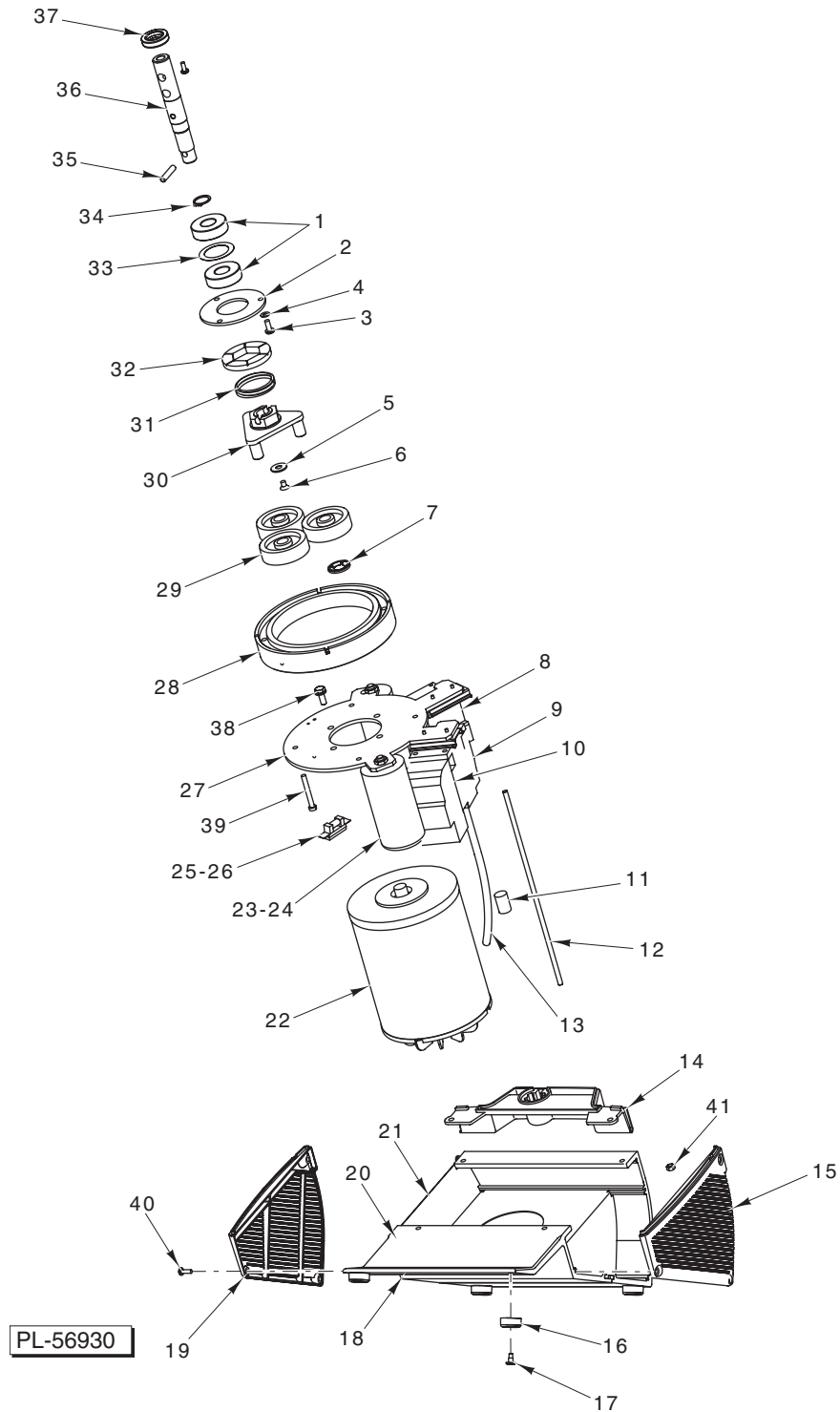
ML-134228



**HOUSING**

**HOUSING**

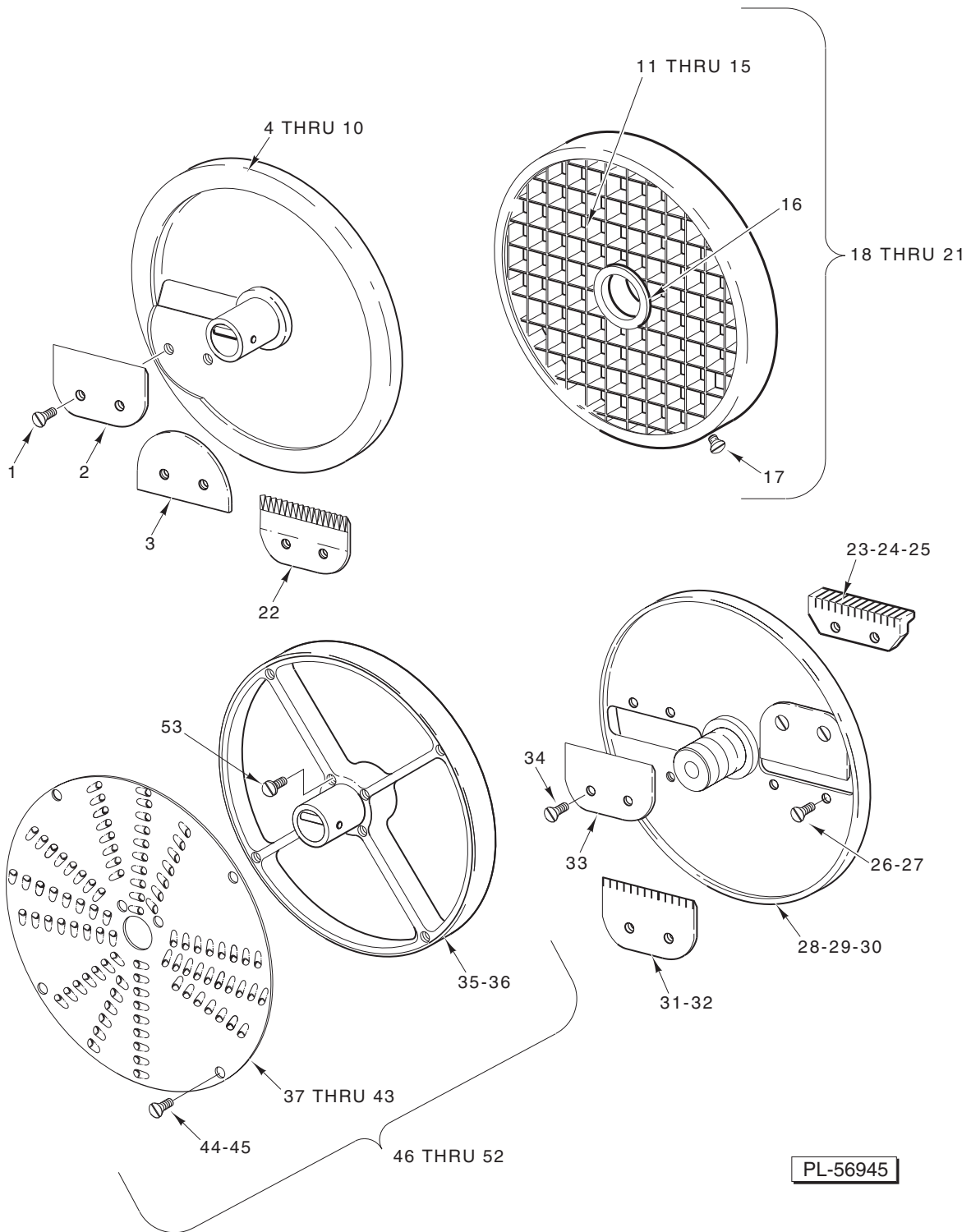
ILLUS.	PART NO.	NAME OF PART	AMT.
PL-56931			
1	00-875641	Sleeve .....	1
2	00-875642	Clamp – Strain Relief .....	2
3	SC-122-38	Mach. Screw M4 x 0.7 x 25 mm Phil. Pan Hd. (SST) .....	2
4	00-274857	Cable W/Plug .....	1
5	SC-123-02	Mach. Screw M4 x 0.7 x 10 mm Slotted Oval Hd. ....	1
6	00-875634	Support – Piston .....	1
7	00-875635	Feed Hopper Assy. ....	1
8	00-436420	Screw – Decoring .....	1
9	00-875636	Ejector .....	1
10	SC-121-48	Set Screw M8 x 1.25 x 12 mm Slotted Hdls., Cup Point (SST) .....	1
11	00-875637	Chamber – Knife .....	1
12	00-479574	Plug .....	1
13	00-875643	Housing Assy. – Machine .....	1
14	00-875522	Button – Stop Assy. ....	1
15	00-875523	Button – Start Assy. ....	1
16	00-875638	Bushing – Guide .....	1
17	00-875639	Switch – Safety .....	1
18	SD-039-26	Self-Tapping Screw M4 x 10 mm Pan Hd., Type BT (SST) .....	2
19	00-875624	Collar .....	1
20	00-477264	Switch – Reed .....	1
21	00-274321	Washer – Seal .....	1
22	00-274323	Pin .....	1
23	00-436418	Sleeve – Thrust .....	1
24	00-436419	Pin – Carrier .....	1
25	00-875640	Pin – Activator .....	1
26	WS-030-43	Washer (SST) .....	1
27	SC-200-06	Mach. Screw M6 x 1.0 x 40 mm Slotted Pan Hd. ....	1



**MOTOR AND BASE**

## MOTOR AND BASE

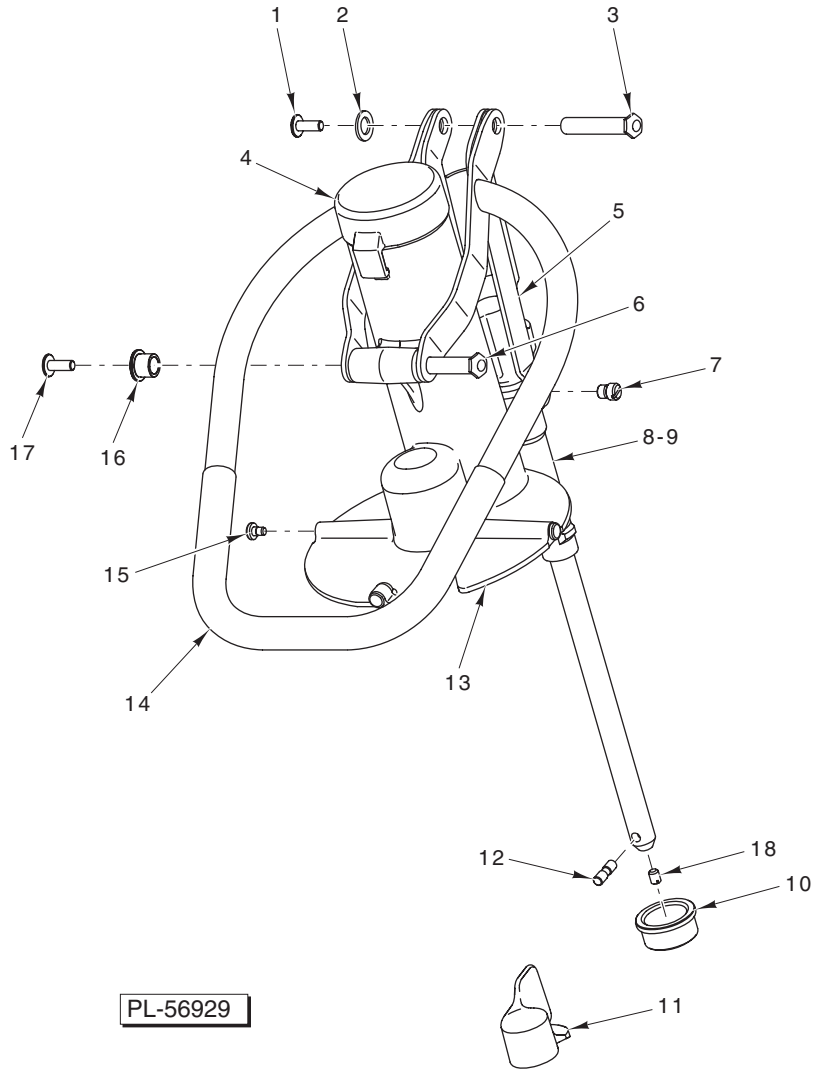
ILLUS.	PART NO.	NAME OF PART	AMT.
	PL-56930		
1	BB-017-09	Bearing – Ball .....	2
2	00-274403	Shim – Brake .....	1
3	SC-120-92	Mach. Screw M5 x 0.8 x 12 mm Slotted Cheese Hd. (SST) .....	3
4	WL-019-75	Lockwasher M5 Helical .....	3
5	00-274376	Washer – Spring .....	1
6	SC-120-93	Mach. Screw M5 x 0.8 x 10 mm Hex Flat Hd. (SST) .....	1
7	00-274398	Washer – Planetary .....	3
8	00-087713-089-1	Contactora (110 V.) .....	1
9	00-875526	Contactora (110 V.) .....	1
10	00-875654	Relay – Overload .....	1
11	00-274344	Circuit – RC .....	1
12	00-875656	Kit – Draw Bar .....	1
13	00-875657	Kit – Wiring .....	1
14	00-875644	Handle .....	1
15	00-875645	Louver – Right .....	1
16	00-478891	Foot – Rubber .....	4
17	00-478943	Screw – Special .....	4
18	00-875627	Base .....	1
19	00-875628	Louver – Left .....	1
20	00-875666	Plate – Fan (Outlet) .....	1
21	00-875665	Plate – Fan (Inlet) .....	1
22	00-875626	Motor .....	1
23	00-875655	Capacitor .....	1
24	00-875663	Capacitor .....	1
25	00-477269	Holder – Fuse .....	1
26	00-477268	Fuse .....	1
27	00-875625	Plate – Motor .....	1
28	00-274397	Ring – Planetary .....	1
29	00-274402	Wheel – Planetary .....	3
30	00-274393	Carrier – Planet .....	1
31	00-274394	Spring – Pressure .....	1
32	00-274336	Disk – Brake .....	1
33	00-274399	Spacer – Bearing .....	1
34	00-274400	Clip – Bearing .....	1
35	RP-006-24	Pin – Roll .....	1
36	00-436416	Shaft – Knife .....	1
37	00-274333	Washer – Rubber Seal .....	1
38	SC-118-58	Cap Screw M6 x 1.0 x 12 mm Hex Hd. (SST) .....	4
39	SC-120-91	Mach. Screw M5 x 0.8 x 40 mm Slotted Cheese Hd. (SST) .....	4
40	SD-038-39	Self-Tapping Screw 3.5 mm x 13 mm Slotted Oval Hd., Type AB (SST) .....	6
41	NS-048-90	Nut – Stop M5 x 0.8 (SST) .....	4



**ACCESSORIES**

## ACCESSORIES

ILLUS. PL-56945	PART NO.	NAME OF PART	AMT.
1	SC-120-82	Mach. Screw M5 x 0.8 x 6 mm Slotted Flat Hd. (SST)	AR
2	00-274317	Knife – Standard Slicer	AR
3	00-274318	Knife – Fine Slicer	AR
4	00-477570	Plate Assy. 1/8 Fine Slicer (Incls. Items 1 & 3)	1
5	00-436411-00001	Plate Assy. 1/16 Fine Slicer (Incls. Items 1 & 3)	1
6	00-436412-00004	Plate Assy. 3/16 Fine Slicer (Incls. Items 1 & 3)	1
7	00-436412-00001	Plate Assy. 5/32 Fine Slicer (Incls. Items 1 & 3)	1
8	00-436412-00002	Plate Assy. 7/32 Fine Slicer (Incls. Items 1 & 3)	1
9	00-436412-00003	Plate Assy. 3/8 Fine Slicer (Incls. Items 1 & 3)	1
10	00-436460	Plate Assy. 3/16 Crimping Slicer (Incls. Items 1 & 22)	1
11	00-477782	Kit – Dicing Grid Knife 3/32	1
12	00-477783	Kit – Dicing Grid Knife 3/8	1
13	00-477784	Kit – Dicing Grid Knife 5/8	1
14	00-477785	Kit – Dicing Grid Knife 3/4	1
15	00-435116	Kit – French Fry Knife	1
16	00-477716	Ring – Center Grid	1
17	SC-120-83	Mach. Screw M4 x 0.7 x 6 mm Slotted Flat Hd. (SST)	4
18	00-477712	Plate Assy. – Dicer 3/32 (Incls. Items 11, 16, & 17)	1
19	00-477713	Plate Assy. – Dicer 3/8 (Incls. Items 12, 16, & 17)	1
20	00-477714	Plate Assy. – Dicer 5/8 (Incls. Items 13, 16, & 17)	1
21	00-477715	Plate Assy. – Dicer 3/4 (Incls. Items 14, 16, & 17)	1
22	00-435128	Knife – Crimping Slicer	AR
23	00-437550	Knife – Balk 3/16 (Use With Item 31)	1
24	00-437549	Knife – Balk 3/32 (Use With Item 33)	1
25	00-437552	Knife – Balk 5/16 (Use With Item 32)	1
26	SC-118-26	Mach. Screw M4 x 0.7 x 10 mm Slotted Flat Hd. (SST)	AR
27	SC-120-83	Mach. Screw M4 x 0.7 x 6 mm Slotted Flat Hd. (SST)	AR
28	00-437252	Plate Assy. – Julienne 3/32 (Incls. Items 24, 26, 33, & 34)	1
29	00-436423-00001	Plate Assy. – Julienne 3/16 (Incls. Items 23, 27, 31, & 34)	1
30	00-437254	Plate Assy. – Julienne 5/16 (Incls. Items 25, 27, 32, & 34)	1
31	00-294968	Knife – Julienne 3/16 (Use With Item 23)	AR
32	00-294968-00003	Knife – Julienne 5/16 (Use With Item 25)	AR
33	00-274317	Knife – Standard Slicer (Use With Item 24 for 3/32 Julienne)	AR
34	SC-120-82	Mach. Screw M5 x 0.8 x 6 mm Slotted Flat Hd. (SST)	AR
35	00-436415	Frame (For 1/16, 3/32, 1/8, 3/16, 7/32 Shredder Inserts & Fine Grater)	1
36	00-436414	Frame (For 5/16 Shredder Inserts)	1
37	00-435734	Insert – 1/16 Shredder Plate	1
38	00-274320	Insert – 3/32 Shredder Plate	1
39	00-274409	Insert – 1/8 Shredder Plate	1
40	00-274343	Insert – 3/16 Shredder Plate	1
41	00-274410	Insert – 5/16 Shredder Plate	1
42	00-435735	Insert – 7/32 Shredder Plate	1
43	00-436462	Insert – Fine Grater	1
44	SD-037-39	Self-Tapping Screw 2.9 mm x 13 mm Slotted Flat Hd., Type AB (SST)	AR
45	SD-038-39	Self-Tapping Screw 3.5 mm x 13 mm Slotted Oval Hd., Type AB (SST)	4
46	00-436484	Plate Assy. – Fine Grater (Incls. Items 35, 43, & 44)	1
47	00-436407-00001	Plate Assy. – Shredder 1/16 (Incls. Items 35, 37, & 44)	1
48	00-436407-00002	Plate Assy. – Shredder 3/32 (Incls. Items 35, 38, & 44)	1
49	00-436407-00003	Plate Assy. – Shredder 1/8 (Incls. Items 35, 39, & 44)	1
50	00-436407-00004	Plate Assy. – Shredder 3/16 (Incls. Items 36, 40, 44, & 45)	1
51	00-436407-00005	Plate Assy. – Shredder 7/32 (Incls. Items 36, 42, 44, & 45)	1
52	00-436407-00006	Plate Assy. – Shredder 5/16 (Incls. Items 36, 41, 44, & 45)	1
53	SD-038-39	Self-Tapping Screw 3.5 mm x 13 mm Slotted Oval Hd., Type AB (SST)	4
	00-274372	Rack – Wall (Incls. Label)	1
	00-274329	Brush – Cleaning	1
	00-436421	Wrench – Decoring Screw	1



**MANUAL PUSH FEED AND PLUNGER**

ILLUS.	PART NO.	NAME OF PART	AMT.
PL-56929			
1	00-875614	Screw – Link .....	2
2	00-875615	Washer (Plastic) .....	2
3	00-875616	Shaft (L 45) .....	1
4	00-875629	Plunger (Hobart) .....	1
5	00-875630	Link .....	1
6	00-875618	Shaft (L56) .....	2
7	00-875631	Screw – Link .....	2
8	00-875632	Sleeve – Link .....	1
9	00-875633	Bushing .....	2
10	00-875622	Bushing .....	1
11	00-875623	Handle – Locking .....	1
12	00-875621	Pin .....	1
13	00-875620	Plate – Feeder .....	1
14	00-875619	Handle – Pusher .....	1
15	00-478905	Knob – Slide .....	3
16	00-875617	Bushing .....	1
17	00-875614	Screw – Link .....	2
18	SC-128-58	Set Screw M6 x 1.0 x 8 mm Hex Hdls., Cup Pt. (SST) .....	1