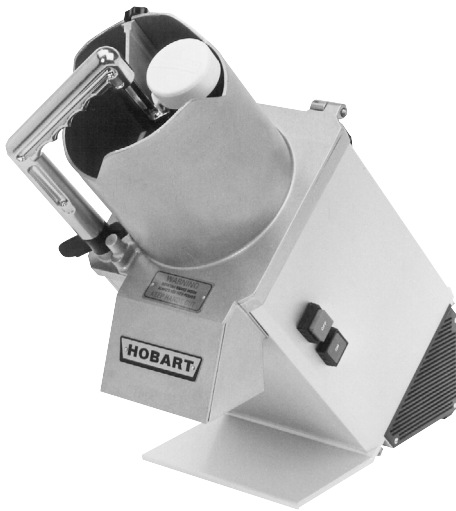




# CATALOG OF REPLACEMENT PARTS

## MODEL FP150 FOOD PROCESSOR



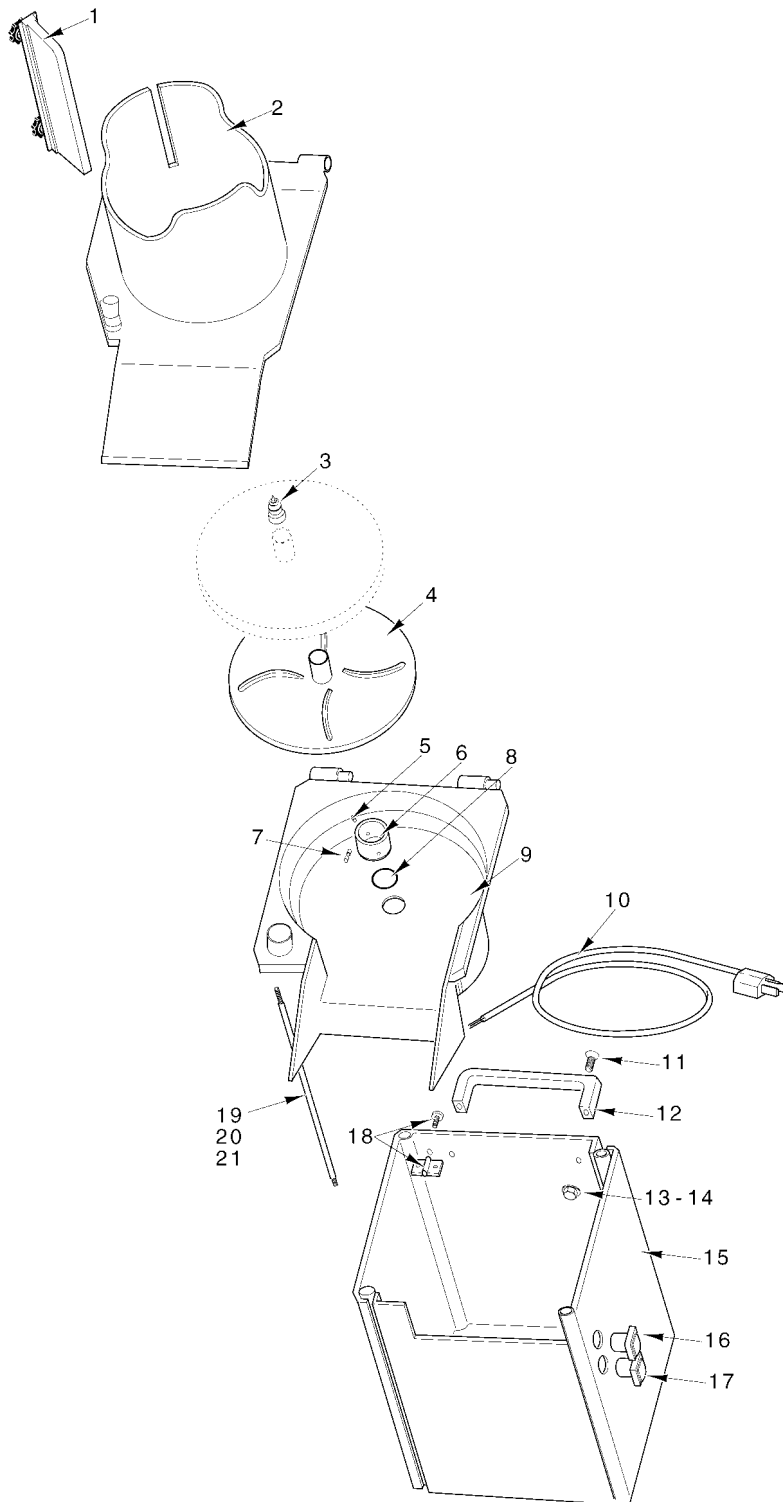
FP150  
FP150C

ML-104600  
ML-134180



### **Table of Contents**

5	HOUSING UNIT
7	MOTOR AND BASE UNIT
9	ACCESSORIES
13	PUSH FEED HANDLE UNIT

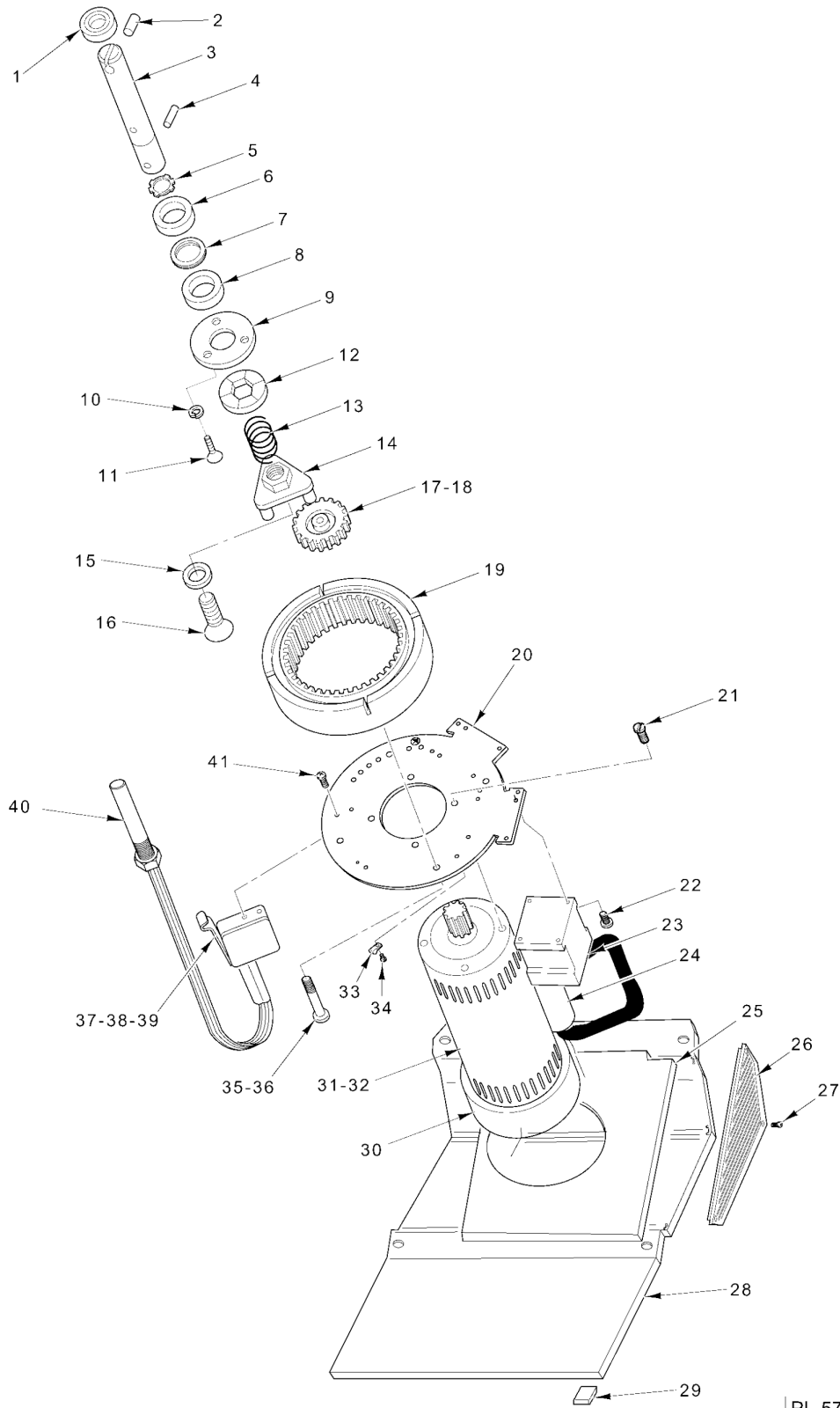


PL-57703

### HOUSING UNIT

### HOUSING UNIT

ILLUS.	PART NO.	NAME OF PART	AMT.
PL-57703			
1	00-436466	Partition - Removable (With Knobs).....	1
2	00-436467	Feed Head Assy.....	1
3	00-436420	Screw - Locking.....	1
4	00-436422	Ejector.....	1
5	00-274323	Pin.....	2
6	00-436418	Sleeve - Thrust.....	1
7	00-436419	Pin - Carrier.....	1
8	00-274321	Seal - Washer.....	1
9	00-436483	Housing - Knife.....	1
10	00-274319	Cord & Plug (110/120 V.).....	1
11	SC-120-90	Mach. Screw M8 x 20mm Cheese Hd.....	2
12	00-274328	Handle Assy. (Incls Items 11, 13, & 14).....	1
13	WL-019-74	Lockwasher 8.2mm Helical.....	2
14	NS-047-36	Nut M8.....	2
15	00-274330	Housing Assy.....	1
16	00-875522	Stop Button Assy.....	1
17	00-875523	Start Button Assy.....	1
18	FE-025-33	Strain Relief (Power Cord).....	1
19	00-274327	Pin Screw Assy. (Incls. Items 20 & 21).....	4
20	WL-019-75	Lockwasher 5.1mm Helical.....	4
21	NS-047-91	Crown Nut M5 x 0.8.....	4



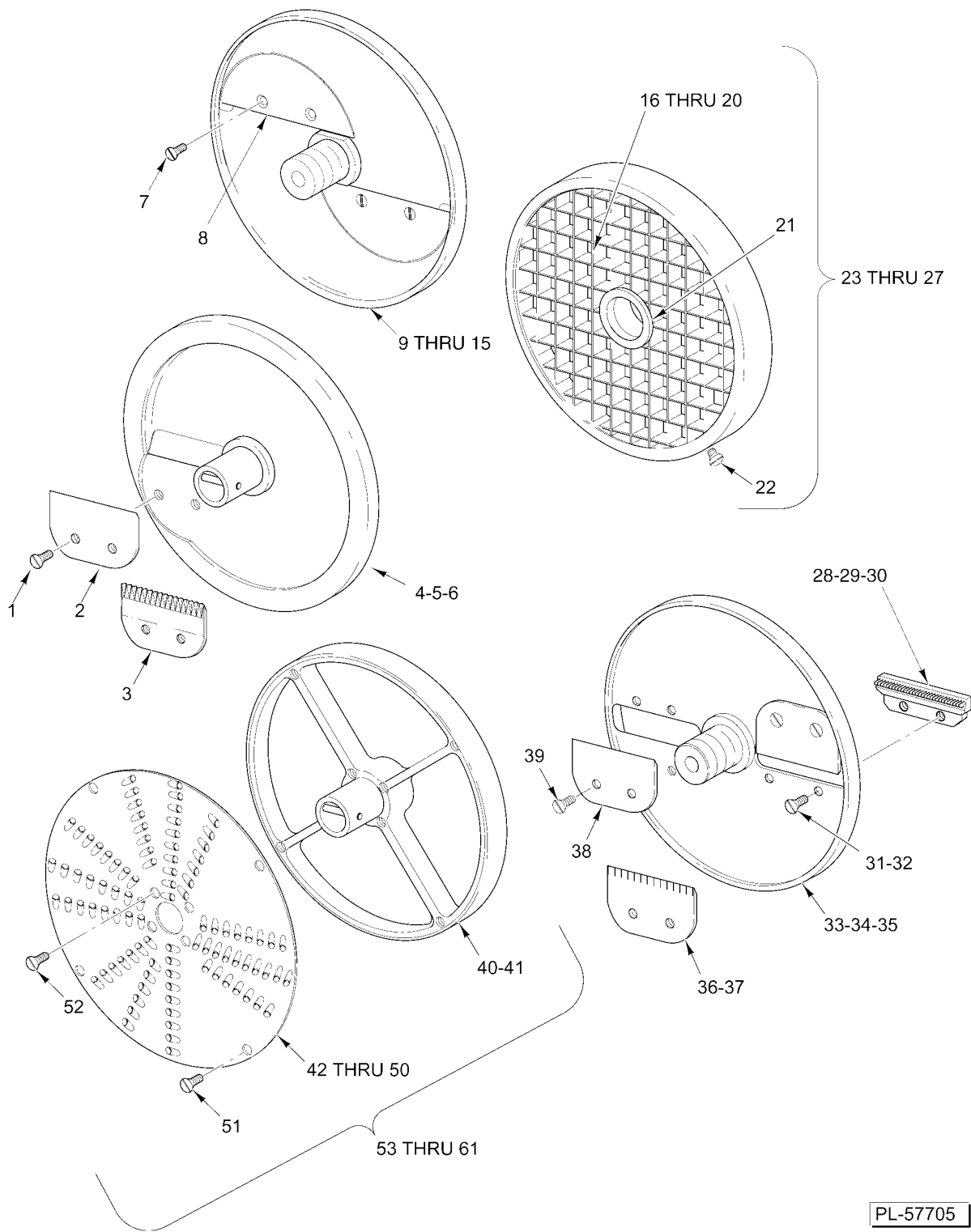
PL-57704

### MOTOR AND BASE UNIT

**MOTOR AND BASE UNIT**

ILLUS.	PART NO.	NAME OF PART	AMT.
PL-57704			
1	00-274333	Seal - Rubber Washer 18 x 30mm.....	1
2	SC-121-48	Set Screw M8 x 12mm Slotted Hdl., Cup Pt. (SST).....	1
3	00-436416	Shaft - Knife.....	1
4	RP-006-24	Roll Pin 6mm x 28mm (SST).....	1
5	00-274400	Clip - Bearing.....	1
6	BB-017-09	Ball Bearing MRC 203S-01-ST-E-92-C.....	1
7	00-274399	Spacer - Bearing.....	1
8	BB-017-09	Ball Bearing MRC 203S-01-ST-E-92-C.....	1
9	00-274403	Shim - Brake.....	1
10	WL-019-75	Lockwasher 5.1mm Helical.....	3
11	SC-120-92	Mach. Screw M5 x 0.8 x 12mm Slotted Cheese Hd. (SST).....	3
12	00-274336	Disc - Brake.....	1
13	00-274394	Spring - Pressure.....	1
14	00-274393	Planet Carrier.....	1
15	00-274376	Washer - Spring.....	1
16	SC-120-93	Mach. Screw M5 x 0.8 x 10mm Hex Flat Hd. (SST).....	1
17	00-274402	Wheel - Planetary.....	3
18	00-274398	Washer - Planetary.....	3
19	00-274397	Ring - Planetary.....	1
20	00-478132	Motor Plate Assy.....	1
21	SC-120-94	Mach. Screw M5 x 0.8 x 10mm Slotted Cheese Hd. (SST).....	4
22	SD-037-41	Self-Tapping Screw 3.5 x 13mm Phil. Oval Hd., Type AB.....	4
*23	00-087713-089-1	Contact (110/120 V., 60 Hz.).....	1
24	00-274344	Circuit RC (110 V.).....	1
25	00-436465	Plate - Fan.....	1
26	00-274351	Louver RH & LH (Incls. Item 27).....	2
27	SD-037-40	Self-Tapping Screw 3.5 x 9.5mm Slotted Oval Hd., Type AB.....	6
28	00-274352	Base Assy. (Incls. Item 34) (Give Serial Number).....	1
29	00-274353	Foot - Rubber.....	4
30	00-274387	Cover - Fan.....	1
31	00-436469	Capacitor - Motor (110/120 V., 60 Hz.) (Not Shown).....	1
32	00-436470	Motor & Gear (110/120 V., 60 Hz.) (Incls. Items 30 & 31).....	1
33	00-274405	Clamp - Cable.....	1
34	SD-037-42	Self-Tapping Screw 3.5 x 9.5mm Phil. Oval Hd., Type AB.....	1
35	SC-120-91	Mach. Screw M5 x 0.8 x 40mm Slotted Cheese Hd. (SST).....	4
36	WL-019-75	Lockwasher 5.1mm Helical.....	4
37	SC-120-95	Mach. Screw M3 x 16mm Phil. Oval Hd. (SST).....	2
38	00-439302	Plate - Insulating.....	1
39	00-439300	Micro-Switch Assy.....	1
40	00-439663	Switch - Reed (110/120 V.).....	1
41	SD-037-42	Self-Tapping Screw 3.5 x 9.5mm Phil. Oval Hd., Type AB.....	2
	SC-118-28	Screw M4 x 0.7 x 12mm Slotted Pan Hd. (Grounding Hardware, Included W/Item 20)	AR
	WL-200-03	Lockwasher 4.1mm Helical (Grounding Hardware, Included With Item 20).....	AR
	NS-047-36	Nut M8 x 1.25 Hex (SST) (Grounding Hardware, Included With Item 20).....	AR

\* For Service on Machines Built Prior to SN 76-1009459, Order 00-478132.



PL-57705

**ACCESSORIES**



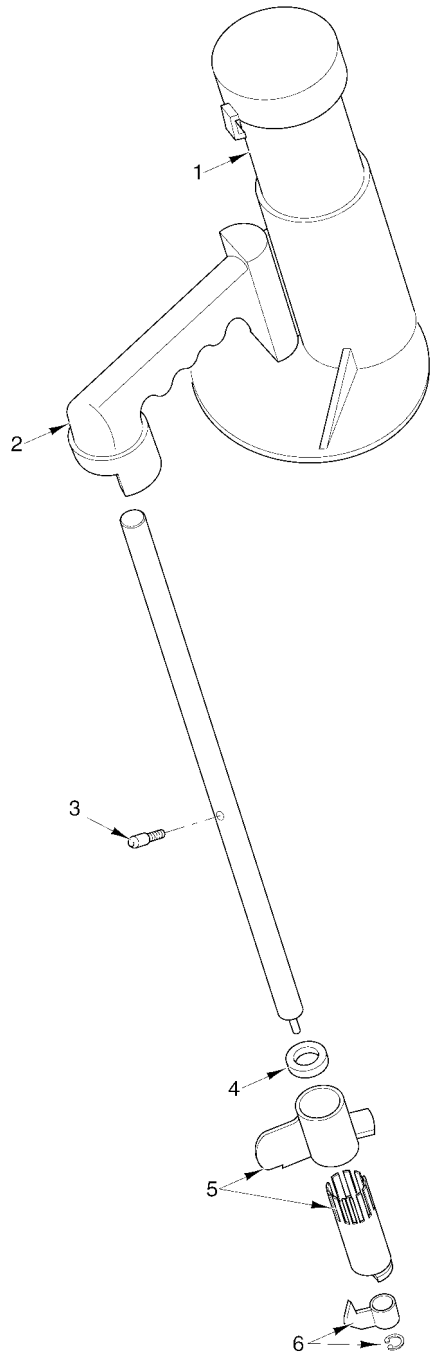
## ACCESSORIES

ILLUS. PL-57705	PART NO.	NAME OF PART	AMT.
1	SC-120-82	Mach. Screw M5 x 0.8 x 0.6mm Slotted Flat Hd. (SST).....	AR
2	00-274317	Knife - Standard Cut Slicer.....	AR
3	00-435128	Knife - Crimping Slicer.....	1
4	00-436458	Plate - Standard Cut Slicer 3/8 In. (1 Knife) (Incls. Items 1 & 2).....	1
5	00-436460	Plate - Crimping Slicer 3/16 In. (1-Knife) (Incls. Items 1 & 3).....	1
6	00-914164	Plate - Slicer 1/2 In. (2 Knife) (Incls. Items 1 & 2).....	1
7	SC-120-82	Mach. Screw M5 x 0.8 x 0.6mm Slotted Flat Hd. (SST).....	AR
8	00-274318	Knife - Fine Cut Slicer.....	AR
9	00-477570	Plate - Fine Cut Slicer 1/8 In. (1-Knife) (Incls. Items 7 & 8).....	1
10	00-436411-00001	Plate - Fine Cut Slicer 1/16 In. (2-Knife) (Incls. Items 7 & 8).....	1
11	00-436412-00005	Plate - Fine Cut Slicer 5/8 In. (1-Knife) (Incls. Items 7 & 8).....	1
12	00-478228	Plate - Fine Cut Slicer 3/32 In. (2-Knife) (Incls. Items 7 & 8).....	1
13	00-436412-00001	Plate - Fine Cut Slicer 5/32 In. (1-Knife) (Incls. Items 7 & 8).....	1
14	00-436412-00002	Plate - Fine Cut Slicer 7/32 In. (1-Knife) (Incls. Items 7 & 8).....	1
15	00-436412-00003	Plate - Fine Cut Slicer 3/8 In. (1-Knife) (Incls. Items 7 & 8).....	1
16	00-477782	Kit - Dicing Grid Knife 9/32 In.....	1
17	00-477783	Kit - Dicing Grid Knife 3/8 In.....	1
18	00-477784	Kit - Dicing Grid Knife 5/8 In.....	1
19	00-477785	Kit - Dicing Grid Knife 3/4 In.....	1
20	00-435116	Kit - French Fry Knife.....	1
21	00-477716	Ring - Center Grid.....	1
22	SC-120-83	Mach. Screw M4 x 0.7 x 0.6mm Slotted Flat Hd. (SST).....	8
23	00-477712	Plate - Dicer 9/32 In. (Incls. Items 16, 21, & 22).....	1
24	00-477713	Plate - Dicer 3/8 In. (Incls. Items 17, 21, & 22).....	1
25	00-477714	Plate - Dicer 5/8 In. (Incls. Items 18, 21, & 22).....	1
26	00-477715	Plate - Dicer 3/4 In. (Incls. Items 19, 21, & 22).....	1
27	00-914165	Plate - Dicer 1/2 In. (Not Shown).....	1
28	00-437549	Knife - Balk 3/32 In. (Use With Item 38).....	2
29	00-437550	Knife - Balk 3/16 In. (Use With Item 36).....	1
30	00-437552	Knife - Balk 5/16 In. (Use With Item 37).....	1
31	SC-118-26	Mach. Screw M4 x 0.7 x 10mm Slotted Flat Hd. (SST).....	AR
32	SC-120-83	Mach. Screw M4 x 0.7 x 0.6mm Slotted Flat Hd. (SST).....	AR
33	00-437252	Plate - Julienne 3/32 In. (2-Knife) (Incls. Items 28, 31, 38, & 39).....	1
34	00-436423-00001	Plate - Julienne 3/16 In. (1-Knife) (Incls. Items 29, 32, 36, & 39).....	1
35	00-437254	Plate - Julienne 5/16 In. (1-Knife) (Incls. Items 30, 32, 37, & 39).....	1
36	00-294968	Knife - Julienne 3/16 In. (Use with Item 29).....	1
37	00-294968-00003	Knife - Julienne 5/16 In. (Use with Item 30).....	1
38	00-274317	Knife - Standard Cut Slicer (Use with Item 28 for 3/32 Julienne).....	2
39	SC-120-82	Mach. Screw M5 x 0.8 x 0.6mm Slotted Flat Hd. (SST).....	AR
40	00-436415	Frame (For 1/16 In., 1/8 In., 3/32 In. & Fine Grater Inserts).....	1
41	00-436414	Frame (For 3/16 In., 5/16 In., 7/32 In., 3/8 In. Inserts).....	1
42	00-435734	Insert - Shredder Plate 1/16 In.....	1
43	00-274409	Insert - Shredder Plate 1/8 In.....	1
44	00-274320	Insert - Shredder Plate 3/32 In.....	1
45	00-274343	Insert - Shredder Plate 3/16 In.....	1
46	00-435735	Insert - Shredder Plate 7/32 In.....	1
47	00-274410	Insert - Shredder Plate 5/16 In.....	1
48	00-875322	Insert - Shredder Plate 3/8 In.....	1
49	00-914232	Insert - Extra Fine Grater Plate.....	1
50	00-436462	Insert - Fine Grater Plate.....	1
51	SD-037-39	Self-Tapping Screw 2.9mm x 13mm Slotted Flat Hd., Type AB (SST).....	AR
52	SD-038-39	Self-Tapping Screw 3.5mm x 13mm Slotted Oval Hd., Type AB (SST).....	AR
53	00-914225	Plate - Extra Fine Grater (Incls. Item 49).....	1
54	00-436484	Plate - Fine Grater (Incls. Items 40, 50, & 52).....	1
55	00-436407-00001	Plate - Shredder 1/16 In. (Incls. Items 40, 42, & 51).....	1

### ACCESSORIES

ILLUS.	PART NO.	NAME OF PART	AMT.
<b>PL-57705</b>			
56	00-436407-00002	Plate - Shredder 3/32 In. (Incls. Items 40, 44, & 51).....	1
57	00-436407-00003	Plate - Shredder 1/8 In. (Incls. Items 41, 44, & 52).....	1
58	00-436407-00004	Plate - Shredder 3/16 In. (Incls. Items 41, 45, 51, & 52).....	1
59	00-436407-00005	Plate - Shredder 5/16 In. (Incls. Items 41, 46, 51, & 52).....	1
60	00-436407-00006	Plate - Shredder 7/32 In. (Incls. Items 41, 47, 51, & 52).....	1
61	00-436407-00007	Plate - Shredder 3/8 In. (Incls. Items 41, 48, 51, & 52).....	1
	00-274372	Rack - Wall (Incls. Label).....	1
	00-274329	Brush - Cleaning.....	1
	00-436421	Wrench - Locking Screw.....	1

## NOTES



PL-57706

### PUSH FEED HANDLE UNIT

**PUSH FEED HANDLE UNIT**

ILLUS. PL-57706	PART NO.	NAME OF PART	AMT.
1	00-274312	Plunger - Pestle.....	1
2	00-436463	Handle - Push (Feed) (Order With Item 3).....	1
3	00-274323	Pin.....	2
4	00-274324	Seal - Rubber Washer.....	1
5	00-274325	Lock - Push Handle.....	1
6	00-437304	Activator & Clip.....	1

