

F2000 and F17 Series Equipment Stands

Parts List

Contents

F17C Common Components	2
F17DD Common Components.....	2
F17FC Common Components.....	3
F17FR Common Components	3
F17OS Common Components.....	4
F17R Common Components.....	4
F2600 Replacement Parts Per Model	5
F2700 Replacement Parts Per Model	5
F2800 Common Components	6
F2900 Common Components	7
Condensing Unit Assembly, 1/5HP, R404A.....	8
Condensing Unit Assembly, 1/5HP, R404A, 9".....	8
Condensing Unit Assembly, 1/4HP, R404A.....	9
Condensing Unit Assembly, 1/3HP, R404A.....	9
Condensing Unit Assembly, 1/2HP, R404A, Lo Temp, Hot Gas	10
Condensing Unit Assembly, 3/4HP, R404A, LoTemp, Hot Gas	10
Evaporator Assembly, Ceiling Mount.....	11
Evaporator Assembly, R404A, Ref.....	11
Evaporator Assembly, R404A, Ref, Fans Left	12
Evaporator Assembly, R404A, Ref, No Probes	12
Evaporator Assembly, Freezer, Energy	13
Evaporator Assembly, Freezer, Remote	13
Drawer Assemblies	14
Condensate Evaporator Pan Assembly	15
Cutting Board Brackets.....	15
Louvered Panel.....	15
Wall Anchor Assemblies.....	15

F17C Common Components

Description	Part Number	Note
Assembly, 14 RT Wall Anchor	000-AMF-0031	[Q]
Bracket, cutting board, left hand	000-405-0031	[O]
Bracket, cutting board, right hand	000-405-0035	[O]
Control, Danfoss, GDM, 115V	RF000084	
Control Knob, Danfoss	2194761	
Leg, 6, S/S, Removable Foot	3234645	
Rocker switch, 20A/125V	2190154	
Switch, SPST, 15 Amp	2194099	
Thermometer Cable, Danfoss	2194791	
Thermometer Display, Digital, Danfoss	2194792	

NOTE: [O] Part drawing on page 15.

NOTE: [Q] Part drawing on page 15.

F17C Components Per Model

Description	Part Number	F17C52	F17C60	F17C68	F17C78	F17C87	F17C95	F17C110	Note
Angle, Coil, Top Baffle	030-209-0030	X							
Assembly, 1/3 HP Condensing Unit	000-BN5-0037							X	[D]
Assembly, 1/4 HP Condensing Unit	000-BN5-0030				X	X	X		[C]
Assembly, 1/5 HP Condensing Unit	000-BN5-0031	X	X	X					[A]
Assembly, drawer, 19" lo profile	000-AEW-0066		X			X			[M]
Assembly, drawer, 27" lo profile	000-AEW-0064		X	X		X	X		[M]
Assembly, drawer, 32" lo profile	000-AEW-0063	X			X			X	[M]
Clip, Coil Air Baffle, Left	243-209-0031	X	X	X	X	X	X	X	
Clip, Coil Air Baffle, Right	243-209-0032		X	X	X	X	X	X	
Coil Assembly, R404A, Ref, Fan Lt	000-248-0037	X							[I]
Coil Assembly, R404A, Ref	000-248-0030		X	X	X	X	X	X	[H]

NOTE: [A] Exploded view on page 8.

NOTE: [C] Exploded view on page 9.

NOTE: [D] Exploded view on page 9.

NOTE: [H] Exploded view on page 11.

NOTE: [I] Exploded view on page 12.

NOTE: [M] Exploded view on page 14.

F17DD Common Components

Description	Part Number	Note
Bracket, cutting board, left hand	000-405-0031	[O]
Bracket, cutting board, right hand	000-405-0035	[O]

NOTE: [O] Exploded view on page 15.

F17FC Common Components

Description	Part Number	Note
Bracket, cutting board, left hand	000-405-0031	[O]
Bracket, cutting board, right hand	000-405-0035	[O]
Coil Assembly, Freezer Evaporator, R404A	000-249-0004	[K]
Leg, 6, S/S, Removable Foot	3234645	
Thermometer, Hanging, 4"	3516135	
Thermometer Cable, Danfoss	2194791	
Thermometer Display, Digital, Danfoss	2194792	

NOTE: [K] Exploded view on page 13.

NOTE: [O] Part drawing on page 15.

F17FC Components Per Model

Description	Part Number	F17FC60	F17FC76	F17FC84	F17FC94	Note
Assembly, 1/2HP Condenser, Low	000-BN5-0054	X				[E]
Assembly, 3/4 HP Condenser, Low	000-BN5-0055		X	X	X	[F]
Assembly, drawer, 19" freezer, lo-profile	000-AEW-006J		X			[M]
Assembly, drawer, 27" freezer, lo-profile	000-AEW-006H		X	X		[M]
Assembly, drawer, 32" freezer, lo-profile	000-AEW-006G	X			X	[M]
Control, Freezer, 115V	RF000085	X	X	X	X	
Control, Pressure, High	3516247		X	X	X	
Panel, louver, 18"	356-478-0034	X				
Panel, louver, 24"	356-478-0046		X	X	X	
Switch, SPST, 15 Amp, 120V	2190154	X	X	X	X	
Switch, SPST, 20 Amp, Brown	2194241		X	X	X	

NOTE: [E] Exploded view on page 10.

NOTE: [F] Exploded view on page 10.

NOTE: [M] Exploded view on page 14.

F17FR Common Components

Description	Part Number	Note
Assembly, Condensate Evaporator Pan	000-AMR-0030	[N]
Bracket, cutting board, left hand	000-405-0031	[O]
Bracket, cutting board, right hand	000-405-0035	[O]
Coil Assembly, Freezer Evaporator, Remote	000-249-0006	[L]
Control, Temperature	3516056	
Leg, 6, S/S, Removable Foot	3234645	
Thermometer Cable, Danfoss	2194791	
Thermometer Display, Digital, Danfoss	2194792	
Timer, Paragon, #8145-00	2194151	

NOTE: [L] Exploded view on page 13.

NOTE: [N] Exploded view on page 15.

NOTE: [O] Part drawing on page 15.

F17FR Components Per Model

Description	Part Number	F17FR48	F17FR58	F17FR66	F17FR76	Note
Assembly, drawer, 19" freezer, lo-profile	000-AEW-006J		X			[M]
Assembly, drawer, 27" freezer, lo-profile	000-AEW-006H		X	X		[M]
Assembly, drawer, 32" freezer, lo-profile	000-AEW-006G	X			X	[M]

NOTE: [M] Exploded view on page 14.

F17OS Common Components

Description	Part Number	Note
Bracket, cutting board, left hand	000-405-0031	[O]
Bracket, cutting board, right hand	000-405-0035	[O]
Leg, 6, S/S, Removable Foot	3234645	

NOTE: [O] Part drawing on page 15.

F17R Common Components

Description	Part Number	Note
Assembly, Condensate Evaporator Pan	000-AMR-0030	[N]
Bracket, cutting board, left hand	000-405-0031	[O]
Bracket, cutting board, right hand	000-405-0035	[O]
Leg, 6, S/S, Removable Foot	3234645	
Thermostat Assembly, Danfoss	000-282-006T	
Thermometer Cable, Danfoss	2194791	
Thermometer Display, Digital, Danfoss	2194792	

NOTE: [N] Exploded view on page 15.

NOTE: [O] Part drawing on page 15.

F17R Components Per Model

Description	Part Number	F17R44	F17R52	F17R60	F17R70	F17R79	F17R87	F17R102	Note
Angle, Coil, Top Baffle	030-209-0030	X							
Assembly, drawer, 19" lo profile	000-AEW-0066		X			X			[M]
Assembly, drawer, 27" lo profile	000-AEW-0064		X	X		X	X		[M]
Assembly, drawer, 32" lo profile	000-AEW-0063	X			X			X	[M]
Clip, Coil Air Baffle, Left	243-209-0031	X	X	X	X	X	X		
Clip, Coil Air Baffle, Right	243-209-0032		X	X	X	X	X		
Coil Assembly, R404A, Ref, Fan Lt	000-248-0037	X							[I]
Coil Assembly, R404A, Ref	000-248-0030		X	X	X	X	X	X	[H]

NOTE: [H] Exploded view on page 11.

NOTE: [I] Exploded view on page 12.

NOTE: [M] Exploded view on page 14.

F2600 Replacement Parts Per Model

Description	Part Number	F2660	F2694	Note
Assembly, 1/2 HP Condenser, Low, HG	000-BN5-0054	X		[E]
Assembly, 3/4 HP Condenser, Low, HG	000-BN5-0055		X	[F]
Assembly, Drawer Sys, Freezer	000-AEW-007K	X	X	[M]
Assembly, wall anchor, 18" louver	000-AMF-0033	X		[Q]
Assembly, wall anchor, 24" louver	000-AMF-0034		X	[Q]
Coil Assembly, Freezer Evaporator, R404A	000-249-0004	X	X	[K]
Control, Freezer, 115V	RF000085	X	X	
Control, Pressure, High	3516247		X	
Leg, 6, S/S, Removable Foot	3234645	X	X	
Panel, LVR Lo-Profile	359-478-004J	X		[P]
Panel, LVR Lo-Profile	359-478-004K		X	[P]
Switch, SPST, 15 Amp	2190154	X	X	
Switch, SPST, 20 Amp, Brown	2194241		X	
Thermometer, Hanging, 4"	3516135	X	X	
Thermometer Cable, Danfoss	2194791	X	X	
Thermometer Display, Digital, Danfoss	2194792	X	X	

NOTE: [E] Exploded view on page 10.

NOTE: [F] Exploded view on page 10.

NOTE: [K] Exploded view on page 13.

NOTE: [M] Exploded view on page 14.

NOTE: [P] Part drawing on page 15.

NOTE: [Q] Part drawing on page 15.

F2700 Replacement Parts Per Model

Description	Part Number	F2748	F2776	Note
Assembly, Condensate Evaporator Pan	000-AMR-0030	X	X	[N]
Assembly, Drawer Sys, Freezer	000-AEW-007K	X	X	[M]
Assembly, wall anchor, lo pro	000-AMF-0030	X	X	[Q]
Coil, Solenoid, 120V/50Amp	3516053	X	X	
Coil Assembly, Freezer Evaporator, Remote	000-249-0006	X	X	[L]
Control, Temperature	3516056	X	X	
Leg, 6, S/S, Removable Foot	3234645	X	X	
Thermometer, Hanging	3516135	X	X	
Thermometer Cable, Danfoss	2194791	X	X	
Thermometer Display, Digital, Danfoss	2194792	X	X	
Timer, Paragon, #8145-00	2194151	X	X	
Valve, Solenoid, 1/4ODF	3516102	X	X	

NOTE: [L] Exploded view on page 13.

NOTE: [M] Exploded view on page 14.

NOTE: [N] Exploded view on page 15.

NOTE: [Q] Part drawing on page 15.

F2800 Common Components

Description	Part Number	Note
Assembly, Condensate Evaporator Pan	000-AMR-0030	[N]
Clip, Coil Air Baffle, Left	243-209-0031	
Clip, Coil Air Baffle, Right	243-209-0032	
Leg, 6, S/S, Removable Foot	3234645	
Thermometer, Hanging, 4"	3516135	
Thermometer Cable, Danfoss	2194791	
Thermometer Display, Digital, Danfoss	2194792	
Thermostat Assembly, Danfoss	000-282-006T	

NOTE: [N] Exploded view on page 15.

F2800 Components Per Model

Description	Part Number	F2852	F2856	F2862	F2875	F2880	F2887	F2899	F28110	Note
Assembly, wall anchor, 14" louver	000-AMF-0031						X		X	[Q]
Assembly, wall anchor, 16" louver	000-AMF-0032			X	X	X				[Q]
Assembly, wall anchor, 18" louver	000-AMF-0033		X					X		[Q]
Assembly, wall anchor, lo pro	000-AMF-0030	X								[Q]
Coil Assembly, R404A, Ref	000-248-0030	X		X	X	X	X	X	X	[H]
Coil Assembly, R404A, Ref, Fan Lt	000-248-0037		X							[I]
Drawer system, 19", lo-profile	000-AEW-007F	X		X			X	X		[M]
Drawer system, 27", lo-profile	000-AEW-007D	X		X	X		X			[M]
Drawer system, 32", lo-profile	000-AEW-007C		X		X	X			X	[M]

NOTE: [H] Exploded view on page 11.

NOTE: [I] Exploded view on page 12.

NOTE: [M] Exploded view on page 14.

NOTE: [Q] Part drawing on page 15.

F2900 Common Components

Description	Part Number	Note
Caster, 5, Plate, Swivel	3234198	
Caster, 5, Plate, Swivel, Break	3234199	
Control Kit, Danfoss, GDM, 115V	RF000084	
Control Knob, Danfoss	2194761	
Switch, rocker, 20A/125V	2190154	
Thermometer Cable, Danfoss	2194791	
Thermometer Display, Digital, Danfoss	2194792	

F2900 Components Per Model

Description	Part Number	F2936C	F2952C	F2956C	F2962C	F2975C	F2980C	F2987C	F2999C	F29110C	Note
Angle, Coil, Top Baffle	030-209-0030		X	X							
Assembly, 1/3 HP Condensing Unit	000-BN5-0037									X	[D]
Assembly, 1/4 HP Condensing Unit	000-BN5-0030					X	X	X	X		[C]
Assembly, 1/5 HP Condensing Unit	000-BN5-0031		X	X	X						[A]
Assembly, 1/5 HP Condensing Unit, 9"	000-BN5-0067	X									[B]
Assembly, Wall Anchor, 9 Right Lo Pro	000-AMF-0031	X									[Q]
Assembly, wall anchor, 14" louver	000-AMF-0031		X					X		X	[Q]
Assembly, wall anchor, 16" louver	000-AMF-0032				X	X	X				[Q]
Assembly, wall anchor, 18" louver	000-AMF-0033			X					X		[Q]
Clip, Coil Air Baffle, Left	243-209-0031		X	X	X	X	X	X	X	X	
Clip, Coil Air Baffle, Right	243-209-0032				X	X	X	X	X	X	
Coil Assembly, Ceiling Mount, 120V, Axial Fan	000-248-002A	X									[G]
Coil Assembly, R404A, Ref	000-248-0030				X	X	X	X	X	X	[H]
Coil Assembly, R404A, Ref, Fan Lt	000-248-0037		X	X							[I]
Coil Assembly, R404A, Ref, No Probes	000-248-0036							X	X	X	[J]
Cover, Access, Lift Off	409-144-0033	X									
Drawer System, 19", lo-profile	000-AEW-007F				X			X			[M]
Drawer system, 27", lo-profile	000-AEW-007D				X			X	X		[M]
Drawer system, 27", lo-profile, Shallow/Full	000-AEW-0082	X									[M]
Drawer system, 32", lo-profile	000-AEW-007C		X	X		X	X			X	[M]
End, Right, Lo Pr, Comp, Louver	359-CQL-0039	X									
Louver Panel, 9"	359-478-004M	X									[P]
Louver Panel, 14"	359-478-004H		X					X		X	[P]
Louver Panel, 16"	359-478-004L				X	X	X				[P]
Louver Panel, 18"	359-478-004J			X	X				X		[P]
Thermometer, Hanging	3516135		X	X	X	X	X	X	X	X	

NOTE: [A] Exploded view on page 8.

NOTE: [B] Exploded view on page 8.

NOTE: [C] Exploded view on page 9.

NOTE: [D] Exploded view on page 9.

NOTE: [G] Exploded view on page 11.

NOTE: [H] Exploded view on page 11.

NOTE: [I] Exploded view on page 12.

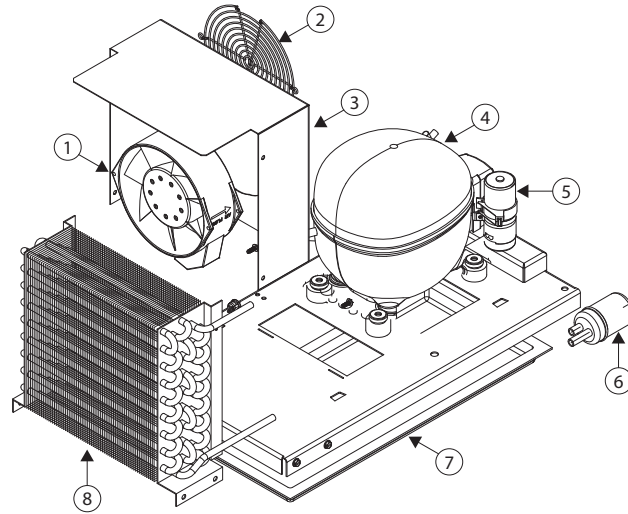
NOTE: [J] Exploded view on page 12.

NOTE: [M] Exploded view on page 14.

NOTE: [P] Part drawing on page 15.

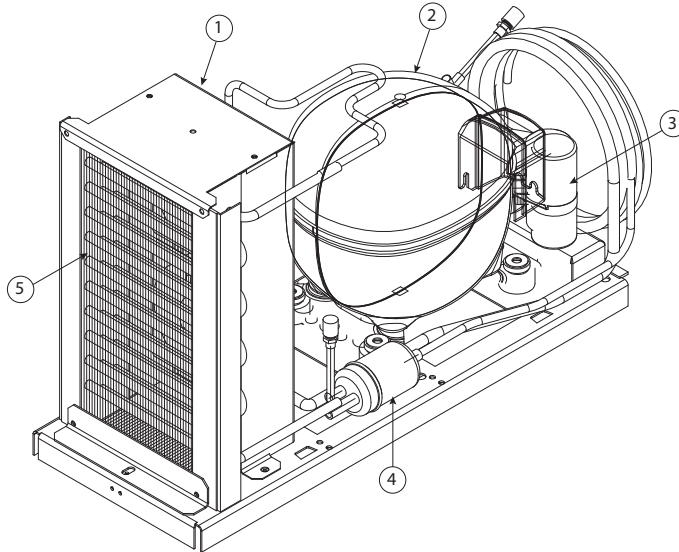
NOTE: [Q] Part drawing on page 15.

Condensing Unit Assembly, 1/5HP, R404A



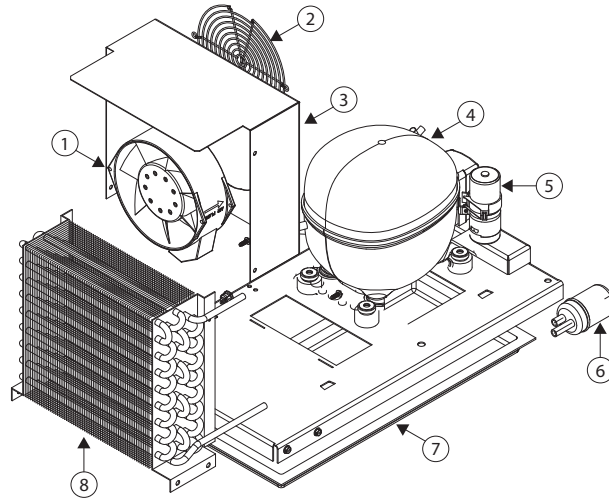
Key	Description	Part Number
-	Assembly, 1/5 Condensing Unit	000-BN5-0031
1	Fan, Axial, 5.5"; 120V	2160028
2	Guard, Fan, 6.0"	2160030
3	Shroud, Condenser Coil	026-C58-0037
4	Compressor, Danfoss, TF4CLS	3526997
5	Start Capacitor	2194787
	Comp, Relay, Danfoss	3516446
6	Filter Drier	3516322
7	Condensate Pan	075-231-0030
8	Condenser Coil	3516454

Condensing Unit Assembly, 1/5HP, R404A, 9"



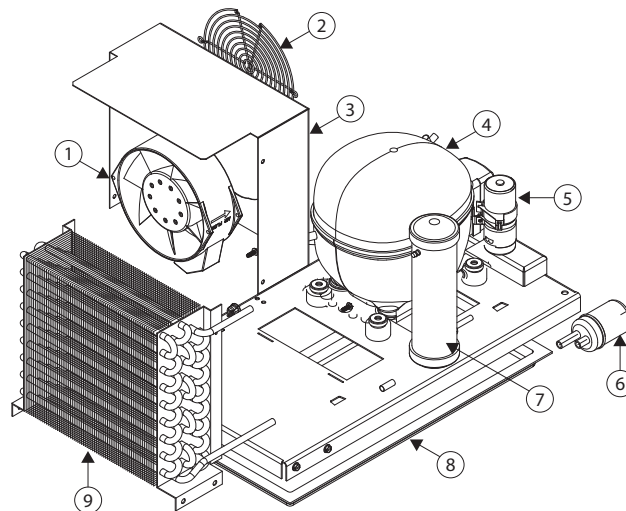
Key	Description	Part Number
-	Assembly, 1/5 Condensing Unit, 9"	000-BN5-0067
1	Fan, Axial, 120V	2160023
1	Guard, Fan, 4.7"	2160024
2	Compressor, 1/5HP, 115/60, R404A	3526997
3	Capacitor, Start, 280MFD	2194787
3	Compressor, Relay, Danfoss	3516446
4	Drier, Filter, (2)Inlet	3516322
5	Coil, Condenser	3516259
-	Pan, Condensate, SM	039-231-0036

Condensing Unit Assembly, 1/4HP, R404A



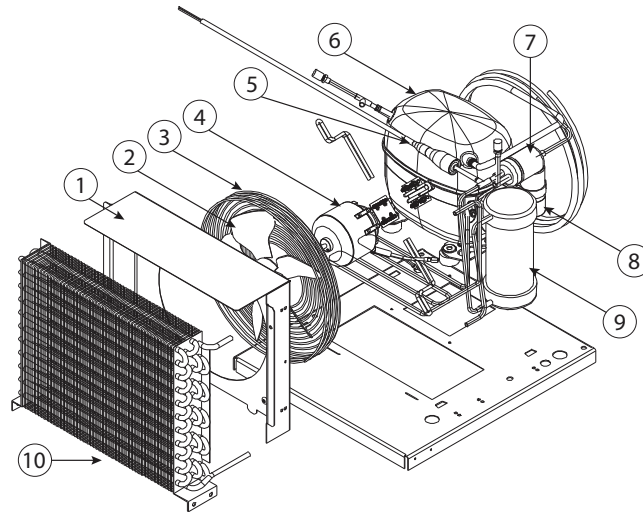
Key	Description	Part Number
-	Assembly, 1/4 HP Condensing Unit	000-BN5-0030
1	Fan, Axial, 5.5", 120V	2160028
2	Guard, Fan, 6.0"	2160030
3	Shroud, Condenser Coil	026-C58-0037
4	Compressor, NF5.5CLX, 115V, 60HZ	3526999
5	Capacitor, Start, 280MFD	2194787
	Compressor, Relay, Overload, NF5.5CLX	3516444
6	Drier, Filter, (2)Inlet	3516322
7	Pan, Condensate, SM	039-231-0030
8	Coil, Condenser, 1/5, 1/4, 1/3HP	3516454

Condensing Unit Assembly, 1/3HP, R404A



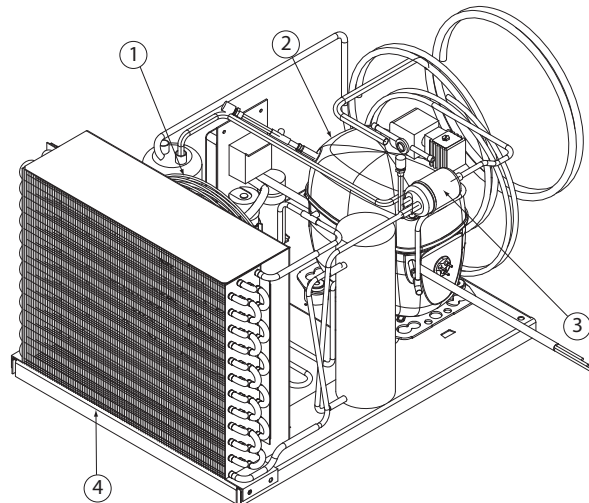
Key	Description	Part Number
-	Assembly, 1/3 Condensing Unit	000-BN5-0037
1	Fan, Axial, 5.5", 120V	2160028
2	Guard, Fan, 6.0"	2160030
3	Shroud, Condenser Coil	026-C58-0037
4	Compress, Danfoss, NF7CLS	3527000
5	Start Capacitor	2194788
	Relay, overload, compressor	3516438
6	Filter Drier	3516322
7	Receiver tank, Installation note: Re-piping may be required	3516658
8	Pan, Condensate	075-231-0030
9	Condenser Coil	3516454

Condensing Unit Assembly, 1/2HP, R404A, Lo Temp, Hot Gas



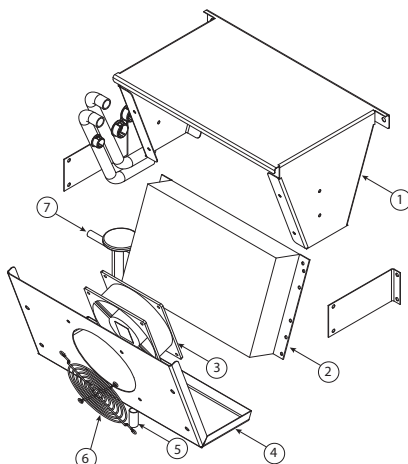
Key	Description	Part Number
-	Assembly, 1/2HP Condenser, Low, Hot gas	000-BN5-0054
1	Shroud, 1/2 HP Condenser Coil	026-C58-0031
2	Blade, Fan, 9.00"	3516554
3	Guard, Fan, Wire	2160019
4	Motor, Fan, 16W, 115V, CW	2162716
5	Cutout, High Pressure	3516324
6	Compressor, SC12CLX.2,115/60HZ	3527001
7	Drier, Filter, (2)Inlet	3516322
8	Capacitor, Start, 240MFD	2194789
8	Relay, Comp, SC12CLX.2	3516441
9	Receiver Tank	3516659
10	Coil, Condenser, 1/2 HP	3516455
-	Pan, Comp, 18.00	024-034-0031

Condensing Unit Assembly, 3/4HP, R404A, LoTemp, Hot Gas



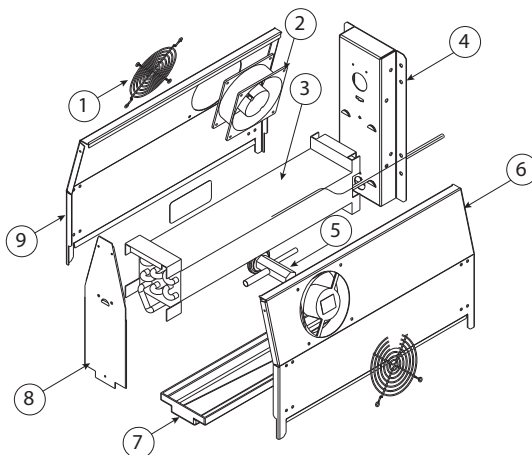
Key	Description	Part Number
-	Assembly, 3/4 HP Condenser, Low, Hot gas	000-BN5-0055
1	Guard, fan condenser	2160019
	Motor, condenser fan 16W, 155V	2162716
	Blade, fan 10" CW	3516433
2	Compressor, SC18CLS.2, 115V60hz	3527002
	Capacitor, start, run assembly	3516442
3	Filter drier	3516322
4	Coil, condenser, 3/4hp	3516456

Evaporator Assembly, Ceiling Mount



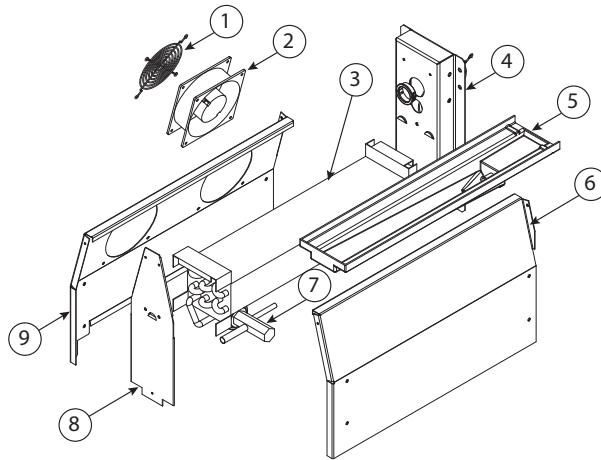
Key	Description	Part Number
-	Coil Assembly, Ceiling Mount, 120V, Axial Fan	000-248-002A
1	Body, coil, ceiling mount	223-232-0034
2	Coil, evaporator	3510084
3	Fan, Axial, 120V	2160023
4	Front, coil, ceiling mount, axial fan	223-234-0033
5	Drain, SS, 1/2" long	035-227-000F
6	Guard, fan, 4.7"	2160024
7	Expansion valve, 1/8, Low, R-404a	3516394
-	Harness, coil	2183854
-	Probe, Defrost, Danfoss, Control	2194808
-	Probe, Temp, Sensor, Danfoss	2194809

Evaporator Assembly, R404A, Ref



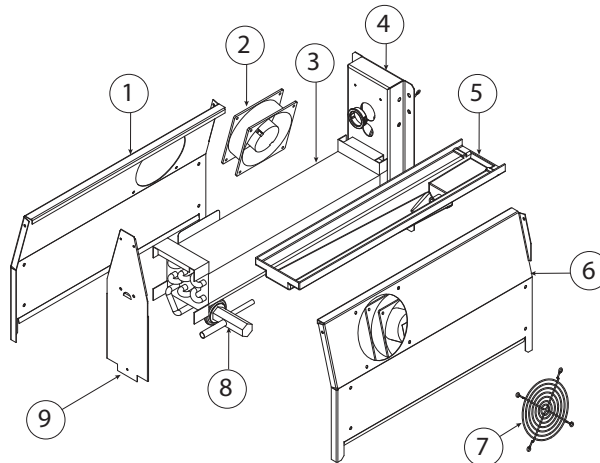
Key	Description	Part Number
-	Coil Assembly, R404A, Ref	000-248-0030
1	Guard, fan, 4.7"	2160024
2	Fan, Axial, 120V	2160023
3	Coil, evaporator	3516095
4	Back, evaporator, enclosure	030-232-0003
5	Expansion valve, 1/4, R-404a	3516273
6	Side, coil, angled	030-233-0001
7	Drip pan, evaporator	075-231-0033
8	Front, coil	030-234-0003
9	Side, coil, angled, Left	030-233-0002
-	Harness, coil	2184317
-	Probe, Defrost, Danfoss, Control	2194808
-	Probe, Temp, Sensor, Danfoss	2194809

Evaporator Assembly, R404A, Ref, Fans Left



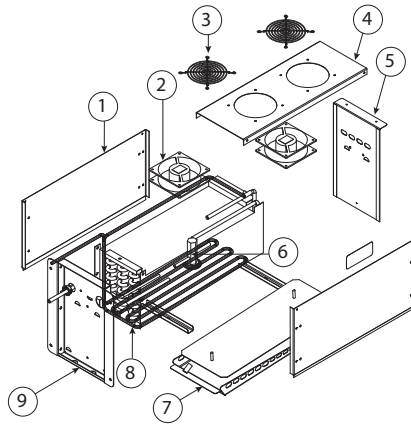
Key	Description	Part Number
-	Coil Assembly, R404A, Ref, Fan Lt	000-248-0037
1	Guard, fan, 4.7"	2160024
2	Fan, Axial, 120V	2160023
3	Coil, evaporator	3516095
4	Back, evaporator, enclosure	030-232-0003
5	Drip pan, evaporator	000-BNH-0030
6	Side, coil, angled, Rt, Blank	030-233-0038
7	Expansion valve, 1/4, R-404a	3516273
8	Front, coil	030-234-0003
9	Side, Coil, Angled, Lt, 2Fan	030-233-0039
-	Harness, coil	2184317
-	Probe, Defrost, Danfoss, Control	2194808
-	Probe, Temp, Sensor, Danfoss	2194809

Evaporator Assembly, R404A, Ref, No Probes



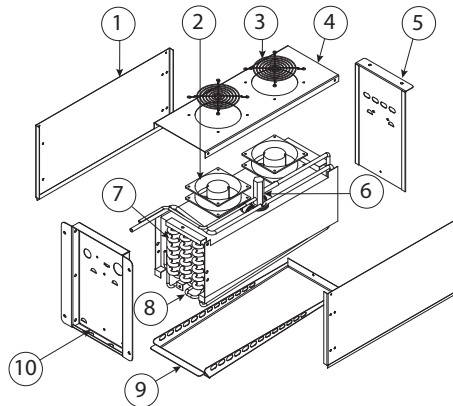
Key	Description	Part Number
-	Coil Assembly, R404A, Ref, No Probes	000-248-0036
1	Side, Coil, Angled, Lt	030-233-0002
2	Fan, Axial, 120V	2160023
3	Coil, evaporator	3516095
4	Back, evaporator, enclosure	030-232-0003
5	Drip pan, evaporator	000-BNH-0030
6	Side, coil, angled, Rt	030-233-0001
7	Guard, fan, 4.7"	2160024
8	Expansion valve, 1/4, R-404a	3516273
9	Front, coil	030-234-0003
-	Harness, coil	2184317

Evaporator Assembly, Freezer, Energy



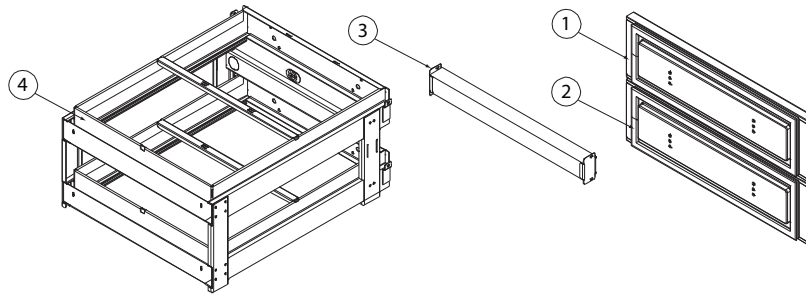
Key	Description	Part Number
-	Coil Assembly, Evaporator, Freezer	000-249-0004
1	Side, evaporator	030-262-0001
2	Fan, Axial	2160023
3	Guard, fan, 4.7", SC120-W2	2160024
4	Top, Freezer, evaporator	030-260-0001
5	Front, enclosure	030-259-0000
6	Valve, expansion, R404a	3516271
7	Pan, freezer evaporator	265-261-0001
8	Coil, Evaporator	3516073
9	Back, evaporator	030-263-0001
-	Harness, coil, Freezer, male	2184318
-	Probe, Defrost, Danfoss, Control	2194808
-	Probe, Temp, Sensor, Danfoss	2194809

Evaporator Assembly, Freezer, Remote



Key	Description	Part Number
-	Coil Assembly, Freezer Evaporator, Remote	000-249-0006
1	Side, evaporator	030-262-0001
2	Fan, Axial	2160023
3	Guard, fan, 4.7", SC120-W2	2160024
4	Top, Freezer, evaporator	030-260-0001
5	Front, enclosure	030-259-0000
6	Valve, expansion, R404a	3516271
7	Coil, Evaporator	3516073
8	Heater, Defrost	2194034
9	Pan, freezer evaporator	265-261-0001
10	Back, evaporator	030-263-0001
-	Control, Limit, Fan Delay/Defrost	2194046
-	Fuse, Defrost Heater, 7 Amp	2194631
-	Harness, coil, Freezer, male, remote	2184323

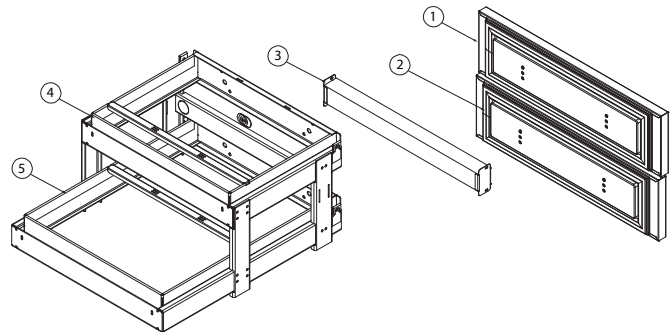
Drawer Assemblies



Key	Description	Part Number
Assembly, drawer, 32" frz, lo profile		000-AEW-006G
1	Front, drawer, 32" lo profile	000-328-0033
2	Gasket, drawer, 32" lo profile	1701197
3	Mullion, Freezer, 32" Drawer	000-315-003B
4	Assembly, drawer box, 32"	000-333-0043
-	Interm profile, LH (with nylon rollers)	3234925
-	Interm profile, RH (with nylon rollers)	3234926
Assembly, drawer, 27" frz, lo profile		000-AEW-006H
1	Front, drawer 27" lo profile	000-328-0032
2	Gasket, drawer 27" lo profile	1701196
3	Mullion, Freezer, 27" Drawer	000-315-003A
4	Assembly, drawer box, 27" lo profile	000-333-0044
-	Interm profile, LH (with nylon rollers)	3234925
-	Interm profile, RH (with nylon rollers)	3234926
Assembly, drawer, 19" frz, lo profile		000-AEW-006J
1	Front, drawer, 19"	000-328-0030
2	Gasket, drawer 19" lo profile	1701194
3	Mullion, Freezer, 19" Drawer	000-315-0038
4	Assembly, drawer box, 19"	000-333-0046
-	Interm profile, LH (with nylon rollers)	3234925
-	Interm profile, RH (with nylon rollers)	3234926
Assembly, drawer, 32" lo profile		000-AEW-0063
1	Front, drawer, 32" lo profile	000-328-0033
2	Gasket, drawer, 32" lo profile	1701197
3	Mullion, refrigerator, 32" drawer	000-315-0033
4	Assembly, drawer box, 32"	000-333-0043
-	Interm profile, LH (with nylon rollers)	3234925
-	Interm profile, RH (with nylon rollers)	3234926
Assembly, drawer 27" lo profile		000-AEW-0064
1	Front, drawer 27" lo profile	000-328-0032
2	Gasket, drawer 27" lo profile	1701196
3	Mullion, refrigerator, 27" drawer	000-315-0032
4	Assembly, drawer box, 27" lo profile	000-333-0044
-	Interm profile, LH (with nylon rollers)	3234925
-	Interm profile, RH (with nylon rollers)	3234926
Assembly, drawer, 19" lo profile		000-AEW-0066
1	Front, drawer, 19"	000-328-0030
2	Gasket, drawer 19" lo profile	1701194
3	Mullion, refrigerator, 19" drawer	000-315-0030
4	Assembly, drawer box, 19"	000-333-0046
-	Interm profile, LH (with nylon rollers)	3234925
-	Interm profile, RH (with nylon rollers)	3234926
Drawer system, 32", lo-profile		000-AEW-007C
1	Drawer front, 32"	000-328-003J
2	Gasket, drawer, 32"	1701197
3	Mullion, refrigerator, 32" drawer	000-315-0033
4	Drawer box, 32"	000-333-0043
-	Track, interm, left hand	3234925
-	Track, interm, right hand	3234926

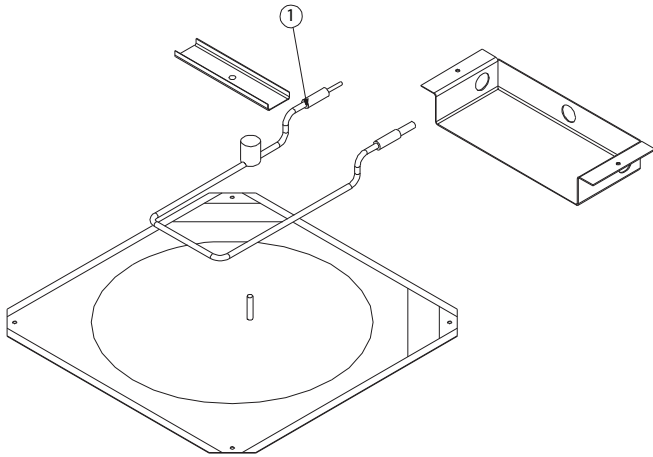
Key	Description	Part Number
Drawer system, 27", lo-profile		000-AEW-007D
1	Drawer front, 27"	000-328-003I
2	Gasket, drawer, 27"	1701196
3	Mullion, refrigerator, 27" drawer	000-315-0032
4	Drawer box, 27"	000-333-0044
-	Track, interm, left hand	3234925
-	Track, interm, right hand	3234926
Drawer system, 19", lo-profile		000-AEW-007F
1	Drawer front, 19"	000-328-003G
2	Gasket, drawer, 19"	1701194
3	Mullion, refrigerator, 19" drawer	000-315-0030
4	Drawer box, 19"	000-333-0046
-	Track, interm, left hand	3234925
-	Track, interm, right hand	3234926
Assembly, Drawer Sys, Freezer		000-AEW-007K
1	Front, 32 Drawer Freezer 3-HI	000-328-003J
2	Gasket, Drawer, 24, 2-High, Lo	1701195
3	Mullion, Freezer, 32" Drawer	000-315-003B
4	Assembly, Drawer Box, 32"	000-333-0043
-	Interm Profile, LH, Reg	3234925
-	Interm Profile, RH, Reg	3234926

Shallow Drawer Assembly



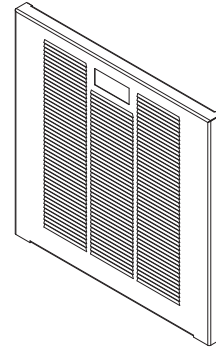
Key	Description	Part Number
Drawer system, 27", lo-profile, Shallow/Full		000-AEW-0082
1	Front, 27 Drawer 3-HI	000-328-003I
2	Gasket, Drawer, 24, 2-High, Lo	1701392
3	Mullion, Drawer, Ref, 27", Narrow	000-315-0032
4	Assembly, drawer box, shallow depth 27"	000-333-004B
5	Assembly, drawer box, 27" lo profile	000-333-0044
-	Interm Profile, LH, Reg	3234925
-	Interm Profile, RH, Reg	3234926
-	Interm Profile, LH, Shallow	3234935
-	Interm Profile, RH, Shallow	3234936

Condensate Evaporator Pan Assembly



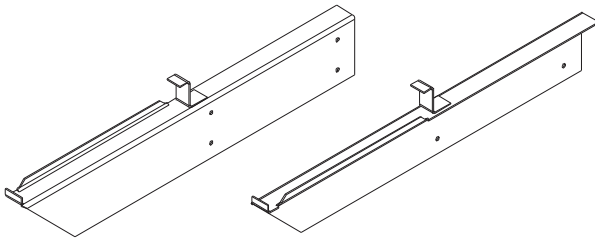
Key	Description	Part Number
-	Assembly, Condensate Evaporator Pan	000-AMR-0030
1	Element, Heating, Condenser Evaporator	2194199

Louvered Panel



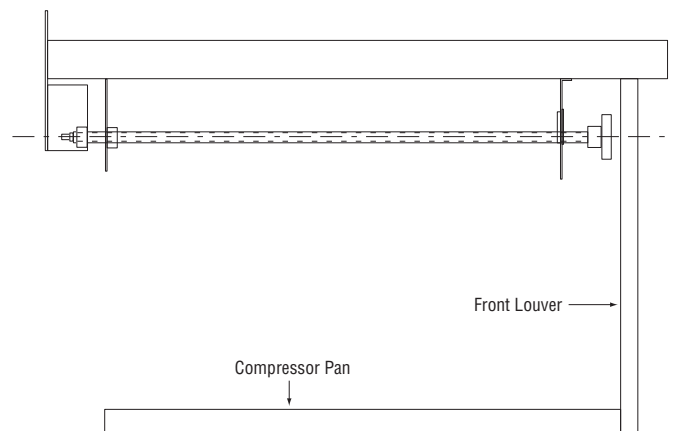
Louver Panel, 9"	359-478-004M
Louver Panel, 14"	359-478-004H
Louver Panel, 16"	359-478-004L
Louver Panel, 18"	359-478-004J

Cutting Board Brackets



Bracket, cutting board, left hand	000-405-0031
Bracket, cutting board, right hand	000-405-0035

Wall Anchor Assemblies



Description	Part Number
Assembly, wall anchor, 9 right lo pro	000-AMF-0031
Assembly, wall anchor, 14 RT	000-AMF-0031
Assembly, wall anchor, 16" louver	000-AMF-0032
Assembly, wall anchor, 18" louver	000-AMF-0033
Assembly, wall anchor, 24" louver	000-AMF-0034
Assembly, wall anchor, lo pro	000-AMF-0030



1-844-724-CARE • www.mtwkitchencare.com