

Diagram

Refrigerated Work Tables & Equipment Stands

F17, F18, 18600 & F2000 SERIES MODELS

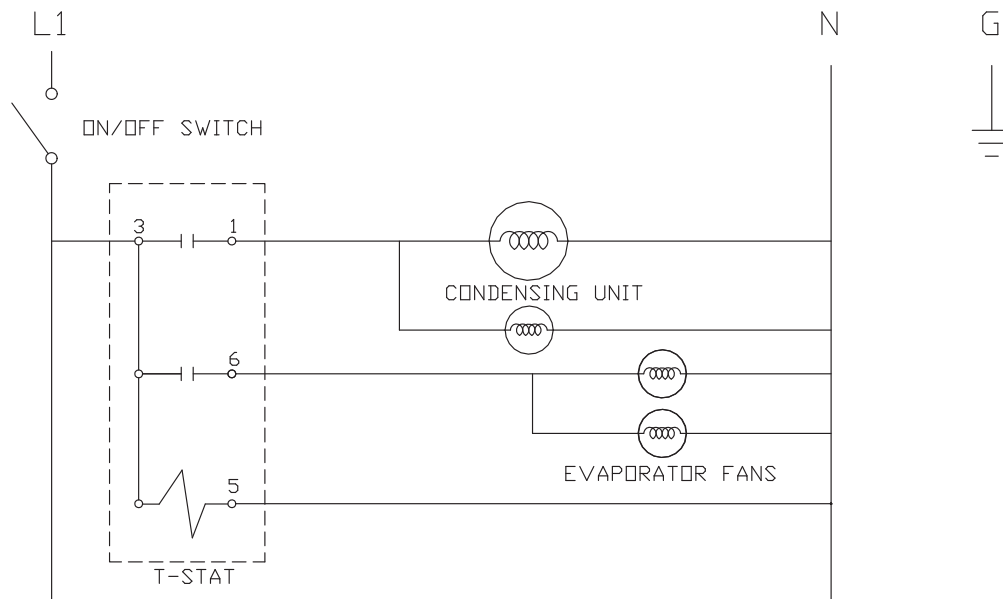
F17C Series Self Contained Equipment Stands

F18WC Series Self-Contained Work Tables

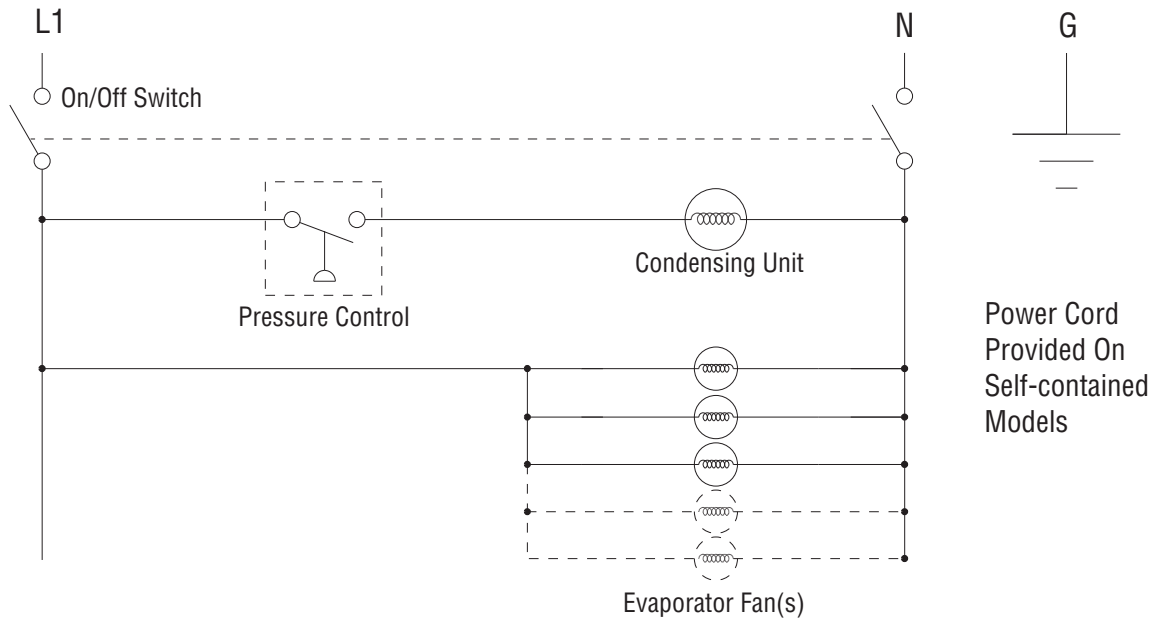
18600BUCM Series Self-Contained Work Tables

18600BSTM Series Self-Contained Work Tables With Backsplash

F2900 Series Self Contained Low-Profile Equipment Stands



F18WC-E Export Series Self-Contained Work Tables

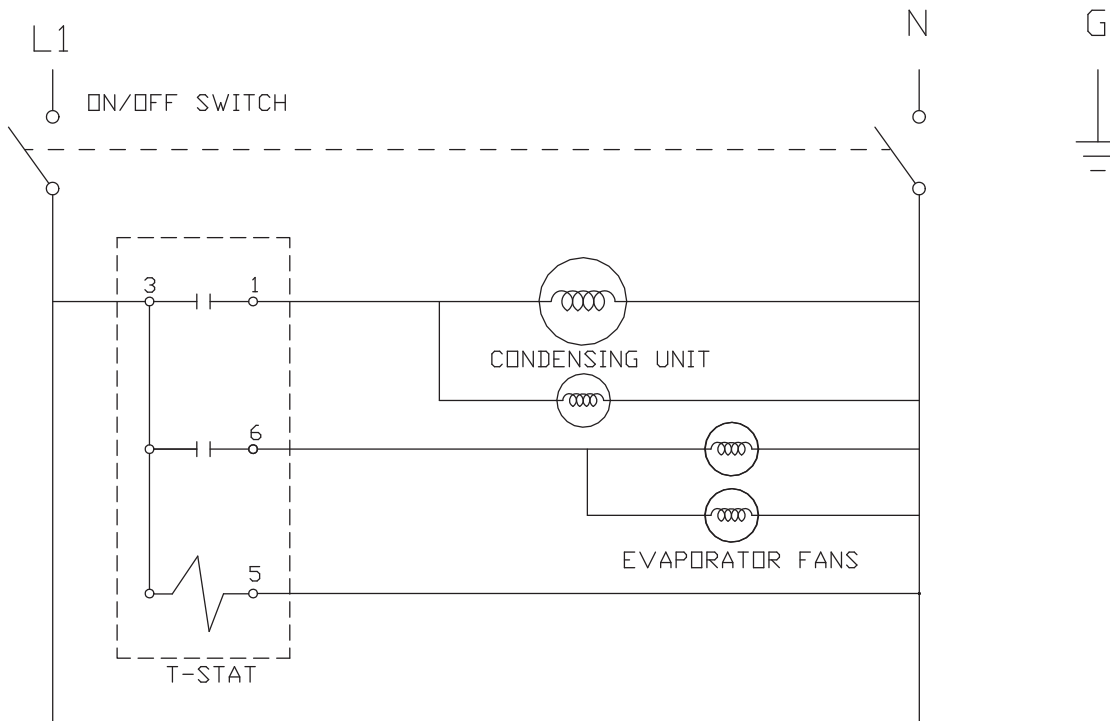


F17C-E Export Series Self Contained Equipment Stands

18600BUC-E Export Series Self-Contained Work Tables

18600BST-E Export Series Self-Contained Work Tables With Backsplash

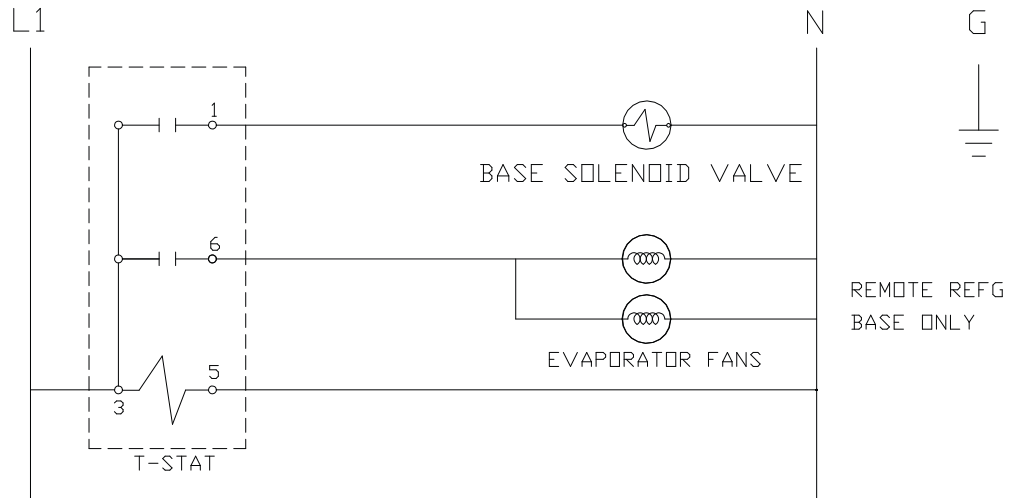
F2900-E Export Series Self Contained Low-Profile Equipment Stands



F17R Series Remote Equipment Stands

F18WR Series Remote Work Tables

F2800 Series Remote Low-Profile Equipment Stands



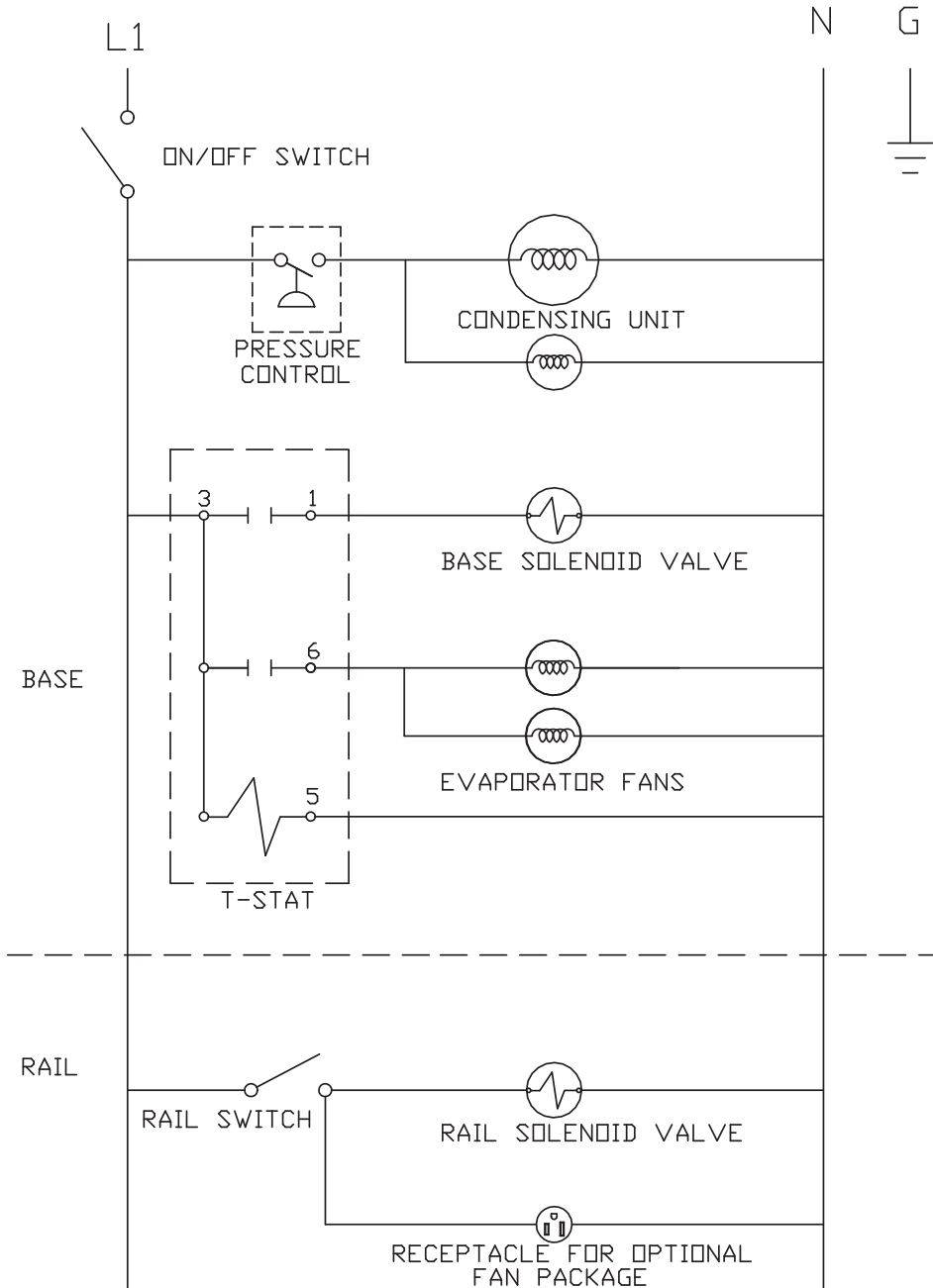
NOTE: Provided with 6.00" (15cm) leads from junction box for field connection.

F18MC Series Self-Contained Mega Top Tables

F18SC Series Self-Contained Salad Top Tables

F18DC Series Self-Contained Quick Glance Rail

F18RC Series Self-Contained Reduced Height Rail

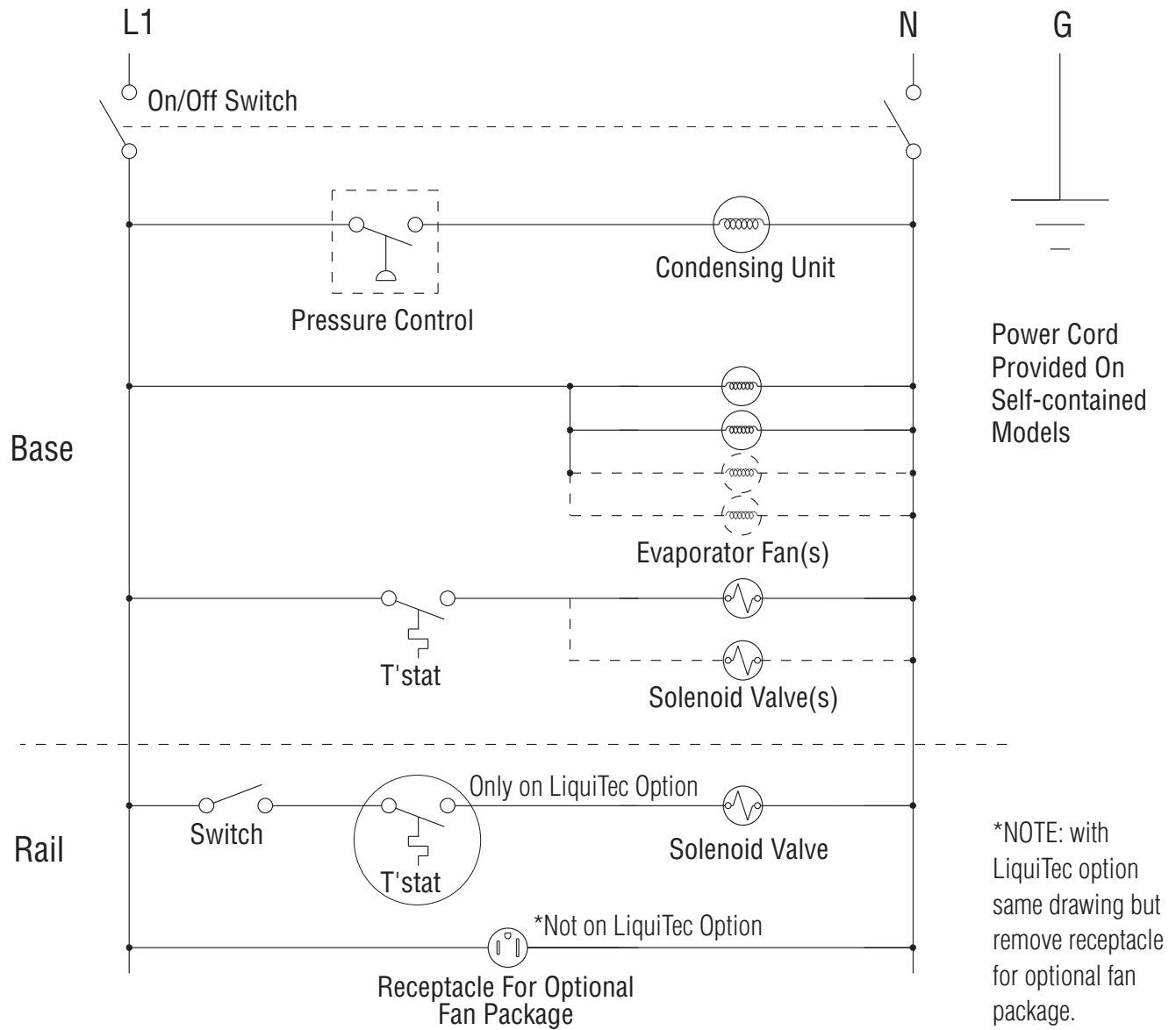


F18MC-E Export Series Self-Contained Mega Top Tables

F18SC-E Export Series Self-Contained Salad Top Tables

F18DC-E Export Series Self-Contained Quick Glance Rail

F18RC-E Export Series Self-Contained Reduced Height Rail

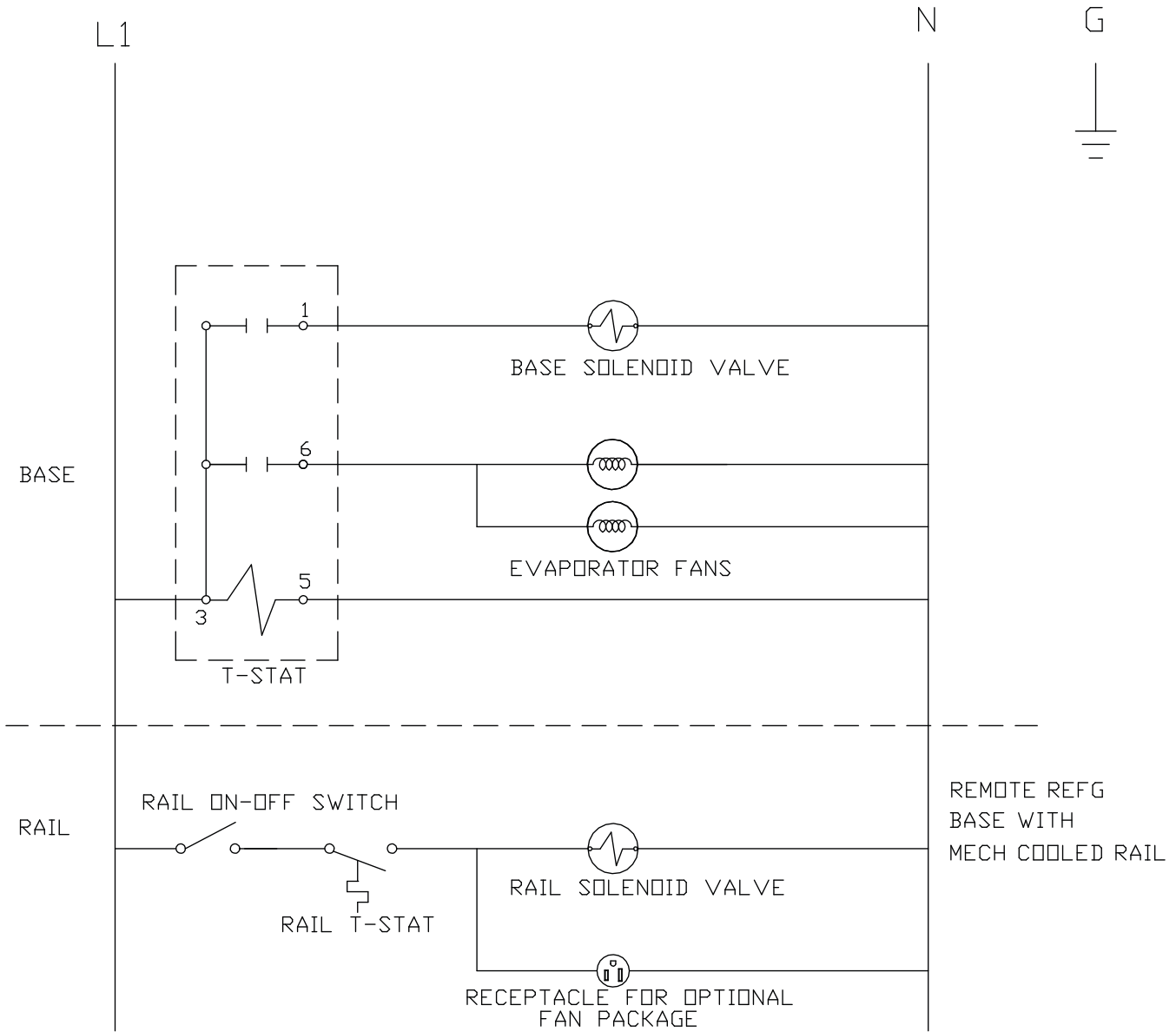


F18MR Series Remote Mega Top Tables

F18SR Series Remote Salad Top Tables

F18DR Series Remote Quick Glance Rail

F18RR Series Remote Reduced Height Rail



F18PD Series Self-Contained Dual Rails

