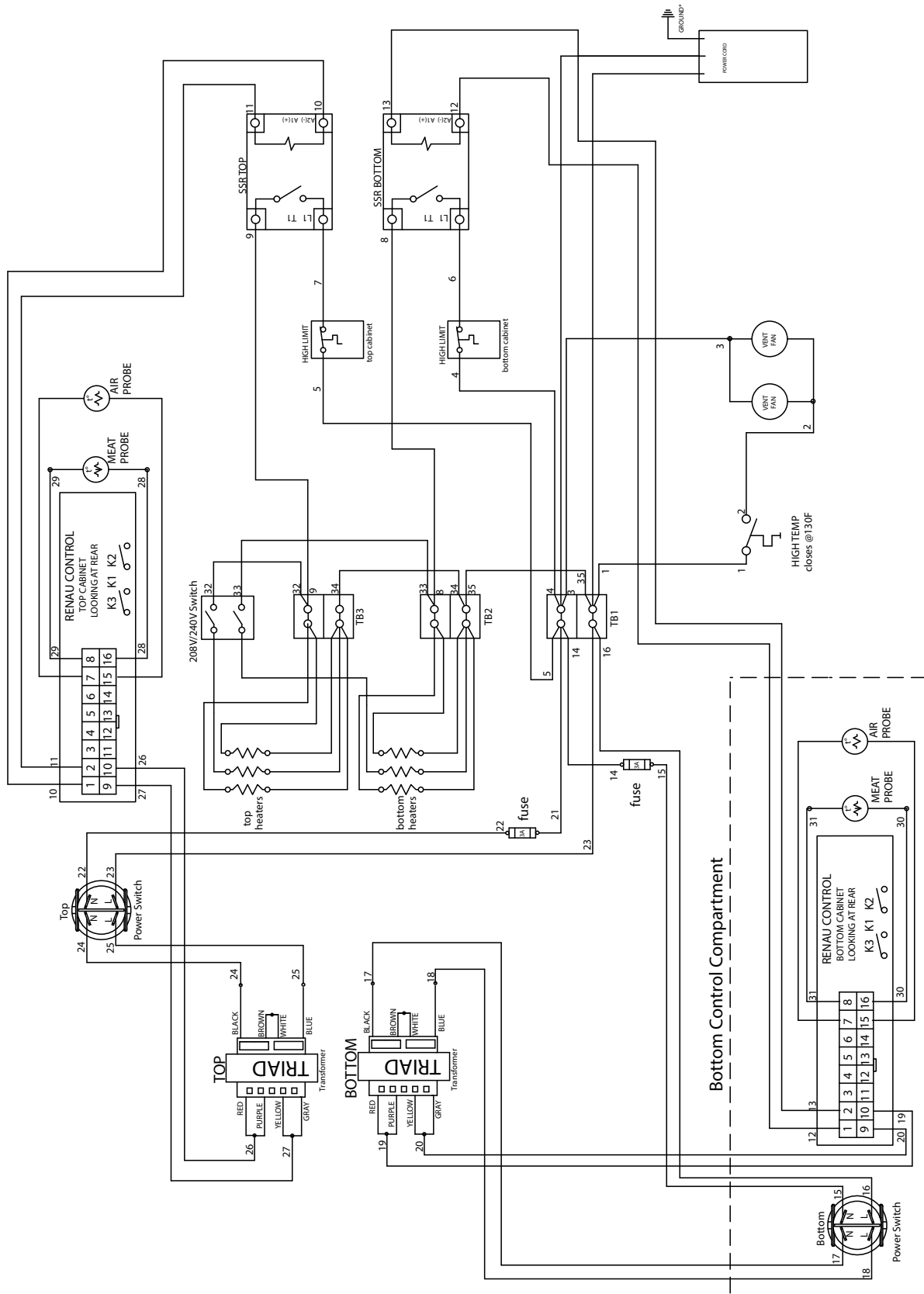


## WIRING DIAGRAM FOR 1000-CH-D SERIES



Ovens	<b>FL-2340-D</b>
Rev. 1 (10/13)	Page 12 of 12

## WIRING DIAGRAM FOR 1000-CH-SS-SPLIT-D and 1000-CH-SS-SPLITD120

