



The Choice of Experience

CATALOG OF
REPLACEMENT PARTS

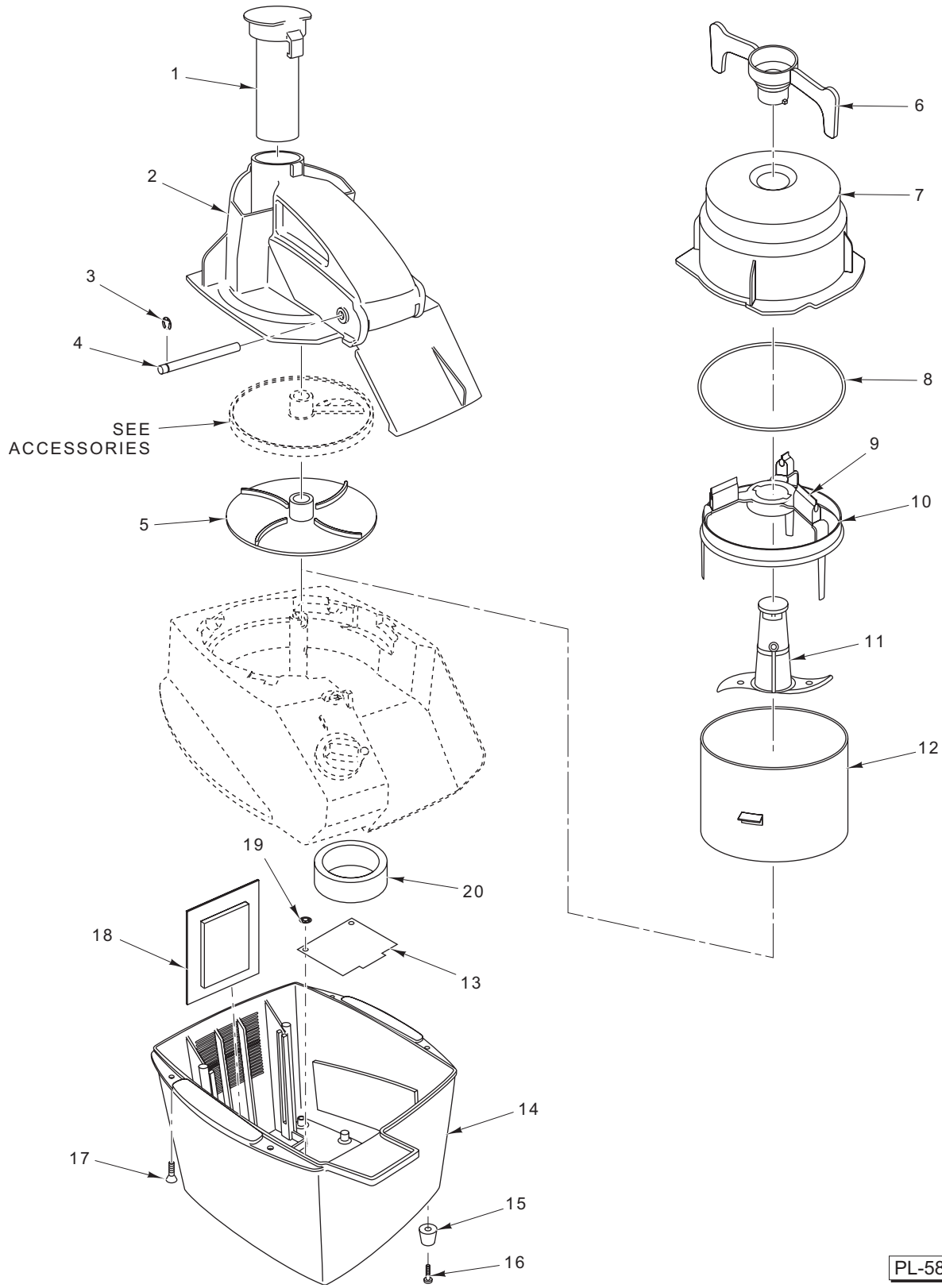


MODELS
CC34, B32, & C32
FOOD PROCESSORS

EFFECTIVE FEBRUARY 2008

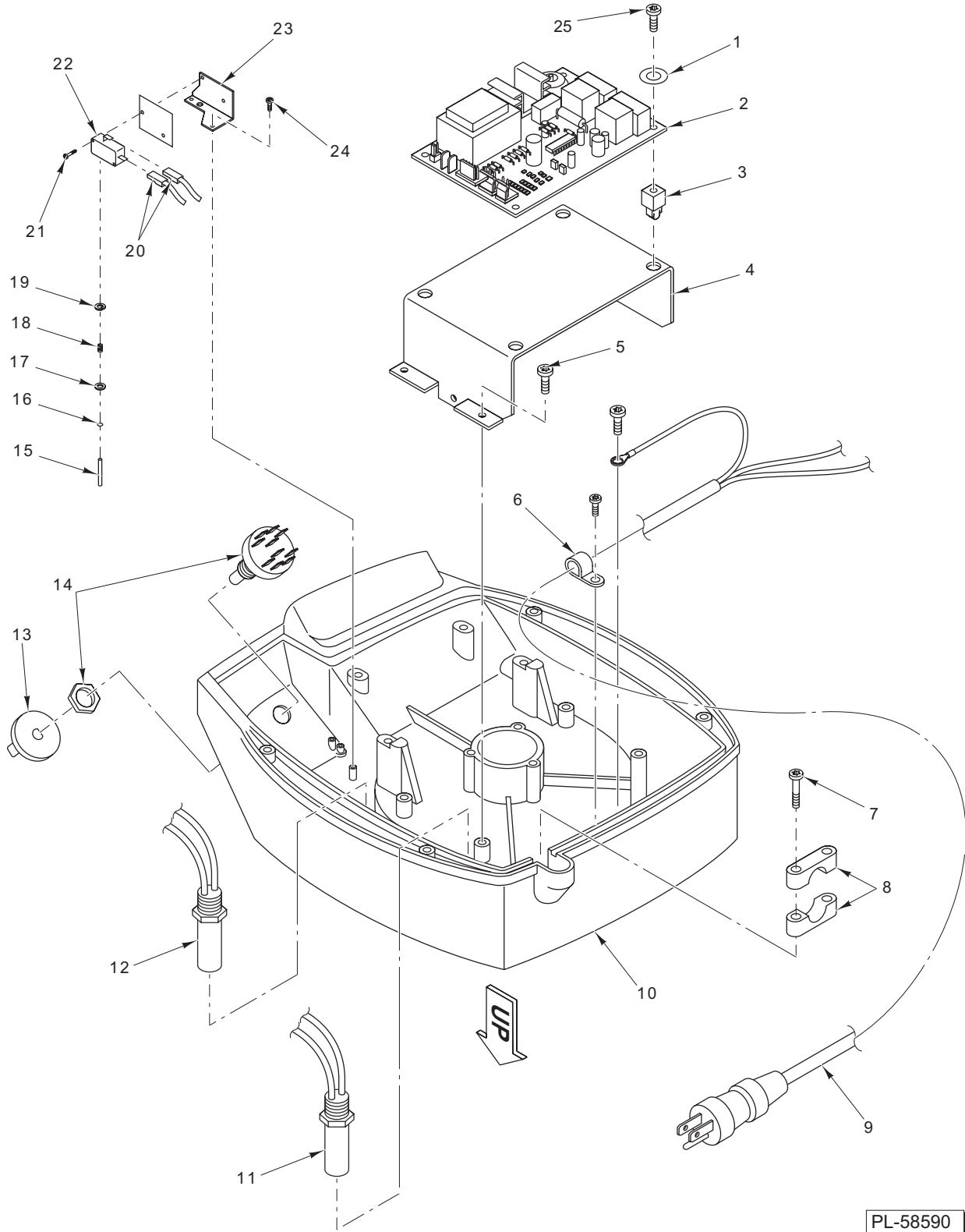
Table of Contents

5	FEED HEAD AND HOUSING
7	ELECTRICAL COMPONENTS
9	MOTOR AND SHAFT ASSEMBLY
11	ACCESSORIES



FEED HEAD AND HOUSING

ILLUS. PL-58589	PART NO.	NAME OF PART	AMT.
1	CC34-24309	Pusher	1
2	CC34-24628	Feed Head	1
3	CC34-10593	Lockwasher.....	2
4	CC34-24177	Shaft	1
5	CC34-83032	Ejector Plate	1
6	CC34-24134	Handle – Scraper.....	1
7	CC34-24245	Lid Assy. (Incls. Item 8).....	1
8	CC34-24133	Ring – Seal (5 In.).....	1
9	CC34-24132	Blade – Scraper.....	3
10	CC34-24135	Ring – Scraper.....	1
11	CC34-24153	Knife Head	1
12	CC34-24151	Bowl	1
13	CC34-24300	Screen	1
14	CC34-24160	Housing – Base	1
15	CC34-10494	Foot.....	4
16	CC34-14333	Screw M4 x 12	4
17	CC34-14249	Screw M5 x 14 Phil. Pan Hd.....	4
18	CC34-24176	Baffle.....	1
19	CC34-10681	Lockwasher.....	4
20	CC34-24296	Ring – Seal (Fan).....	1
	CC34-24244	Scraper Assy. (Incls. Items 6, 8, 9, & 10).....	1
	CC34-24122	Bowl Assy. (Incls. Items 6 thru 12).....	1
	CC34-24628	Continuous Feed Attachment (Incls. Items 1 thru 5).....	1



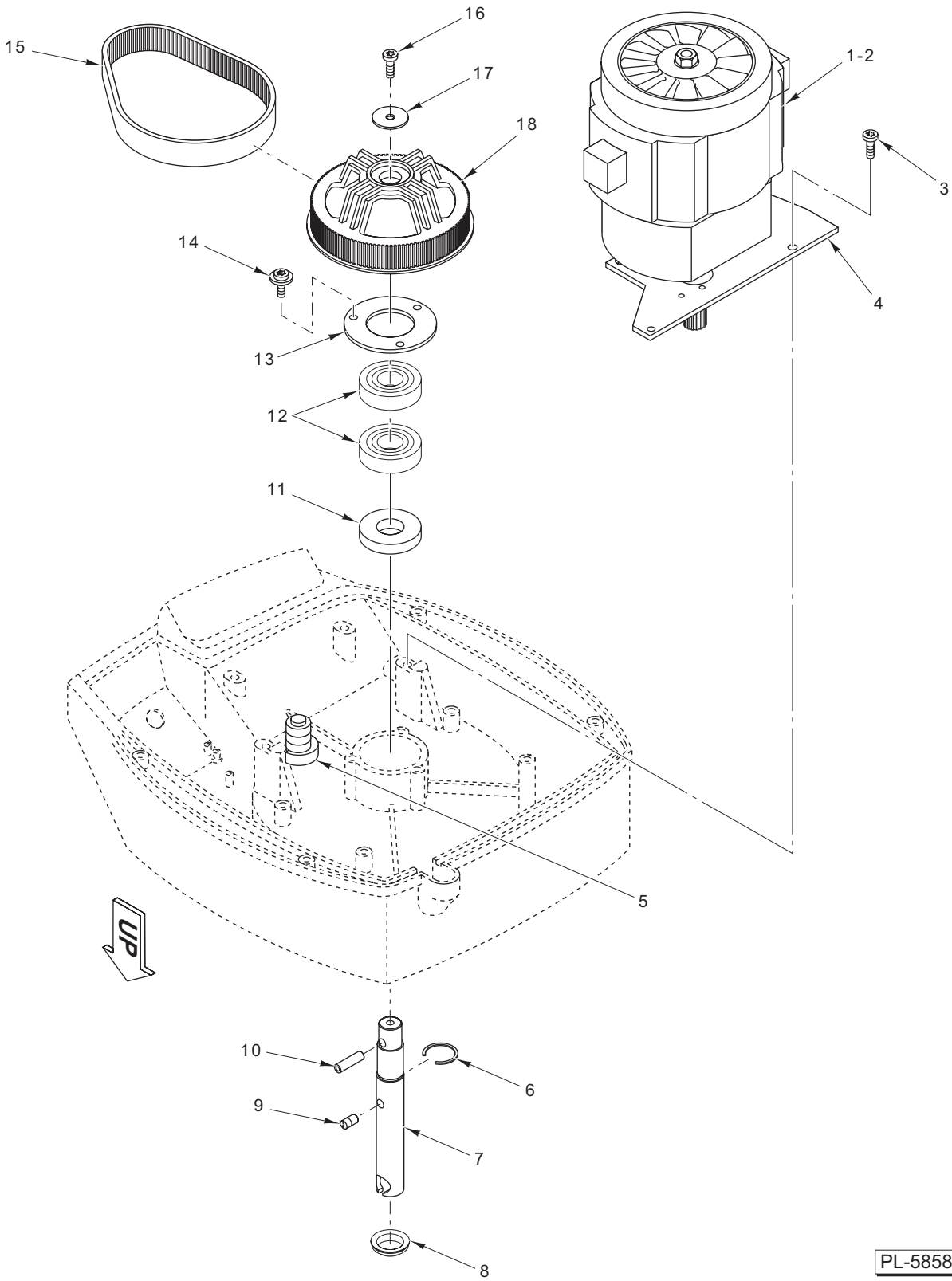
PL-58590

ELECTRICAL COMPONENTS

ELECTRICAL COMPONENTS

ILLUS.	PART NO.	NAME OF PART	AMT.
	PL-58590		
1	CC34-14072	Washer – Nylon	4
*2	CC34-24255	Board – Control.....	1
3	CC34-10587	Standoff.....	4
*4	CC34-24268	Plate.....	1
5	CC34-14852	Screw M5 x 10	4
6	CC34-15422	Clamp	1
7	CC34-14336	Screw M4 x 25	2
8	CC34-10589	Clamp – Strain Relief.....	1
9	CC34-24211	Cord – Power.....	1
10	CC34-24297	Housing – Top.....	1
*11	CC34-24332	Switch – Magnetic (Safety)	1
*12	CC34-24333	Switch – Magnetic (Speed Control)	1
13	CC34-24152	Knob – Speed Control	1
*14	CC34-24294	Switch – Rotary.....	1
15	CC34-24163	Pin – Activator (Safety Switch).....	1
16	CC34-10580	O-Ring	1
17	CC34-14063	Washer.....	1
18	CC34-10581	Spring	1
19	CC34-10275	Lockwasher.....	1
20	CC34-24299	Cable	2
21	CC34-14615	Screw 2.9 x 13	2
22	CC34-15481	Microswitch	1
23	CC34-24162	Bracket – Safety Switch.....	1
24	CC34-14851	Screw M4 x 10	2
25	CC34-14634	Screw 4.2 x 19	4
	CC34-24335	Microswitch Assy. (Incls. Items 20 thru 24).....	1
	CC34-24270	Kit – Control Board (Incls. Items 1 thru 4, 11, 12, 14, & 20 thru 24)	1

* On machines built prior to serial number 1170119, order kit CC34-24270.

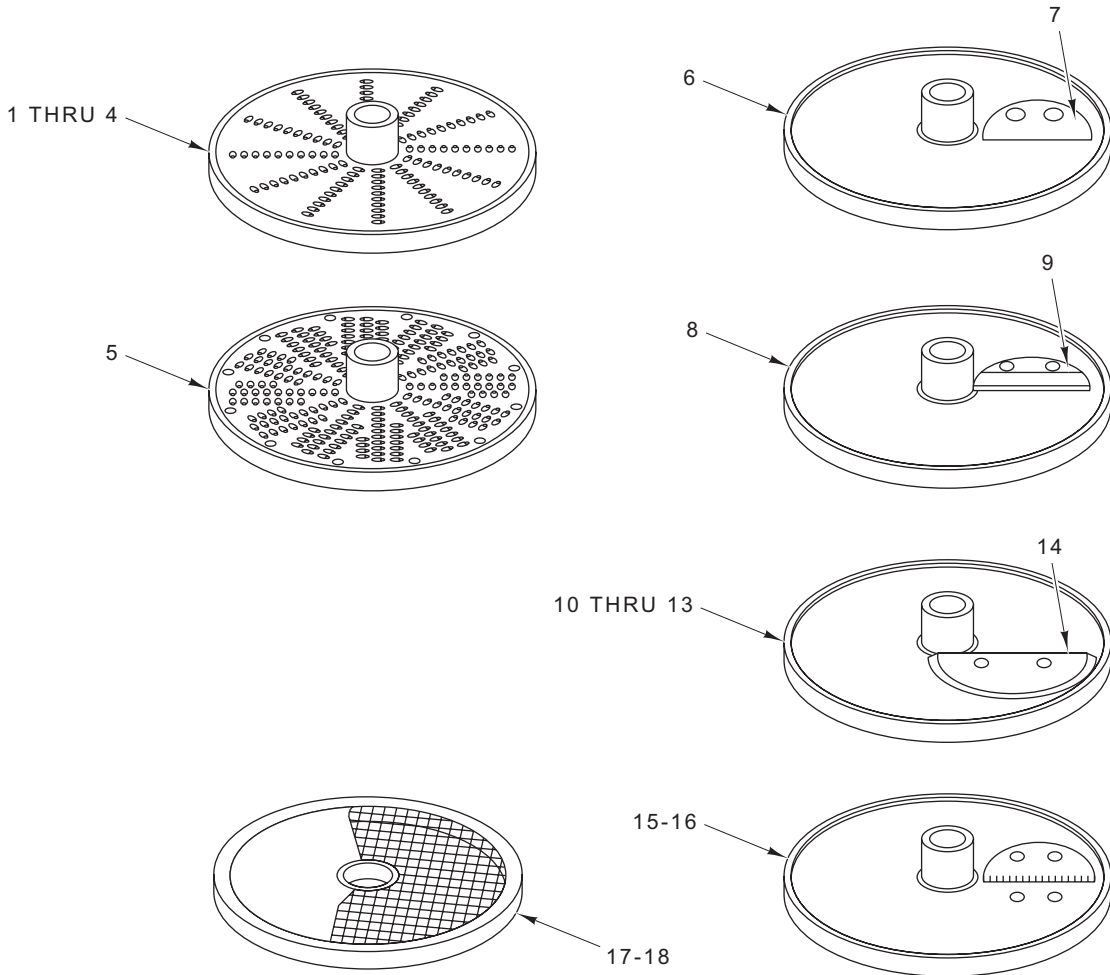


PL-58588

MOTOR AND SHAFT ASSEMBLY

MOTOR AND SHAFT ASSEMBLY

ILLUS.	PART NO.	NAME OF PART	AMT.
PL-58588			
1	CC34-24179	Motor (120 V., 60 Hz., 1 Ph.) (Incls. Item 2).....	1
2	CC34-24277	Sensor – Speed	1
3	CC34-14344	Screw M5 x 20	4
4	CC34-24588	Bracket – Motor	1
5	CC34-24291	Tensioner – Belt	1
6	CC34-10258	Lock Ring	1
7	CC34-24158	Shaft – Knife	1
8	CC34-10262	Ring – Seal	1
9	CC34-24146	Pin	1
10	CC34-14907	Pin	1
11	CC34-10583	Ring – Seal	1
12	CC34-10255	Ball Bearing	2
13	CC34-24149	Cover – Bearing	1
14	CC34-14344	Screw M5 x 12	3
15	CC34-10624	Belt	1
16	CC34-14852	Screw M5 x 10	1
17	CC34-14079	Washer	1
18	CC34-24154	Pulley – Knife Shaft	1



PL-58592

ACCESSORIES

ACCESSORIES

ILLUS. PL-58592	PART NO.	NAME OF PART	AMT.
1	CC34-84058	Plate – Shredder $\frac{5}{64}$ In.	1
2	CC34-84059	Plate – Shredder $\frac{3}{16}$ In.	1
3	CC34-84060	Plate – Shredder $\frac{1}{4}$ In.	1
4	CC34-84061	Plate – Shredder $\frac{5}{16}$ In.	1
5	CC34-84062	Plate – Shredder (Fine)	1
6	CC34-83304	Plate – Slicing $\frac{3}{8}$ In. (Incls. Item 7)	1
7	CC34-36530	Knife – Slicing Plate	1
8	CC34-84057	Plate – Crimping $\frac{3}{16}$ In. (Incls. Item 9)	1
9	CC34-36880	Knife – Crimping Plate	1
10	CC34-84050	Plate – Slicing $\frac{1}{32}$ In. (Incls. Item 14)	1
11	CC34-84051	Plate – Slicing $\frac{5}{64}$ In. (Incls. Item 14)	1
12	CC34-84052	Plate – Slicing $\frac{5}{32}$ In. (Incls. Item 14)	1
13	CC34-84053	Plate – Slicing $\frac{1}{4}$ In. (Incls. Item 14)	1
14	CC34-37420	Knife – Slicing Plate	1
15	CC34-84054	Plate – Julienne $\frac{5}{64}$ In.	1
16	CC34-84055	Plate – Julienne $\frac{3}{16}$ In.	1
17	CC34-83267	Grid – Dicing $\frac{3}{8}$ In.	1
18	CC34-83269	Grid – Dicing $\frac{5}{8}$ In.	1
	CC34-01076	Rack – Wall	1

