

026425-E
Jar Lid Cover
(changed after 5/13/2010)

026424-V
Jar Lid
(changed after 11/2/2012)

WARING
COMMERCIAL

64 oz. Stainless Steel Container with Lid
for MX Series Blenders

CAC90 - 033034



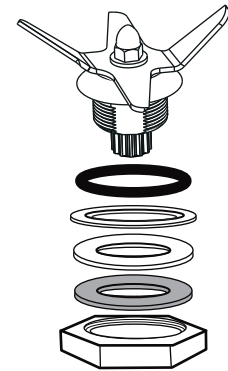
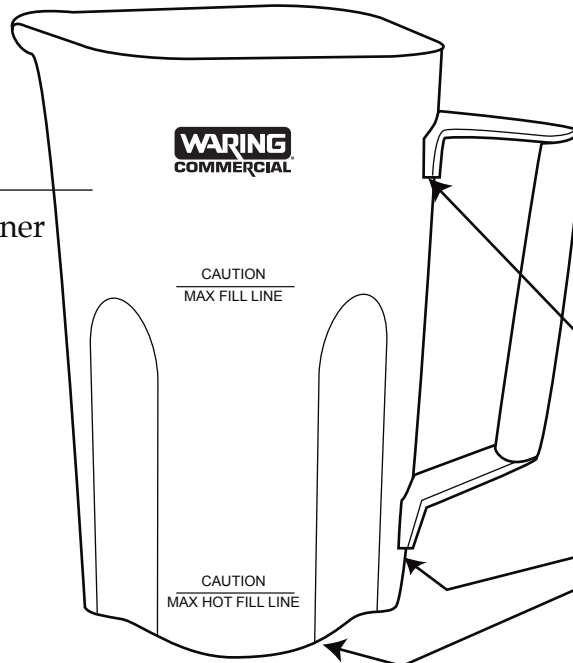
026612
NSF Component

503345 - Blade Assembly

024271 - Bearing Holder O Ring (lubricant applied)

026798 - Support Washer

026648
Stainless Steel Container



032483
Blending Assembly Kit

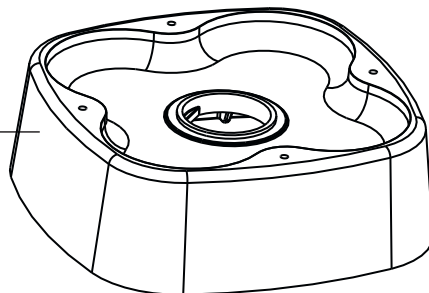
Notes:

Torque 100-125 in/lbs

Sealant applied all around indicated areas.
Dow Corning Sealant RTV 733

Lubricant applied to O Ring
Dow Corning 200 (R) Fluid

026649
Container Support



026797 - Bearing Holder Gasket

026796 - Bearing Holder Washer

026795 - Bearing Holder Nut

503346
Container with Blending Assembly