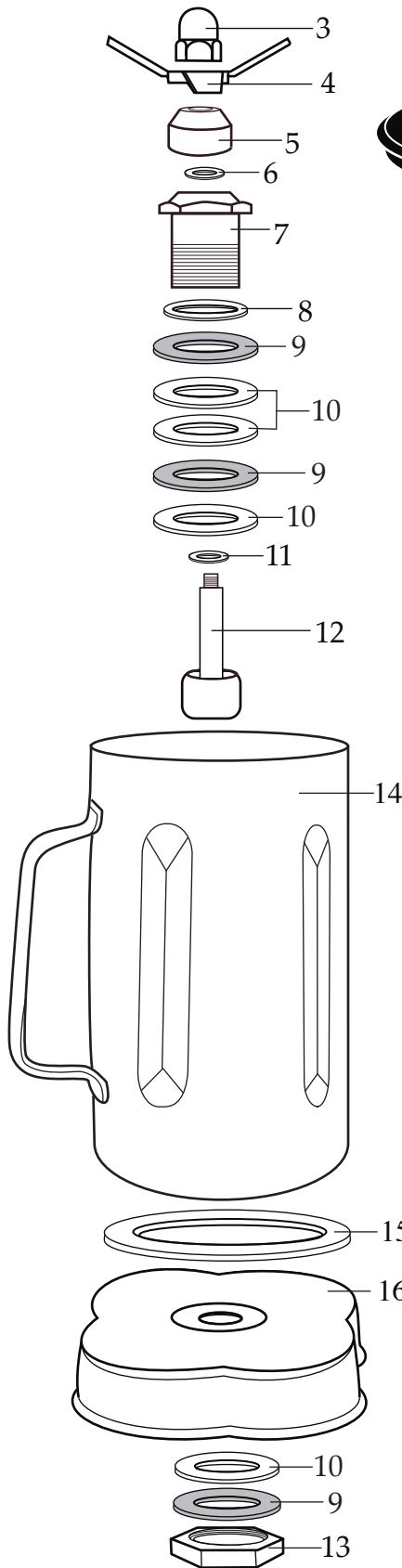
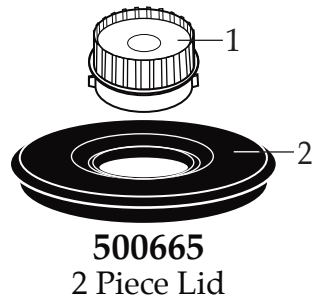




32 oz. Stainless Steel Container Complete with Blending Assembly and Lid

CAC33 - 033012



500778
Blending Assembly

500339
Stainless Steel Container
with Blending Assembly

| Illustration # | Part # | Description |
|----------------|--------|---|
| 1 | 011700 | Center Lid |
| 2 | 013443 | Outer Lid |
| 3 | 003504 | Cap Nut |
| 4 | 024224 | Blade <i>(changed after 11/10/2003)</i> |
| 5 | 003503 | Bearing Cap |
| 6 | 003508 | Fairprene Washer |
| 7 | 010012 | Bearing Holder |
| 8 | 009724 | Nylon Washer |
| 9 | 003537 | Stainless Steel Washer (3 required) |
| 10 | 003509 | Neoprene Washer (rubber 4 required) |
| 11 | 003510 | Bakelite Washer |
| 12 | 003500 | Drive Shaft |
| 13 | 009780 | Hex Nut |
| 14 | 012860 | 32 oz. Stainless Steel Container |
| 15 | 009762 | Gasket |
| 16 | 015055 | Container Adapter |