

# Parts Catalog



**C12 Slicer**

## SLICING MACHINE

MODEL: C12

06-20-14N

Serial Number 303664 and Up

IMPORTANT!

TO EXPEDITE SHIPMENT OF PARTS, ALWAYS SPECIFY MODEL, REV,  
PART NUMBER, AND SERIAL NUMBER OF SLICER.

### GLOBE FOOD EQUIPMENT COMPANY

2215 East River Road

Dayton, Ohio 45439

#### Parts Department

Toll Free 1-800-745-6238 • Fax (937) 290-0585

E-Mail: [info@globefoodequip.com](mailto:info@globefoodequip.com)

Website: [www.globefoodequip.com](http://www.globefoodequip.com)

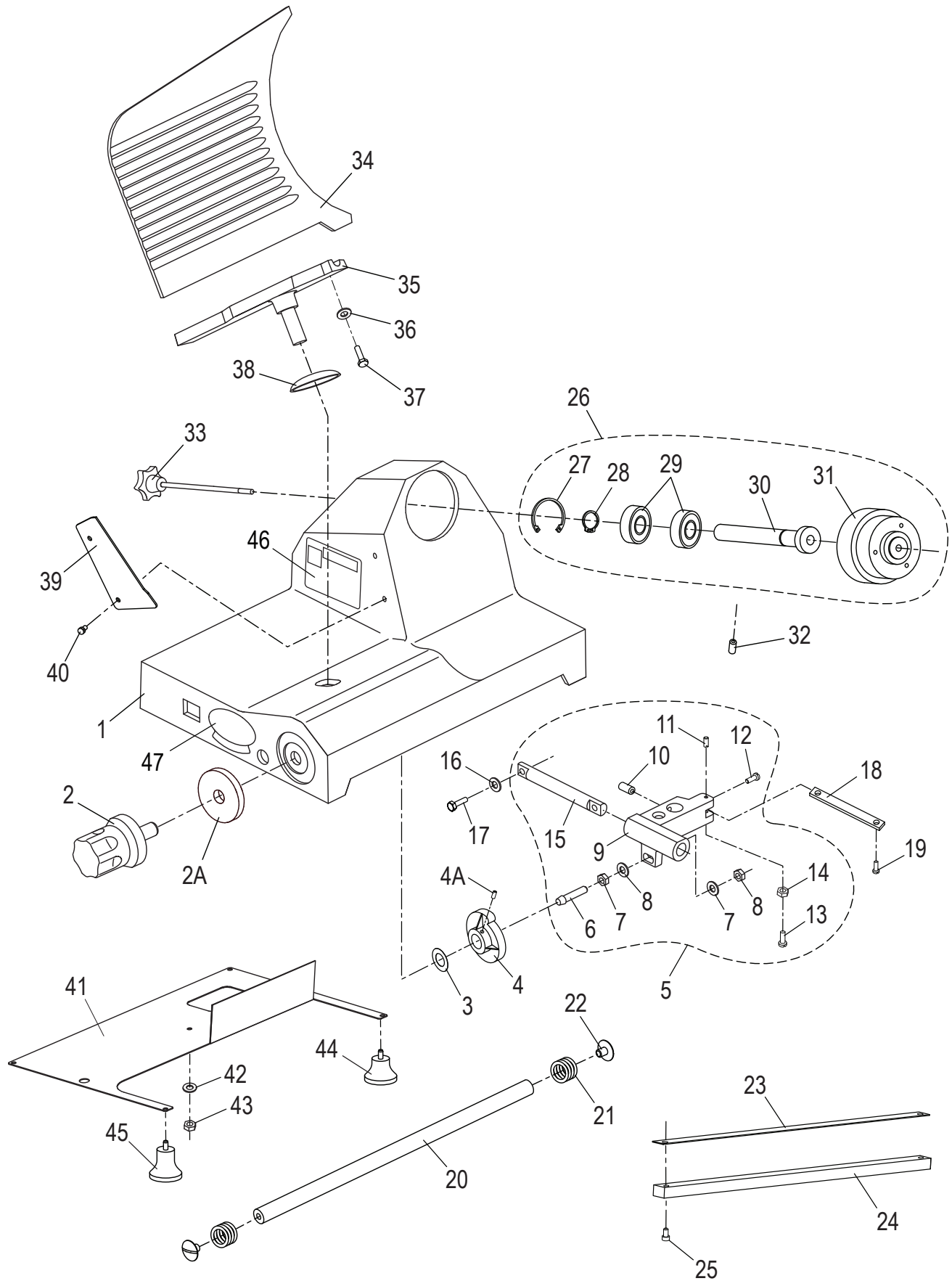
Not for resale



# TABLE OF CONTENTS

Serial Number 303664 and Up	Page
Base Components	1 - 2
Chute Components	3
Knife & Sharpener Components	4
Electrical Components	5
Wiring Diagram	6

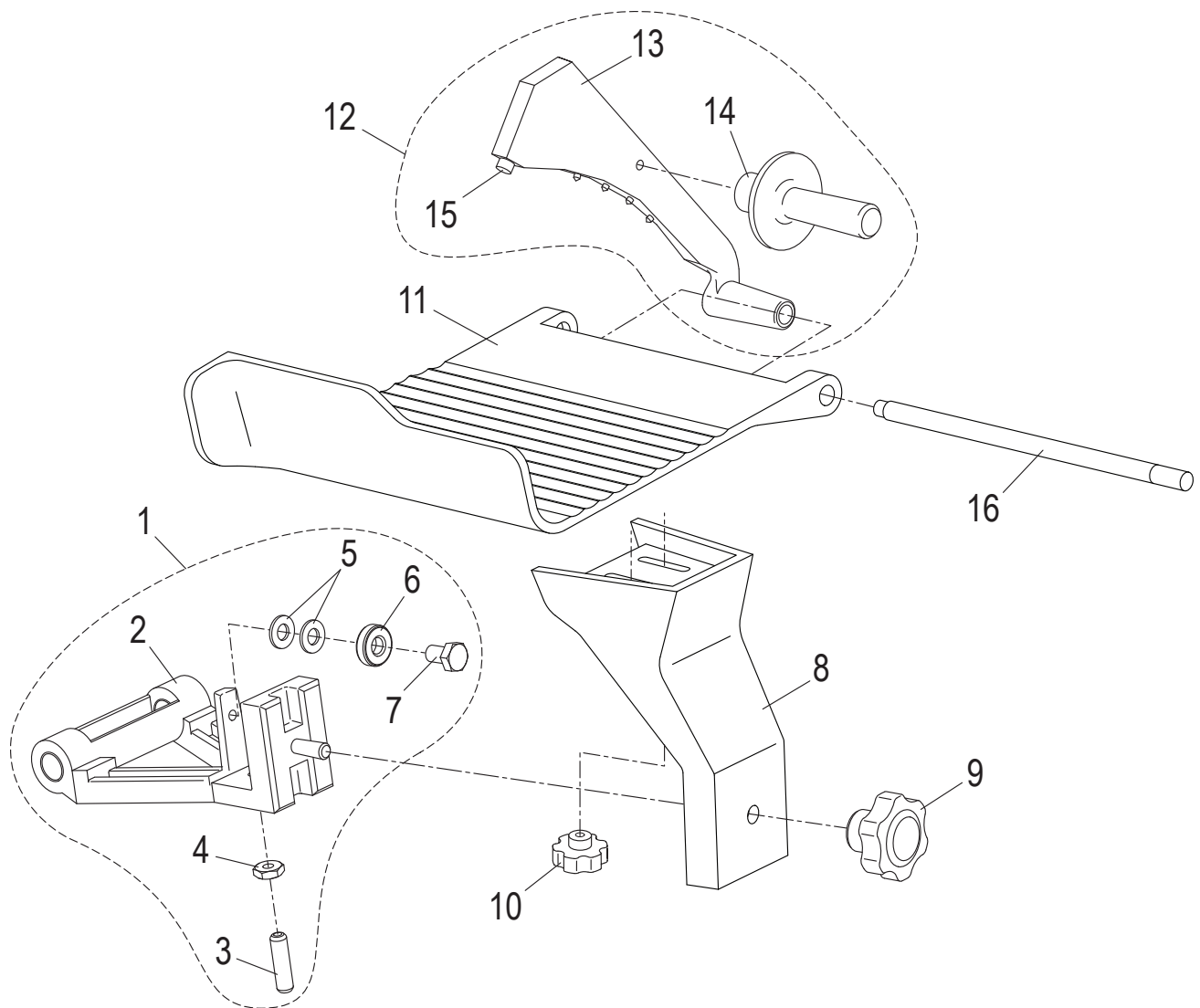
# C12 BASE COMPONENTS



# C12 BASE PARTS LIST

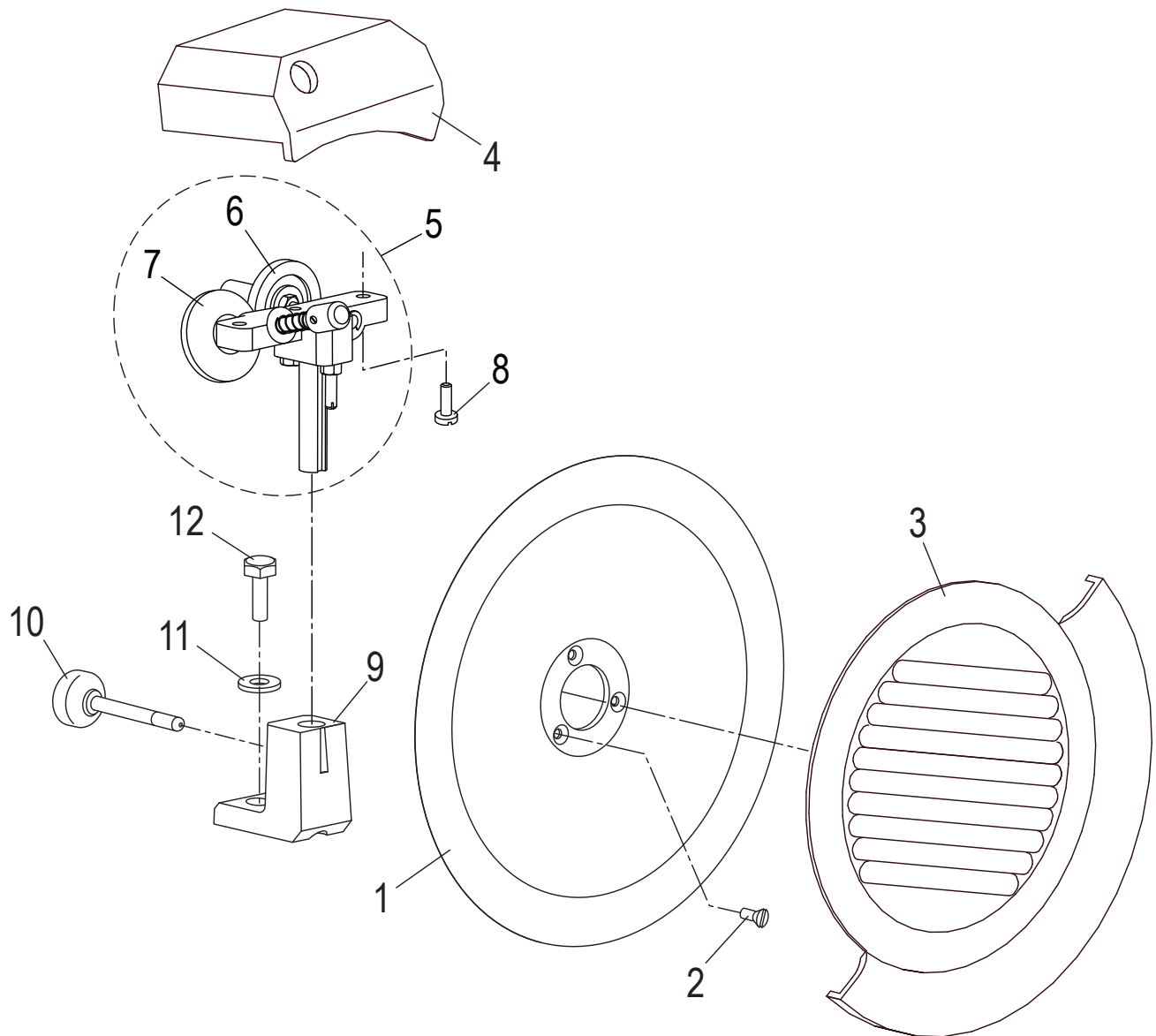
Item	Description	Qty	Part Numbers	Standard Hardware
1	Slicer Base	1	-	
2	Table Adjustment Knob	1	M00209	
2A	Table Adjustment Ferrule	1	M00211	
3	Wavy Washer	1	M003	
4	Table Adjustment Cam	1	M004	
4A	Set Screw	2	H00181	
5	Table Slide Assembly (Item 6 - 15)	1	MC009	
6	Cam Actuator Stud	1	M013	
7	Actuator Washer	2	H00191	
8	Actuator Nut	2	H00192	
9	Table Slide	1	-	
10	Table Slide Set Screw, Side	2	H00186	
11	Table Slide Set Screw, Top	1	H00182	
12	Table Slide Screw, End	1	H00189	
13	Table Slide Set Screw, Bottom	1	H00188	
14	Table Slide Nut, Bottom	1	H00028	
15	Table Slide Rod	1	MCB36	
16	Slide Rod Washer	2	H00191	
17	Slide Rod Mounting Screw	2	H00116	
18	Table Slide Plate	1	M016	
19	Slide Plate Mounting Screw	2	H00061	
20	Carriage Slide Rod	1	M059	
21	Carriage Spring	2	M061	
22	Carriage Slide Rod Screw	2	M060	
23	Wear Strip	1	M063	
24	Square Slide Bar	1	M062	
25	Slide Bar Mounting Screw	2	H00056	
26	Knife Hub Assembly (Item 27 - 31)	1	M00214	
27	Retaining Ring, Internal	1	H00193	
28	Retaining Ring, External	1	H00195	
29	Bearing	2	M020	
30	Knife Pulley Shaft	1	MCC12/1USA	
31	Knife Pulley	1	MCC12/2	
32	Knife Shaft Set Screw	1	H00184	
33	Knife Cover Release Knob	1	M00222	
34	Table	1	M00226	
35	Table Support	1	M00227	
36	Table Support Washer	2	H00191	
37	Table Support Mounting Screw	2	H00196	
38	Base Hole Cover	1	M00228	
39	Deflector	1	M097	
40	Deflector Thumb Screw	2	MCC23	
41	Bottom Cover	1	M113	
42	Cover Washer	1	H00063	
43	Cover Nut	1	H00028	
44	Back Foot	2	M115	
45	Front Foot	2	M00229	
46	Label, Warning	1	M91022	
47	Label, Chefmate	1	M91020	

# C12 CHUTE COMPONENTS



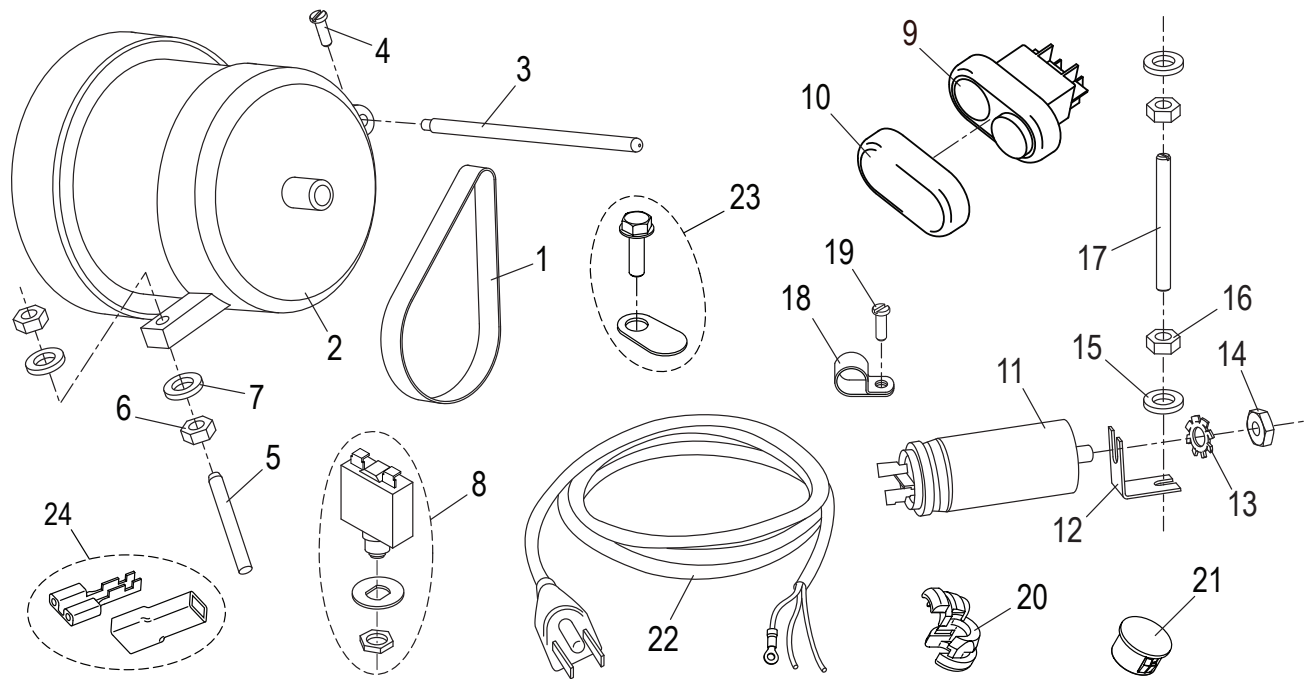
Item	Description	Qty	Part Number	Standard Hardware
1	Chute Slide Assembly (Item 2 - 7)	1	MC006	
2	Chute Slide	1	-	
3	Brass Stud	1	M053	
4	Stud Nut	1	H00192	
5	Flat Washer	2	H00191	
6	Bearing	1	MCA29	
7	Bearing Mounting Screw	1	H00116	
8	Chute Support	1	M00362	
9	Chute Support Knob	1	M00268	
10	Chute Release Knob	1	M00254	
11	Chute	1	M00368	
12	Endweight Assembly (Item 13 - 15)	1	M00260	
13	End Weight	1	-	
14	End Weight Handle	1	M00261	
15	End Weight Bumper	1	M108	
16	End Weight Rod	1	M00270	

# C12 KNIFE AND SHARPENER COMPONENTS



Item	Description	Qty	Part Number	Standard Hardware
1	Knife	1	M047	
2	Knife Mounting Screw	3	H00200	
3	Knife Cover	1	M349	
4	Sharpener Cover	1	MCB11	
5	Sharpener Assembly	1	M00396	
6	Deburring Stone	1	M092	
7	Sharpening Stone	1	M091	
8	Sharpener Cover Mounting Screw	2	H00187	
9	Sharpener Support	1	MCB10	
10	Knife Cover Release Knob	1	M096	
11	Sharpener Support Washer	1	H00191	
12	Sharpener Support Mounting Bolt	1	H00117	

# C12 ELECTRICAL COMPONENTS



Item	Description	Qty	Part Number	Standard Hardware
1	Drive Belt	1	MCC51	
2	Knife Motor	1	MC43/1	
3	Post, Motor Pivot	1	M031	
4	Screw	1	H00189	
5	Motor Stud	1	M033	
6	Motor Nut	2	M034	
7	Motor Washer	2	M035	
8	Motor Reset Switch	1	M038	
9	Power Switch	1	MCR68	
10	Power Switch Cover	1	MCR59	
11	Capacitor, 16 $\mu$ f	1	M039	
12	Capacitor Mounting Bracket	1	-	
13	Capacitor Lock Washer	1	H00335	
14	Capacitor Mounting Nut	1	H00192	
15	Cover Spacer Washer	2	H00063	
16	Cover Spacer Nut	2	H00028	
17	Cover Spacer Stud	1	M00369	
18	Cable Clamp	1	M037	
19	Cable Clamp Screw	1	H00061	
20	Strain Relief	1	M111	
21	Hole Plug	1	MCC80	
22	Power Cord & Plug	1	MB65/4F	
23	Ground Screw/Marking Tab Set	1	M00334	
24	Female Terminal/Insulator Set	8	M00233	



# C12 WIRING DIAGRAM 115V, 50/60Hz, 1PH

