

PARTS LIST - SELF-GENERATING STEAM JACKETED TILTING KETTLE, MODEL: KTT-20E

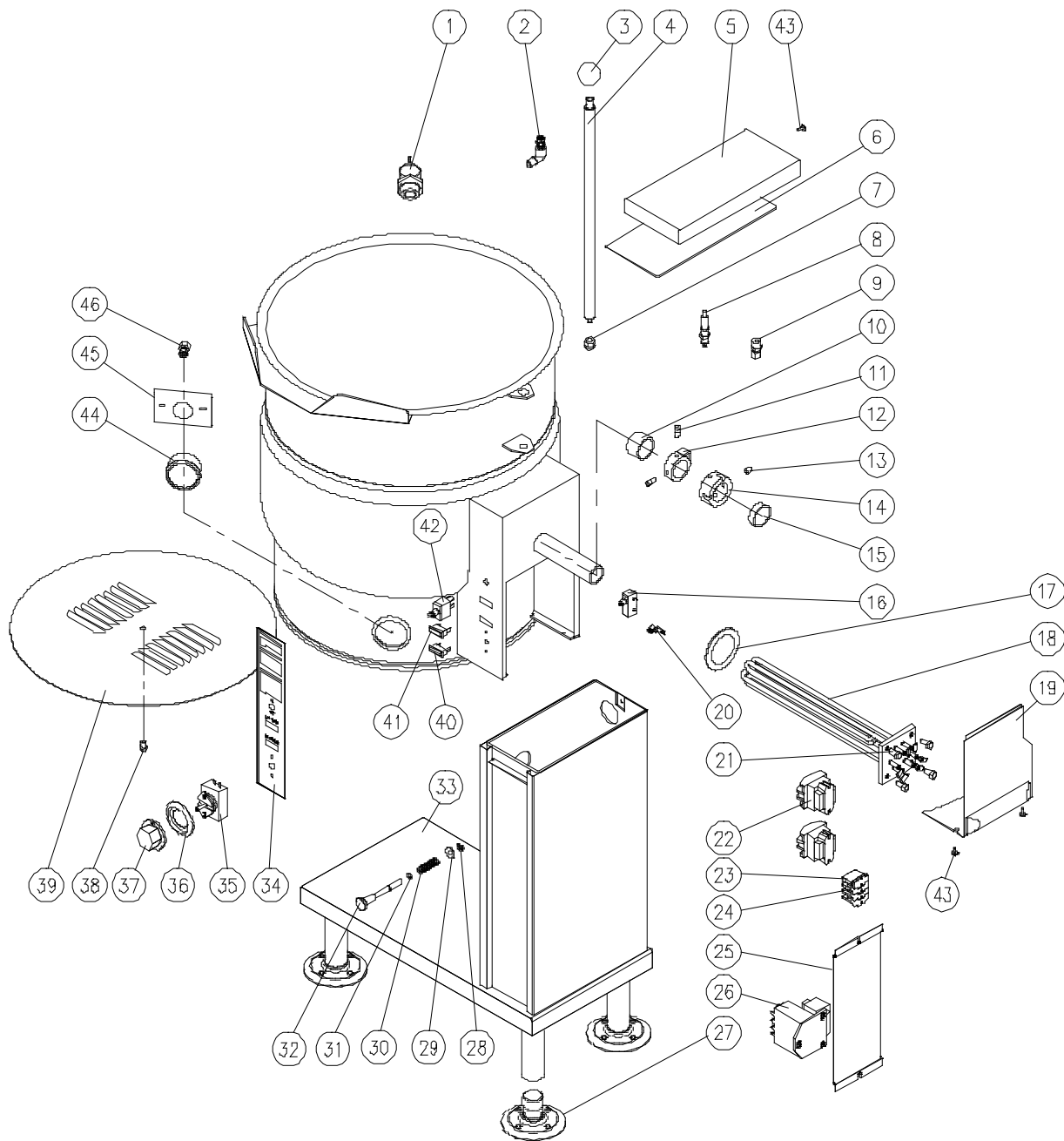


PARTS LIST
SELF-GENERATING STEAM JACKETED TILTING KETTLE
MODEL: KTT-20E



June 12, 2015
BLODGETT OVEN CO ▪ 44 Lakeside Ave ▪
Burlington, VT 05446
Tel. 802-658-6600 ▪ Fax 802-860-3732 ▪
www.blodgett.com

PARTS LIST - SELF-GENERATING STEAM JACKETED TILTING KETTLE, MODEL: KTT-20E



5186R1

PARTS LIST - SELF-GENERATING STEAM JACKETED TILTING KETTLE, MODEL: KTT-20E

	<u>ITEM</u>	<u>Part #</u>	<u>DESCRIPTION</u>	<u>QUANTITY</u>
	1	40613	Relief Valve 50 PSI	1
*		41044	Down Tube	1
	2	40548	Air Vent Assembly	1
	3	40259	Phenolic Knob	1
	4	42795	Handle	1
	5	40352	Console Cover	1
	6	40473	Console Cover Gasket	1
	7	42948	Acorn Nut ½ - 13 NC	1
	8	40930	Probe	1
	9	40205	Thermostat Probe Fitting	1
	10	41754	Inner Bearing	1
	11	41803	Set Screw 3/8 - 16 x ½"	2
	12	40372	Actuating Collar	1
	13	41837	Hex Socket Set Screw 3/8 - 16 x ½"	1
*		43298	Spring Pin 1/4 x 2-1/4" LG	1
	14	41307	Cam Collar	1
	15	41753	Outer Bearing	1
	16	40938	Interlock Switch	1

PARTS LIST - SELF-GENERATING STEAM JACKETED TILTING KETTLE, MODEL: KTT-20E

	<u>ITEM</u>	<u>Part #</u>	<u>DESCRIPTION</u>	<u>QUANTITY</u>
	17	41619	Element Gasket	1
**	18	41367	Element Assembly, 208V, 12 kW	1
		41368	Element Assembly, 220/380V, 12 kW	1
		41369	Element Assembly, 240/415V, 12 kW	1
		41370	Element Assembly, 480V, 12 kW	1
		42221	Element Assembly, 600V, 12 kW	1
	19	42886	Trunion Box Cover	1
	20	40840	Ground Lug	1
	21	43294	Hex Bolt 5/16-18 x 3/4"	4
**	22	40943	Contactor (208, 240V)	2
		40943	Contactor (380, 416, 480, 600V)	1
	23	40707	Terminal Block End Section	1
	24	40708	Terminal Block	3
	25	42176	Component Mounting Plate	1
	26	43561	Liquid Level Control	1
	27	41474	Flanged Adjustable Feet	4
	28	40134	External Ring	1
	29	43297	Washer	2
	30	40808	Spring	1
	31	40138	"O" Ring	1
	32	40803	Locking Pin	1
	33	43322	Base Assembly	1
	34	42113	Control Decal	1
	35	41887	Thermostat	1

PARTS LIST - SELF-GENERATING STEAM JACKETED TILTING KETTLE, MODEL: KTT-20E

	<u>ITEM</u>	<u>Part #</u>	<u>DESCRIPTION</u>	<u>QUANTITY</u>
	36	40994	Bezel	1
	37	41006	Dial (with numbers on it)	1
	37	42456	Dial (without numbers on it)	1
	38	40095	Bolt	1
	39	41565	Bottom Cover	1
	40	40954	Pilot Light – Red 240V	1
	41	40953	Pilot Light – Amber 240V	1
		43391	Pilot Light – Red 28V	1
	42	41883	Power Switch	1
	43	40076	Screw 10-32 x 1/2	3
	44	40907	Pressure Gauge	1
	45	41609	Pressure Gauge Mounting Bracket	1
	46	40415	Connector 1/4" C x 1/4" FP	1
*	47	41622	Copper Tube Pressure Gauge	1
*	48	40425	Pressure Gauge Kettle Fitting	1
*	49	43323	Bearing Retainer	2
**	50	40974	Transformer 380V	1
		40974	Transformer 416V	1
		40980	Transformer 480V	1
		40985	Transformer 600V	1
*	52	40682	Wire Harness	1
		41861	Fuse – 250V, 3A, 208-240V units	2
		41861	Fuse 250V, 3A, 220/380 and 240/415V units	1
		41765	Fuse 600V, 1/2A, 380-600V units	2
		41844	Fuse holder, 208-240V units	2
		41844	Fuse holder 220/380V and 240/415V	1
		41769	Fuse holder 600V, 380-600V units	2

PARTS LIST - SELF-GENERATING STEAM JACKETED TILTING KETTLE, MODEL: KTT-20E