



PARTS LIST

DIRECT STEAM KETTLES

MODELS: KLS 20, 30, 40, 60, 80, 100

KPS 20, 30, 40, 60, 80, 100

KLT 20, 30, 40, 60, 80, 100

KPT 20, 30, 40, 60, 80

April 6, 2007

BLODGETT OVEN CO ▪ 44 lakeside Ave ▪ Burlington, VT 05446

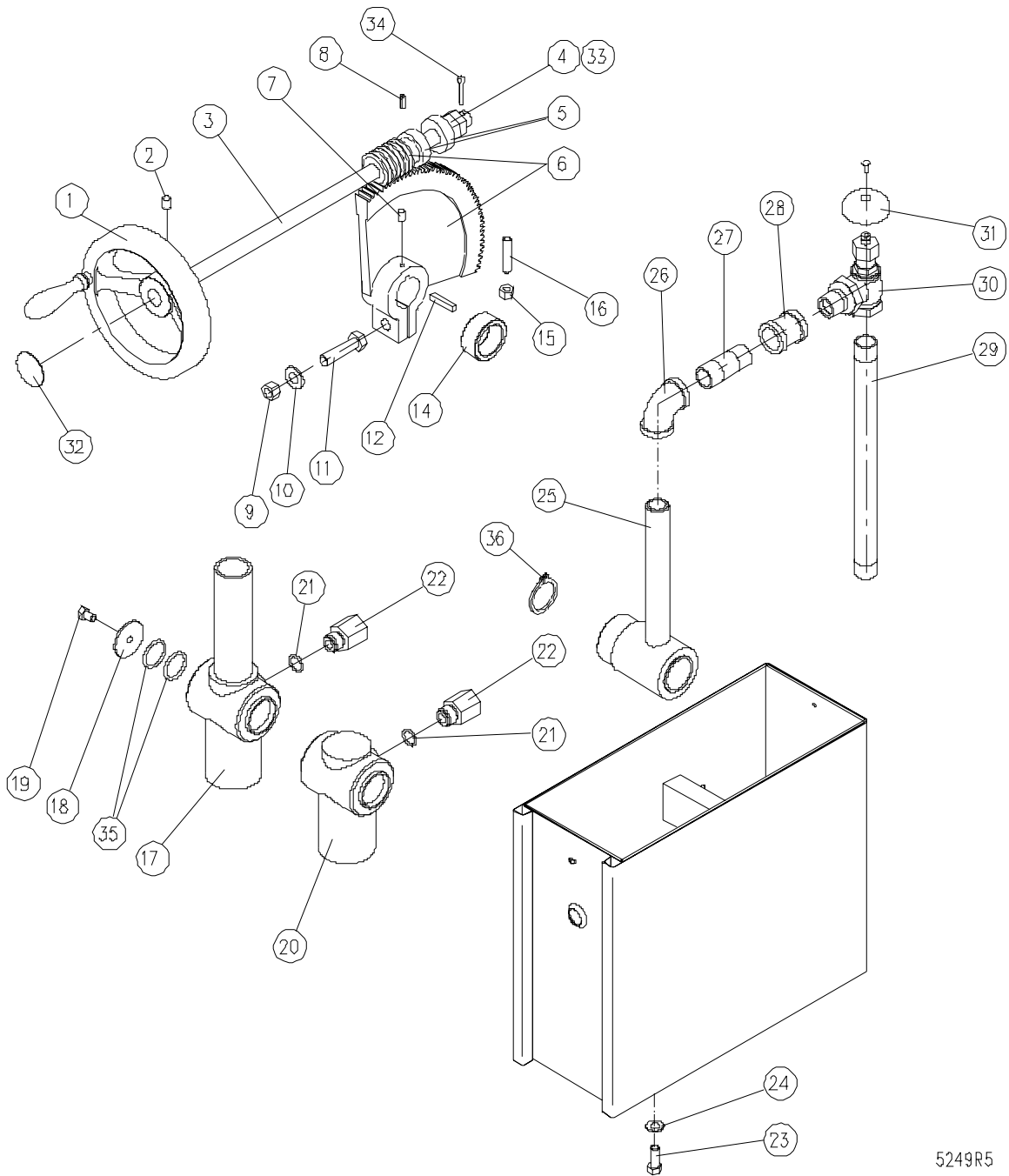
Tel. 800-331-5842 ▪ Fax 802-860-3732 ▪ www.blodgett.com

FIGURE 1

<u>ITEM</u>	<u>Part Number</u>	<u>DESCRIPTION</u>	<u>QUANTITY</u>
1	40550	Ball Valve	1
2	40246	Tilt Console	1
3	40278	Console Cover	1
4	41474	Adjustable Foot	3
5	43394	Screw 10 - 32 x 1/2	1
* 6	40612	Relief Valve 35 PSI	1
**	40613	Relief Valve 50 PSI (Optional)	1
* 7	41044	Down Tube for Relief Valve	1

* NOT SHOWN.

** SELECT AS REQUIRED.

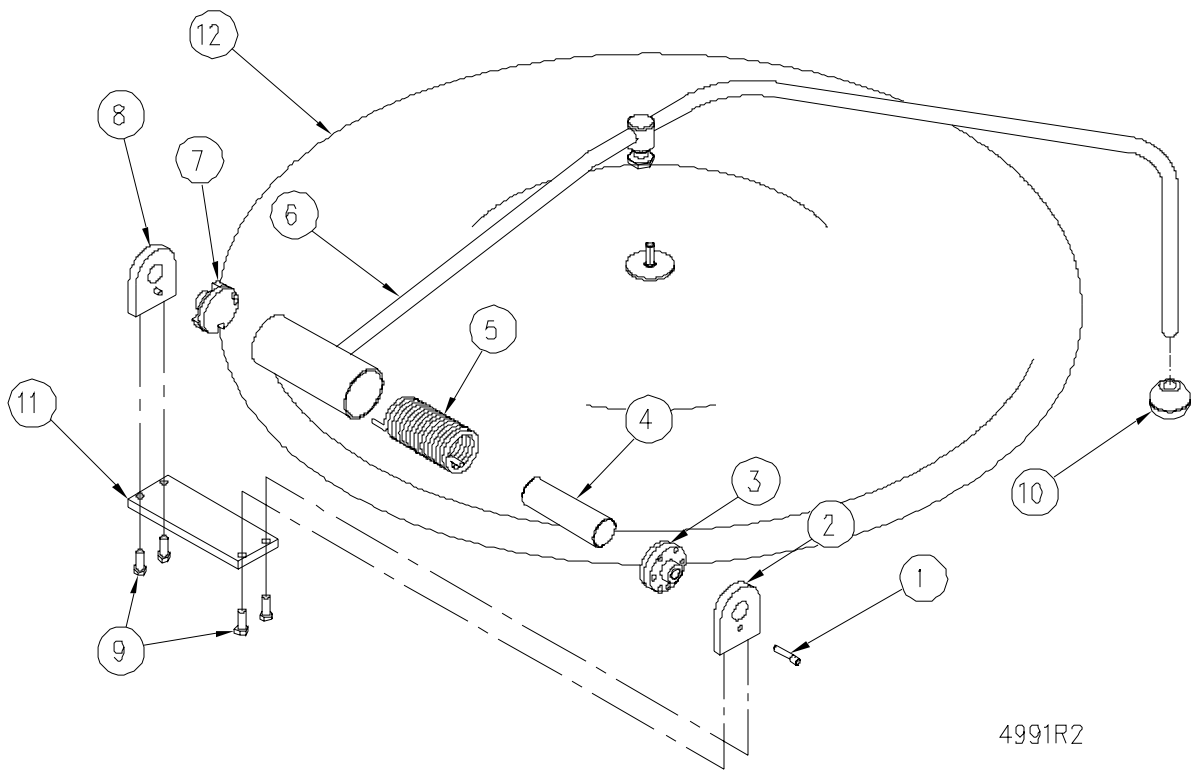


5249R5

FIGURE 2

<u>ITEM</u>	<u>Part Number</u>	<u>DESCRIPTION</u>	<u>QUANTITY</u>
1	41554	Hand wheel	1
2	40101	Set Screw, 3/8 - 16 x 1/2	1
3	41556	Tilt Shaft	1
4	40258	Jam Nut, 3/4 - 16 UNF	2
5	41090	Thrust Bearing	2
6	41095	Segment Gear and Worm Gear Kit (Includes Items 7 to 12)	1
7	40082	Set Screw 1/4 - 20 x 1/2	1
8	40266	Tension Pin 3/16 Dia. x 5/8	1
9	40113	Nut, 1/2 - 13 UNC	1
10	40132	Lock Washer, 1/2"	1
11	40249	Bolt 1/2 - 13 UNC x 2	1
12	41564	Key 1/4"	1
* 13	41857	"O" Ring Lubrication	1
14	41558	Spacer	1
15	40108	Nut 3/8 - 16 UNC	1
16	40206	Set Screw 3/8-16 UNC x 1 - 3/4	1
17	41584	Outbore Bearing Complete With Extension. Used on Spring Assist Cover only. Specify model.	1
18	42124	Stainless Steel Washer	1
19	42125	Bolt	1
20	41583	Outbore Bearing	1
21	40141	"O" Ring	1
22	42123	Brass Fitting	1

<u>ITEM</u>	<u>Part Number</u>	<u>DESCRIPTION</u>	<u>QUANTITY</u>
23	40103	Bolt, 3/8 - 16 UNC x 1	4
24	40100	Lock Washer, 3/8	4
25	41587	Block Bearing	1
26	41789	90° Elbow, 3/4"	1
27	41783	Nipple, 3/4 x 2-1/2	1
28	41821	Coupling, 3/4 x 2-1/2	1
29	41786	Pipe-Steam Supply, 3/4 x 12-1/2	1
30	40609	Control Valve, 3/4"	1
31	40606	Control Valve Knob	1
32	42342	Decal - Tilt	1
33	41091	Washer, 3/4 ID x 1-1/4 OD	1
34	41092	Cotter Pin, S.S., 3/16 x 1	1
35	40150	"O" Ring	4
36	43395	Retaining Ring	1
*37	41099	Label - Service Warning	1

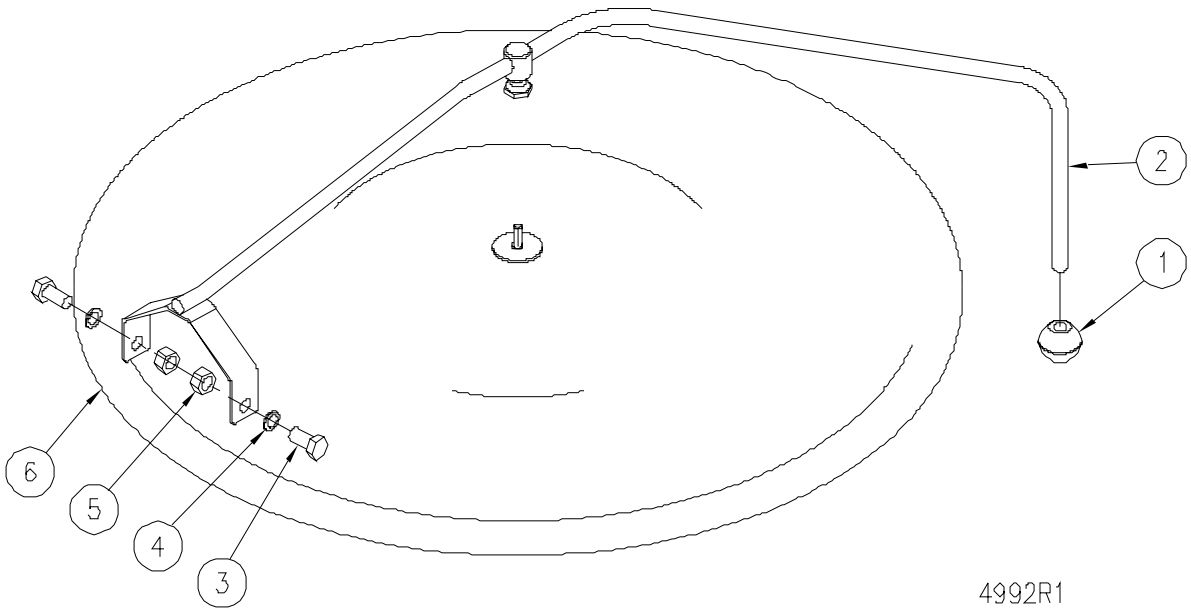


4991R2

FROM FIGURE 3

<u>ITEM</u>	<u>Part number</u>	<u>DESCRIPTION</u>	<u>QUANTITY</u>
	42112	HINGE ASSEMBLY	
1	41543	Lock Pin	1
2	41546	End Lock Plate	1
3	43106	Stationary Disc	1
4	41100	Core	1
5	41526	Spring	1
** 6	41535	Handle Assembly, 20 Gallon Kettle	1
	41536	Handle Assembly, 30 Gallon Kettle	1
	41537	Handle Assembly, 40 Gallon Kettle	1
	41528	Handle Assembly, 60 Gal.	1
	41529	Handle Assembly, 80 Gal.	1
	41530	Handle Assembly, 100 Gal.	1
7	43107	Rotary Disc	1
8	41520	End Stop Plate	1
9	40098	Cap Screws	4
10	40259	Knob	1
11	42714	Mounting Plate - Tilting Kettles Only	1
** 12	41512	Covers, 20 Gallon Kettle	1
	41513	Covers, 30 Gallon Kettle	1
	41514	Covers, 40 Gallon Kettle	1
	41515	Covers, 60 Gallon Kettle	1
	41516	Covers, 80 Gallon Kettle	1
	41517	Covers, 100 Gallon Kettle	1

** SELECT AS REQUIRED.



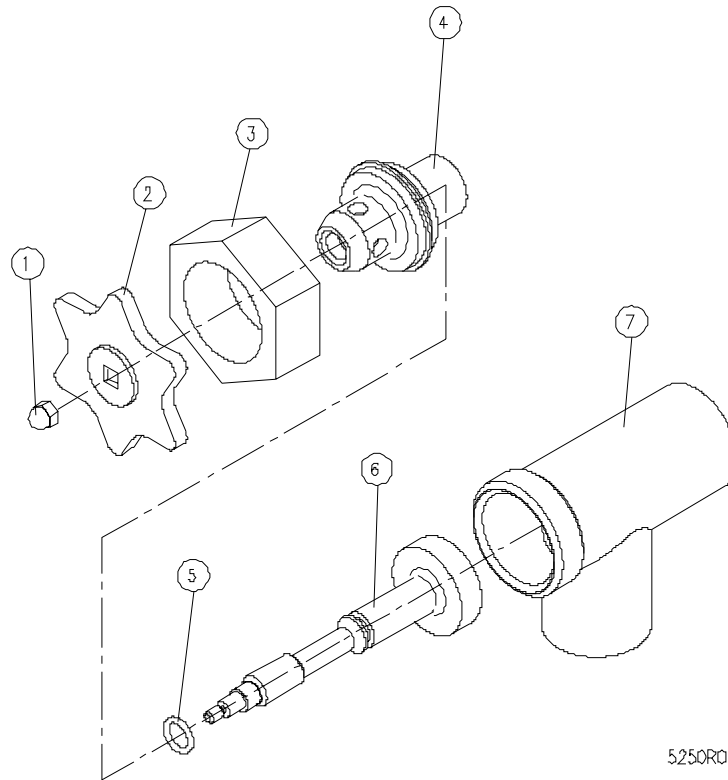
4992R1

<u>ITEM</u>	<u>Part Number</u>	<u>DESCRIPTION</u>	<u>QUANTITY</u>
1	40259	Knob	1
** 2	42158	Handle Assembly, 20 Gallon Kettle	1
	42159	Handle Assembly, 30 Gallon Kettle	1
	42161	Handle Assembly, 40 Gallon Kettle	1
3	40109	Bolt	2
4	43389	Fiber Washer	4
5	40111	Nut	2
** 6	41512	Cover, 20 Gallon Kettle	1
	41513	Cover, 30 Gallon Kettle	1
	41514	Cover, 40 Gallon Kettle	1

** SELECT AS REQUIRED.

DRAW-OFF VALVE

FIGURE 6



5250R0

<u>ITEM</u>	<u>Part Number</u>	<u>DESCRIPTION</u>	<u>QUANTITY</u>
	40553	1-1/2" DRAW OFF VALVE ASSEMBLY	
1	41809	Acorn Nut 10-24 UNC	1
2	40662	Handle, Stainless Steel	1
3	40559	Gland Nut	1
4	40560	Bonnet	1
5	40562	"O" Ring	1
6	40561	Stem Assembly	1
7	43246	Valve Body	1

<u>ITEM</u>	<u>Part Number</u>	<u>DESCRIPTION</u>	<u>QUANTITY</u>
	40554	2" DRAW OFF VALVE ASSEMBLY	
1	41809	Acorn Nut 10-24 UNC	1
2	40662	Handle, Stainless Steel	1
3	40563	Gland Nut	1
4	40564	Bonnet	1
5	40566	"O" Ring	1
6	40565	Stem Assembly	1
7	42481	Valve Body	1

<u>ITEM</u>	<u>Part Number</u>	<u>DESCRIPTION</u>	<u>QUANTITY</u>
	40556	3" DRAW OFF VALVE ASSEMBLY	
1	40567	Acorn Nut, 7/16-14 UNC	1
2	40568	Handle, Stainless Steel	1
3	40569	Gland Nut	1
4	40570	Bonnet	1
5	40572	"O" Ring	1
6	40571	Stem Assembly	1
7	43248	Valve Body	1