



**HV-100E
HYDROVECTION OVEN
REPLACEMENT PARTS LIST**

EFFECTIVE APRIL 15, 2016

Superseding All Previous Parts Lists.

The Company reserves the right to make substitution in the event that items specified are not available.

ERRORS: Descriptive and/or typographic errors are subject to correction.

BLODGETT OVEN COMPANY

44 Lakeside Avenue, Burlington, Vermont 05401 USA Telephone: (802) 658-6600 Fax: (802) 860-3732
www.blodgett.com

P/N 53055 Rev L

SERIAL NUMBER LOCATION / KEY:

IMPORTANT: When ordering parts, please provide the model, gas type and serial number of the oven. The identification plate is located on the back of the oven.

SERIAL NUMBER IDENTIFICATION CODE:

KC = HV-100E HYDROVECTION OVEN

SERIAL NUMBER EXAMPLES

071909KC001

07/19/09 = DATE

KC = LETTER CODE FOR HV-100E

001 = FACTORY SEQUENCE

TO OBTAIN LITERATURE:

Email: literature@blodgett.com

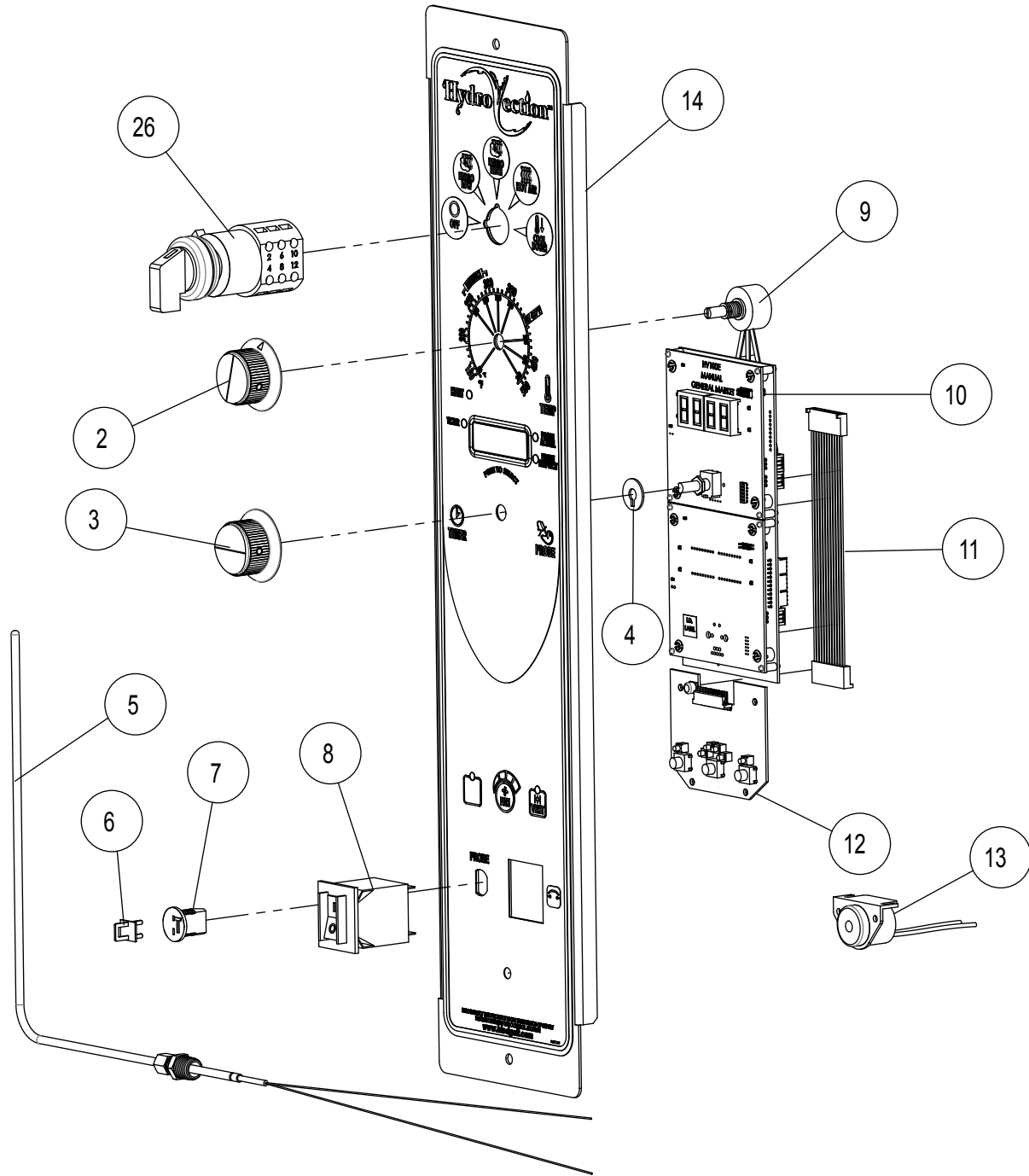
or visit

www.blodgett.com

TABLE OF CONTENTS

MANUAL CONTROLS	4
MENUSELECT CONTROLS	5
TOUCHSCREEN CONTROLS	6
DOORS	7
INTERIOR COMPONENTS	9
MOTOR	11
ELECTRICAL PANEL	12
EXTERIOR COMPONENTS	13
ACCESSORIES.....	14

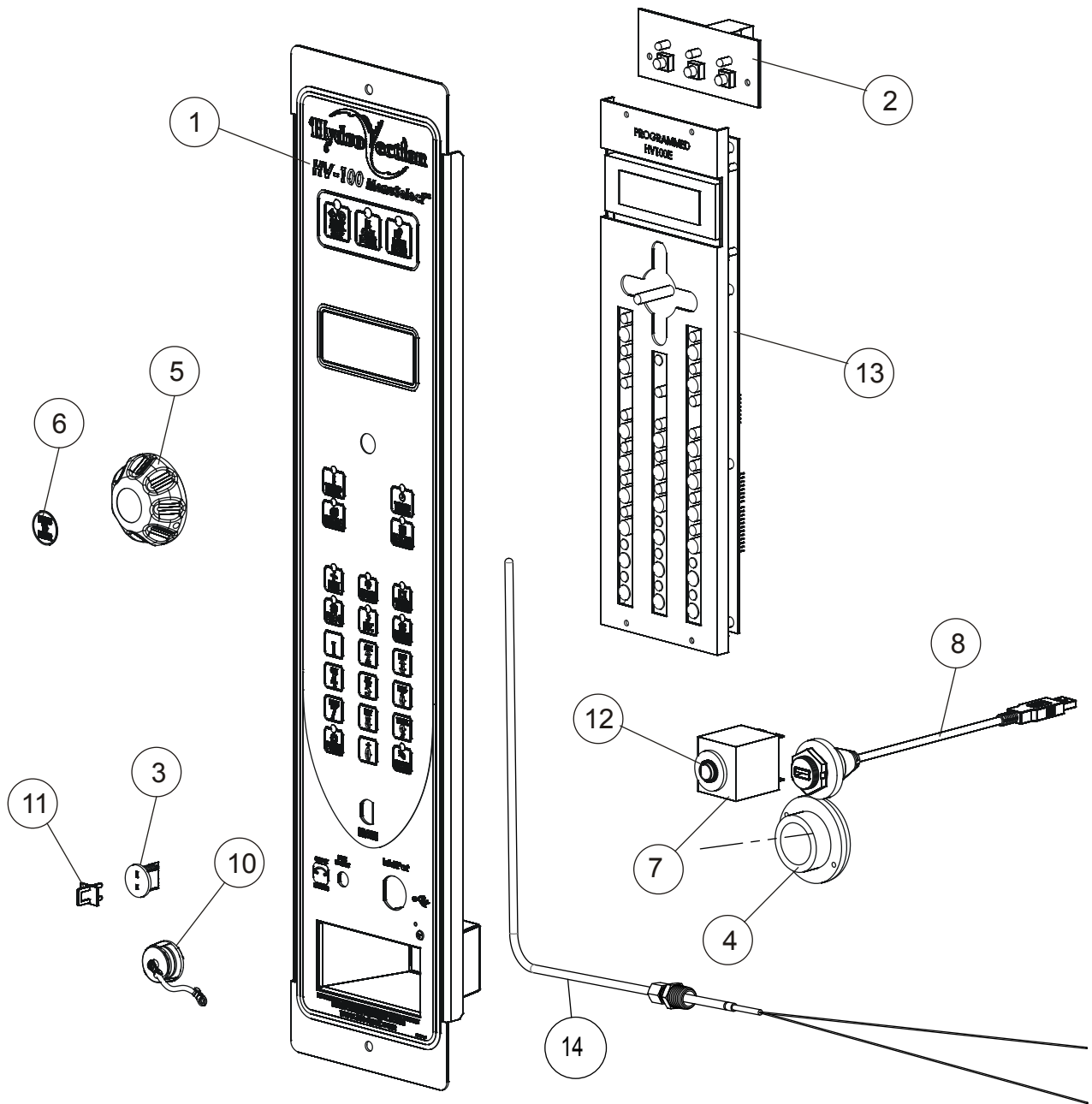
MANUAL CONTROLS



Ref. No.	Part No.	Description
1	52466	ROTARY SWITCH, 5 POSITION
2	36616	KNOB W/ARROW
3	36617	KNOB W/O ARROW
4	54340	SPACER, ENCODER SUPPORT
5	53007	CAVITY PROBE
6	39782	MEAT PROBE JACK PLUG
7	39781	MEAT PROBE JACK
8	39688	CIRCUIT BREAKER, 20A
9	18234	POTENTIOMETER

Ref. No.	Part No.	Description
10	53400	PROGRAMMED CONTROL, HV100E MANUAL
11	53344	HARNESS, CONTROL CONNECTOR
12	53157	BOARD, 3 BUTTON HYDRO MANUAL
13	53759	REMOTE BUZZER
14	58538	PANEL & DECAL W/O HOSE REEL (OVENS AFTER 10-6-11)
	58543	PANEL & DECAL W/O HOSE REEL (OVENS BEFORE 10-6-11)

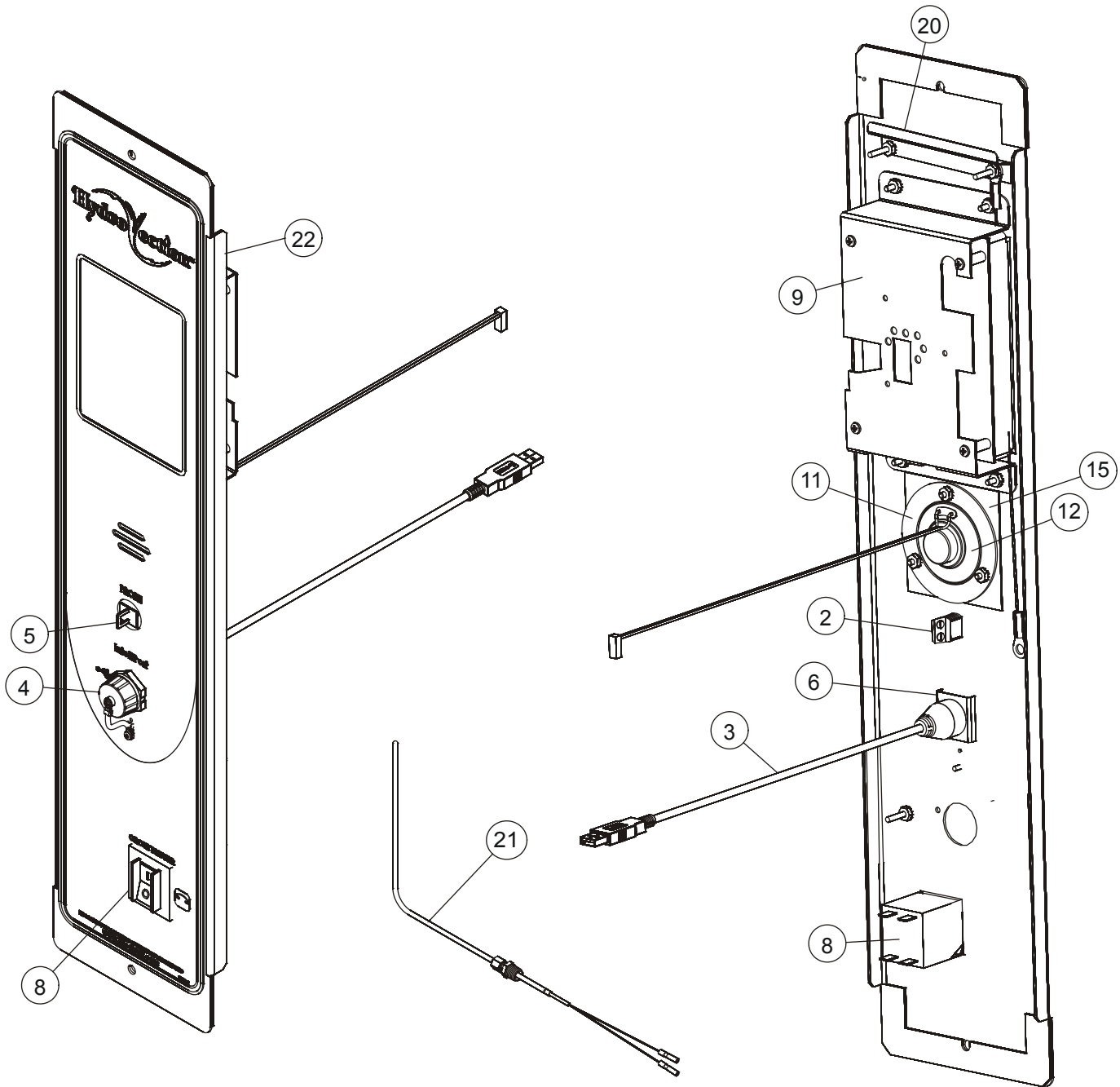
MENSELECT™ CONTROLS



Ref. No.	Part No.	Description
1	53003	PANEL & DECAL FOR MODELS W/HOSE REEL AS SHOWN (OVENS BEFORE 10-6-11)
	58539	PANEL & DECAL FOR MODELS W/O HOSE REEL (OVENS AFTER 10-6-11)
2	39122	BOARD, 3 BUTTON PCB
3	39781	MEAT PROBE JACK
4	52402	HOSE REEL GROMMET
5	51372	KNOB, XCEL
6	50986	DECAL, PRESS TO ENTER
7	52185	CIRCUIT BREAKER, PUSH BUTTON STYLE
	39688	CIRCUIT BREAKER, ROCKER STYLE

Ref. No.	Part No.	Description
8	52647	USB CABLE
10	52161	COVER, USB
11	39782	MEAT PROBE JACK PLUG
12	52233	SPACER, CURCUIT BREAKER
13	53384	PROGRAMMED CONTROL, HV100E KNOB
	36376	SWITCH, HEAT CUT-OFF
	53759	REMOTE BUZZER
	54073	CUMMUNICATION CABLE
14	53007	CAVITY PROBE

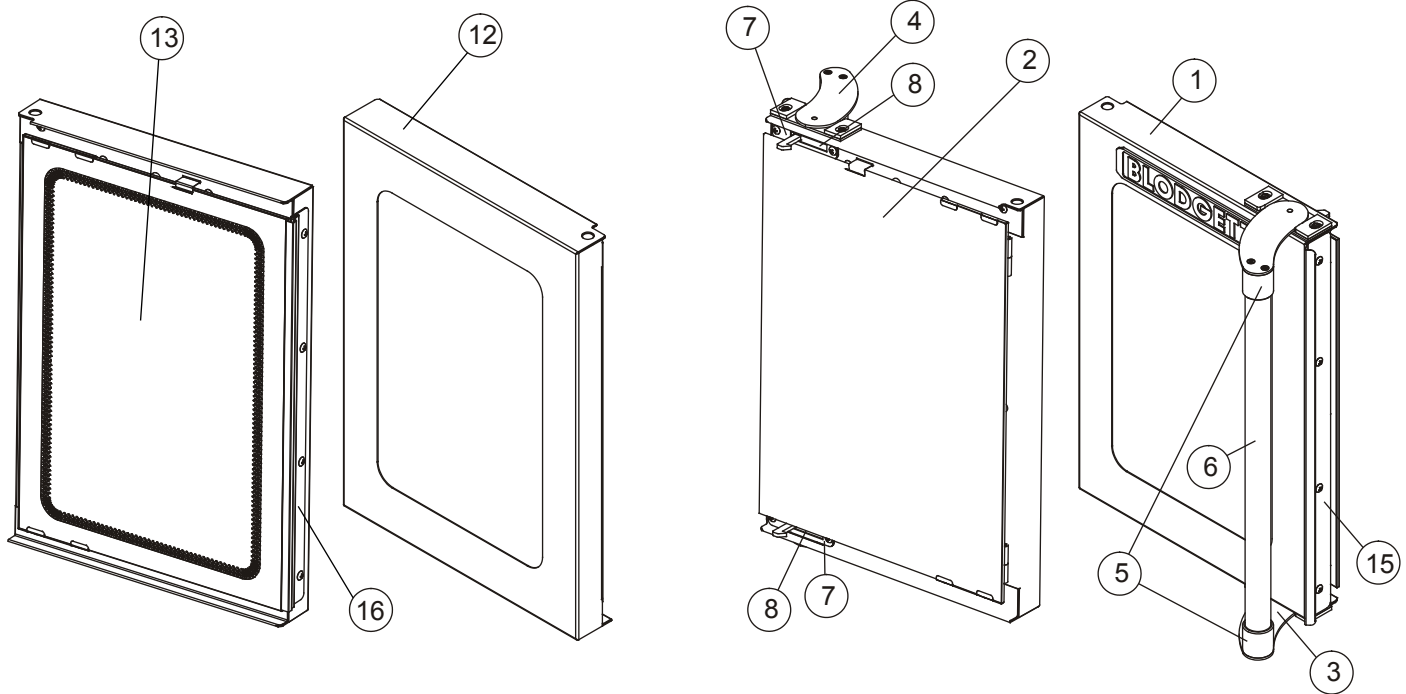
TOUCHSCREEN CONTROL



<u>Ref. No.</u>	<u>Part No.</u>	<u>Description</u>	<u>Ref. No.</u>	<u>Part No.</u>	<u>Description</u>
2	39781	MEAT PROBE JACK		57732	CONTROL, TOUCH SCREEN, DUNKIN DONUTS
3	52160	USB CABLE			
4	52161	COVER, USB			
5	39782	MEAT PROBE JACK PLUG	11	53220	SPEAKER RETAINER
6	52600	SPACER, USB PORT	12	53219	SPEAKER
8	39688	CIRCUIT BREAKER, 20A	15	54440	SPEAKER COVER
9	55162	CONTROL, TOUCH SCREEN, BEFORE 11/8/13	20	52806	DEFLECTOR, CONTROL PANEL DRIP
	57735	CONTROL, TOUCH SCREEN, AFTER 11/8/13	21	53007	CAVITY PROBE
				54330	COMMUNICATIONS CABLE
			22	58540	PANEL & DECAL

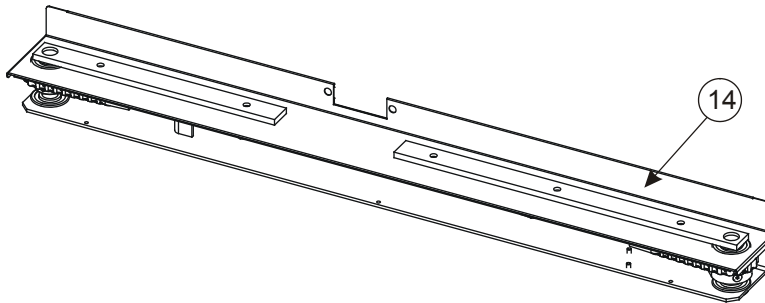
DOORS

STAINLESS STEEL



RH DOOR

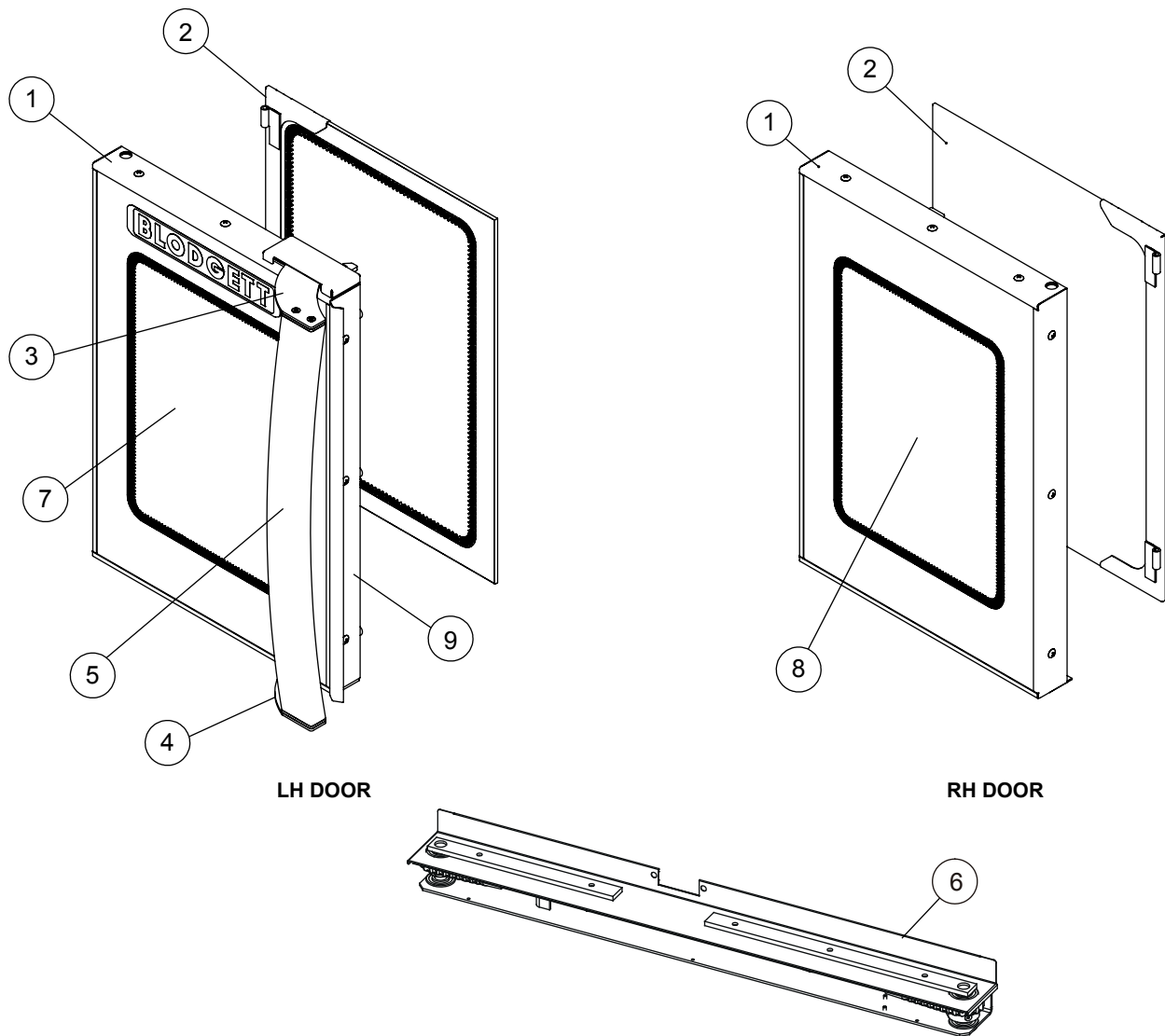
LH DOOR



Ref. No.	Part No.	Description
1	56762	ASSEMBLY, LH OUTER DOOR, WITH BLACK BORDER ON GLASS
	53825	ASSEMBLY, LH OUTER DOOR WITH RED BORDER ON GLASS
2	51534	ASSEMBLY, LH INNER DOOR GLASS WITH BLACK BORDER ON GLASS
	53827	ASSEMBLY, LH INNER DOOR GLASS WITH RED BORDER ON GLASS
3	58936	ASSY, LATCH RH
4	58937	ASSY, LATCH LH
5	50213	END CAP, HANDLE
6	51542	ASSEMBLY, DOOR HANDLE
7	51539	PLATE, LATCH COVER
8	51668	GASKET, DOOR LATCH
12	56766	ASSEMBLY, RH OUTER DOOR, WITH BLACK BORDER ON GLASS
	53826	ASSEMBLY, RH OUTER DOOR, WITH RED BORDER ON GLASS
13	51556	ASSEMBLY, RH INNER DOOR GLASS WITH BLACK BORDER ON GLASS
	53828	ASSEMBLY, RH INNER DOOR GLASS WITH RED BORDER ON GLASS
14	57953	DOOR TURNBUCKLE ASSEMBLY
	52514	DOOR SWITCH ASSEMBLY
15	51450	LH DOOR CENTER CHANNEL
16	51610	RH DOOR CENTER GASKET
	51631	RUBBER BUMPER (PUSH IN STYLE)
	60185	BUMPER (SCREW IN STYLE)

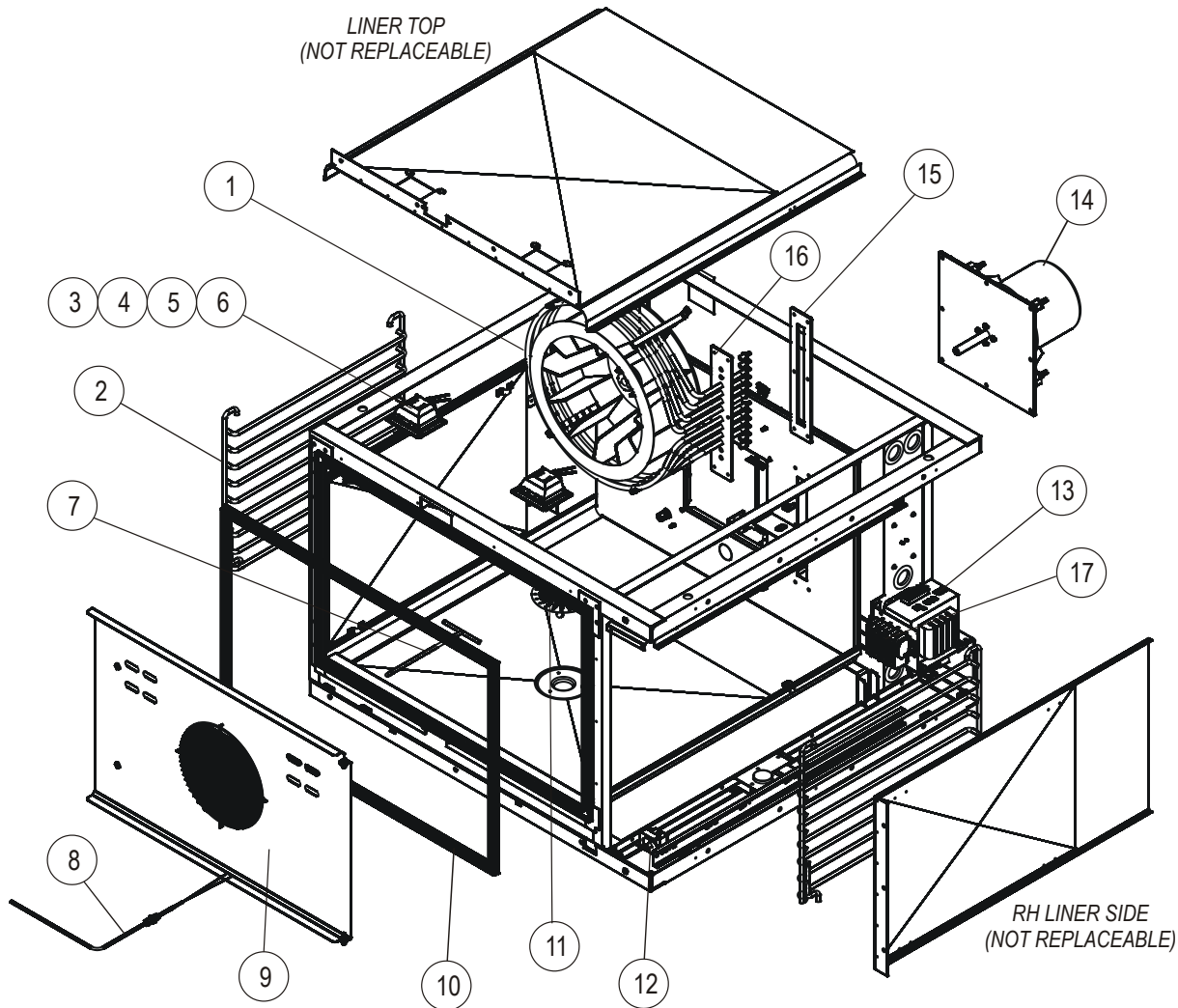
DOORS

BLACK GLASS



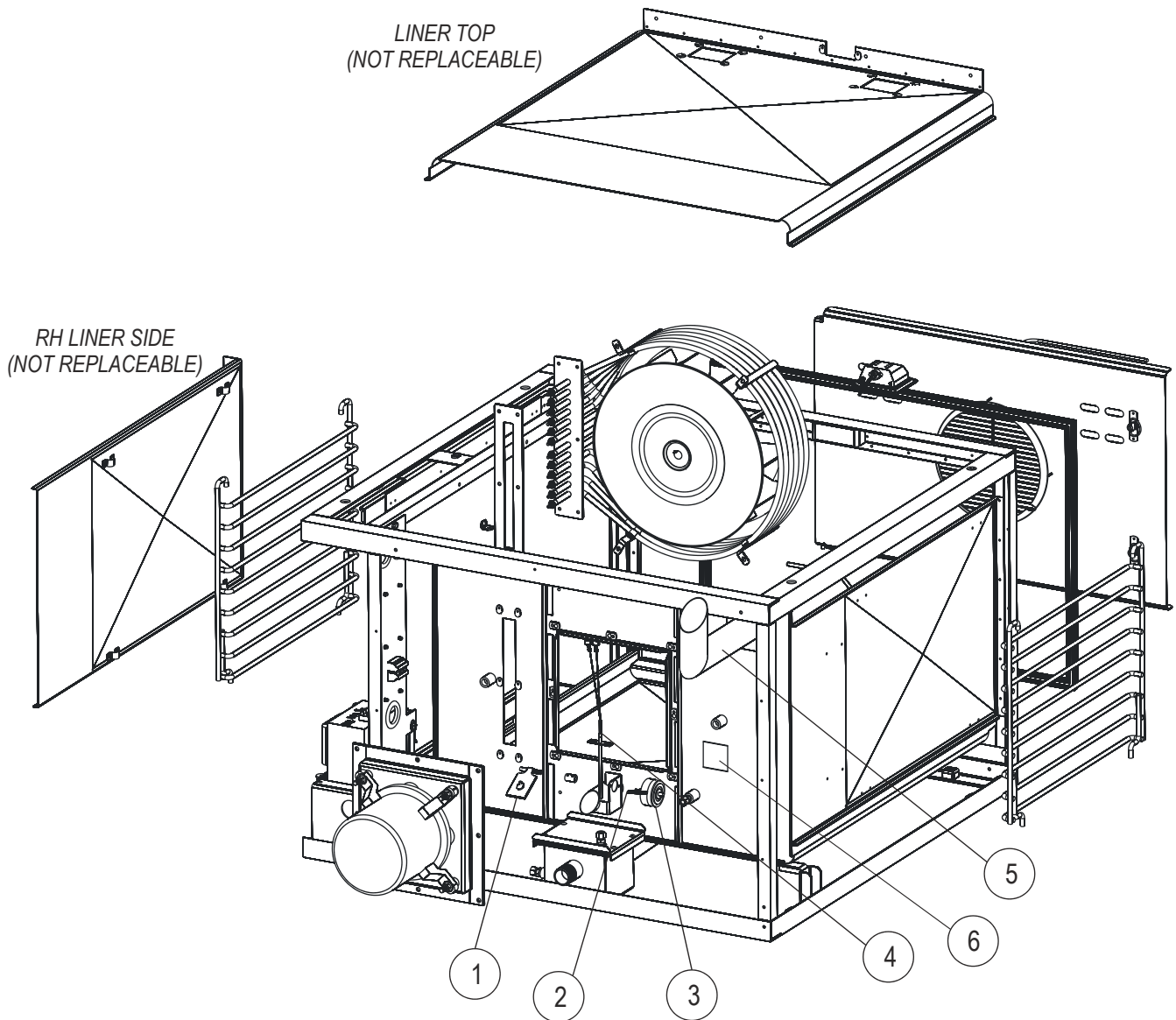
Ref. No.	Part No.	Description
1	55528	LH OUTER DOOR (COMPLETE AS SHOWN)
1	55542	RH OUT DOOR (COMPLETE AS SHOWN)
2	51534	LH INNER GLASS
	51556	RH INNER GLASS
3	58939	LATCH ASSY, RECT, LH
4	58938	LATCH ASSY, RECT, RH
5	55608	DOOR HANDLE
6	57953	DOOR TURNBUCKLE
	52514	DOOR SWITCH
7	55531	LH FRONT GLASS
8	55532	RH FRONT GLASS
9	55533	CENTER TRIM
	51610	CENTER DOOR GASKET
	60185	BUMPER (SCREW IN STYLE)
	51519	CLIP, DOOR GLASS

INTERIOR COMPONENTS - FRONT VIEW



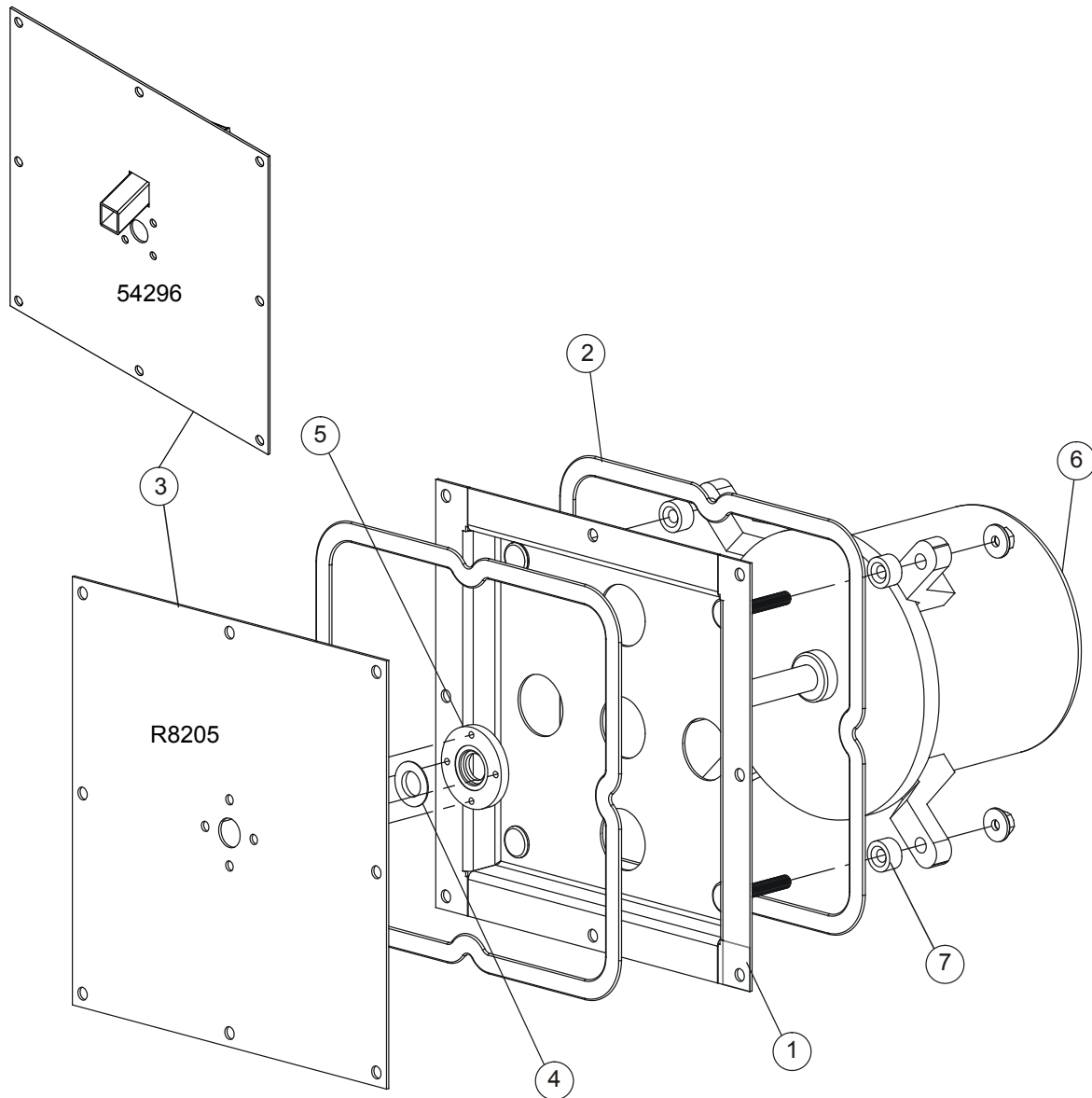
Ref. No.	Part No.	Description	Ref. No.	Part No.	Description
1	52958	BLOWER WHEEL WITH KEY (BEFORE 6/21/12)	9	52321	BAFFLE (BEFORE 6/21/12)
1	55303	BLOWER WHEEL WITH KEY (AFTER 6/21/12)	9	54863	BAFFLE (AFTER 6/21/12 & BEFORE 11/12/13)
2	54856	SIDE RACK SUPPORT (SET OF 2)	9	57496	BAFFLE (AFTER 11/11/13)
	R3664	WIRE RACK	10	52716	PERIMETER GASKET
3	D0128	LIGHT BULB FOR SQUARE LIGHT, TYPE G4 .16" BETWEEN PINS	11	50506	DRAIN STRAINER
	57075	LIGHT BULB FOR SQUARE LIGHT, TYPE G5.3 .21" BETWEEN PINS	12	36441	HIGH LIMIT THERMOSTAT
	53101	LIGHT BULB FOR ROUND LIGHT	13	51453	440-480V TRANSFORMER
4	50192	GLASS FOR SQUARE LIGHT	14	39333	MOTOR ASSEMBLY (BEFORE 6/21/12)
5	D0127	GASKET FOR SQUARE LIGHT	14	54293	MOTOR ASSEMBLY (AFTER 6/21/12)
6	D0125	BEZEL FOR SQUARE LIGHT	15	52304	ELEMENT GASKET
	53081	LENS & GASKETS FOR ROUND LIGHT	16	53280	14 kW, 208V ELEMENT ASSEMBLY AND GASKET KIT
	57058	HOUSING, SOCKET AND BULB FOR SQUARE LIGHT	16	53281	14 kW, 220/440V ELEMENT ASSEMBLY AND GASKET KIT
	53194	HOUSING, SOCKET AND BULB FOR ROUND LIGHT	16	53282	14 kW, 240/480V ELEMENT ASSEMBLY AND GASKET KIT
7	52957	WATER INJECTION TUBE AND FITTING KIT (BEFORE 6/21/12)	17	39733	TERMINAL BLOCK
8	53007	CAVITY TEMPERATURE PROBE AND FITTING KIT		53101	HALOGEN BULB, 12V 20W GY6 .35"
				58996	FRONT CAVITY VENT GASKET

INTERIOR COMPONENTS - REAR VIEW



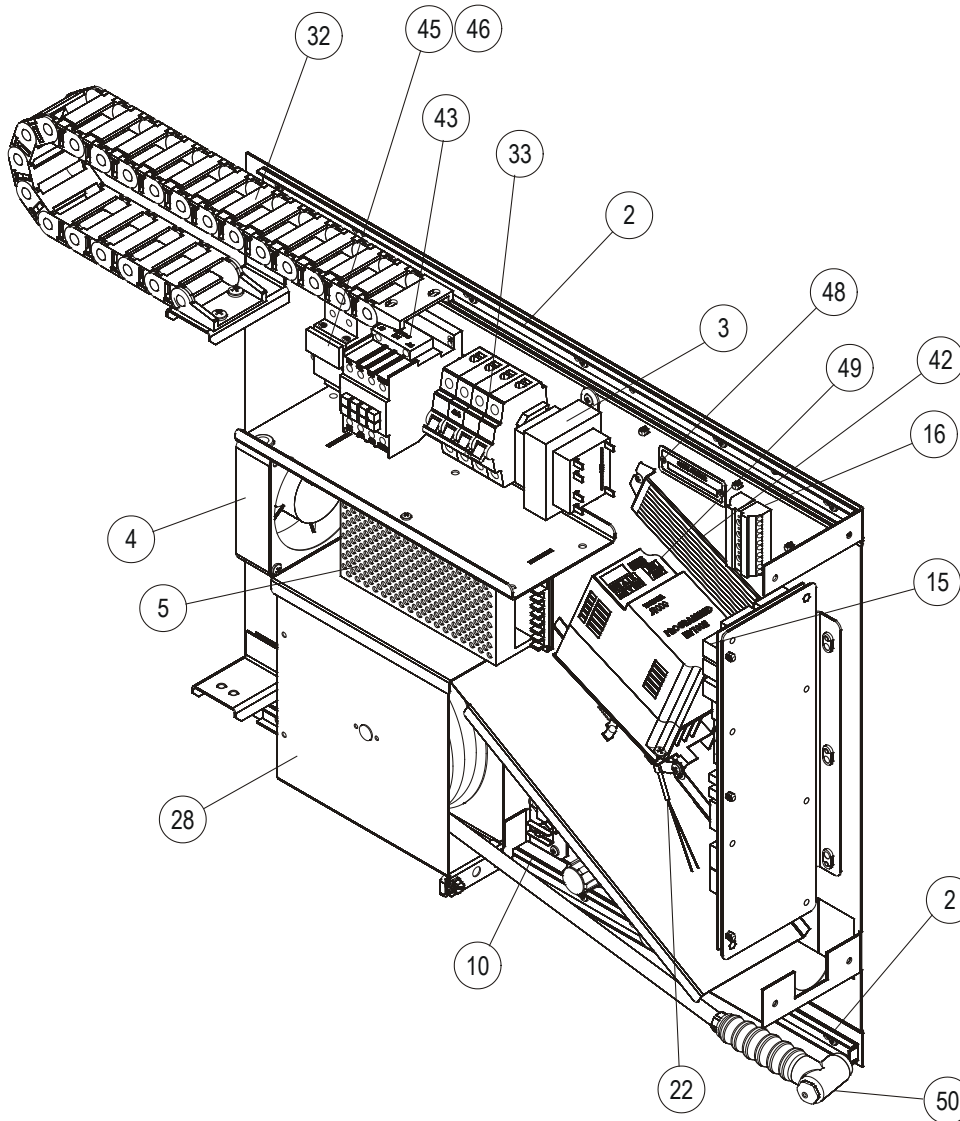
Ref. No.	Part No.	Description
1	50204	VENT LID ASSEMBLY (BEFORE 6/21/12)
1	55024	VENT LID ASSEMBLY W/COUPLING (AFTER 6/21/12)
2	39329	SHAFT COUPLING (BEFORE 6/21/12)
2	55025	SHAFT COUPLING (AFTER 6/21/12)
3	53008	CAVITY VENT SOLENOID
4	36720	QUENCH PROBE
5	54772	CAVITY VENT GASKET
6	58992	GASKET & COVER

MOTOR



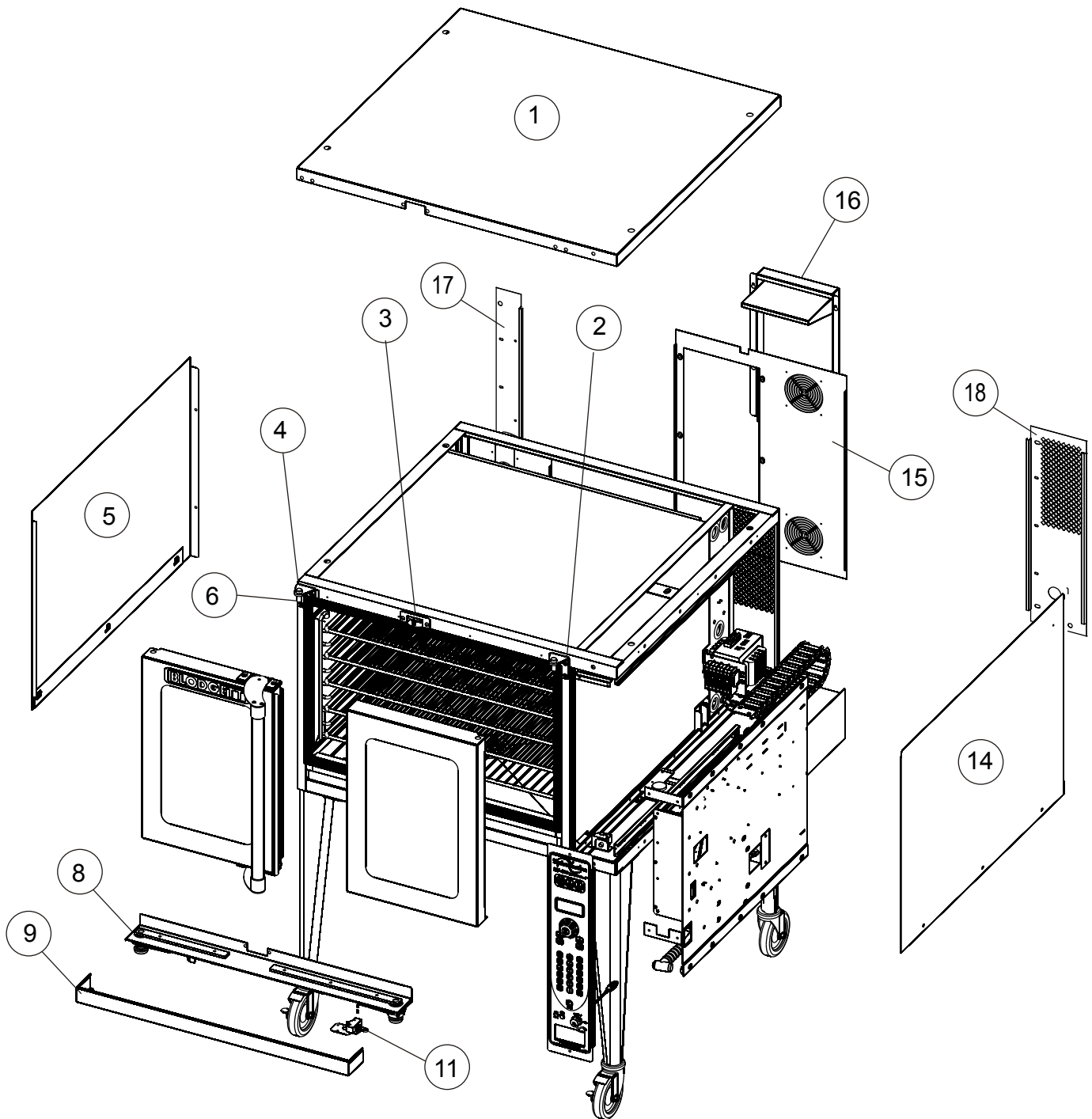
Ref. No.	Part No.	Description
1	39448	MOTOR MOUNT ASSEMBLY (BEFORE 6/21/12)
1	54294	MOTOR MOUNT ASSY (AFTER 6/21/12)
2	56956	MOTOR MOUNT GASKET
3	R8205	PLATE, FAN BRACKET COVER (BEFORE 6/21/12)
3	54296	PLATE, FAN BRACKET COVER (AFTER 6/21/12)
4	R4244	SHAFT SEAL
5	R8955	SEAL RETAINER
6	55301	MOTOR, 220V, 1/2 HP WITH KEY
7	R1971	SPACER, RACK GUIDE (QTY 4)

ELECTRICAL PANEL



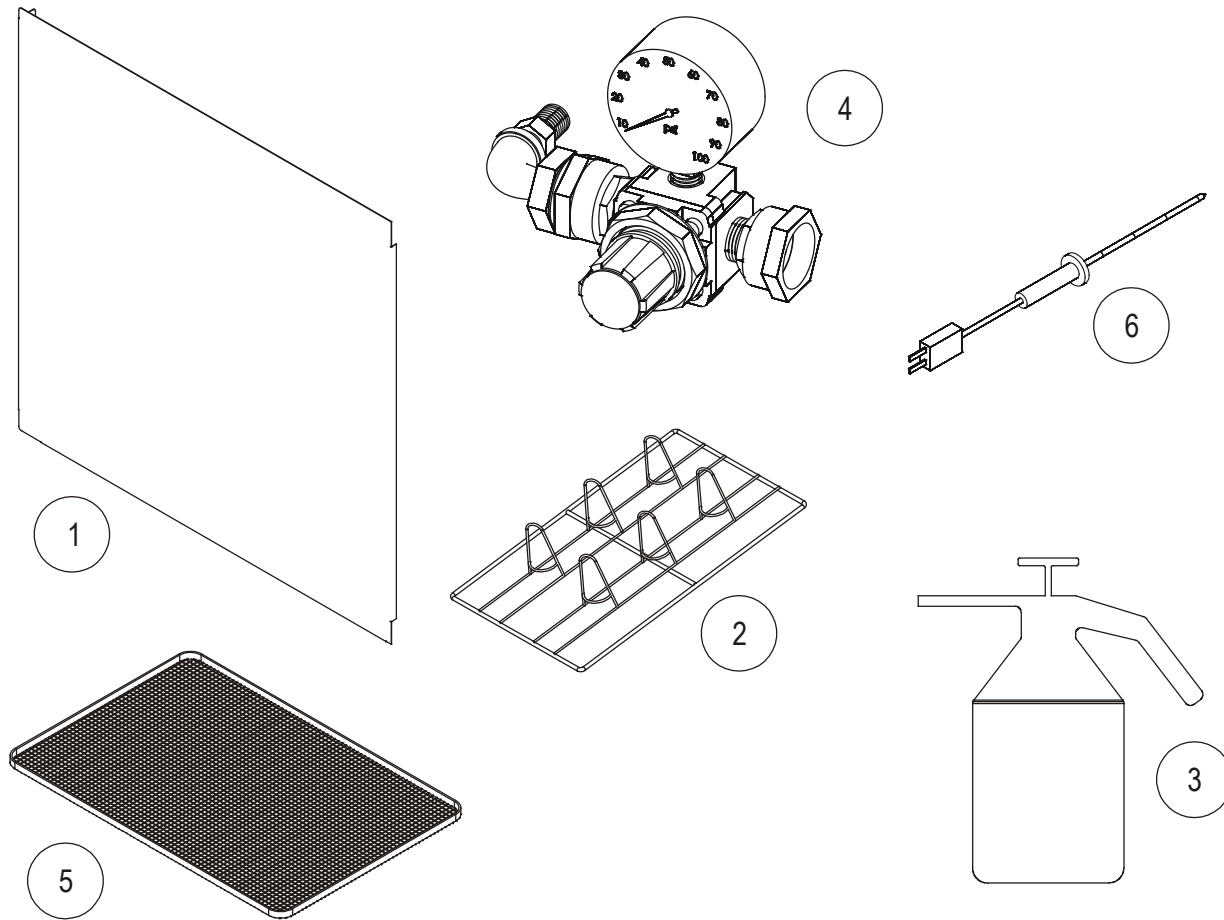
<u>Ref. No.</u>	<u>Part No.</u>	<u>Description</u>	<u>Ref. No.</u>	<u>Part No.</u>	<u>Description</u>
2	51588	DRAWER SLIDE, MOVING	33	52446	25A CIRCUIT BREAKER 440-480V (14 KW ELEMENT)
3	24356	TRANSFORMER, 120V TO 24V 80VA	42	52706	RESISTOR, MOTOR BRAKING
4	52947	AXIAL FAN, 4" (24V)	43	52717	CONTACTOR, 3 PHASE, 60A, 24VDC COIL FOR 12 KW ELEMENT (AFTER 6-15-2009)
5	52946	24VDC POWER SUPPLY		39120	RELAY, SOLID STATE (BEFORE 6-15-2009)
	M3166	FUSE, POWER SUPPLY	45	51454	FUSE HOLDER, 440-480V ONLY
10	58533	ASSY, WATER MANIFOLD	46	51455	FUSE, 7A 600V, 440-480V ONLY
	58350	FLOW VALVE AFTER 5-15-2015	49	52680	INVERTER DRIVE, PROGRAMMED HV100E
15	54380	INTERFACE BOARD, MANUAL OR MENUSELECT CONTROLS		57681	INVERTER DRIVE, PROGRAMMED DUNKIN DONUTS
	53206	INTERFACE BOARD, TOUCHSCREEN CONTROLS (BEFORE 11/8/13)	50	52998	HOSE REEL NOZZLE
	57727	INTERFACE BOARD, TOUCHSCREEN CONTROLS (AFTER 11/8/13)		52663	WATER TUBING KIT (CONSISTS OF 6' OF EACH COLOR TUBING)
16	50952	TERMINAL BLOCK, 5 POSITION PUSH IN		51016	HARNESS, INVERTER DRIVE
22	51516	PROBE, 3/16" DIA. 100 OHM RTD		51616	FITTING, 1/4NPT X 1/4 TUBE PUSH-IN
28	51605	ASSY, MINIATURE HOSE REEL		52351	BLUE POLYURETHANE TUBING (BY THE INCH)
32	52292	2" WIDE CABLE CARRIER		53902	NOISE FILTER
33	53271	50A CIRCUIT BREAKER 208-240V (14 KW ELEMENT)			

EXTERIOR COMPONENTS



<u>Ref. No.</u>	<u>Part No.</u>	<u>Description</u>	<u>Ref. No.</u>	<u>Part No.</u>	<u>Description</u>
1	51253	BODYTOP	14	51105	RH BODYSIDE
2	51082	RH HINGE	15	51651	CENTER BODY BACK, BEFORE 5/4/2015
3	57889	DOOR CATCH (TOP AND BOTTOM)		58329	CENTER BODY BACK, AFTER 5/4/2015
4	51081	LH HINGE	16	57104	BODYBACK ACCESS PANEL, BEFORE 5/4/2015
5	52479	LH BODYSIDE		58597	BODYBACK ACCESS PANEL, AFTER 5/4/2015
6	51591	HINGE PIN (LEFT AND RIGHT)	17	51255	RH BODYBACK BEFORE 5/4/2015
8	57953	TURNBUCKLE ASSEMBLY		58331	RH BODYBACK AFTER 5/4/2015
9	51698	FRONT TRIM	18	51254	LH BODYBACK BEFORE 5/4/2015
11	52514	DOOR SWITCH ASSEMBLY		58330	LH BODYBACK AFTER 5/4/2015

ACCESSORIES



Ref. No.	Part No.	Description
1	52889	HEAT SHIELD KIT
2	52387	CHICKEN ROASTING RACK
3	R10955	SPRAY BOTTLE
4	52815	PRESSURE REGULATOR, W/O HOSE REEL
	54734	PRESSURE REGULATOR W/HOSE REEL
5	54247	FRENCH FRY RACK
	33136	CORDSET ASSEMBLY 440-480VAC 3Ø
	57024	CORDSET ASSEMBLY 208-240VAC 3Ø
	8598	25" S/S LEGS W/FEET (SET OF 4)
	16002	CASTERS (SET OF 4)
	54698	34" OPEN STAND W/GUIDES AND FEET
	54699	34" OPEN STAND W/GUIDES AND CASTERS
	33196	6" SEISMIC LEGS (SET OF 4)
	8600	6" S/S LEGS W/FEET (SET OF 4)
	53057	8-1/2" LEGS W/CASTERS (SET OF 4)
	53058	11" LEGS W/FEET (SET OF 4)
	53059	11" LEGS W/SEISMIC FEET (SET OF 4)
6	56545	MEAT PROBE, 4", DUAL SENSOR
6	56546	MEAT PROBE, 6", DUAL SENSOR
	57685	MEAT PROBE, 4" FILLET
	54671	EXTERNAL HOSE REEL KIT
	52998	SPRAY NOZZLE (PUSH-BUTTON)
	58537	KIT STACKING (HOSE REEL NOT INCLUDED)