



**HVH-100E  
ELECTRIC HYDROVECTION HELIX OVEN  
REPLACEMENT PARTS LIST**

**EFFECTIVE APRIL 15, 2016**

Superseding All Previous Parts Lists.

The Company reserves the right to make substitution in the event that items specified are not available.

ERRORS: Descriptive and/or typographic errors are subject to correction.

---

**BLODGETT OVEN COMPANY**

44 Lakeside Avenue, Burlington, Vermont 05401 USA Telephone: (802) 658-6600 Fax: (802) 860-3732  
[www.blodgett.com](http://www.blodgett.com)

*P/N 58529 Rev E*

## **SERIAL NUMBER LOCATION / KEY:**

***IMPORTANT: When ordering parts, please provide the model, gas type and serial number of the oven. The identification plate is located on the back of the oven.***

## **SERIAL NUMBER IDENTIFICATION CODE:**

**DT = HVH-100E HYDROVECTION OVEN**

### **SERIAL NUMBER EXAMPLES**

**011915DT001**

**01/19/15 = DATE**

**DT = LETTER CODE FOR HV-100E**

**001 = FACTORY SEQUENCE**

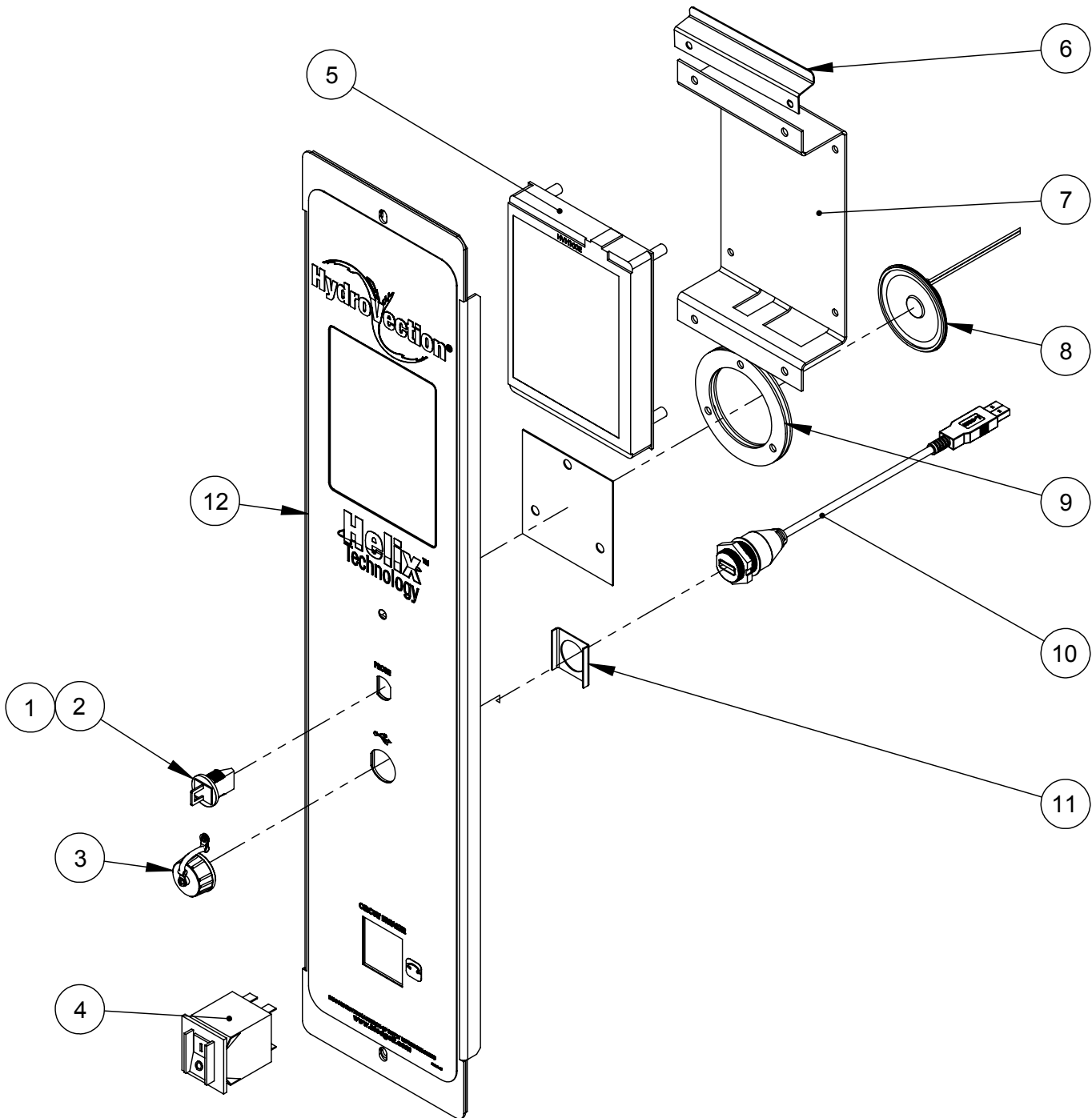
## **TO OBTAIN LITERATURE:**

Email: [literature@blodgett.com](mailto:literature@blodgett.com)  
or visit  
[www.blodgett.com](http://www.blodgett.com)

# TABLE OF CONTENTS

TOUCHSCREEN CONTROL .....	4
DOORS .....	5
INTERIOR COMPONENTS .....	6
VENT COMPONENTS.....	7
MOTOR .....	8
ELECTRICAL PANEL.....	9
EXTERIOR COMPONENTS .....	10
ACCESSORIES.....	11
HELIX ASSEMBLY .....	12

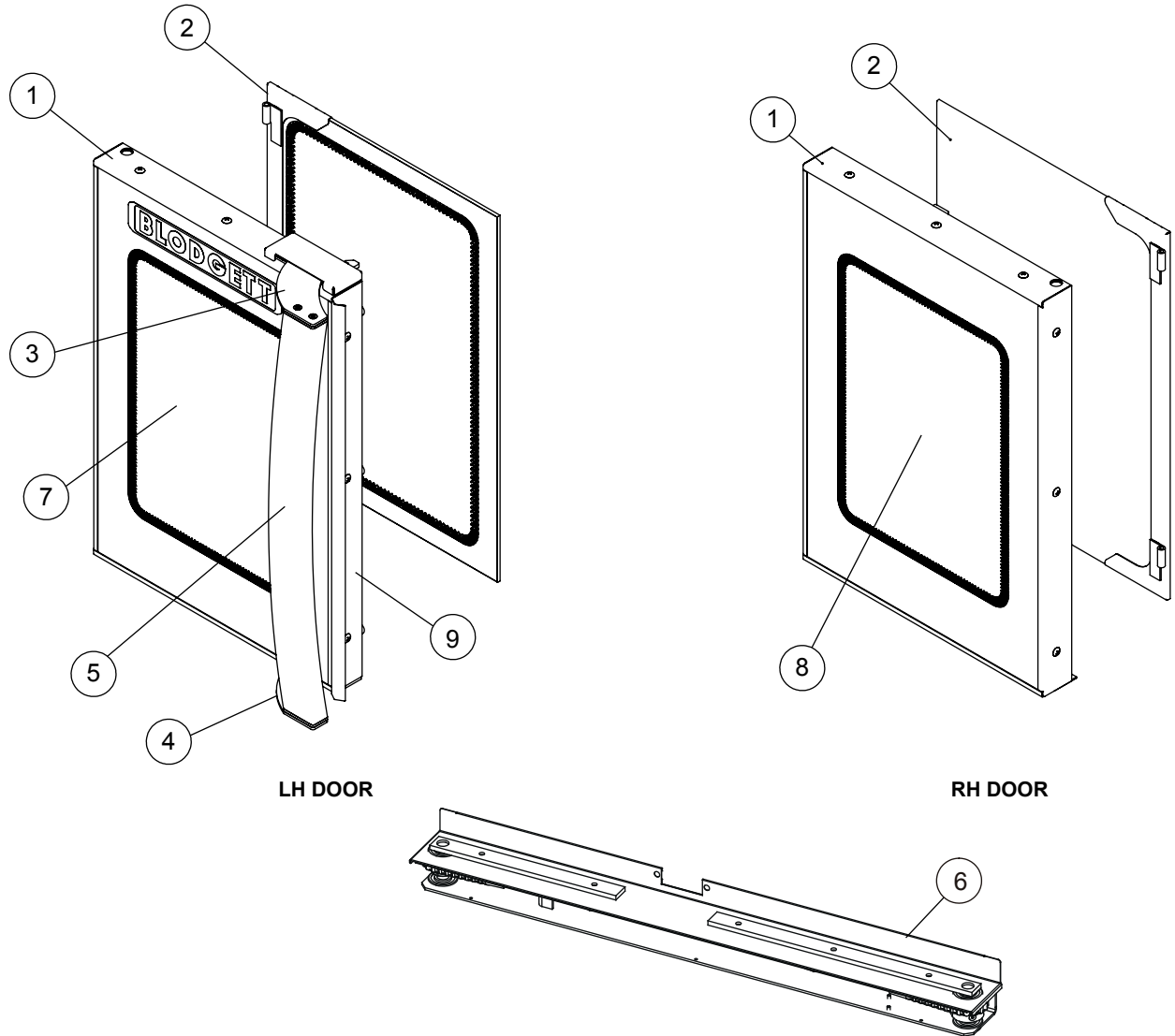
# TOUCHSCREEN CONTROL



Ref. No.	Part No.	Description
1	39781	MEAT PROBE JACK
2	39782	PLUG, MEAT PROBE JACK
3	52161	COVER, USB
4	39688	CIRCUIT BREAKER, 20A
5	58517	TS CONTROL, HVH-100E
6	52806	DEFLECTOR
7	53986	TS FRAME

Ref. No.	Part No.	Description
8	53219	SPEAKER
9	53220	SPEAKER RETAINER
10	52160	USB PLUG
11	52600	SPACER USB
12	58601	PANEL & DECAL
	54330	COMMUNICATIONS CABLE

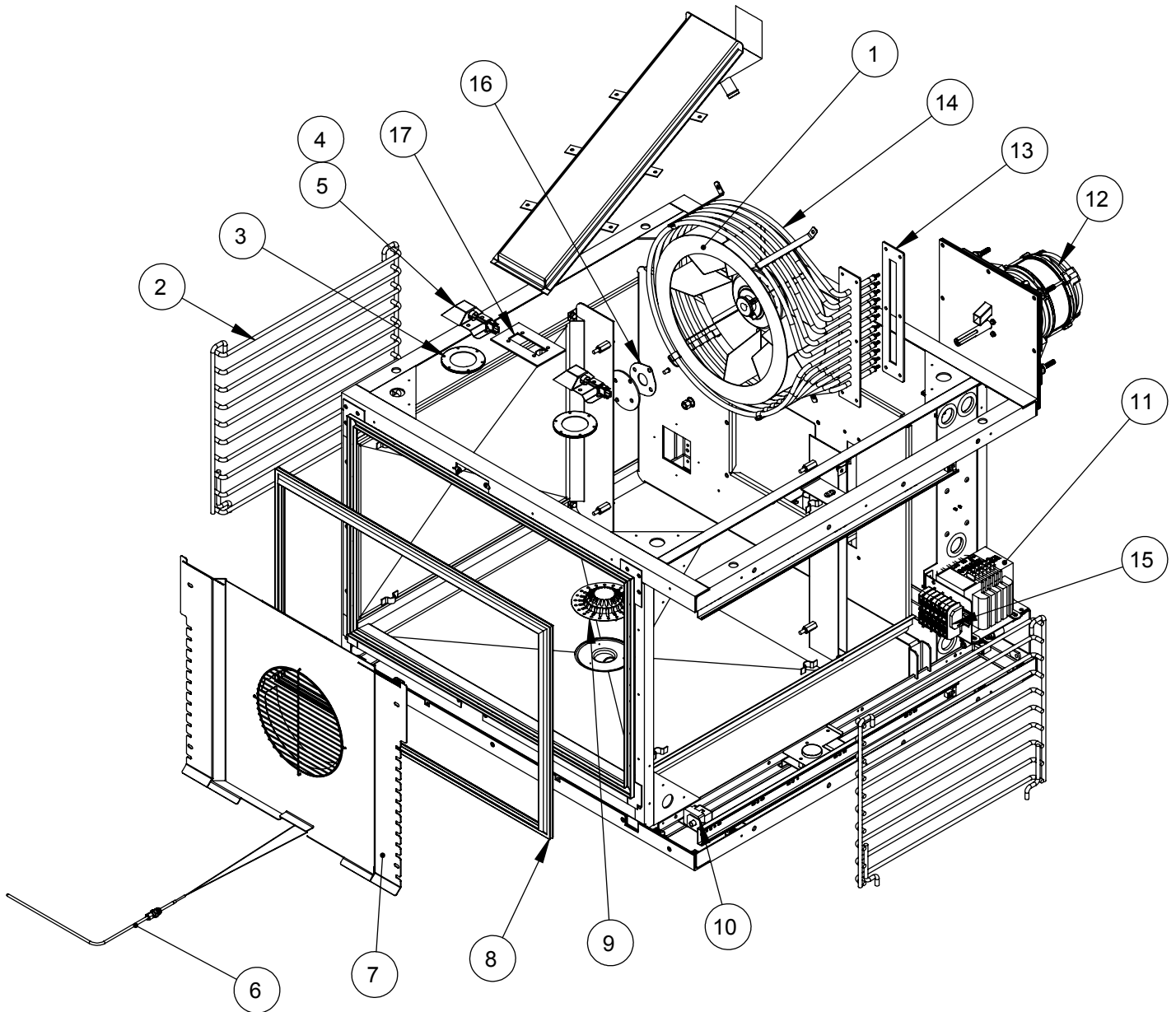
# DOORS



<u>Ref. No.</u>	<u>Part No.</u>	<u>Description</u>
1	55528	LH OUTER DOOR (COMPLETE AS SHOWN)
1	55542	RH OUT DOOR (COMPLETE AS SHOWN)
2	51534	LH INNER GLASS
	51556	RH INNER GLASS
3	58939	LATCH ASSY, RECT, LH
4	58938	LATCH ASSY, RECT, RH
5	55608	DOOR HANDLE

<u>Ref. No.</u>	<u>Part No.</u>	<u>Description</u>
6	57953	DOOR TURNBUCKLE
	52514	DOOR SWITCH
7	55531	LH FRONT GLASS
8	55532	RH FRONT GLASS
9	55533	CENTER TRIM
	51610	CENTER DOOR GASKET
	60185	BUMPER (SCREW IN STYLE)

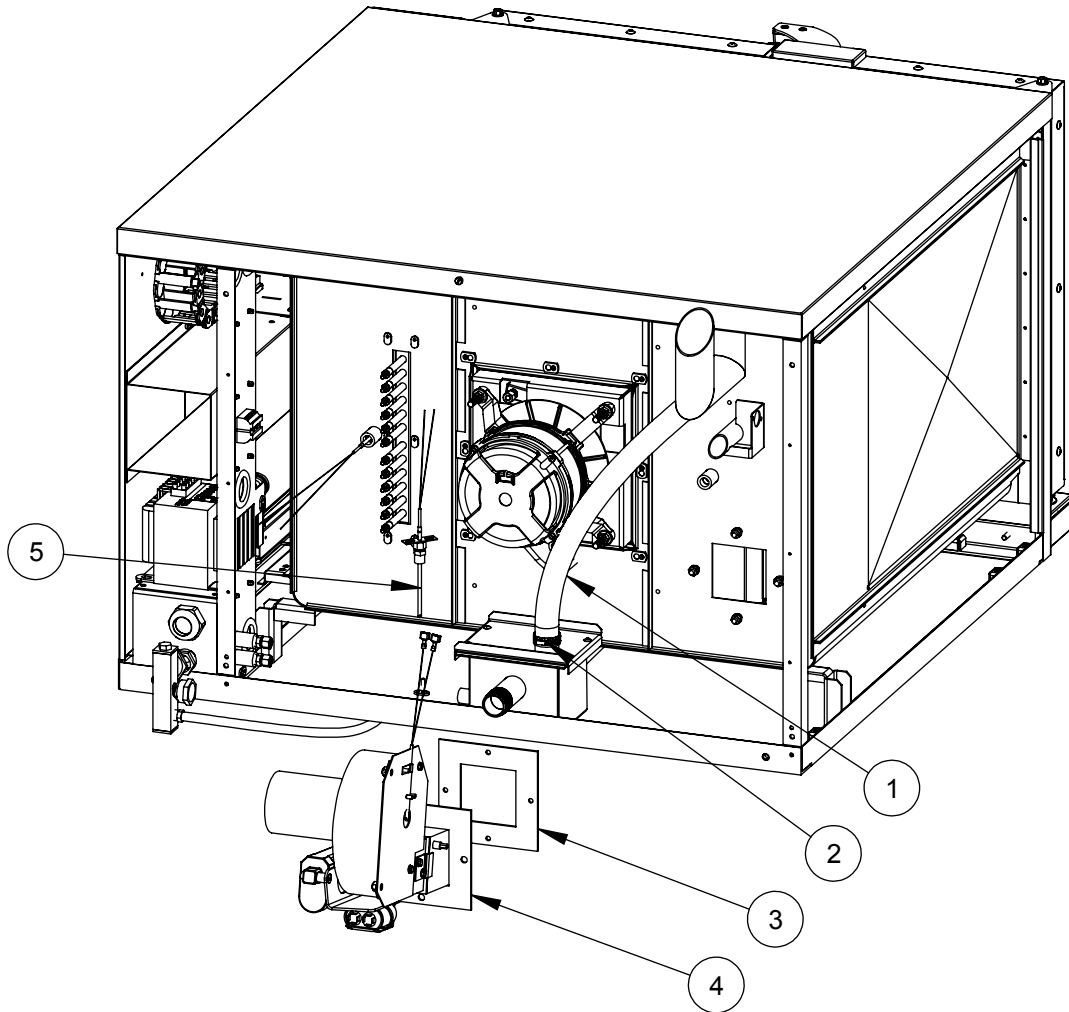
# INTERIOR COMPONENTS



Ref. No.	Part No.	Description
1	55303	BLOWER WHEEL W/KEY
2	54856	SIDE RACK SUPPORT (SET OF 2)
	R3664	WIRE RACK
3	53081	LIGHT LENS AND GASKET
4	53101	LIGHT BULB FOR ROUND LIGHT
5	53194	LIGHT SOCKET
6	53007	CAVITY TEMPERATURE PROBE KIT
7	57496	BAFFLE
8	52716	PERIMETER GASKET
9	50506	DRAIN STRAINER
10	36441	HIGH LIMIT THERMOSTAT

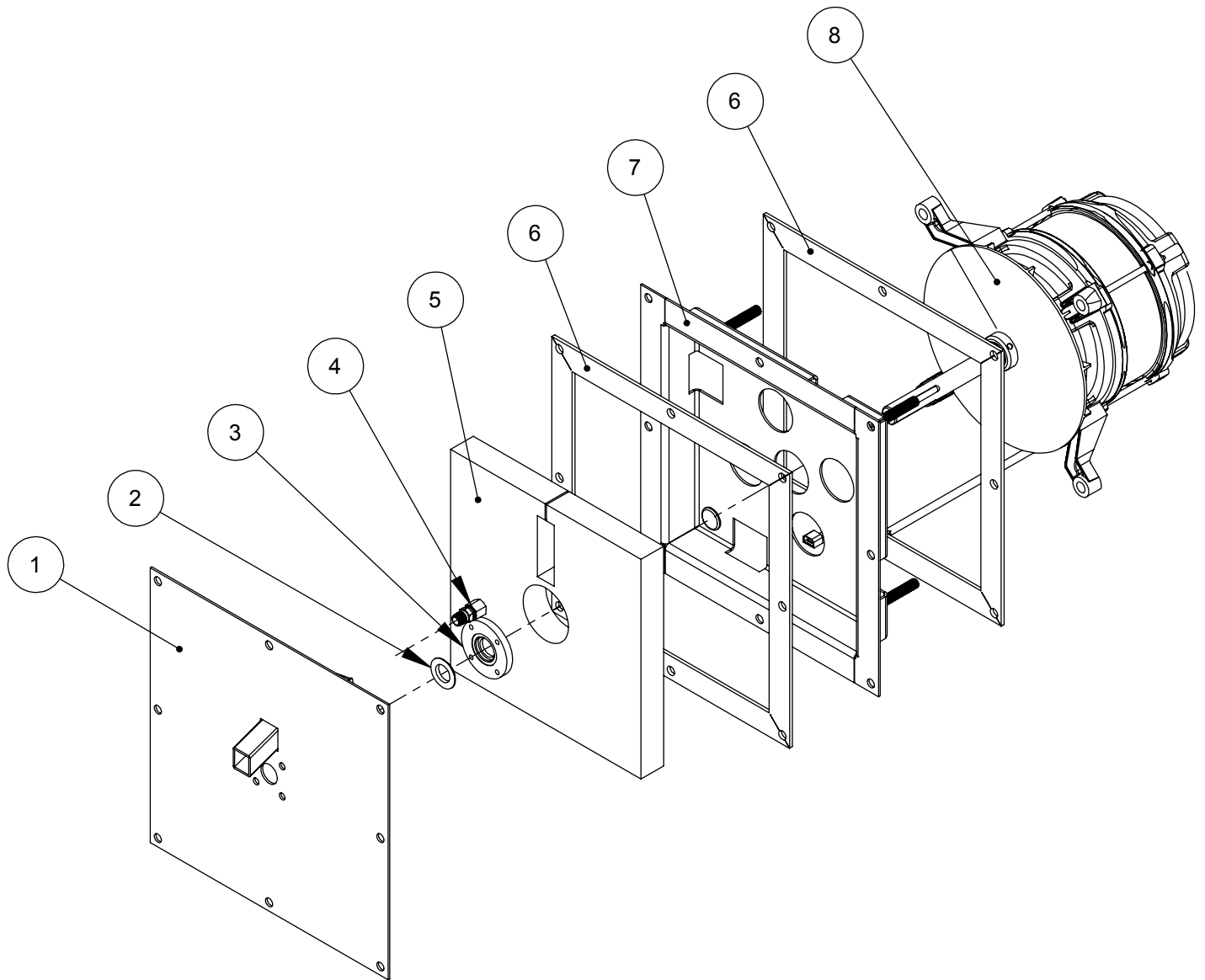
Ref. No.	Part No.	Description
11	51453	440-480V TRANSFORMER
12	54293	MOTOR ASSEMBLY
13	52304	ELEMENT GASKET
14	53280	14 KW, 208V ELEMENT & GASKET KIT
14	53281	14 KW, 220/440V ELEMENT & GASKET KIT
14	53282	14 KW, 240/480V ELEMENT & GASKET KIT
15	39733	TERMINAL BLOCK
16	58513	INTAKE VENT GASKET
17	58996	CAVITY VENT GASKET

# VENT COMPONENTS



<b>Ref. No.</b>	<b>Part No.</b>	<b>Description</b>
1	57025	SILICONE HOSE (BY THE INCH)
2	R0254	HOSE CLAMP
3	57726	HELIX ASSEMBLY GASKET
4	58368	HELIX ASSEMBLY
5	36720	QUENCH PROBE

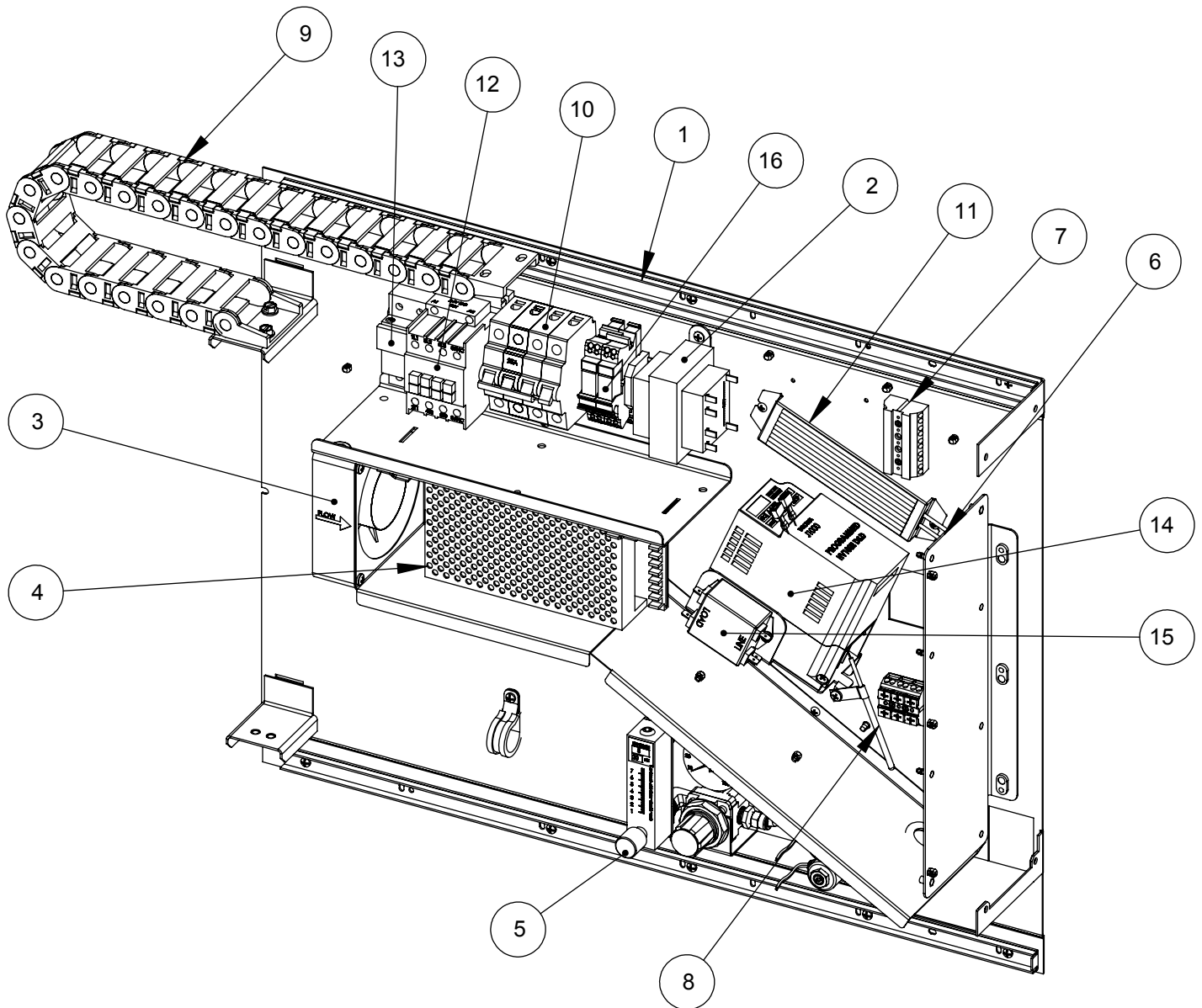
# MOTOR



<b>Ref. No.</b>	<b>Part No.</b>	<b>Description</b>
1	54296	COVER PLATE ASSEMBLY
2	R4244	SHAFT SEAL
3	R8955	SEAL RETAINER
4	M0959	COMPRESSION FITTING
5	57318	INSULATION
6	56956	MOTOR GASKET
7	54294	MOTOR MOUNT
8	55301	MOTOR

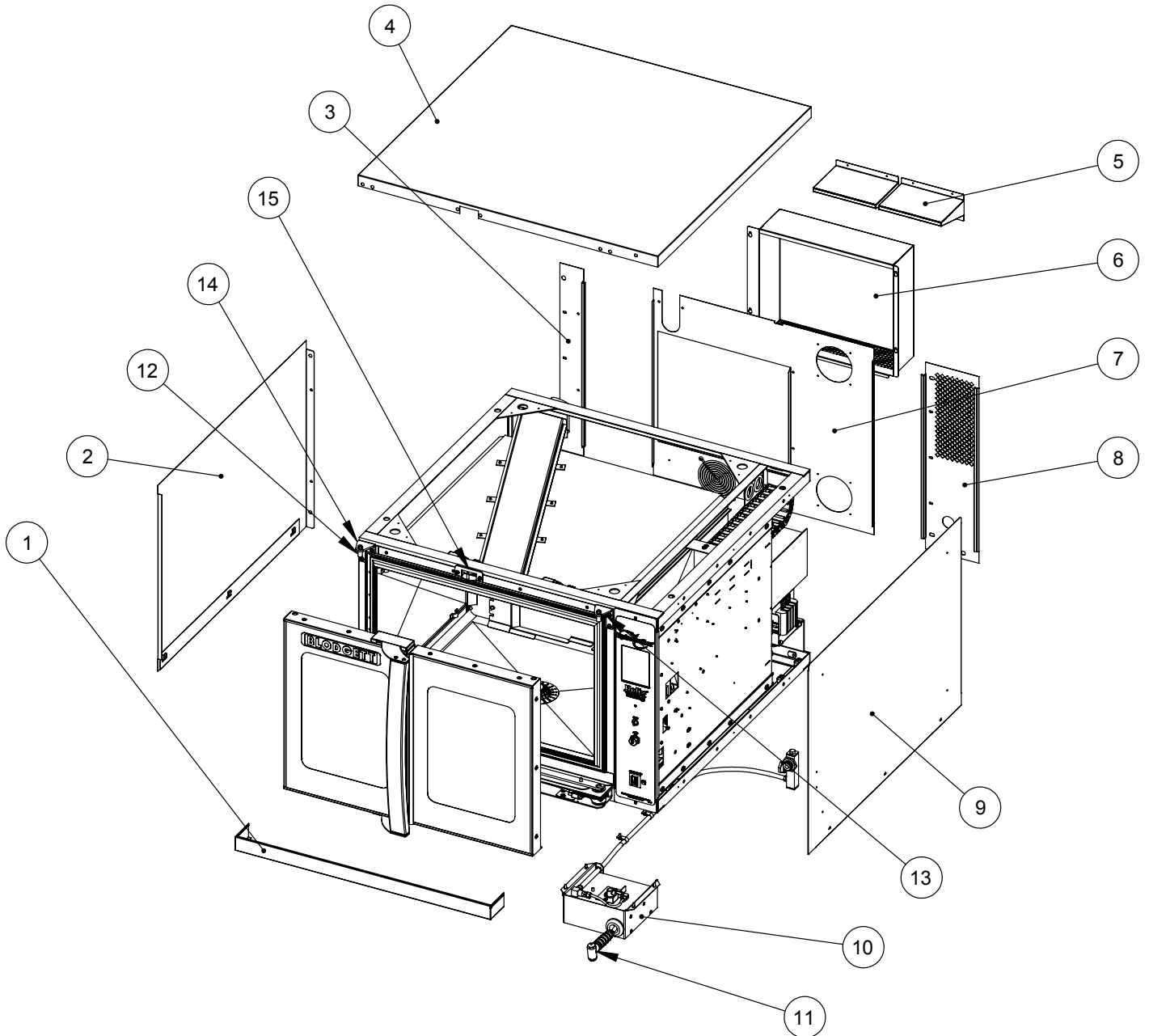


# ELECTRICAL PANEL



<u>Ref. No.</u>	<u>Part No.</u>	<u>Description</u>	<u>Ref. No.</u>	<u>Part No.</u>	<u>Description</u>
1	51588	DRAWER SLIDE, MOVING	10	53271	CIRCUIT BREAKER, 50A, 208-240V
2	24356	TRANSFORMER, 120V TO 24V 80VA		52446	CIRCUIT BREAKER 25A, 480V
3	52947	AXIAL FAN, 4" (24V)	11	52706	RESISTOR, MOTOR BREAKING
4	52946	24VDC POWER SUPPLY	12	52717	CONTACTOR, 3PH, 24 VDC
	M3166	FUSE, POWER SUPPLY	13	51454	FUSE HOLDER, 440/480V ONLY
5	58533	WATER MANIFOLD ASSY		51455	FUSE, 7A 600V, 440/480 ONLY
6	57727	TOUCHSCREEN INTERFACE BOARD	14	57681	240V VFD PROGRAMMED, V-CONTROL
7	50952	TERMINAL BLOCK	15	53902	NOISE FILTER
8	51516	PROBE, 100 OHM RTD	16	38604	RELAY, 24V
9	52292	CABLE CARRIER		52663	WATER TUBING KIT (CONSISTS OF 6' OF EACH COLOR TUBING)

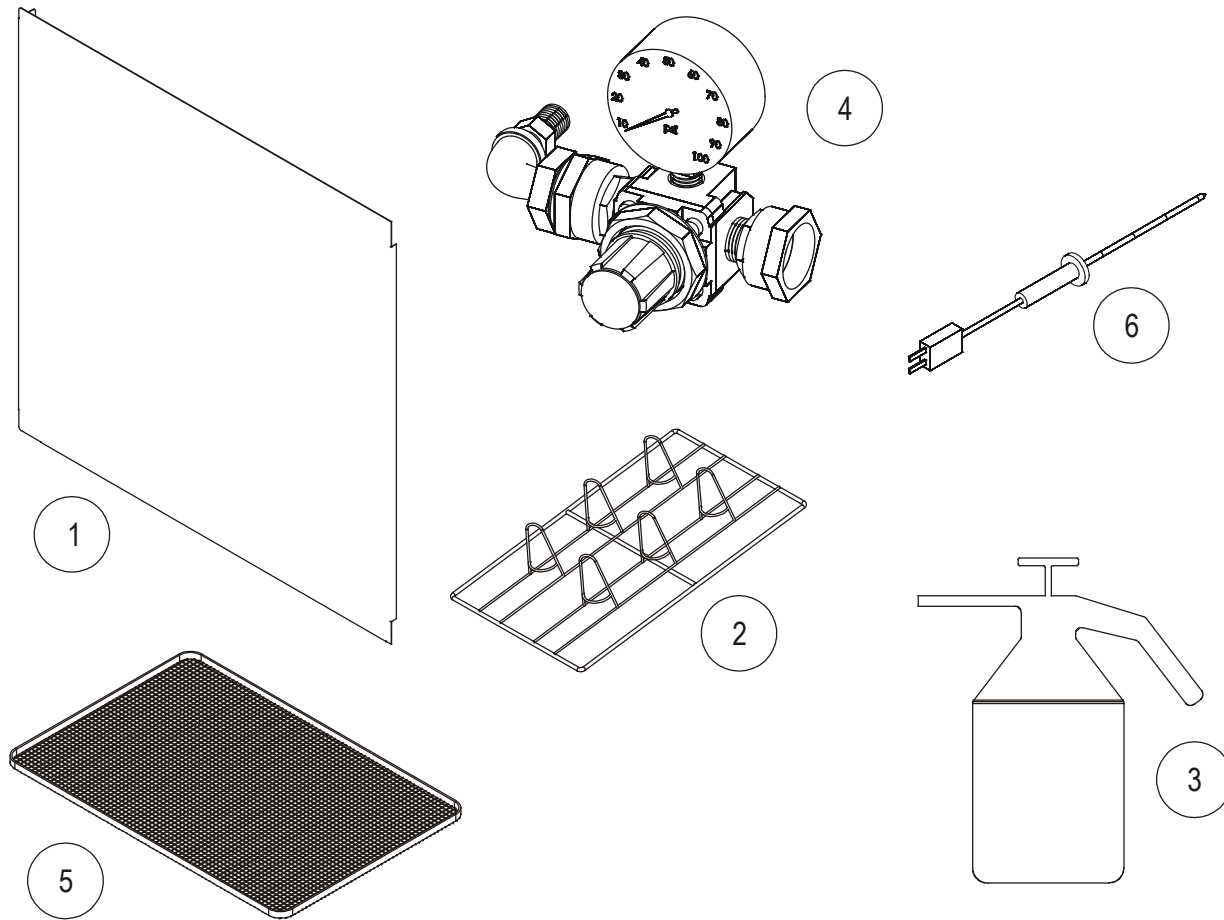
# EXTERIOR COMPONENTS



<u>Ref. No.</u>	<u>Part No.</u>	<u>Description</u>
1	51698	FRONT TRIM
2	52479	LH BODYSIDE
3	58331	RH BODYBACK
4	51253	BODYTOP
5	51630	MOTOR VENT
6	58332	BODYBACK ACCESS PANEL
7	58329	BODYBACK CENTER, ELECTRIC
8	58330	LH BODYBACK, ELECTRIC

<u>Ref. No.</u>	<u>Part No.</u>	<u>Description</u>
9	51105	RH BODYSIDE
10	54671	EXTERNAL HOSE REEL KIT
11	52998	SPRAY NOZZLE (PUSH BUTTON)
12	51591	HINGE PIN (LEFT & RIGHT)
13	51081	RH HINGE
14	51082	LH HINGE
15	57889	DOOR LATCH CATCH

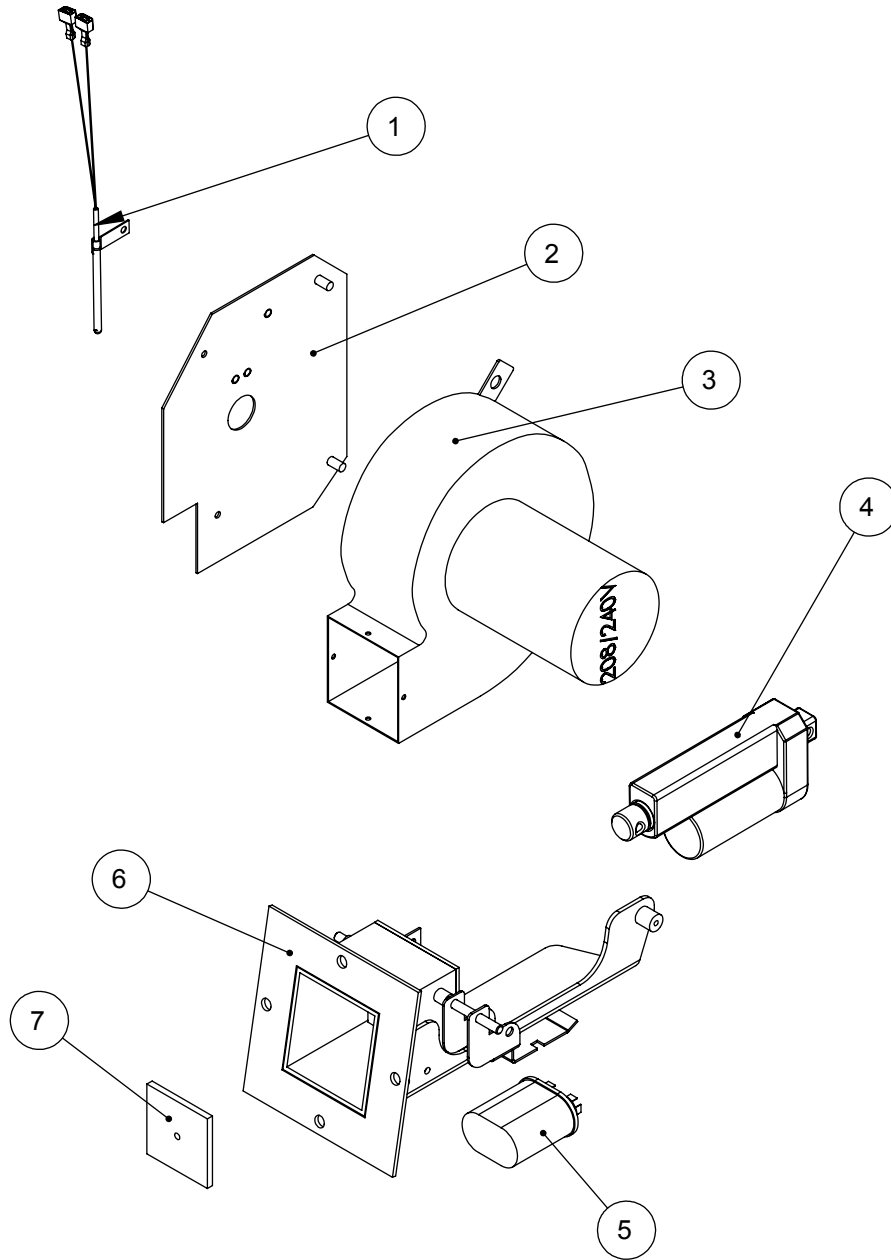
# ACCESSORIES



Ref. No.	Part No.	Description
1	52889	HEAT SHIELD KIT
2	52387	CHICKEN ROASTING RACK
3	R10955	SPRAY BOTTLE
4	52815	PRESSURE REGULATOR, W/O HOSE REEL
	54734	PRESSURE REGULATOR W/HOSE REEL
5	54247	FRENCH FRY RACK
	33136	CORDSET ASSEMBLY, 440-480 VAC, 3Ø
	57024	CORDSET ASSEMBLY, 208-240 VAC, 3Ø
	8598	25" S/S LEGS W/FEET (SET OF 4)
	16002	CASTERS (SET OF 4)
	54698	34" OPEN STAND W/GUIDES AND FEET
	54699	34" OPEN STAND W/GUIDES AND CASTERS

Ref. No.	Part No.	Description
	33196	6" SEISMIC LEGS (SET OF 4)
	8600	6" S/S LEGS W/FEET (SET OF 4)
	53057	8-1/2" LEGS W/CASTERS (SET OF 4)
	53058	11" LEGS W/FEET (SET OF 4)
	53059	11" LEGS W/SEISMIC FEET (SET OF 4)
6	56545	MEAT PROBE, 4", DUAL SENSOR
6	56546	MEAT PROBE, 6", DUAL SENSOR

# HELIX ASSEMBLY



<b>Ref. No.</b>	<b>Part No.</b>	<b>Description</b>
1	51516	PROBE
2	57843	RESTRICTOR PLATE
3	54672	BLOWER, 208/240
4	50617	ACTUATOR, 24V
5	38610	CAPACITOR
6	57668	HELIX FLAPPER ASSEMBLY
7	57671	FLAPPER GASKET