



DFG-100-ES AND DFG-200-ES CONVECTION OVEN REPLACEMENT PARTS LIST



EFFECTIVE JUNE 12, 2015

Superseding All Previous Parts Lists.

The Company reserves the right to make substitution in the event that items specified are not available.

ERRORS: Descriptive and/or typographic errors are subject to correction.

BLODGETT OVEN COMPANY

44 Lakeside Avenue, Burlington, Vermont 05401 USA Telephone: (802) 658-6600 Fax: (802) 860-3732
www.blodgett.com

P/N 57916 Rev G

SERIAL NUMBER LOCATION / KEY:

IMPORTANT: When ordering parts, please provide the model, gas type and serial number of the oven. The rating plate is located behind the control panel. The oven serial number is located on the top of the right hand side of the oven.

**SERIAL NUMBER IDENTIFICATION CODE:
CC - DFG-100-ES GAS CONVECTION OVEN
CD - DFG-200-ES GAS CONVECTION OVEN**

SERIAL NUMBER EXAMPLE

**010114CC001X
01/01/14 = DATE
CC = LETTER CODE FOR DFG-100-ES
001 = FACTORY SEQUENCE
X = SECTION ID (T for top, B for bottom section)**

TO OBTAIN LITERATURE:

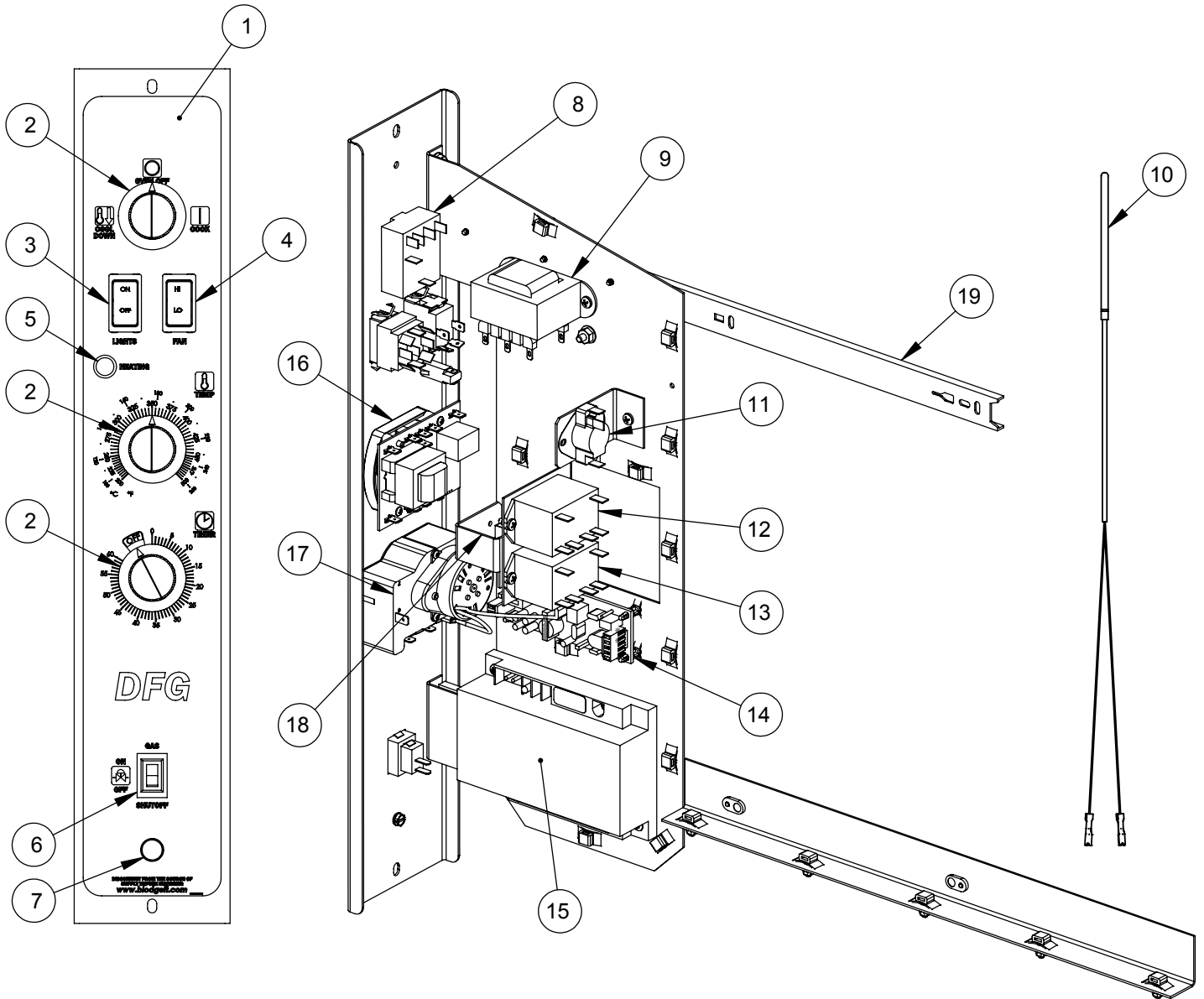
Email: literature@blodgett.com
or visit
www.blodgett.com

TABLE OF CONTENTS

◆ Doors Are Not Returnable

SOLID STATE INFINITE CONTROL W/60 MINUTE TIMER	4
SOLID STATE INFINITE CONTROL W/DIGITAL TIMER	5
SOLID STATE DIGITAL CONTROL	6
BURNER COMPONENTS	7
INTERIOR HEAT SYSTEM COMPONENTS.....	9
LOWER DOOR SUPPORT COMPONENTS.....	10
EXTERIOR COMPONENTS & DOORS	11
INTERIOR COMPONENTS	12
ACCESSORIES	14

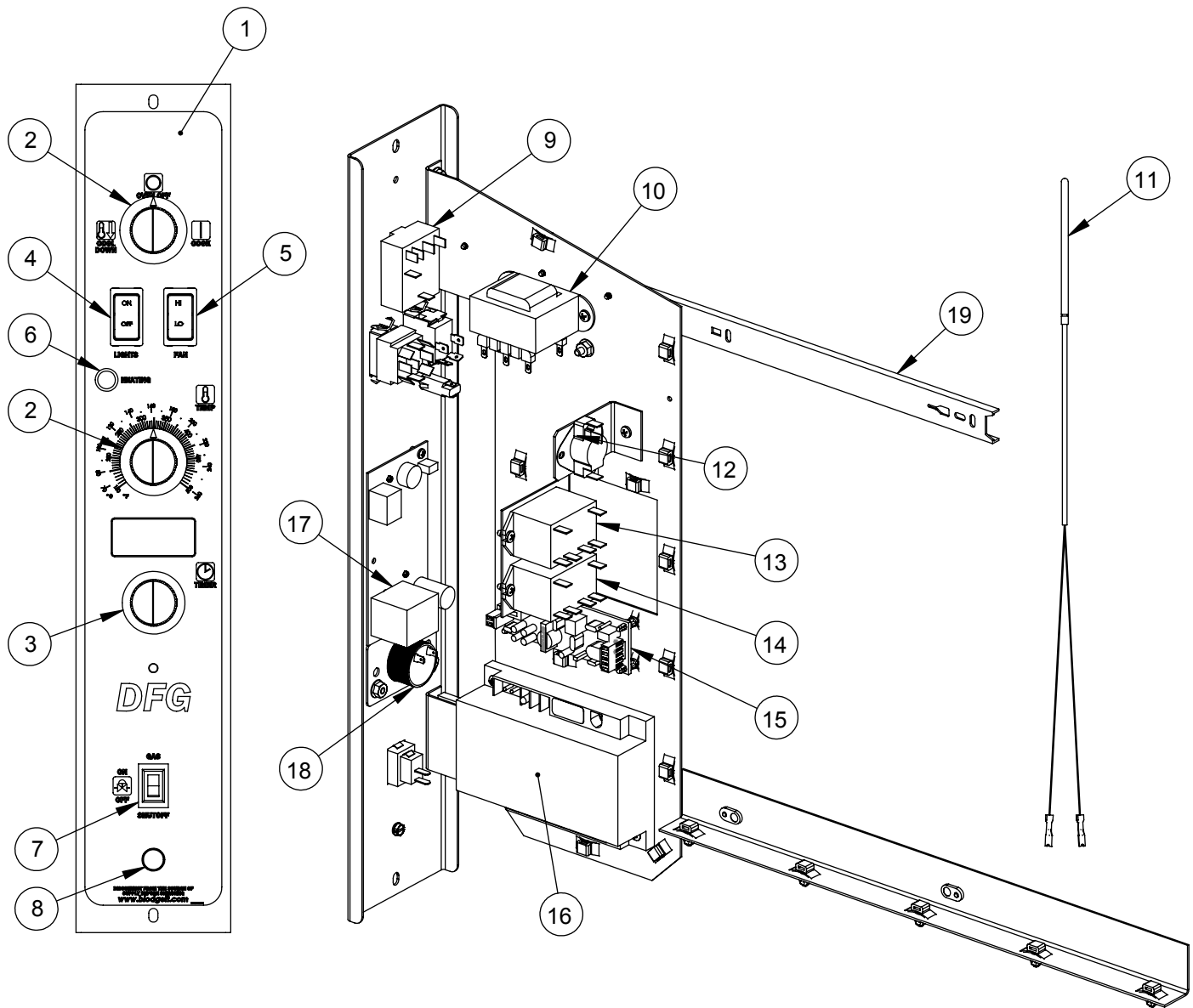
P/N 57538 - SSI-M INFINITE CONTROL W/60 MINUTE TIMER



Ref. No.	Part No.	Description
	57538	CONTROL MODULE, SSI-M, COMPLETE
1	57918	PANEL AND DECAL
2	36616	KNOB W/POINTER
3	6497	SWITCH, ROCKER, SPST
4	20530	SWITCH, ROCKER, 3PDT
5	18265	INDICATOR LIGHT
6	36376	SWITCH, GAS ON/OFF
7	57724	KNOB, CONTROL PULL

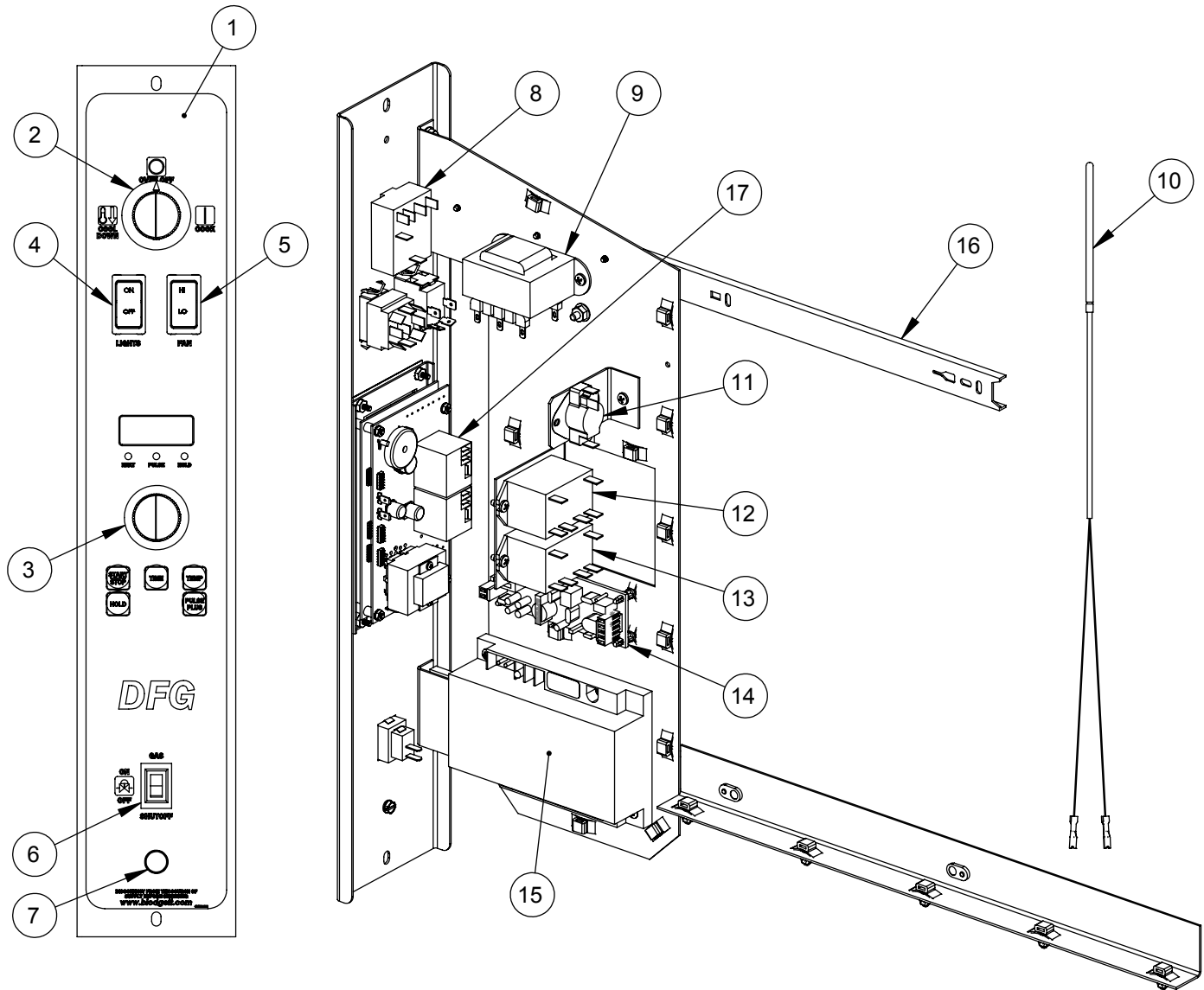
Ref. No.	Part No.	Description
8	16025	ROTARY SWITCH
9	20355	TRANSFORMER, 115 TO 24 V, 30VA
10	56873	PROBE, 1K RTD, 3/16" DIA.
11	36755	SWITCH, THERMAL SPDT
12	36603	RELAY, 120V
13	37058	RELAY, DPST 25A 24V
14	54607	POWER SUPPLY, 15W 12V
15	54388	CONTROL, IGNITION
16	57372	THERMOSTAT, 200-500F, 350 TDC
17	18225	TIMER, 60 MIN
18	20349	BUZZER 24V 50/60HZ
19	57701	SLIDE, BALL BEARING, 14"

P/N 57539 - SSI-D INFINITE CONTROL W/DIGITAL TIMER



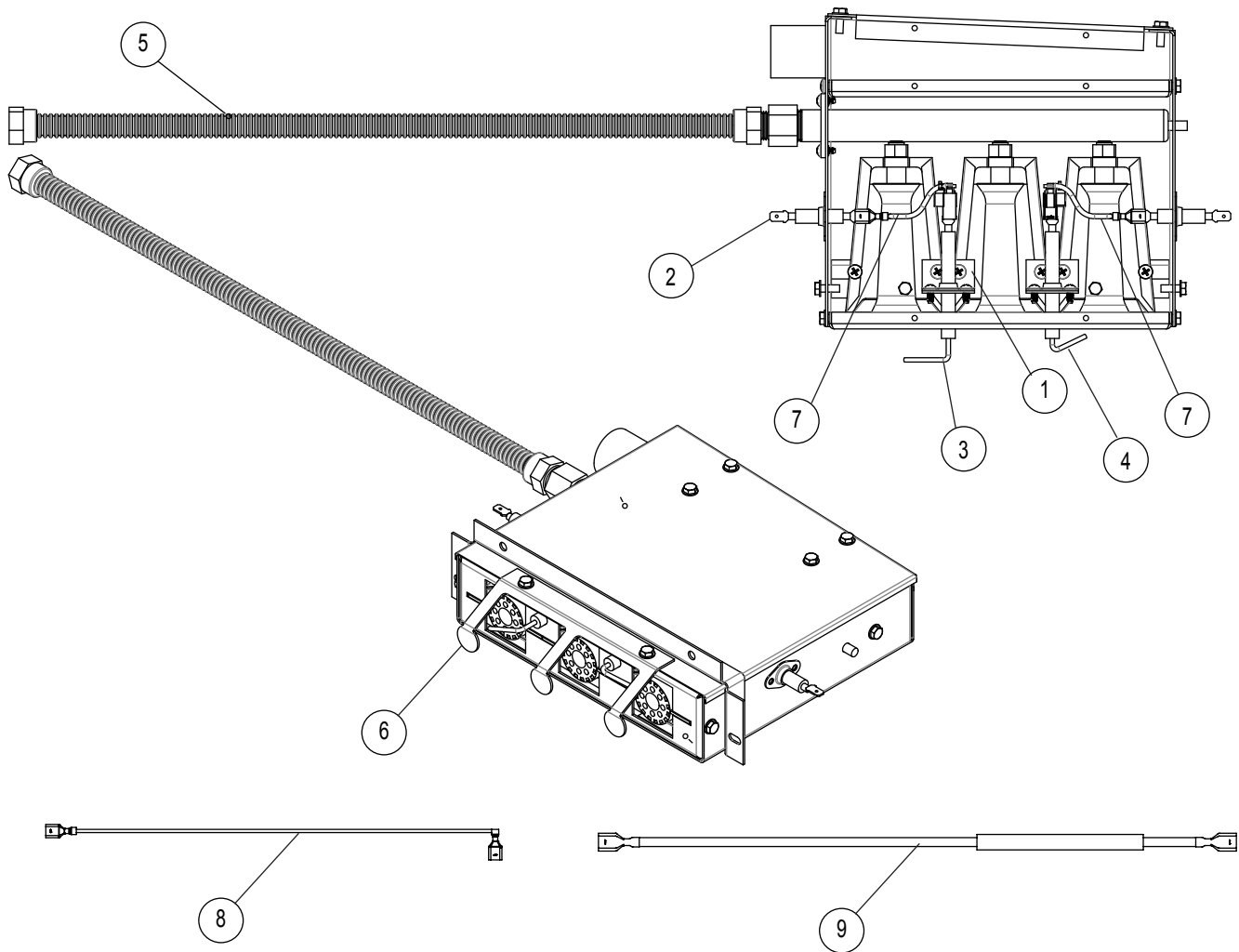
<u>Ref. No.</u>	<u>Part No.</u>	<u>Description</u>	<u>Ref. No.</u>	<u>Part No.</u>	<u>Description</u>
	57539	CONTROL MODULE, SSI-D, COMPLETE	10	20355	TRANSFORMER, 115 TO 24 V, 30VA
1	57919	PANEL AND DECAL	11	56873	PROBE, 1K RTD, 3/16" DIA.
2	36616	KNOB W/POINTER	12	36755	SWITCH, THERMAL SPDT
3	36617	KNOB W/O POINTER	13	36603	RELAY, 120V
4	6497	SWITCH, ROCKER, SPST	14	37058	RELAY, DPST 25A 24V
5	20530	SWITCH, ROCKER, 3PDT	15	54607	POWER SUPPLY, 15W 12V
6	18265	INDICATOR LIGHT	16	54388	CONTROL, IGNITION
7	36376	SWITCH, GAS ON/OFF	17	57561	CONTROL, SSI DIG TIMER RTD
8	57724	KNOB, CONTROL PULL	18	52668	PIEZO BEEPER
9	16025	ROTARY SWITCH	19	57701	SLIDE, BALL BEARING, 14"

P/N 57540 - SOLID STATE DIGITAL CONTROL



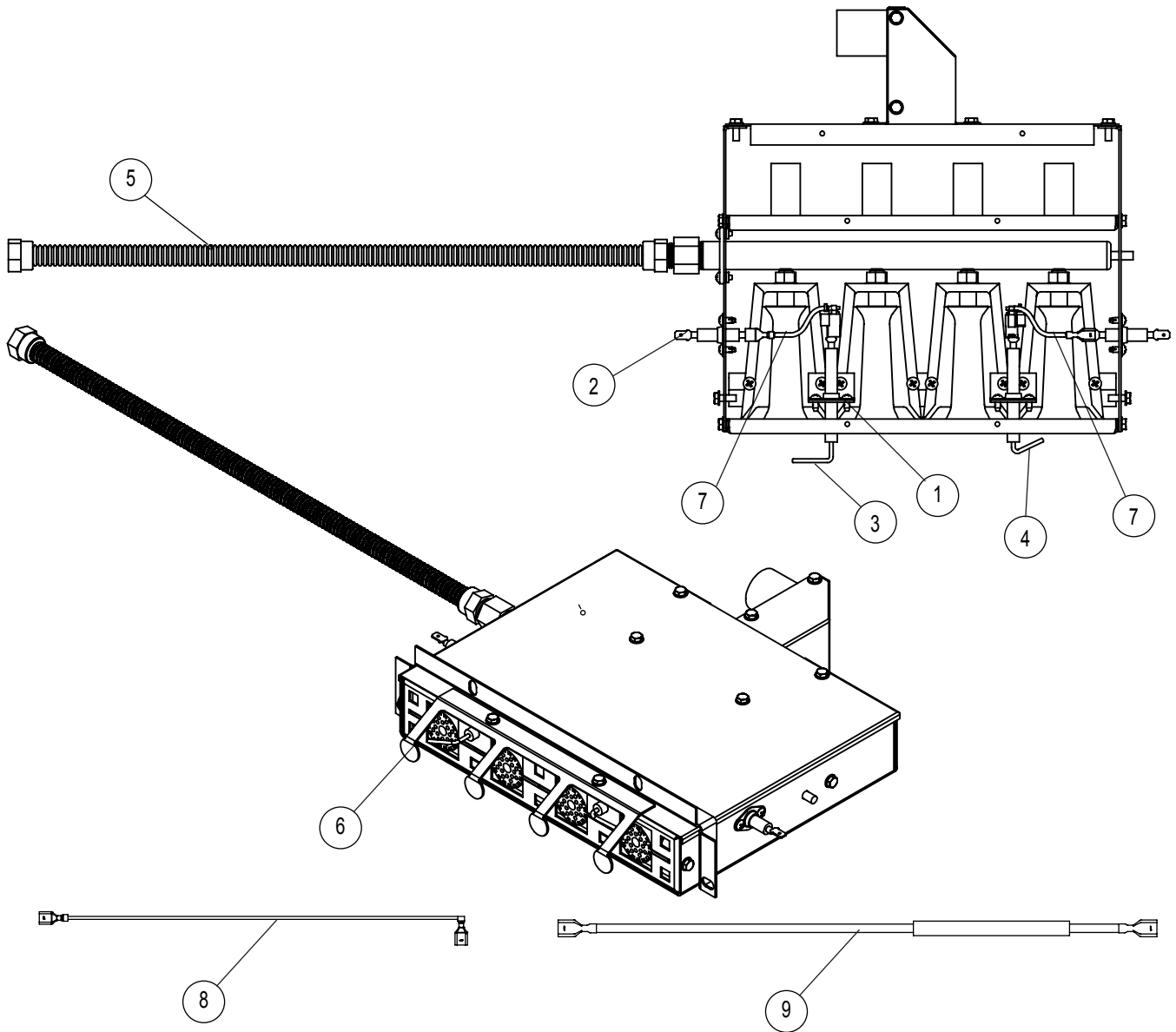
Ref. No.	Part No.	Description	Ref. No.	Part No.	Description
	57540	CONTROL MODULE, SSD, COMPLETE	9	20355	TRANSFORMER, 115 TO 24 V, 30VA
1	57917	PANEL AND DECAL	10	56873	PROBE, 1K RTD, 3/16" DIA.
2	36616	KNOB W/POINTER	11	36755	SWITCH, THERMAL SPDT
3	36617	KNOB W/O POINTER	12	36603	RELAY, 120V
4	6497	SWITCH, ROCKER, SPST	13	37058	RELAY, DPST 25A 24V
5	20530	SWITCH, ROCKER, 3PDT	14	54607	POWER SUPPLY, 15W 12V
6	36376	SWITCH, GAS ON/OFF	15	54388	CONTROL, IGNITION
7	57724	KNOB, CONTROL PULL	16	57701	SLIDE, BALL BEARING, 14"
8	16025	ROTARY SWITCH	17	58195	CONTROL, SOLID STATE DIGITAL

DFG-100-ES BURNER COMPONENTS



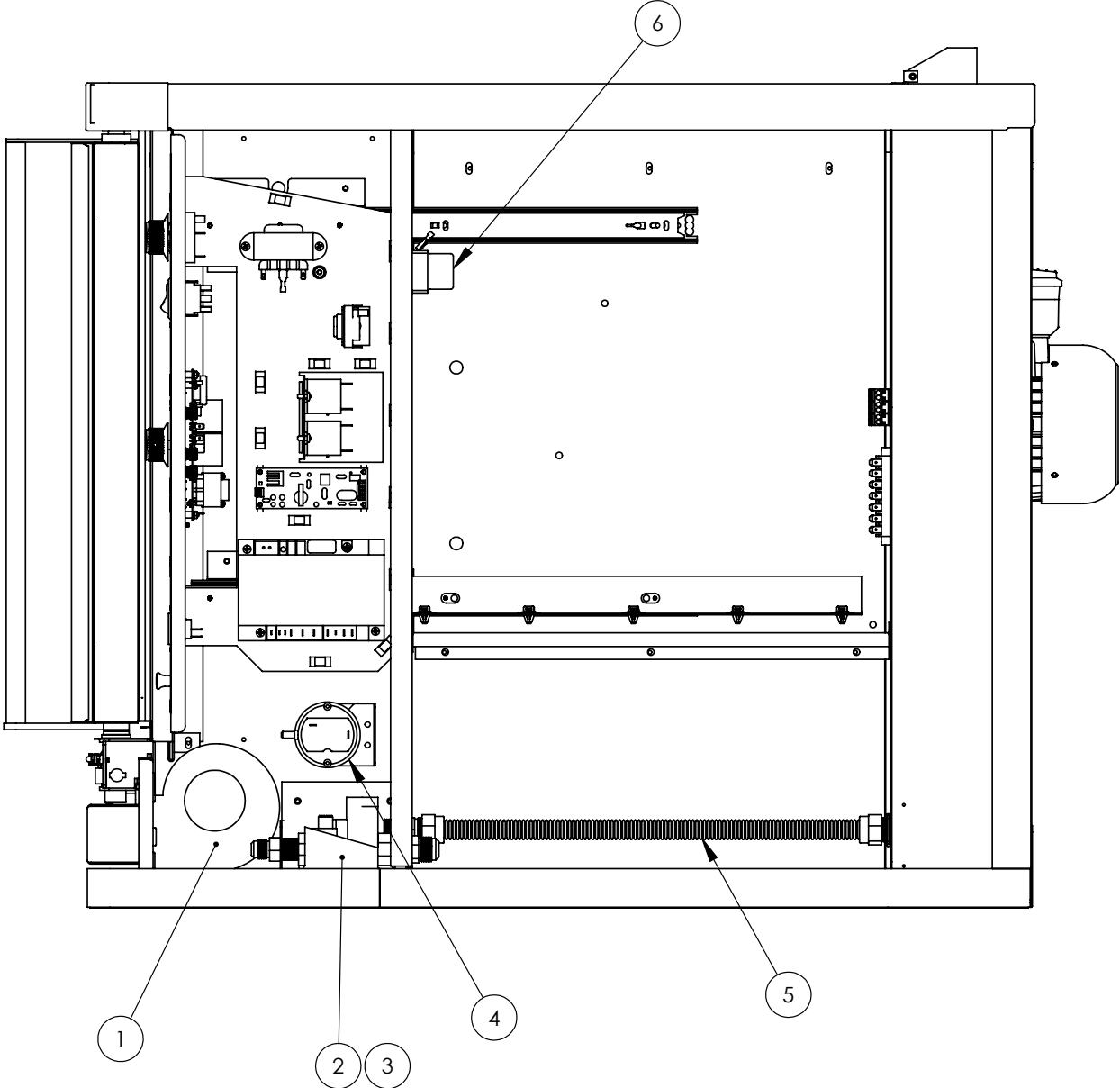
Ref. No.	Part No.	Description
	54908	BURNER ASSY., NATURAL GAS
	55032	BURNER ASSY., LP GAS
1	54911	ELECTRODE MOUNTING BRACKET
2	54327	BURNER WIRING CONNECTOR
3	54328	ELECTRODE, FLAME SENSE
4	54329	ELECTRODE, SPARK
5	54935	FLEX HOSE
6	54910	TURBULATOR
7	54885	WIRE ASSY, 2.5" ORANGE 20 AWG
8	19677	FLAME SENSE WIRE, 36" WHITE
9	58028	IGNITION WIRE
	57841	CONVERSION KIT, NATURAL TO LP
	58226	CONVERSION KIT, LP TO NATURAL

DFG-200-ES BURNER COMPONENTS



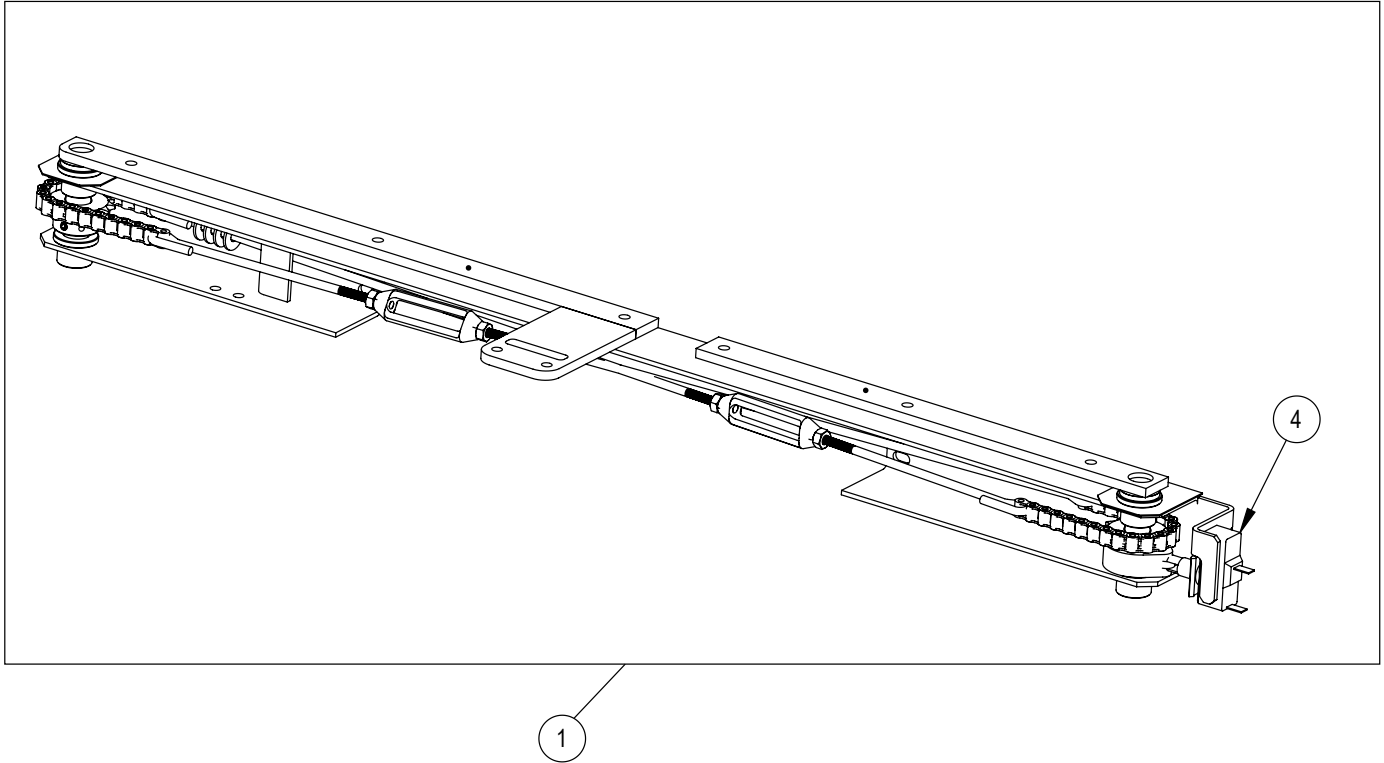
Ref. No.	Part No.	Description
	57804	BURNER ASSY., NATURAL GAS
	57898	BURNER ASSY., LP GAS
1	54911	ELECTRODE MOUNTING BRACKET
2	54327	BURNER WIRING CONNECTOR
3	54328	ELECTRODE, FLAME SENSE
4	54329	ELECTRODE, SPARK
5	54935	FLEX HOSE
6	57782	TURBULATOR
7	54885	WIRE ASSY, 2.5" ORANGE 20 AWG
8	19677	FLAME SENSE WIRE, 36" WHITE
9	58028	IGNITION WIRE
	58203	CONVERSION KIT, NATURAL TO LP
	58204	CONVERSION KIT, LP TO NATURAL

INTERIOR HEAT SYSTEM COMPONENTS



Ref. No.	Part No.	Description
1	54897	BLOWER, 12V DC
2	54938	GAS VALVE ASSY, NATURAL
3	54939	GAS VALVE ASSY, LP
4	54802	PRESSURE SWITCH
5	55070	FLEX TUBE FOR DFG-100-ES
5	36228	FLEX TUBE FOR DFG-200-ES
6	58025	THERMOSTAT, HIGH LIMIT
7	M9705	TUBING, PRESSURE SWITCH (BY THE INCH)

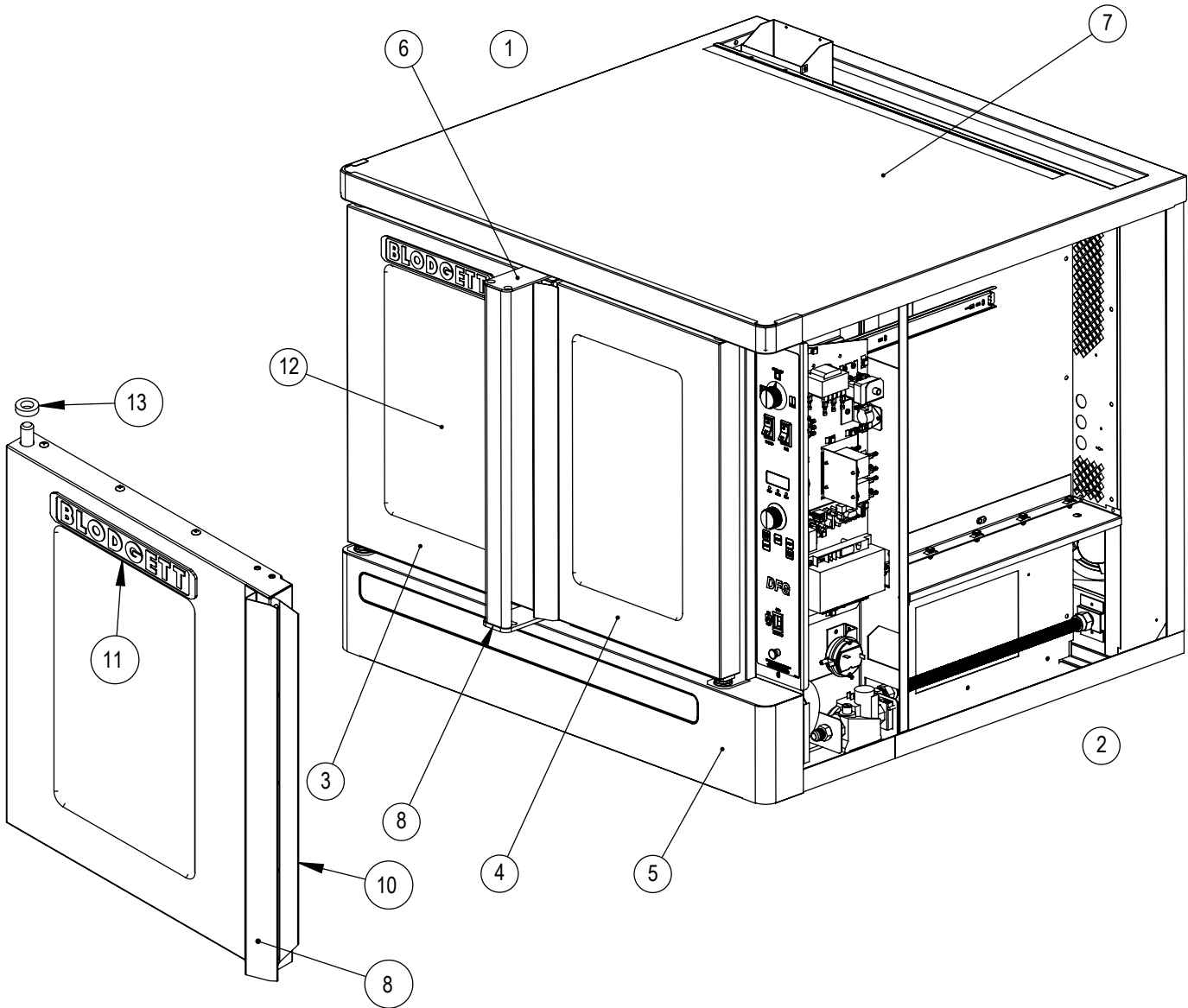
LOWER DOOR SUPPORT COMPONENTS



Ref. No.	Part No.	Description
1	36037	LOWER DOOR SUPPORT ASSY W/SWITCH
	NOTE:	Lower Door Support Assy includes the hinge pins, arms, chain & turnbuckles, sprocket assy, and cam assy.
4	35193	MICROSWITCH

EXTERIOR COMPONENTS & DOORS

DFG-100-ES SHOWN

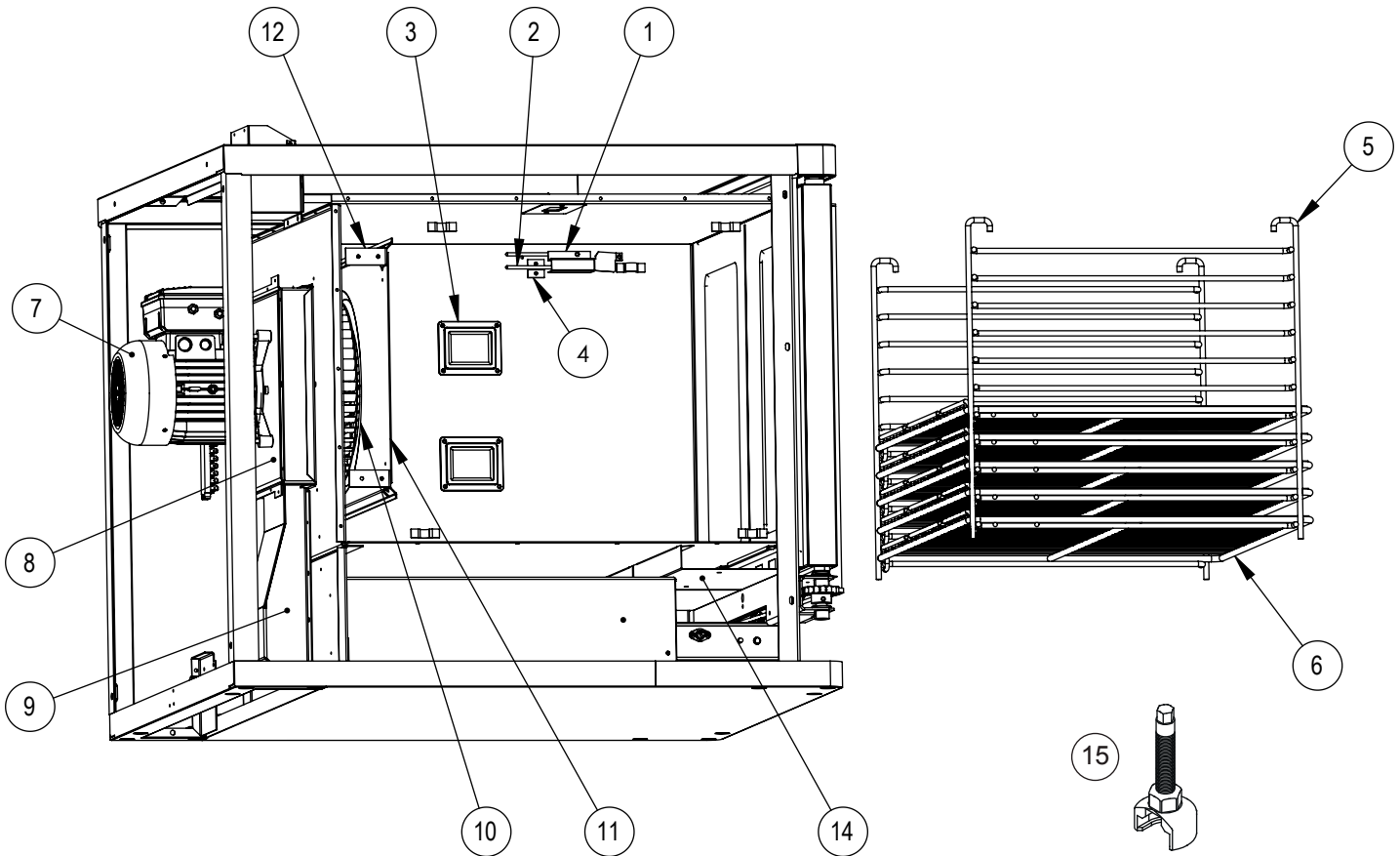


Ref. No.	Part No.	Description
1	37205	BODYSIDE, LH
2	36407	BODYSIDE, RH
3	20804	LEFT HAND GLASS DOOR
3	20806	LEFT HAND SOLID DOOR
4	20803	RIGHT HAND GLASS DOOR
4	20805	RIGHT HAND SOLID DOOR
5	58030	COMBUSTION COVER
6	18081	DOOR HANDLE TOP PLATE
7	36621	BODYTOP, DFG-100-ES
	38981	BODYTOP, DFG-200-ES
8	17558	DOOR HANDLE WITH HARDWARE

Ref. No.	Part No.	Description
9	36606	PRESSURE LOCK (ATTACHES TO SIDE OF DOOR)
10	17311	CENTER DOOR TRIM
11	16470	NAMEPLATE
12	9036	WINDOW ASSEMBLY, DROP IN (10-1/8 X 17-1/8)
	9035	WINDOW TOOL FOR INSTALLATION AND REMOVAL OF GLASS
	90004	BRONZE DOOR BEARINGS, SET OF 2
13	16657	BUSHING, DOOR SLEEVE, UPPER
	36876	PERIMETER DOOR GASKET

INTERIOR COMPONENTS

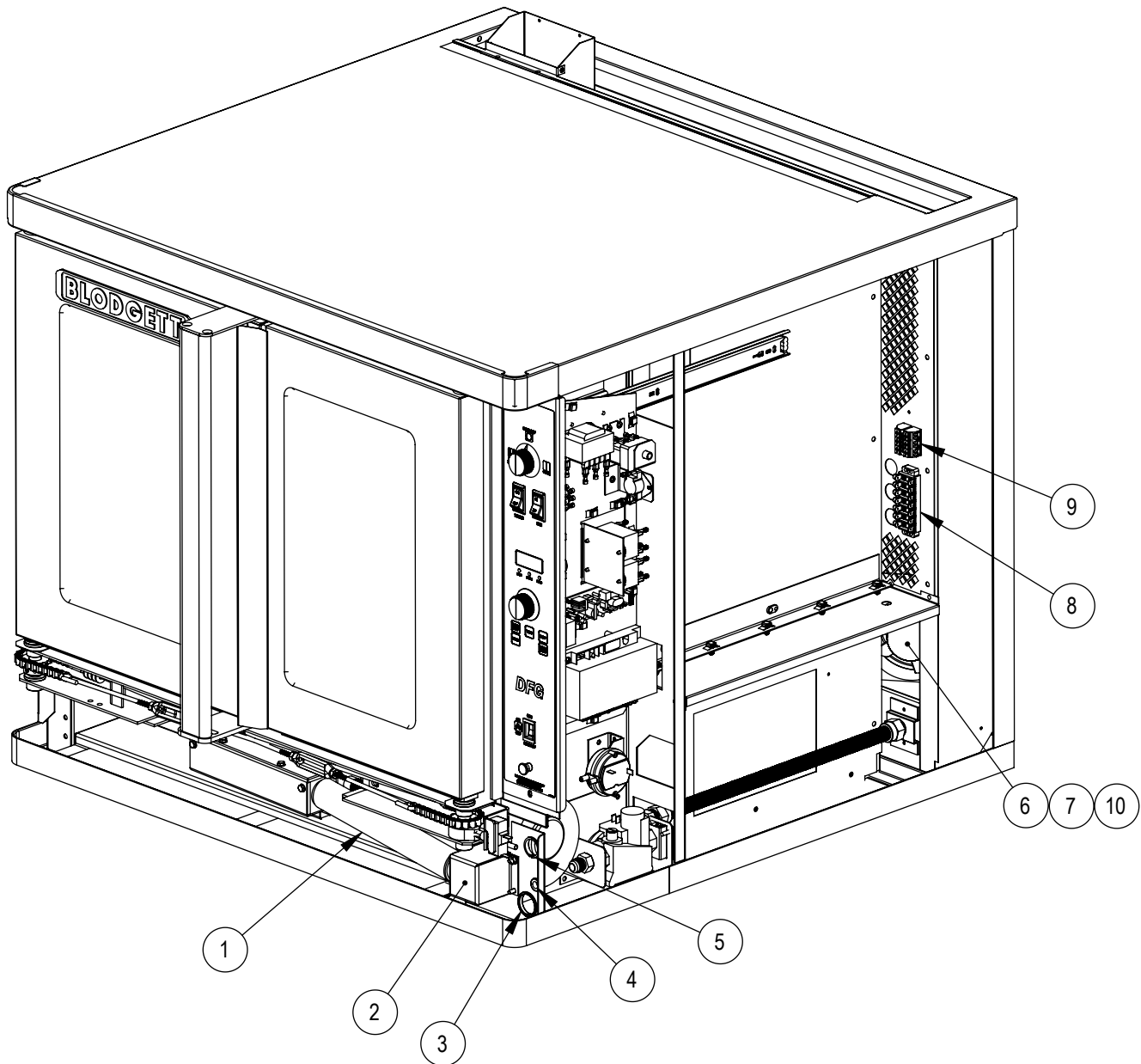
DFG-100-ES SHOWN



<u>Ref. No.</u>	<u>Part No.</u>	<u>Description</u>	<u>Ref. No.</u>	<u>Part No.</u>	<u>Description</u>
1	38673	TEMPERATURE PROBE GUARD	8	53771	MOTOR PANEL MOUNT, DFG-100-ES
2	56873	PROBE, 1K RTD		57770	MOTOR PANEL MOUNT, DFG-200-ES
3	55607	LIGHT, HALOGEN, 40W 120V	9	53817	BURNER BOX BACK, DFG-100-ES
4	33088	PROBE CLIP		55888	BURNER BOX BACK, DFG-200-ES
5	19081	RACK SUPPORT KIT (SET OF 2) DFG-100-ES	10	55346	BLOWER WHEEL
	21422	RACK SUPPORT KIT (SET OF 2) DFG-200-ES	11	51673	OVEN CAVITY BAFFLE
6	18768	OVEN RACKS QTY 5 PER OVEN DFG-100-ES	12	8646	BAFFLE SUPPORT KIT (SET OF 4)
	20246	OVEN RACKS QTY 5 PER OVEN DFG-200-ES	14	55213	INSULATION RETAINER, LINER BOTTOM DFG-100-ES
7	56966	MOTOR, 3/4 HP		57766	INSULATION RETAINER, LINER BOTTOM DFG-200-ES
			15	33147	WHEEL PULLER, USED TO REMOVE BLLOWER WHEEL

INTERIOR COMPONENTS

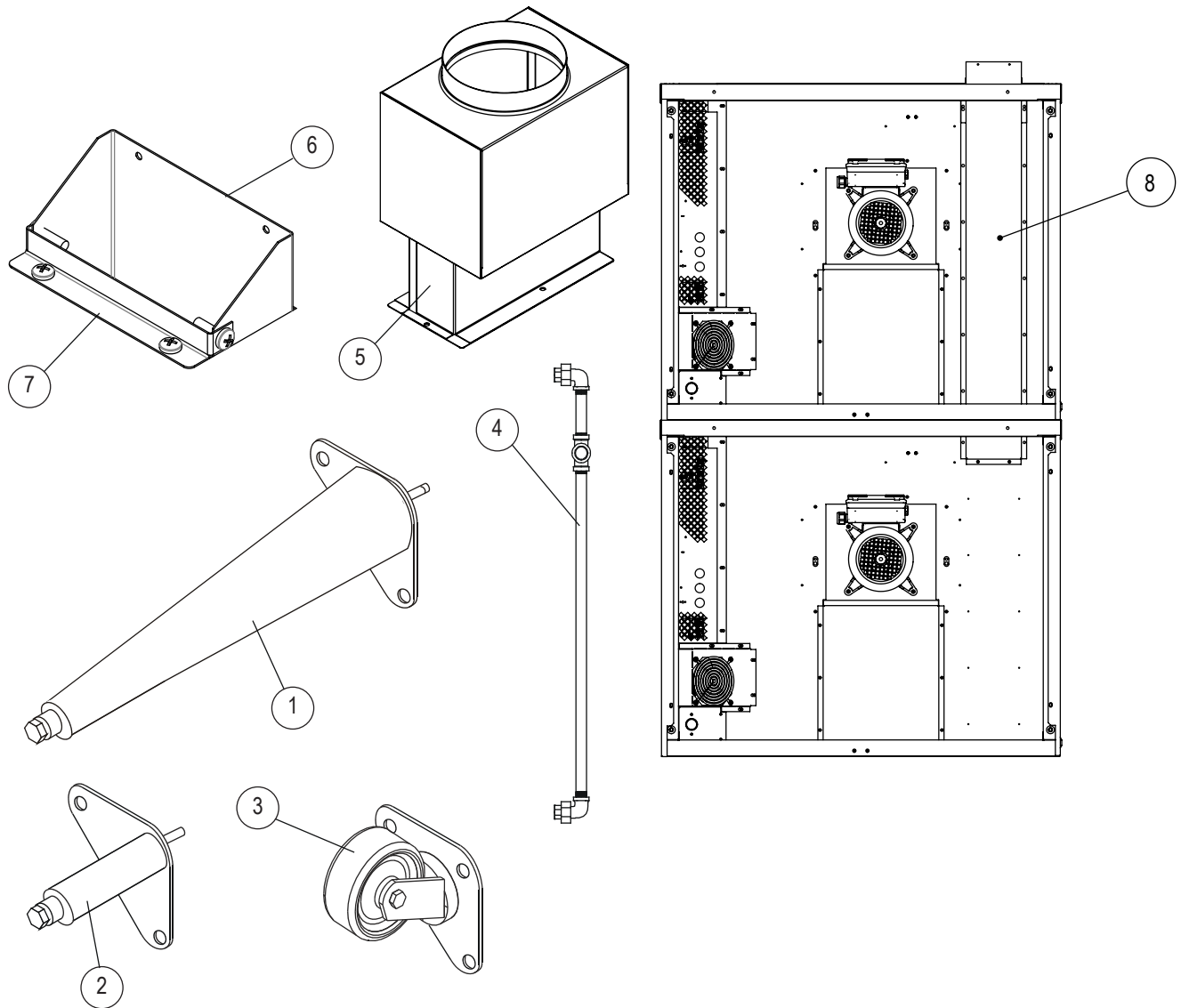
DFG-100-ES SHOWN



Ref. No.	Part No.	Description
1	39989	AIR TUBE (BY THE INCH)
2	54896	AIR BOX ASSEMBLY
3	55597	GROMMET, 1.125" I.D.
4	19086	GROMMET, .375" I.D.
5	19087	GROMMET, .875" I.D.
6	22301	COOLING FAN
7	39100	FAN HOUSING
8	39108	7 POSITION TERMINAL BLOCK
9	38605	3 POSITION TERMINAL BLOCK W/GROUND
10	M0571	FAN GUARD

ACCESSORIES

DFG-100-ES SHOWN



<u>Ref. No.</u>	<u>Part No.</u>	<u>Description</u>	<u>Ref. No.</u>	<u>Part No.</u>	<u>Description</u>
1	33196	SEISMIC LEGS, 6" SET OF 4	58013		VENTING KIT FOR SINGLE OVENS, DFG-100-ES
2	8598	LEGS, 25" W/FEET SET OF 4	58197		VENTING KIT FOR SINGLE OVENS, DFG-200-ES
3	8600	LEGS, 6" SET OF 4	58338		STACKING KIT, DFG-100-ES ON DFG-100, ZEPHAIRE-240G, ZEPHAIRE-100-G OR SHO-100G
	16002	CASTERS, FOR SGL OVEN	58339		STACKING KIT, DFG-100-ES ON DFG-100, ZEPHAIRE-G, ZEPHAIRE-200-G OR DFG-200
	5779	CASTERS, PLATE, FOR DBL OVEN	58340		STACKING KIT, DFG-200-ES ON DFG-100, ZEPHAIRE-240G, ZEPHAIRE-100-G OR SHO-100G
	19528	CASTERS, LOW PROFILE, FOR DOUBLE OVEN	58341		STACKING KIT, DFG-200-ES ON DFG-100, ZEPHAIRE-G, ZEPHAIRE-200-G OR DFG-200
4	35048	BACKPIPE, DBL			
5	58012	DRAFT HOOD ASSY			
6	57622	FLUE BOX, DFG-100-ES			
7	57238	FLUE BOX, DFG-200-ES			
	57646	FLUE BOX GUARD			
	57940	VENTING/STACKING KIT FOR DOUBLE STACK OVENS, DFG-100-ES			
	58196	VENTING/STACKING KIT FOR DOUBLE STACK OVENS, DFG-200-ES			