

WARING COMMERCIAL®

CSA Heavy Duty Chrome Blenders

BC900G

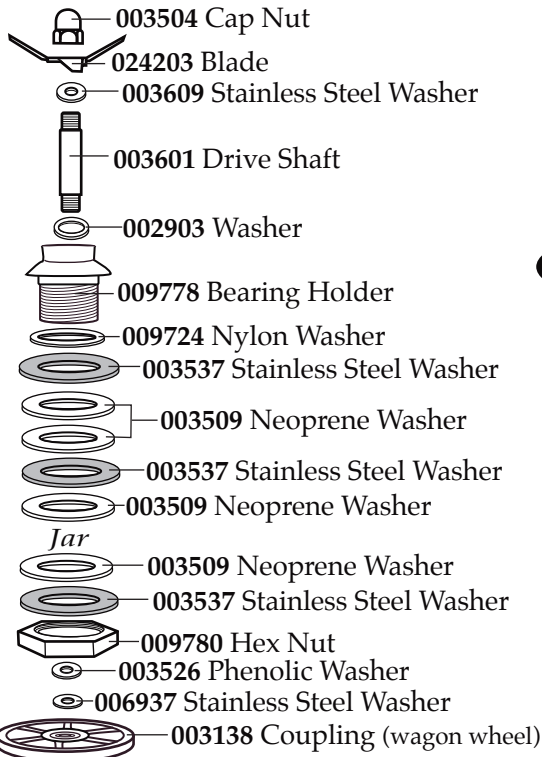
glass container

BC900P

plastic container

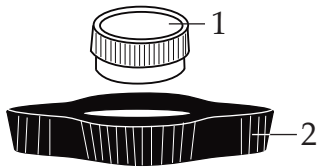
BC900S

stainless steel container



007314W

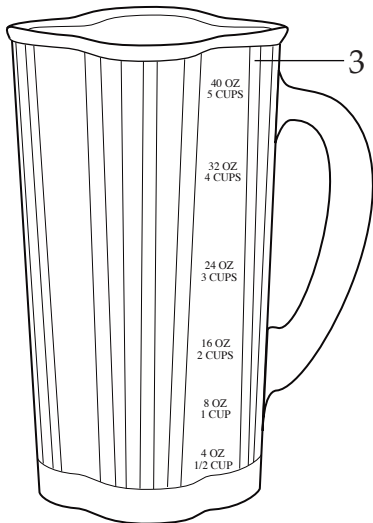
Blending Assembly



004315 2 Piece Lid



013304
NSF Label
BC900P



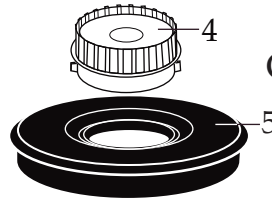
503418

Container with Blending Assembly
(on units after 5/7/2013)

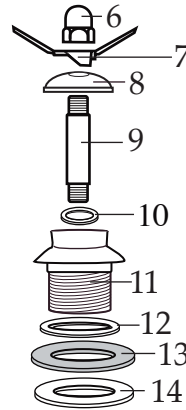
007314W (after market replacement)
Blending Assembly

500210

Container with 007314 Blending Assembly

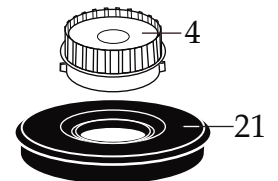


500664
2 Piece Lid

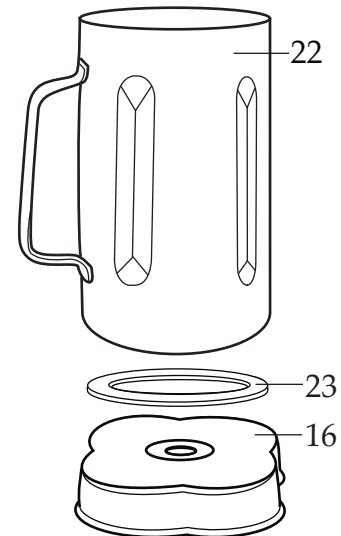


501427

Container with Blending Assembly



500665
2 Piece Lid
(center lid 011700)



007314W

Blending Assembly

500757

Container with Blending Assembly

500750

Container with Blending Assembly
and Lid



CSA Heavy Duty Chrome Blenders

BC900G

glass container

BC900P

plastic container

BC900S

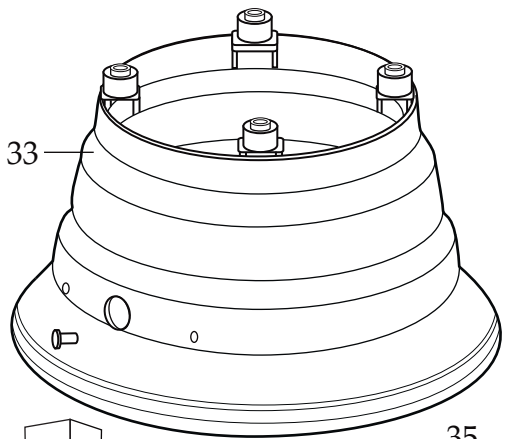
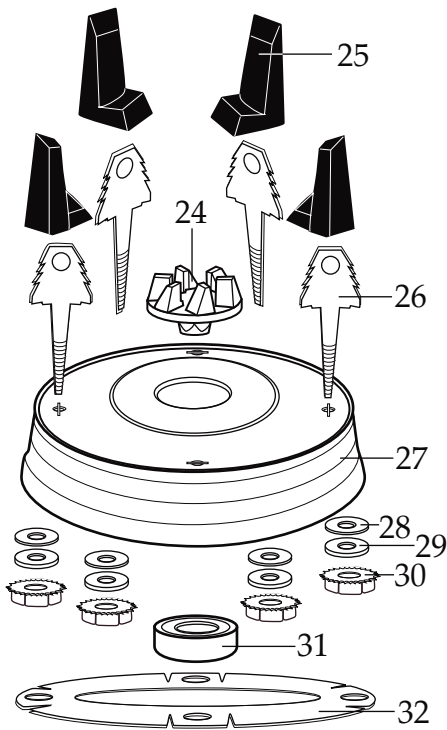
stainless steel container

Unit Information

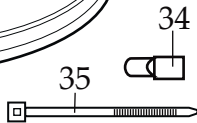
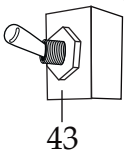
Limited 2 Year Warranty

5 Amps

6 Foot Cord



014899
Nameplate

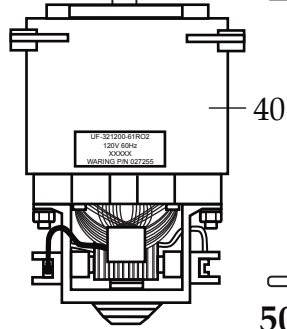


Date Code System On This Motor

1st Digit = Year
 2nd & 3rd Digit = Week of Year
 4th Digit = Day of Week (0=Sun; 6=Sat)

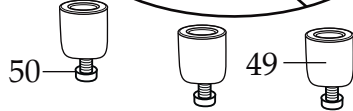
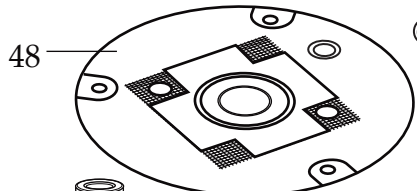
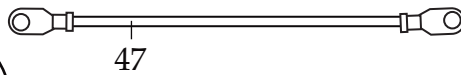
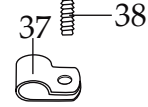
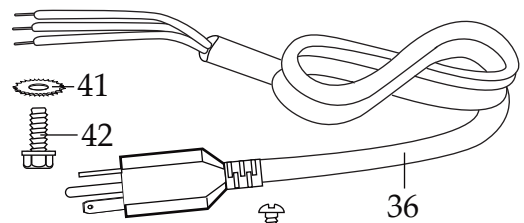
XXXX
 1999
 Week 20
 Friday

For Example: 9205
 9205 = May 14 1999



025628
Brush & Spring
(2 required)

502693 Fuse Assembly



Catalog**Model***(on units after 3/31/2010) (on units after 11/13/2000)*

BC900G	WF2111211	900C*	34BL58
BC900P	WF2111215	900C*	34BL58
BC900S	WF2111213	900C*	34BL58

Waring Factory Service Center
314 Ella T. Grasso Ave.
Torrington, CT 06790
Tele. 1-800-269-6640

COMMERCIAL
Fax 860-496-9017
www.waringcommercialproducts.com

Illustration #	Part #	Description
1	003146	Center Lid
2	003574-09	Clover Leaf Outer Lid <i>(changed on 8/15/2007)</i>
3	003573	40 oz. Glass Container
4	011700	Center Lid
5	013442	Outer Lid
6	003504	Cap Nut
7	024203	Blade
8	014846	Bearing Cap
9	003601	Shaft
10	002903	Rubber Washer
11	009778	Bearing Holder
12	009724	Nylon Washer
13	003537	Stainless Steel Washer (2 required)
14	003509	Neoprene Washer (2 required)
15	014549-E	48 oz. Eastman Container <i>(changed 8/5/2011)</i>
16	015055	Container Adapter
17	009780	Hex Nut
18	003526	Phenolic Washer
19	006937	Stainless Steel Washer
20	003138	Coupling
21	013443	Outer Lid
22	012860	32 oz. Stainless Steel Container
23	009762	Gasket
24	014009	Coupling
25	033058-09S	Jar Pad (4 pack <i>changed on 7/25/2013</i>)
26	007967	Jar Pad Stud (4 required)
27	017289	Plated Top Cover
28	012752	Seal (4 required)
29	012751	Spacer (4 required)
30	015165	Whizlock Nut (4 required)
31	018594	Housing Seal
32	003563	Baffle
33	014790-A-CHM	Bright Chrome Base <i>(changed 4/17/2012)</i>

Catalog

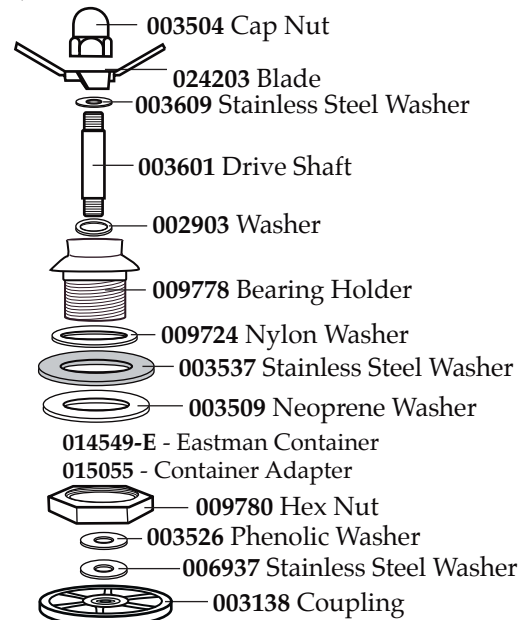
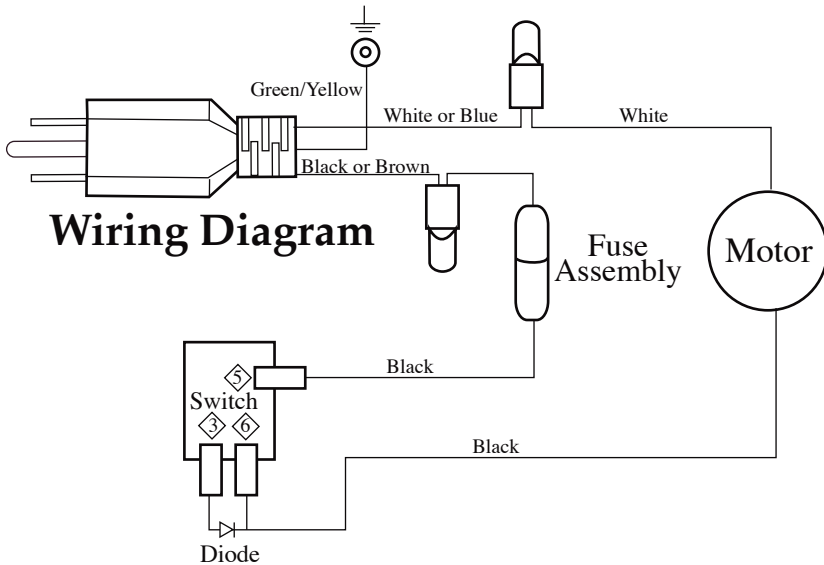
Model

	(on units after 3/31/2010)	(on units after 11/13/2000)	
BC900G	WF2111211	900C*	34BL58
BC900P	WF2111215	900C*	34BL58
BC900S	WF2111213	900C*	34BL58

Waring Factory Service Center
314 Ella T. Grasso Ave.
Torrington, CT 06790
Tele. 1-800-269-6640

COMMERCIAL
Fax 860-496-9017
www.waringcommercialproducts.com

Illustration #	Part #	Description
34	012409	Crimp Connector (2 required)
35	013731	Cable Tie
36	003565	Cord Set
37	014553	Cord Clamp
38	007558	Screw
39	012369	Keyp Nut
40	027255	Motor (changed 10/26/2004)
41	002943	Ground Washer
42	027278 013659	Ground Screw (on units after 4/17/2012) Ground Screw
43	029355 012698	Switch (on units after 7/29/2003) Switch
44	012703	Switch Seal (boot)
45	025446	Fuse
46	019622	Fuse Holder
47	501044	Green Lead Assembly
48	502747	Bottom Plate Assembly (No Longer Available)
49	503376 002891	Screw & Foot Assembly (3 required on units after 6/28/2010) Foot (3 required)
50	003569	Screw (used with 002891 feet No Longer Available)
51	003532	Rivet (2 required)



501114
Container with Blending Assembly
(on BC900P units before 8/3/2011)