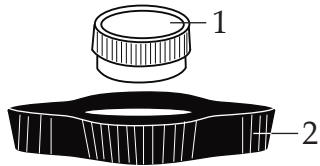


**007314W**

Blending Assembly

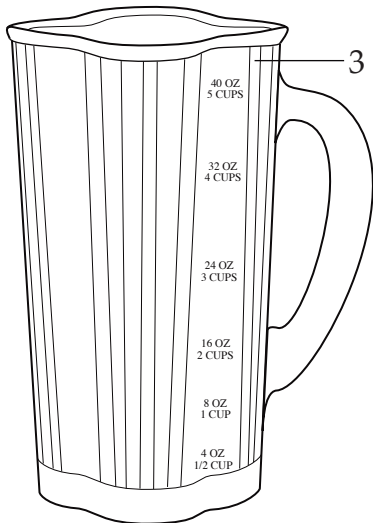


**004315** 2 Piece Lid



**013304**

NSF Label  
BB900M & BB900P



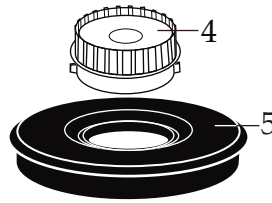
**503418**

Container with Blending Assembly  
(on units after 5/7/2013)

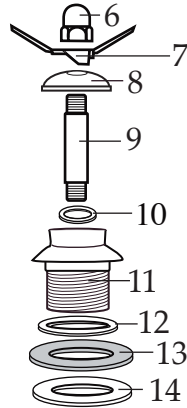
**007314W** (after market replacement)  
Blending Assembly

**500210**

Container with 007314 Blending Assembly

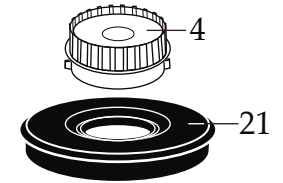
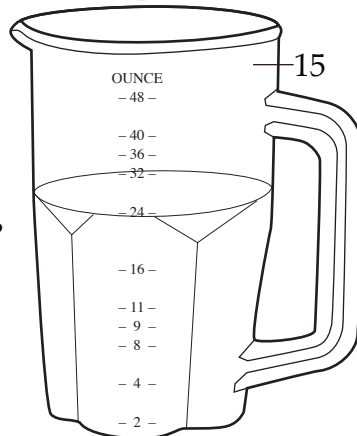


**500664**  
2 Piece Lid

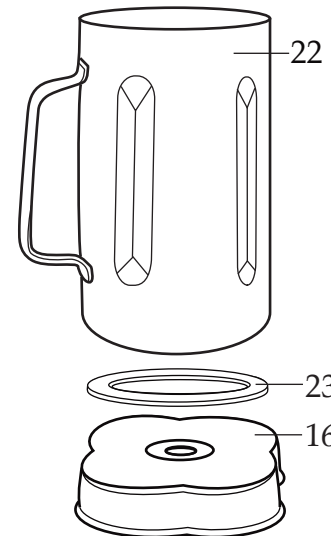


**501427**

Container with Blending Assembly



**500665**  
2 Piece Lid  
(center lid 011700)



**007314W**

Blending Assembly

**500757**

Container with Blending Assembly

**500750**

Container with Blending Assembly  
and Lid

**WARING**  
**COMMERCIAL**

Heavy Duty Chrome Blenders

**BB900G**  
glass container

**BB900P**  
plastic container

**BB900S**  
stainless steel container

*Marked for Deletion*

**BB900M** (on 10/13/2003)  
BB900P with Boku nameplate

# WARING COMMERCIAL

Heavy Duty Chrome Blenders

**BB900G**

glass container

**BB900P**

plastic container

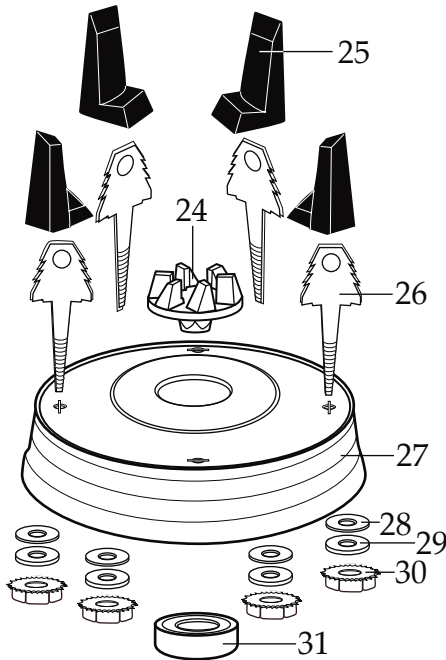
**BB900S**

stainless steel container

*Marked for Deletion*

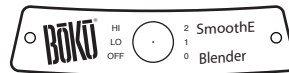
**BB900M** (on 10/13/2003)

BB900P with Boku nameplate

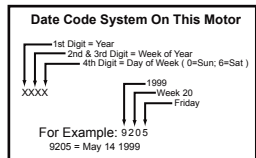
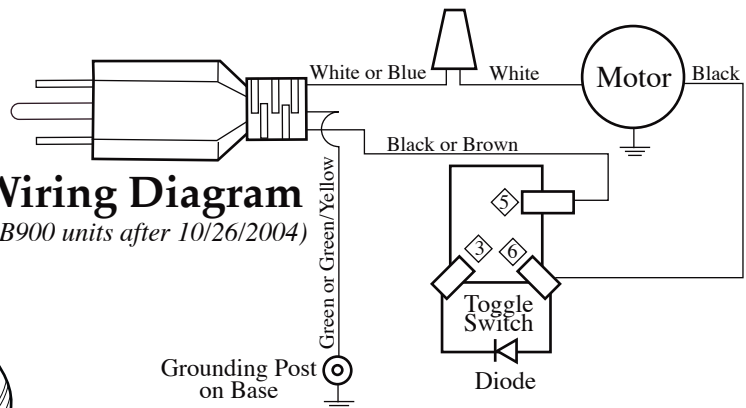
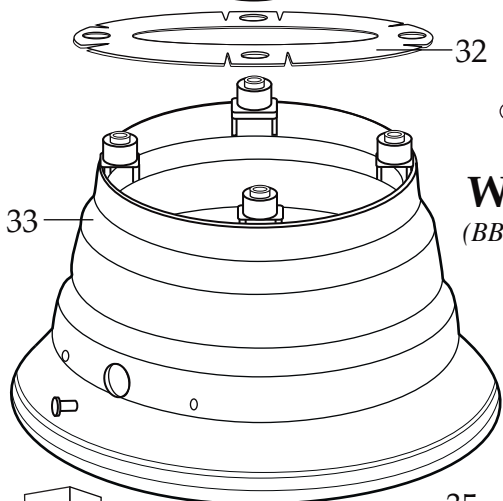


**014899**  
Nameplate

(ALL units except BB900M)



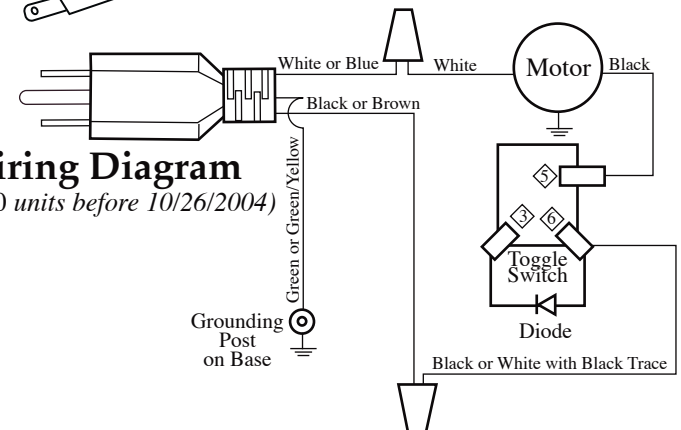
**023768**  
Nameplate  
(BB900M)



**025628**  
Brush & Spring  
(2 required)

**Wiring Diagram**

(BB900 units before 10/26/2004)



**Catalog****Model***(on units after 3/31/2010) (on units after 2/1/1999)*

<b>BB900G</b>	WF2111211	51BL20	33BL78
<b>BB900P</b>	WF2111215	51BL21	34BL62
<b>BB900S</b>	WF2111213	51BL20	33BL78
<b>BB900M</b>	<i>Unit Marked for Deletion</i>		39BL55

**Waring Factory Service Center**  
**314 Ella T. Grasso Ave.**  
**Torrington, CT 06790**  
**Tele. 1-800-269-6640**

**Fax 860-496-9017**  
**www.waringcommercialproducts.com**

<b>Illustration #</b>	<b>Part #</b>	<b>Description</b>
1	003146	Center Lid
2	003574-09	Clover Leaf Outer Lid <i>(changed on 8/15/2007)</i>
3	003573	40 oz. Glass Container
4	011700	Center Lid
5	013442	Outer Lid
6	003504	Cap Nut
7	024203	Blade
8	014846	Bearing Cap
9	003601	Shaft
10	002903	Rubber Washer
11	009778	Bearing Holder
12	009724	Nylon Washer
13	003537	Stainless Steel Washer (2 required)
14	003509	Neoprene Washer (2 required)
15	014549-E	48 oz. Eastman Container <i>(changed 8/5/2011)</i>
16	015055	Container Adapter
17	009780	Hex Nut
18	003526	Phenolic Washer
19	006937	Stainless Steel Washer
20	003138	Coupling
21	013443	Outer Lid
22	012860	32 oz. Stainless Steel Container
23	009762	Gasket
24	014009	Coupling
25	033058-09S	Jar Pad (4 pack <i>changed on 7/25/2013</i> )
26	007967	Jar Pad Stud (4 required)
27	017289	Plated Top Cover
28	012752	Seal (4 required)
29	012751	Spacer (4 required)
30	015165	Whizlock Nut (4 required)
31	018594	Housing Seal
32	003563	Baffle

# Catalog

# Model

(on units after 3/31/2010) (on units after 2/1/1999)



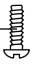
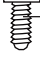

<b>BB900G</b>	WF2111211	51BL20	33BL78
<b>BB900P</b>	WF2111215	51BL21	34BL62
<b>BB900S</b>	WF2111213	51BL20	33BL78
<b>BB900M</b>	Unit Marked for Deletion		39BL55


**Waring Factory Service Center**  
**314 Ella T. Grasso Ave.**  
**Torrington, CT 06790**  
**Tele. 1-800-269-6640**

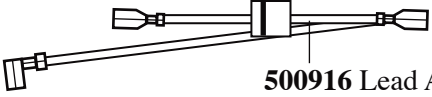
**Fax 860-496-9017**  
**www.waringcommercialproducts.com**

Illustration #	Part #	Description
33	014790-A-CHM	Bright Chrome Base <i>(changed 4/17/2012)</i>
34	009051	Wire Nut (1 required <i>on units after 10/26/2004</i> ) - (2 required)
35	013731	Cable Tie
36	501162	Cord Set <i>(on units after 6/25/2008)</i>
	003565	Cord Set <i>(on units after 9/4/2002)</i>
	500830	Cord Set
37	013680	Strain Relief <i>(on units after 8/4/2008)</i>
	016041	Strain Relief <i>(on units after 8/15/2002)</i>
38	027255	Motor <i>(changed 10/26/2004)</i>
39	002943	Ground Washer
40	027278	Ground Screw <i>(on units after 4/17/2012)</i>
	013659	Ground Screw
41	029355	Switch <i>(on units after 7/29/2003)</i>
	012698	Switch
42	012703	Switch Seal (boot)
43	027790	Metal Bottom Plate ONLY <i>(on units after 8/4/2008)</i>
	503011	Metal Bottom Plate Assembly with Cord Set <i>(on units after 8/4/2008)</i>
	502974	Plastic Bottom Plate Assembly with Cord Set <i>(on BB900G &amp; P after 8/5/2004)</i> <i>(on BB900S after 4/1/2005)</i>
	502776	Plastic Bottom Plate Assembly with Cord Set <i>(on units after 2/10/2003)</i>
	026151	Plastic Bottom Plate ONLY
44	503376	Screw & Foot Assembly (3 required <i>on units after 6/28/2010</i> )
	002891	Foot (3 required for metal bottom plates)
	024645	Foot (3 required plastic bottom plates)
45	003569	Screw (used with 002891 feet No Longer Available)
	013659	Screw (3 required plastic bottom plates)
46	003532	Rivet (2 required)

## Parts No Longer Used

<p>002957 - Hex Nut   <i>(BB900P units before 2/14/2003 &amp; All BB900M)</i></p> <p>014553 - Cable Clamp   <i>(BB900P units before 2/14/2003 &amp; All BB900M)</i></p> <p>007558 - Screw   <i>(BB900P units before 2/14/2003 &amp; All BB900M)</i></p>	<p> 002962 - Clamp Screw  <i>(BB900G &amp; S units before 2/14/2003)</i></p> <p> 016410 - Clamp Stain Relief  <i>(BB900G &amp; S units before 2/14/2003)</i></p>
--	--

 016211 - Foot Plug  
 (3 required for BB900M & BB900P units before 2/14/2003)

 **500916** Lead Assembly with 003262-Diode *(on units after 10/26/2004)*  
**502874** Lead Assembly with 003262-Diode *(for BB900M)*