

### Unit Information

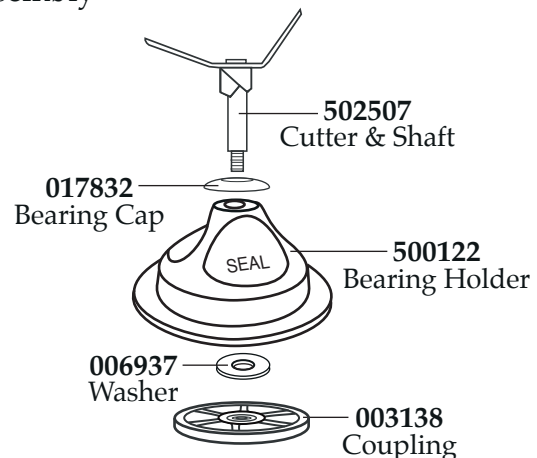
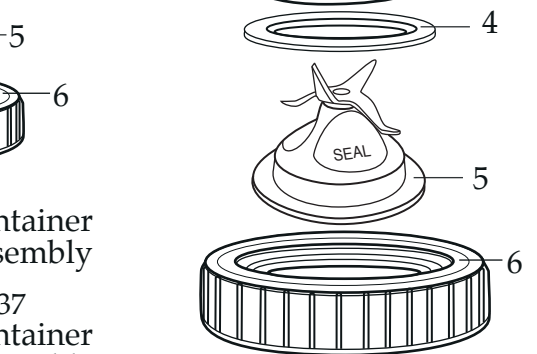
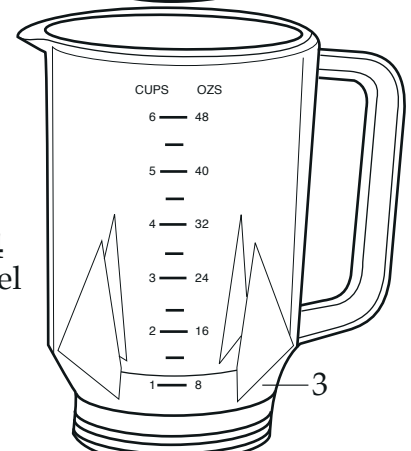
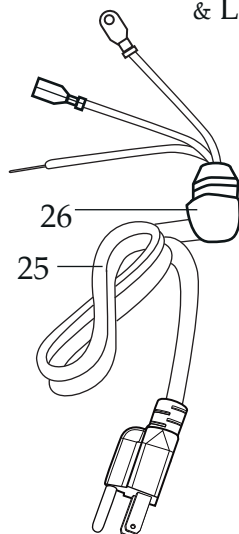
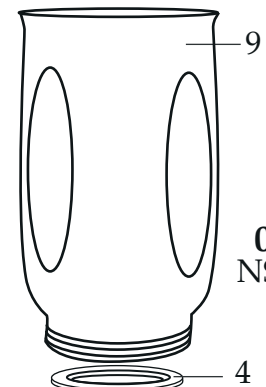
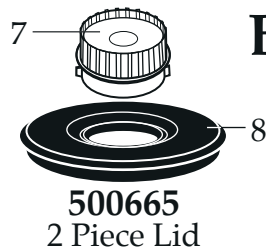
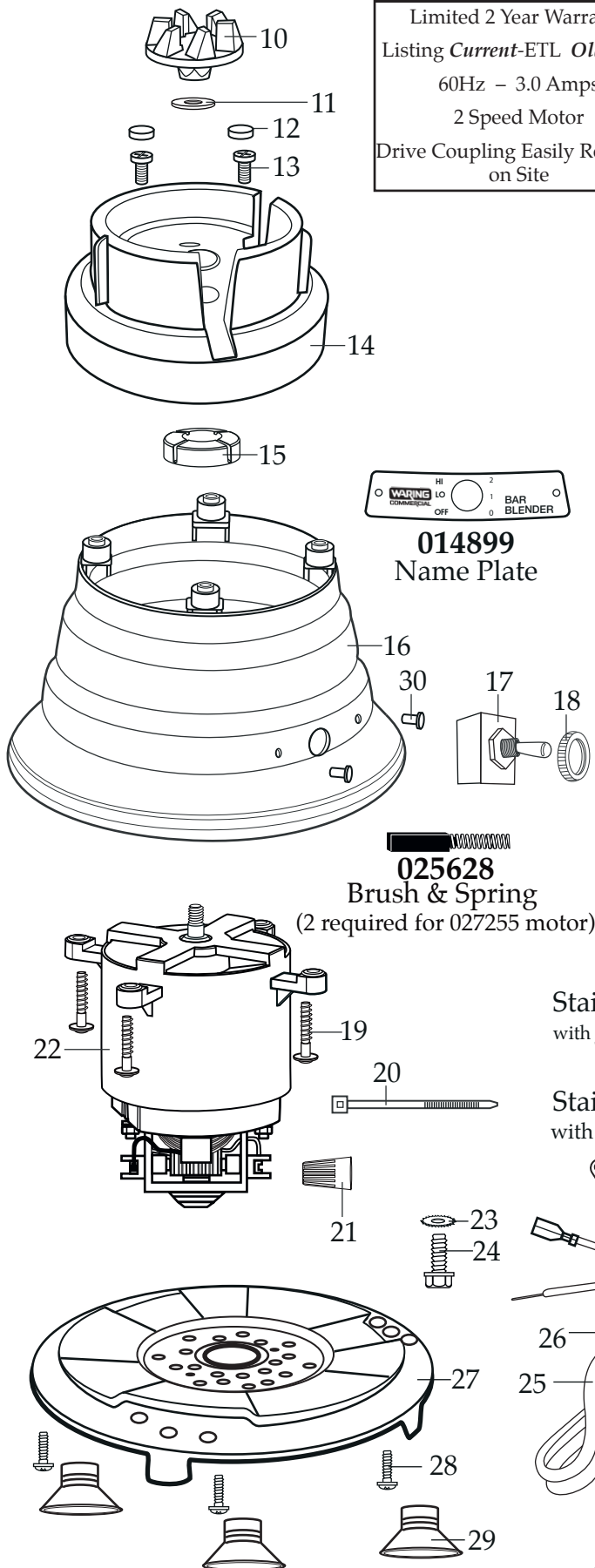
Limited 2 Year Warranty  
 Listing *Current-ETL Older-UL*  
 60Hz - 3.0 Amps  
 2 Speed Motor  
 Drive Coupling Easily Replaced  
 on Site

# WARING COMMERCIAL®

Bar Blenders with Chrome Base

**BB160** / Eastman container

**BB160S** / stainless steel container



**502508** Blending Assembly  
(parts that can be purchased separately)

**Catalog****Model**

BB160 WF1112217 51BL35 39BL67  
 BB160S WF1112219 (on units after 12/19/2002)  
 (on units after 10/20/2009)



<b>Illustration#</b>	<b>Part#</b>	<b>Description</b>
1	018534	Lid Insert
2	024367-09	Black Outer Lid (changed after 12/14/2009)
3	018531-E	48 oz. Eastman Container (changed after 12/14/2009)
4	006890	Gasket
5	502508	Blending Assembly
6	015388-09	Black Jar Bottom (changed after 2/9/2006)
7	011700	Center Lid
8	013443	1 Qt. Outer Lid
9	024661	32 oz. Stainless Steel Container (changed after 7/23/2001)
10	014009	Coupling
11	003609	Washer (on units after 6/5/2008)
12	016094	Hole Plug (2 required)
13	013768	Screw (2 required on units after 6/5/2008)
14	017381-09-R	Black Jar Adapter (changed after 12/14/2009)
15	030171 018605	Housing Seal (on units after 6/6/2008) Housing Seal
16	014790- B-CHM 030217 016313	Chrome Base (on BB160 units after 3/15/2012) (on BB160S units after 1/13/2011) Chrome Base (on units after 6/6/2008) Chrome Base
17	029355 026800 012698	Switch (on units after 6/6/2008) Switch (use 029355 on units after 5/18/2004) Switch
18	016236 015098	Hex Nut (on units after 12/14/2009) Nut Ring
19	030170 024595 001832 015383	Shoulder Screw & Washer (4 required on units after 6/6/2008) Screw & Washer (4 required on units after 7/19/2000) Screw (4 required) Washer (4 required used with 001832 screw)
20	013731	Cable Tie (2 required)
21	009051	Wire Nut
22	027255 024488	Motor (zinc cast – ETL listing on units after 6/5/2008) Motor (sheet metal – UL listing Obsolete)
23	002943	Lock Washer
24	027278 013659	Ground Screw (on units after 12/14/2009) Screw
25	501162	Cord Set

**Catalog**

BB160 WF1112217  
 BB160S WF1112219 (on units after 12/19/2002)  
 (on units after 10/20/2009)

**Model**

51BL35 39BL67

**Waring Factory Service Center**  
 314 Ella T. Grasso Ave.  
 Torrington, CT 06790  
 Tele. 1-800-269-6640  
 Fax 860-496-9017  
 www.waringcommercialproducts.com

Illustration#	Part#	Description
26	016041	Strain Relief
27	024055-R 502601	Bottom Plate ONLY (changed after 2/17/2010) Bottom Plate Assembly with Cord
28	013659	Screw (3 required)
29	026278	Suction Cup Foot (3 required changed after 2/27/2006)
30	003532	Rivet (2 required)

