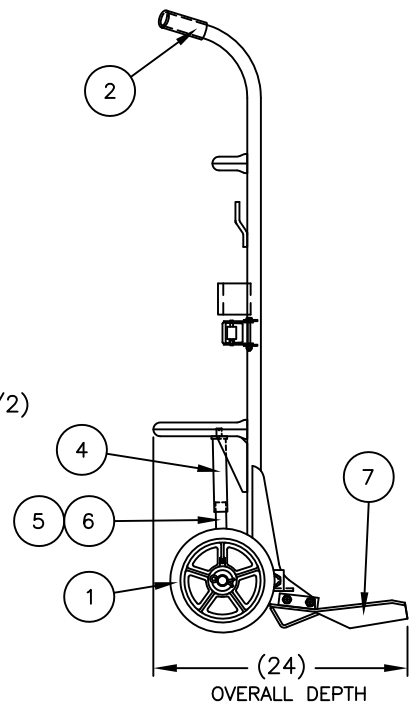
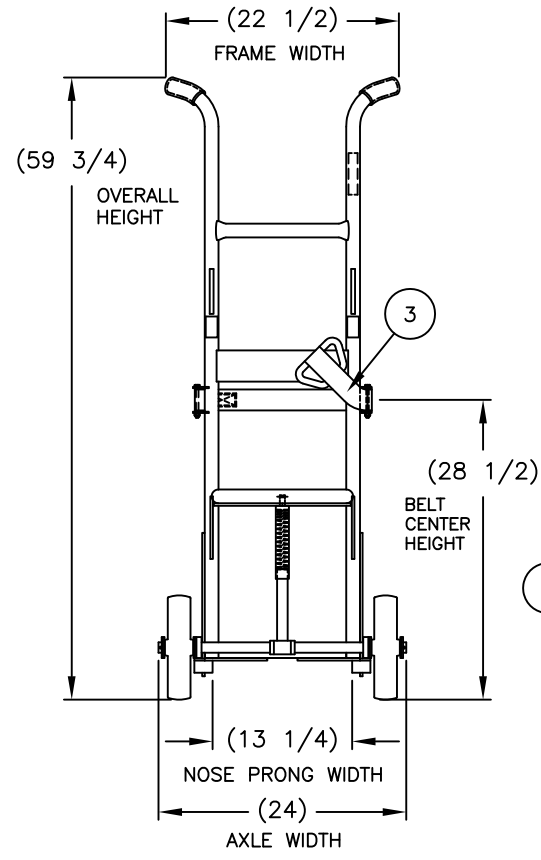


P/N 240081
 Model: 40BT
 Capacity: 1,000 lbs
 Weight: 82 lbs
 Wheel: 10" x 2-1/2"
 Moldon Rubber

REPLACEMENT PARTS LIST

1	150596	WHEEL: "BT-1" 10 X 2.5"	2
	108208	WASHER: FLAT 1" SAE	4
	108218	COTTER PIN 3/16 X 1.5"	2
2	108433	HANDGRIP: YELLOW 1-1/4"	2
3	150303	STRAP: W/HANDLE, ASS'Y	1
	108900	SCR: HEX HD 1/4-20 x 3	2
	108929	NUT: LOCK 1/4-20	2
4	051346	UPPER SPRING HOUSING	1
5	051347	ASS'Y: FLOATING AXLE	1
6	051356	SET: HARDWARE, AXLE	1
7	240115	SET: NOSE PAD	1
8	-	BOX	



DRUM TRUCK Features:

- Industrial strength heavy duty 1" structural pipe frames.
- All joints double welded.
- High quality cast iron center moldon rubber wheel with 1" (ID) roller bearings.
- Polyolefin wheel is cost competitive and resistant to most environments that may damage rubber wheels.
- All trucks can be stored standing upright.
- Engineered to handle 55 gallon steel drum.
- capacity: 1,000 lbs.

40BT/40BTW Features:

- Handles all poly and fiber drums except overpacks (use 45BT)
- Replaceable "feet" and belt.
- Floating axle reduces effort required to break over and balance load.
- 24" depth
- With wheels resting on floor, 28.5" center of belt.

PRINT ISSUED

NOV. 10, 2006

WESCO MANUFACTURING
 ENGINEERING DEPARTMENT

R W S
 10-22-12
 UPDATED
 E
 REV.

WESCO INDUSTRIAL PRODUCTS INC.		NORTH WALES PENNA. 19454	
PART NAME		DRAWN: LDU 8-9-00	
40BT		CHECKED:	
DRUM TRUCKS		APP. ENGR.	
TOLERANCE UNLESS OTHERWISE SPECIFIED			
FRACTION		3 PLACE DECIMAL 2 PLACE DECIMAL	
± 1/64 ± .005 ± .01		SCALE: 1" = 12"	
ANGULAR ± 1-1/2'		SHEET 1 OF 1	
BREAK ALL SHARP EDGES AND REMOVE ALL BURRS			
B- 240081		REV	E