

WARING COMMERCIAL

Medium Duty Bar Blender
with Electronic Keypad and
99 Second Countdown Timer
plus a 48 oz. Copolyester Container

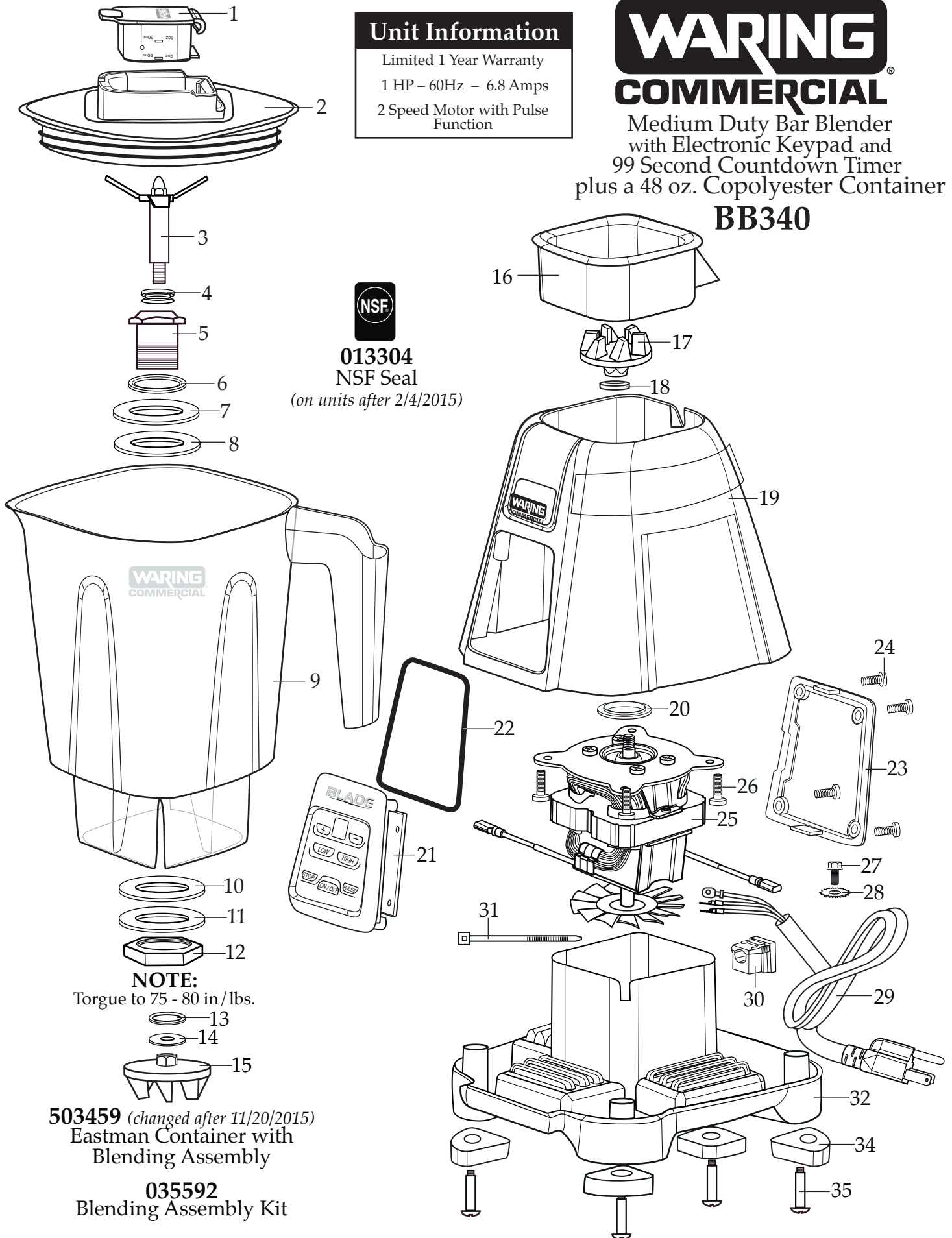
BB340

Unit Information

Limited 1 Year Warranty
1 HP - 60Hz - 6.8 Amps
2 Speed Motor with Pulse
Function



013304
NSF Seal
(on units after 2/4/2015)



NOTE:
Torque to 75 - 80 in/lbs.

503459 (changed after 11/20/2015)
Eastman Container with
Blending Assembly

035592
Blending Assembly Kit

Illustration #	Part #	Description
1	035153 026282-E	Jar Cover Lid <i>(on units after 4/15/2016)</i> Eastman Cover Lid
2	033625-V	Vinyl Jar Cover
3	503444	Blade Assembly
4	027716	V Seal
5	503458	Bearing Holder / Seal Assembly <i>(changed 11/20/2015)</i>
6	009724	Nylon Flat Washer
7	003537	Stainless Steel Washer
8	003509	Neoprene Washer (rubber)
9	033626	48 oz. BPA Free Copolyester Container
10	003509	Neoprene Washer (rubber)
11	003537	Stainless Steel Washer
12	034156	Bearing Holder Nut
13	003526	Phenolic Washer
14	035048	Flat Stainless Steel Washer
15	032453	Coupling
16	033623	Jar Pad
17	032453	Coupling
18	026413	Stainless Steel Cap Washer
19	033616	Top Housing
20	026269	Upper Motor Mount
21	033547	Control Panel
22	033737	O Ring
23	<i>Comes with the 033547 Control Panel</i>	
24	026267	Screw (4 required)
25	033618	120 volt Chiaphua Motor
26	032611	Screw (4 required)
27	027278	Ground Screw
28	002943	Washer
29	503431	Cordset Assembly

Illustration #	Part #	Description
30	033619	Strain Relief
31	013731	Wire Tie
32	035282 033617	Bottom Housing (on units after 8/5/2016) Bottom Housing
33	035287 033620	Foot (4 required on units after 8/5/2016) Foot (4 required)
34	035260 026276	Screw (4 required on units after 8/5/2016) Screw (4 required)

Parts Used with 033617 Bottom Housings

