



REPLACEMENT PARTS LIST

GAS FIRED SERIES

2300

IO-210

LUMINOUS TYPE INFRA RED HEATER

NOTICE:

The Manufacturer reserves the right to make changes to equipment and specifications without obligation or notification.

This publication, or parts thereof, may not be reproduced in any form, without prior written consent from The Manufacturer. Unauthorized use or distribution of this publication is strictly prohibited.

Schwank Group

U.S.A.:
Schwank USA Inc.
InfraSave U.S.A.

P.O. Box 988
2 Schwank Way
Waynesboro, GA 30830-0988
www.SchwankGroup.com
www.patioSchwank.com

Canada:
Schwank Ltd.
InfraSave Canada

5285 Bradco Boulevard
Mississauga, Ontario, L4W 2A6
www.InfraSave.com

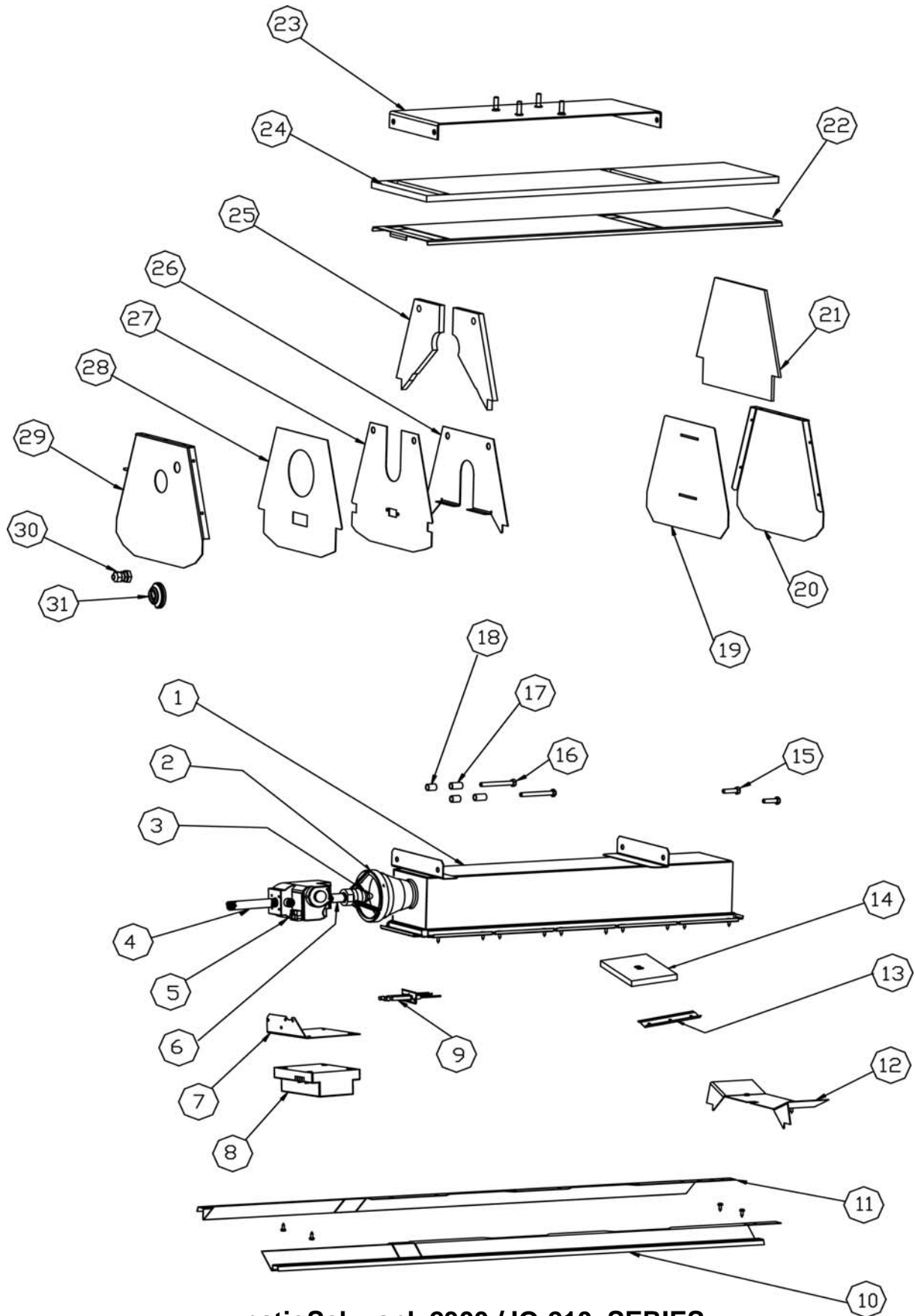
Customer & Technical Services:

Phone: 1-877-446-3727

Fax: 1-866-361-0523

email: csr@schwankgroup.com

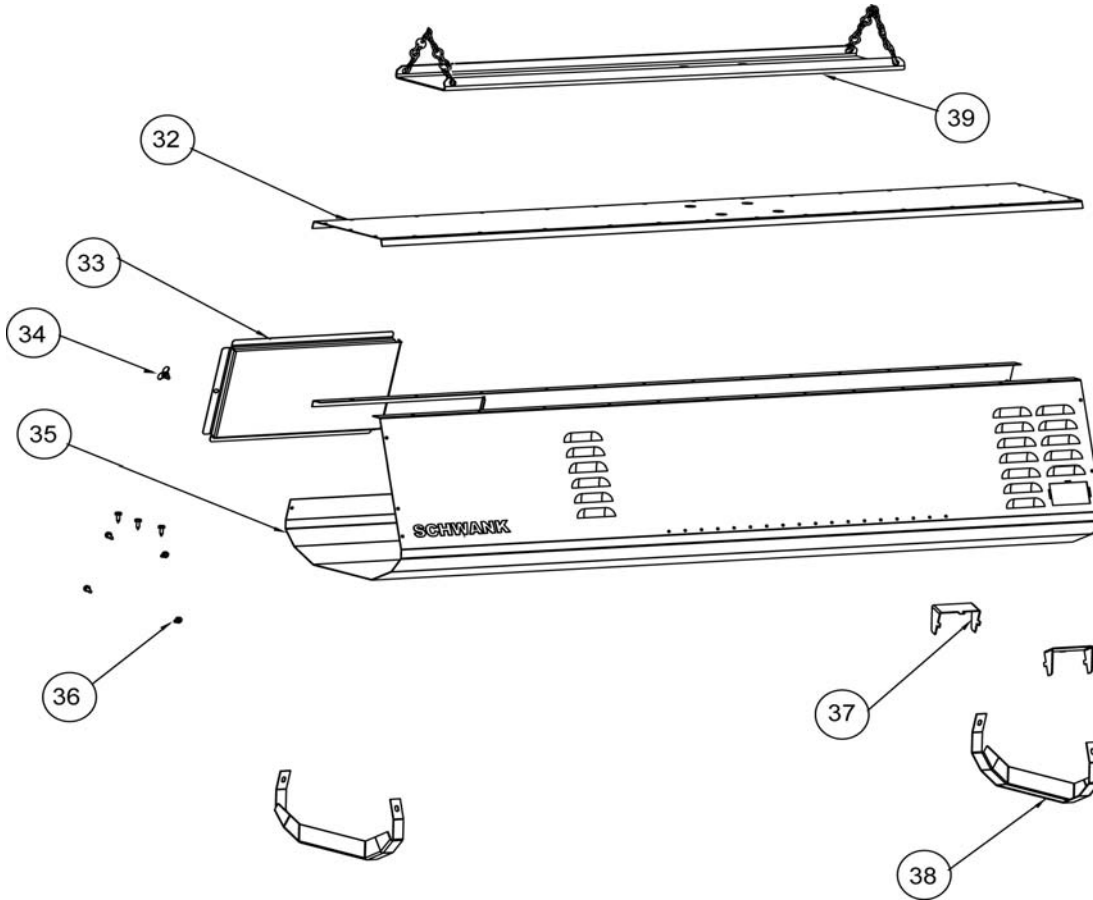




patioSchwank 2300 / IO-210 SERIES

REPLACEMENT PARTS LIST			NOTE: Unique parts for 2300 / IO-210 S/S (Stainless Steel Models) are highlighted in gray		
#	PART NAME	QUANTITY	2312 / IO-212	2313 / IO-213	2315 / IO-215
			PART #	PART #	PART #
1	Burner Assembly - Natural Gas	1	JX-E025-PN	JX-E037-PN	JX-E050-PN
	Burner Assembly - Propane		JX-E025-PL	JX-E037-PL	JX-E050-PL
2	Orifice holder	1	JX-0210-XX	JX-0210-XX	JX-0210-XX
3	Orifice - refer to "Orifice Chart"	1	see chart	see chart	see chart
4	4" nipple	1	JS-0590-GA	JS-0590-GA	JS-0590-GA
5	Gas valve-PN	1	JL-0701-XX	JL-0701-XX	JL-0701-XX
	Gas valve-PL		JL-0703-XX	JL-0703-XX	JL-0703-XX
6	3" nipple	1	JX-0209-XZ	JX-0209-XZ	JX-0209-XZ
7	Control Bracket	1	JX-0206-XX	JX-0206-XX	JX-0206-XX
8	DSI control HONEYWELL	1	JX-0202-XX	JX-0202-XX	JX-0202-XX
	DSI control FENWAL		JP-2573-FW	JP-2573-FW	JP-2573-FW
9	Igniter sensor	1	JX-0204-XX	JX-0204-XX	JX-0204-XX
10	Right reflector - Stainless Steel	1	JP-2312-RS-R	JP-2313-RS-R	JP-2315-RS-R
11	Left reflector - Stainless Steel	1	JP-2312-RS-L	JP-2313-RS-L	JP-2315-RS-L
12	Horizontal separation wall - Alum'd Steel	1	JP-2312-HP	JP-2313-HP	JP-2315-HP
	Horizontal separation wall - S/S Models		JP-S312-HP	JP-S313-HP	S/S all models
13	Tile retainer	8*/10*/12*	JX-0243-XX x 8	JX-0243-XX x 10	JX-0243-XX x 12
14	Ceramic tile	3*/5*/7*	JL-0740-XX	JL-0740-XX	JL-0740-XX
15	Short connecting screws	2	5/16" x 1-1/4"	5/16" x 1-1/4"	5/16" x 1-1/4"
16	Long connecting screws	2	5/16" x 2-1/2"	5/16" x 2-1/2"	5/16" x 2-1/2"
17	Spacer-short	2	JP-2300-SS	JP-2300-SS	JP-2300-SS
18	Spacer-long	2	JP-2300-LS	JP-2300-LS	JP-2300-LS
19	End insulation plate - Alum'd Steel	1	JP-2300-IE	JP-2300-IE	JP-2300-IE
	End insulation plate - S/S Models		JP-S300-IE	JP-S300-IE	JP-S300-IE
20	End plate - BLACK	1	JP-2300-EP	JP-2300-EP	JP-2300-EP
	End plate - S/S Models		JP-S300-EP	JP-S300-EP	JP-S300-EP
21	End insulation	1	JP-2300-EN	JP-2300-EN	JP-2300-EN
22	Horizontal insulation plate - Alum'd Steel	1	JP-2312-IP	JP-2313-IP	JP-2315-IP
	Horizontal insulation plate - S/S Models		JP-S312-IP	JP-S313-IP	JP-S315-IP
23	U- support bracket - BLACK	1	JP-2312-UB	JP-2313-UB	JP-2315-UB
	U- support bracket - S/S Models		JP-S312-UB	JP-S313-UB	JP-S315-UB
24	Horizontal insulation	1	JP-2312-TN	JP-2313-TN	JP-2315-TN
25	Venturi insulation	1	JP-2300-VN	JP-2300-VN	JP-2300-VN
26	Separation plate - Alum'd Steel	1	JP-2300-SP	JP-2300-SP	JP-2300-SP
	Separation plate - S/S Models		JP-S300-SP	JP-S300-SP	JP-S300-SP
27	Igniter plate - Stainless Steel	1	JP-2300-IG	JP-2300-IG	JP-2300-IG
28	Venturi plate - Alum'd Steel	1	JP-2300-VP	JP-2300-VP	JP-2300-VP
	Venturi plate - S/S Models		JP-S300-VP	JP-S300-VP	JP-S300-VP
29	Pipe plate - BLACK	1	JP-2300-PE	JP-2300-PE	JP-2300-PE
	Pipe plate - S/S Models		JP-S300-PE	JP-S300-PE	JP-S300-PE
30	Wire Grommet	1	JP-2036-XX	JP-2036-XX	JP-2036-XX
31	Nipple grommet	1	JP-2101-XX	JP-2101-XX	JP-2101-XX

REPLACEMENT PARTS LIST			NOTE: Unique parts for 2300 / IO-210 S/S (Stainless Steel Models) are highlighted in gray		
#	PART NAME	QUANTITY	2312 / IO-212	2313 / IO-213	2315 / IO-215
			PART #	PART #	PART #
32	Cover - BLACK	1	JP-2312-CV	JP-2313-CV	JP-2315-CV
	Cover - SS		JP-S312-CV	JP-S313-CV	JP-S315-CV
33	Service door - BLACK	1	JP-2300-SD	JP-2300-SD	JP-2300-SD
	Service door - S/S Models		JP-S300-SD	JP-S300-SD	JP-S300-SD
34	Door fastener	1	JP-2300-DF*	JP-2300-DF*	JP-2300-DF*
35	Screen Assembly - Stainless Steel	1	JP-2312-SC	JP-2313-SC	JP-2315-SC
36	Screws	37	1/4" S.M.	1/4" S.M.	1/4" S.M.
37	Lateral chimney - Stainless Steel	2	JP-2300-CH	JP-2300-CH	JP-2300-CH
38	Screen retainer - BLACK	2	JP-2300-SR	JP-2300-SR	JP-2300-SR
	Screen retainer - S/S Models		JP-S300-SR	JP-S300-SR	JP-S300-SR
39	Hanging Support - BLACK	1	JP-2300-HS	JP-2300-HS	JP-2300-HS
	Hanging Support - S/S Models		JP-S300-HS	JP-S300-HS	JP-S300-HS



#	PART NAME	QUANTITY	2312 / IO-212	2313 / IO-213	2315 / IO-215
			PART #	PART #	PART #
1	Burner Assembly - Natural Gas	1	JX-E025-PN	JX-E037-PN	JX-E075-PN
	Burner Assembly - Propane		JX-E025-PL	JX-E037-PL	JX-E075-PL
2	Orifice holder	1	JX-0210-XX	JX-0210-XX	JX-0210-XX
3	Orifice - refer to "Orifice Chart"	1	see chart	see chart	see chart
4	4" nipple	1	JS-0590-GA	JS-0590-GA	JS-0590-GA