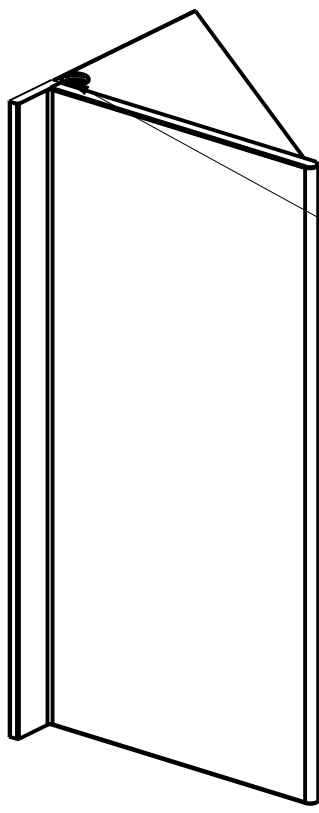
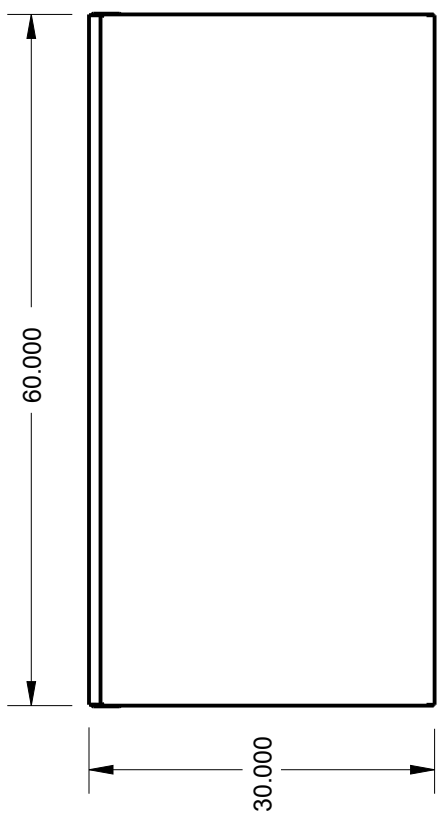


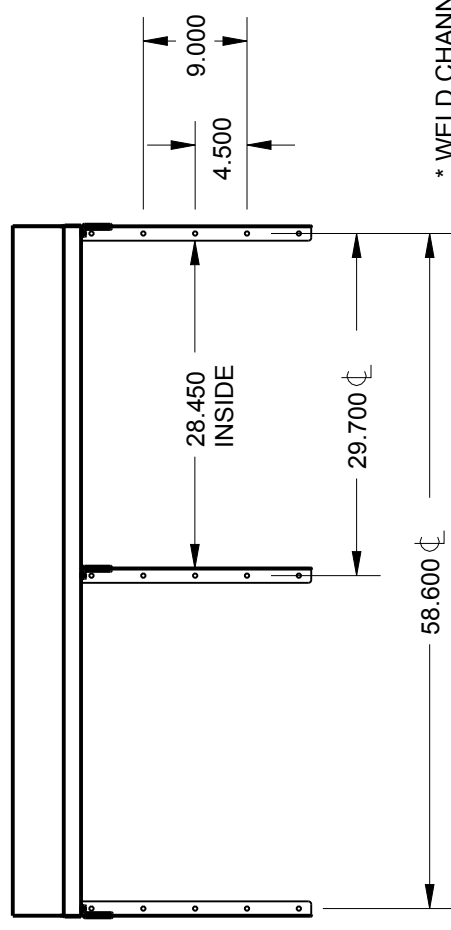
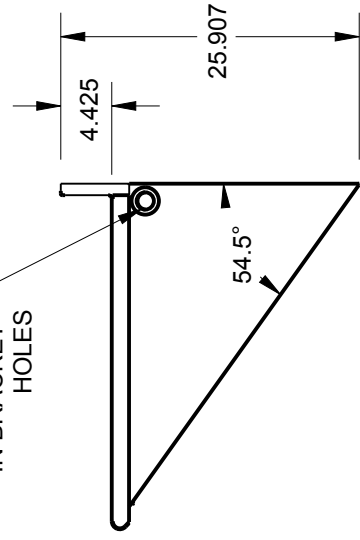
NOTICE: EAGLE GROUP CLAIMS PROPRIETARY RIGHTS IN THE MATERIAL DISCLOSED ON THIS DRAWING. IT IS ISSUED IN CONFIDENCE FOR ENGINEERING INFORMATION ONLY AND MAY NOT BE REPRODUCED OR USED TO MANUFACTURE ANYTHING SHOWN HEREON WITHOUT DIRECT WRITTEN PERMISSION FROM EAGLE GROUP TO THE USER.

DWG: 916375

WT3060SEB-BS



PLACE GROMMETS
IN BRACKET
HOLES



* WELD CHANNELS TO TABLE TOP
* STUD BRACKETS TO CHANNELS UNDER TABLE TOP

REV	DESCRIPTION	DATE	BY	DWN: B. HALL	DATE: 4-25-16	WALL MOUNTED TABLE TOP 3060SEB-BS
				MATL: 16/3		
				BLANK SIZE		
				SCALE= 0.060		DWG: 916375
				DO NOT SCALE DRAWING		SHEET 1 OF 2

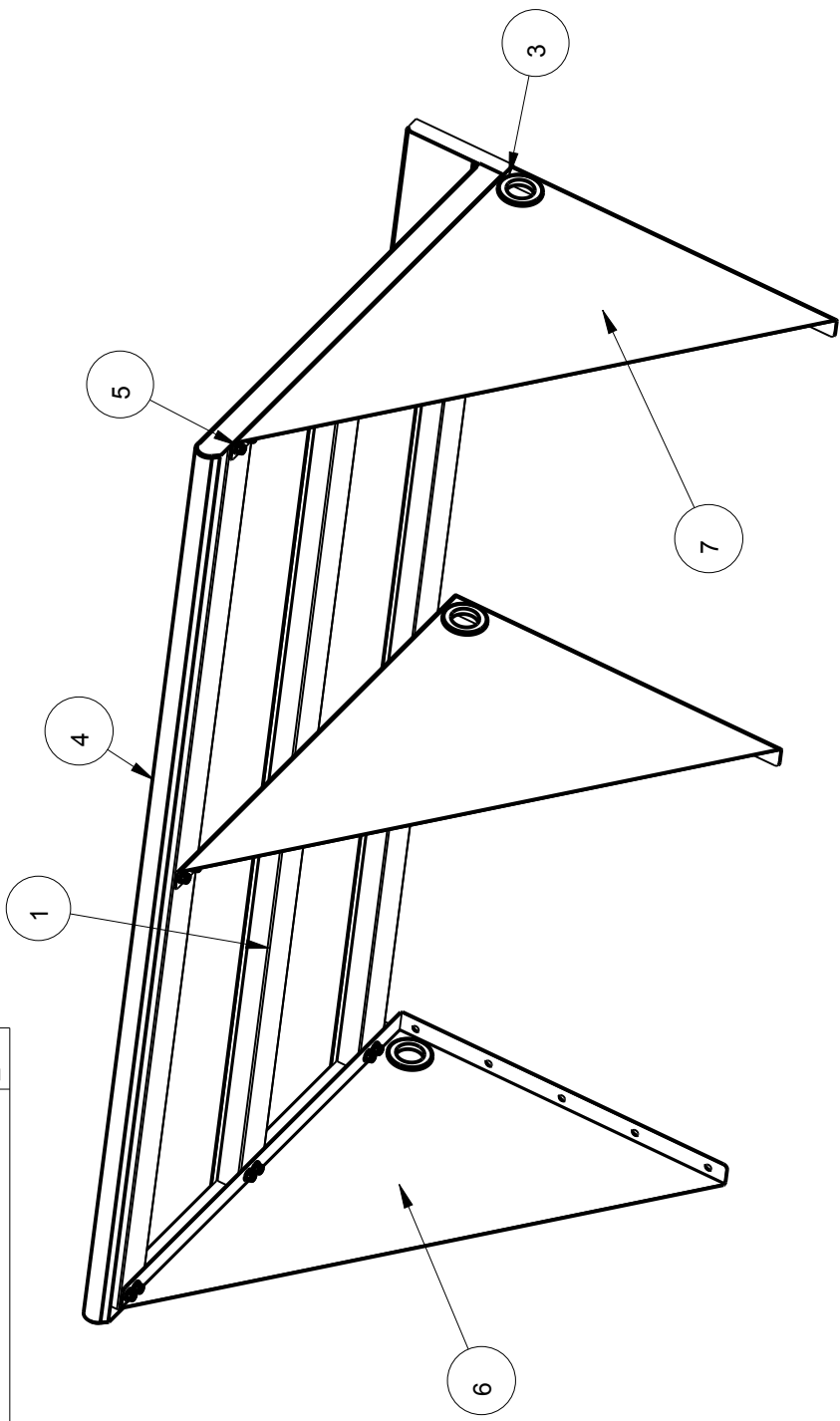


DIMENSIONS ARE IN INCHES EXCEPT AS NOTED THIRD ANGLE PROJECTION TOLERANCE .XXX ± 0.031" ANGLE ± 1/2° UNLESS NOTED

NOTICE: EAGLE GROUP CLAIMS PROPRIETARY RIGHTS IN THE MATERIAL DISCLOSED ON THIS DRAWING. IT IS ISSUED IN CONFIDENCE FOR ENGINEERING INFORMATION ONLY AND MAY NOT BE REPRODUCED OR USED TO MANUFACTURE ANYTHING SHOWN HEREON WITHOUT DIRECT WRITTEN PERMISSION FROM EAGLE GROUP TO THE USER.

DWG: 916375

IDX	PART #	DESCRIPTION	QTY
1	313318	CENTER CHANNEL	3
2	313337_STD	BCKSPLSH CLOSE-OFF	2
3	314267	GROMMET	3
4	382774	TABLE TOP	1
5	903604	ASSY STUD AND NUT	18
6	YTX41356-03	LH BRKT	1
7	YTX41356-04	RH BRKT	2



WT3060SEB-BS

REV	DESCRIPTION	DATE	BY	DWN: B. HALL	DATE: 25-April-16	WALL MOUNTED TABLE TOP 3060SEB-BS
				MATL: 14/3		
				BLANK SIZE		DWG: 916375
				SCALE= 0.100		SHEET 2OF2
				DO NOT SCALE DRAWING		



DIMENSIONS ARE IN INCHES EXCEPT AS NOTED THIRD ANGLE PROJECTION TOLERANCE .XXX ± 0.031" ANGLE ± 1/2° UNLESS NOTED