



# CATALOG OF REPLACEMENT PARTS

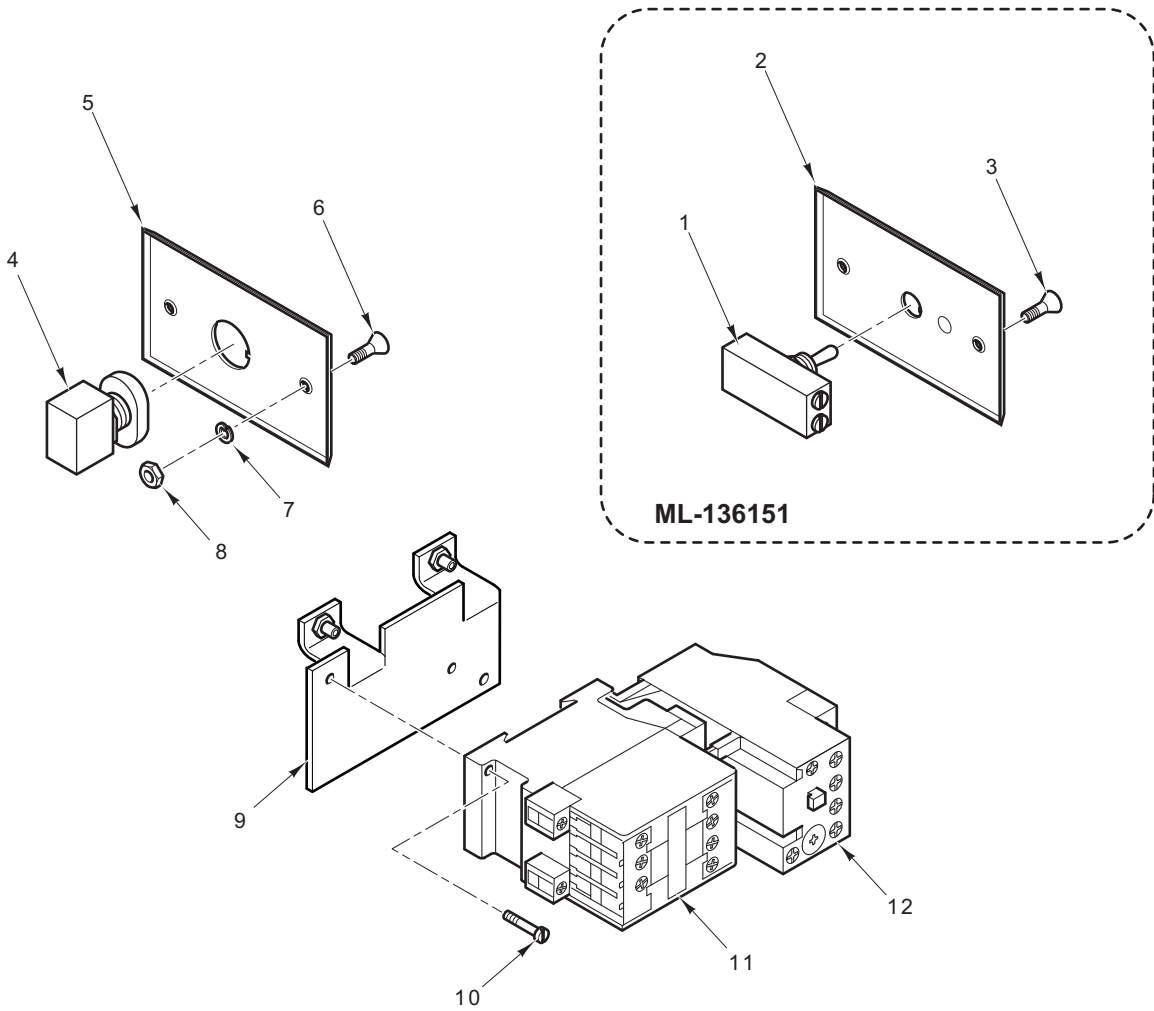


## 4812 CHOPPER

ML-136151  
ML-136152 (Canada)

**Table of Contents**

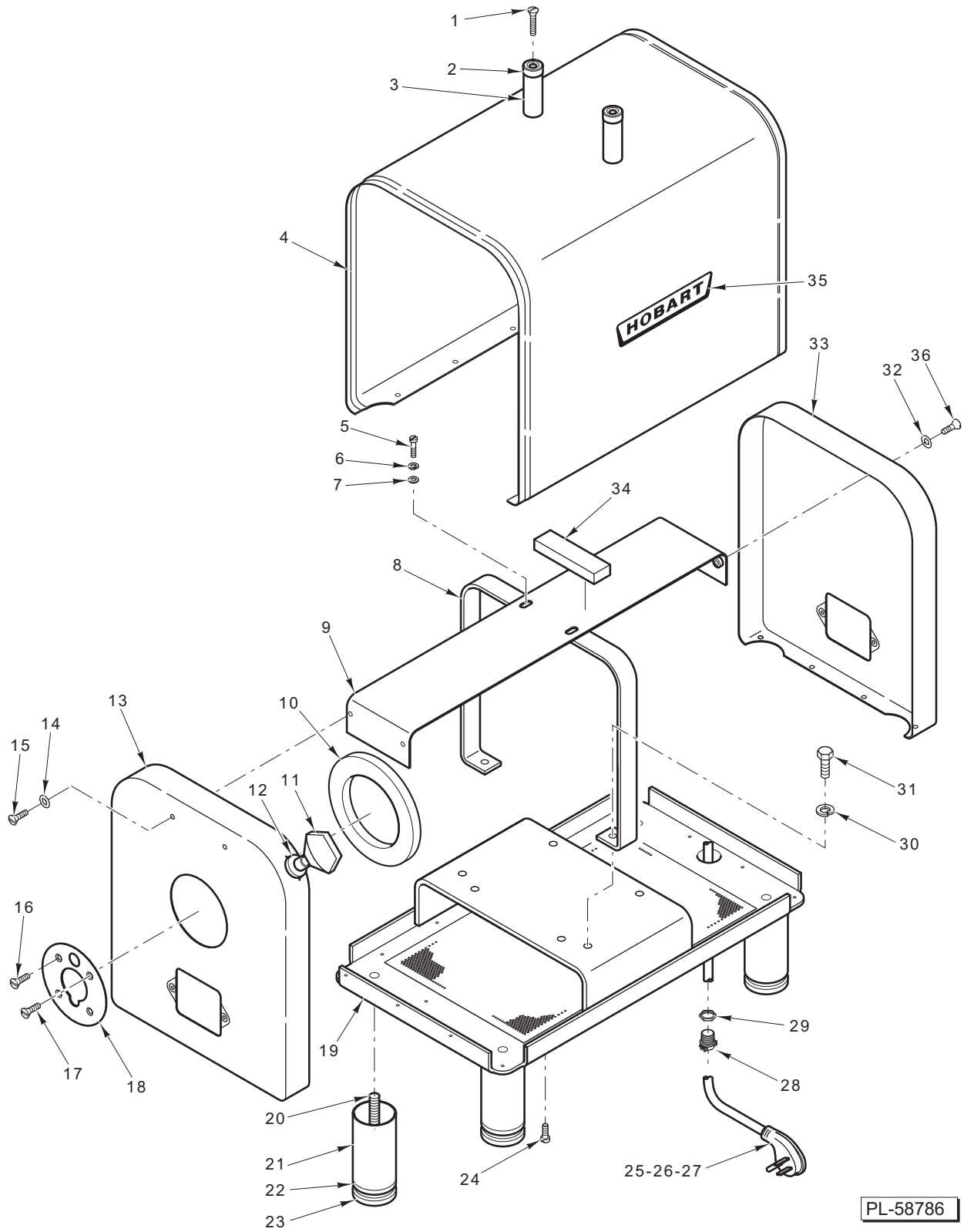
3	ELECTRICAL COMPONENTS
5	HOUSING UNIT
7	ATTACHMENT HUB AND MOTOR
8	#12 CHOPPER ATTACHMENT (NSF)



PL-58784

**ELECTRICAL COMPONENTS**

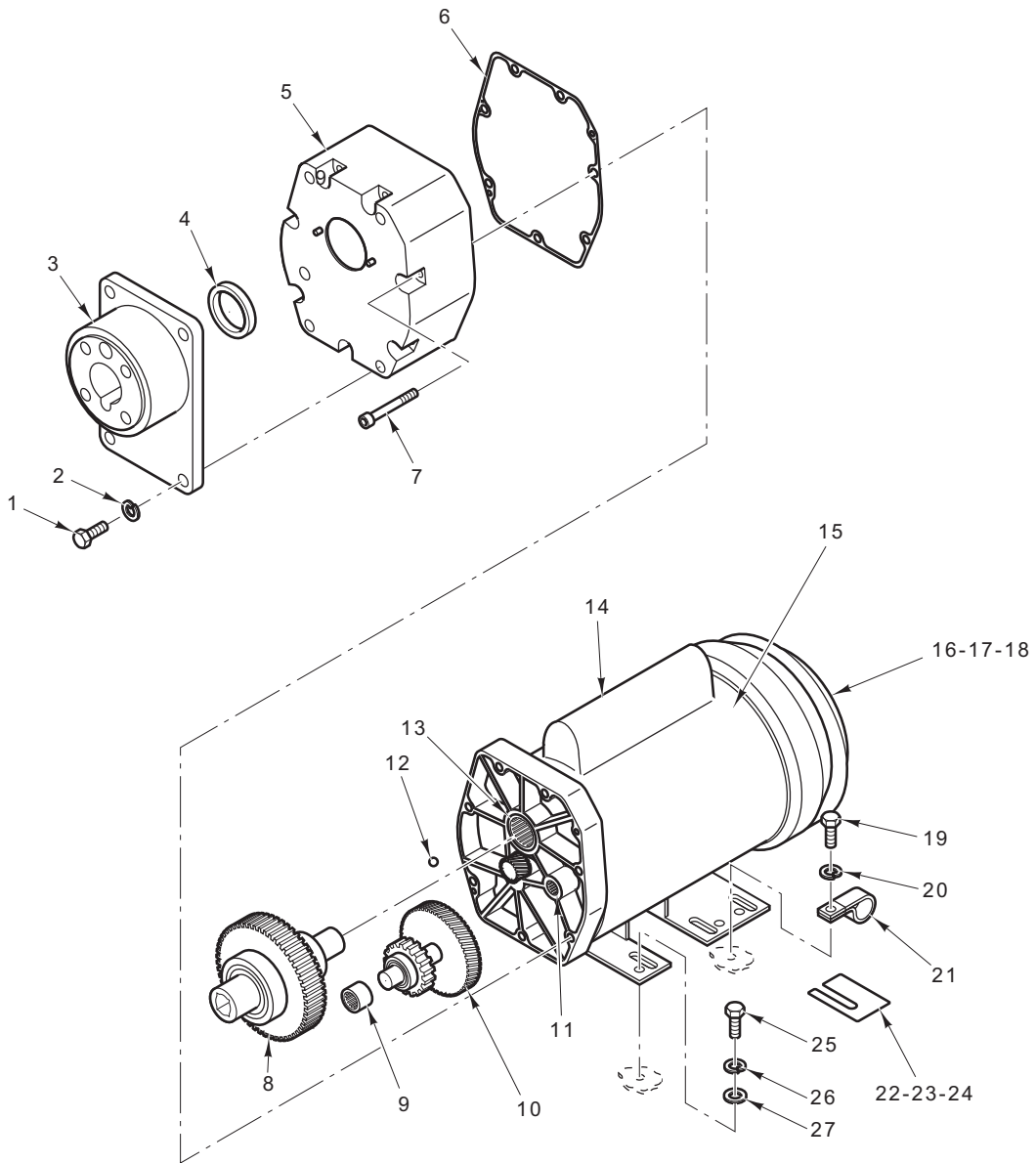
ILLUS.	PART NO.	NAME OF PART	AMT.
PL-58784			
1	00-944059	Switch Assy. (With Two Harnesses) (ML-136151)	1
2	00-291961	Plate – Switch (ML-136151)	1
3	SC-030-06	Mach. Screw 6-32 x 3/8 Oval Hd. (ML-136151)	2
4	00-087711-00350	Switch (Start/Stop) (ML-136152)	1
5	00-119953	Plate – Switch (ML-136152)	1
6	SC-030-06	Mach. Screw 6-32 x 3/8 Slotted Oval Hd. (ML-136152)	2
7	WL-019-32	Lockwasher #6 External (ML-136152)	2
8	NS-009-07	Nut 6-32 Hex (ML-136152)	2
9	00-914102	Plate – Electrical Weldment (ML-136152)	1
10	SC-025-17	Mach. Screw 6-32 x 5/8 Slotted Bndg. Hd. (ML-136152)	2
11	00-087713-00109	Contactor (ML-136152)	1
12	00-914287	Overload (ML-136152)	1
	00-914280-00002	Plate – Electrical Assy. (Incls Items 9 thru 12) (ML-136152)	1



**HOUSING UNIT**

## HOUSING UNIT

ILLUS.	PART NO.	NAME OF PART	AMT.
1	SC-060-10	Mach. Screw 8-32 x 3 Rd. Hd.....	2
2	00-019105-00001	Bumper .....	2
3	00-119911	Spacer – Pan Rest.....	2
4	00-290481-00018	Housing Assy. (60 Hz.).....	1
5	SC-010-16	Mach. Screw 10-24 x 1/2 Truss Hd.....	2
6	WL-007-12	Lockwasher #10 External Shakeproof .....	2
7	WS-023-07	Washer.....	2
8	00-875720	Support – Frame & Housing .....	1
9	00-875722-00001	Bracket – Locating .....	1
10	00-065140	Gasket – Attachment Hub .....	1
11	00-108197-00004	Thumb Screw Assy. ....	1
12	00-064824	Grommet (Thumb Screw) .....	1
13	00-064965-00008	Panel – Front Housing .....	1
14	WC-004-10	Washer – Countersunk .....	2
15	SC-015-36	Mach. Screw 10-24 x 5/8 Oval Hd.....	2
16	SC-022-17	Mach. Screw 10-24 x 3/8 Flat Hd. ....	3
17	SC-022-16	Mach. Screw 10-24 x 5/16 Flat Hd. ....	1
18	00-914767	Washer – Trim (Attachment Hub) .....	1
19	00-875551	Frame Weldment .....	1
20	00-290061-00002	Stud – Leg .....	4
21	00-290060-00002	Leg.....	4
22	00-064814	Cap – Leg End.....	4
23	00-083681	Foot – Rubber.....	4
24	SC-025-07	Mach. Screw 10-24 x 5/16 Bndg. Hd.....	18
25	00-117542-00098	Cord & Plug Assy. (120 V., 60 Hz., 1 Ph.) (ML-136151) .....	1
26	00-117542-00097	Cord & Plug Assy. (240 V., 60 Hz., 1 Ph.) (ML-136151) .....	1
27	00-117542-00099	Cord & Plug Assy. (ML-136152).....	1
28	FE-008-20	Strain Relief (1 Ph.) .....	1
29	FE-007-12	Lock Nut 3/4 Electrical.....	1
30	WL-003-47	Lockwasher 5/16 Medium .....	2
31	SC-036-40	Cap Screw 5/16-18 x 1 1/4 Hex Hd.....	2
32	WC-004-10	Washer – Countersunk .....	2
33	00-064805-00008	Panel – Rear Housing.....	1
34	00-064810	Strip – Compression .....	2
35	00-118365	Logo – Hobart.....	1
36	SC-015-36	Mach. Screw 10-24 x 5/8 Oval Hd.....	2



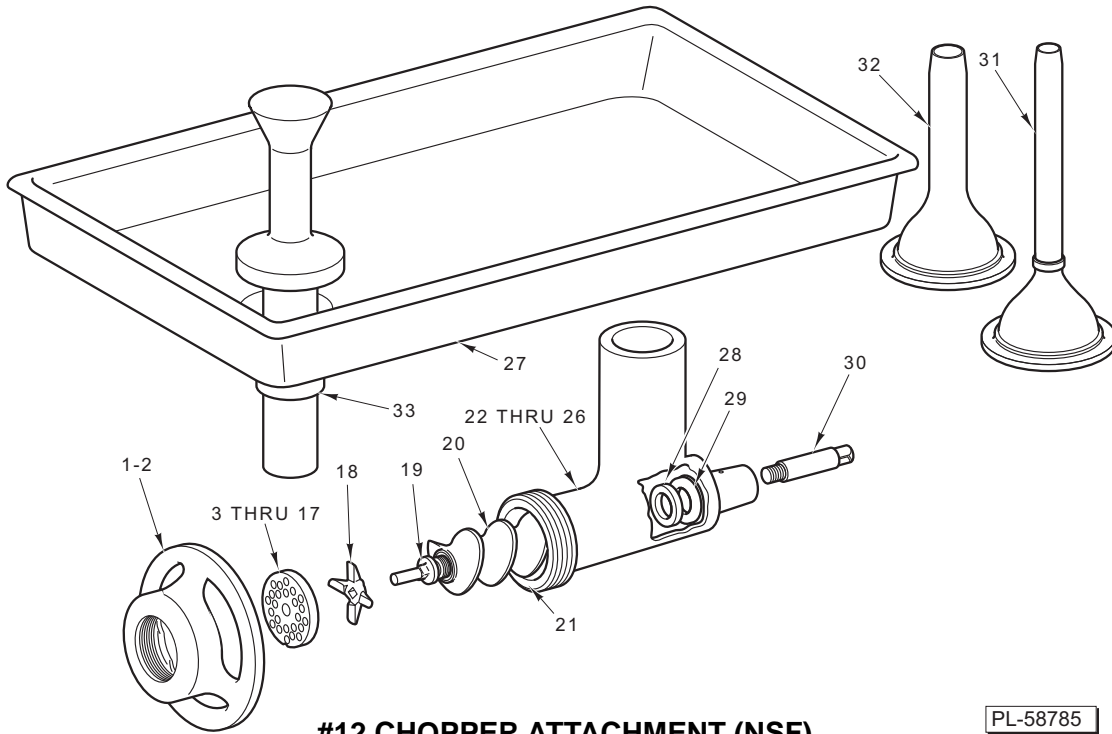
PL-58787

**ATTACHMENT HUB AND MOTOR**

## ATTACHMENT HUB AND MOTOR

ILLUS.	PART NO.	NAME OF PART	AMT.
PL-58787			
1	SC-037-86	Cap Screw $\frac{7}{16}$ -14 x 1 Hex Hd.....	4
2	WL-004-10	Lockwasher $\frac{7}{16}$ Helical .....	4
3	00-944045	Adapter – Motor Hub .....	1
4	00-914156	Seal.....	2
5	00-914125	Housing Assy. ....	1
6	00-914131	Gasket .....	1
7	SC-129-15	Cap Screw $\frac{1}{4}$ -20 x $2\frac{3}{4}$ Hex Socket Hd.....	7
8	00-944046	Gear Assy. (Low Speed) (With Ball Bearing & Thrust Washer) .....	1
9	00-914252	Bearing – Needle .....	1
10	00-944047	Gear Assy. (High Speed) .....	1
11	00-914253	Bearing – Needle .....	1
12	00-914202	Ball – Steel.....	3
13	00-914254	Bearing – Needle .....	1
14	00-944048	Capacitor – Start.....	1
15	00-944009	Motor (1Ph.).....	1
16	00-914251	Washer – Wavy.....	1
17	00-944049	Fan Kit .....	1
18	00-944050	Switch – Start.....	1
19	SC-027-28	Mach. Screw 8-32 x $\frac{1}{4}$ Rd. Hd.....	1
20	WL-011-01	Lockwasher.....	2
21	00-078752-00004	Clamp – Wire .....	1
22	00-914128-00001	Shim – Motor (0.005 Thk.) .....	AR
23	00-914128-00002	Shim – Motor (0.010 Thk.) .....	AR
24	00-914128-00003	Shim – Motor (0.020 Thk.) .....	AR
25	SC-036-40	Cap Screw $\frac{5}{16}$ -18 x $1\frac{1}{4}$ Hex Hd.....	4
26	WL-003-47	Lockwasher $\frac{5}{16}$ Medium .....	4
27	WS-029-86	Washer.....	4

4812 CHOPPER REPLACEMENT PARTS



#12 CHOPPER ATTACHMENT (NSF)

PL-58785

ILLUS.	PART NO.	NAME OF PART	AMT.
PL-58785			
1	00-077667-00001	Ring – Adjusting (Brite Metal) .....	1
2	00-077667-00002	Ring – Adjusting (Tinned).....	1
3	00-016423-00001	Chopper Plate (1/8 In. Dia. Holes) (Carbon Steel).....	1
4	00-016424-00001	Chopper Plate (3/16 In. Dia. Holes) (Carbon Steel) .....	1
5	00-016425-00001	Chopper Plate (1/4 In. Dia. Holes) (Carbon Steel).....	1
6	00-016426-00001	Chopper Plate (3/8 In. Dia. Holes) (Carbon Steel).....	1
7	00-016427-00001	Chopper Plate (1/2 In. Dia. Holes) (Carbon Steel).....	1
8	00-103970-00001	Chopper Plate (5/8 In. Dia. Holes) (Carbon Steel).....	1
9	00-016429-00001	Chopper Plate (11/16 In. Dia. Holes) (Carbon Steel) .....	1
10	00-019263-00001	Chopper Plate (5/64 In. Dia. Holes) (Carbon Steel) .....	1
11	00-016423-00002	Chopper Plate (1/8 In. Dia. Holes) (Stay Sharp).....	1
12	00-016424-00002	Chopper Plate (3/16 In. Dia. Holes) (Stay Sharp).....	1
13	00-016425-00002	Chopper Plate (1/4 In. Dia. Holes) (Stay Sharp).....	1
14	00-016426-00002	Chopper Plate (3/8 In. Dia. Holes) (Stay Sharp).....	1
15	00-016427-00002	Chopper Plate (1/2 In. Dia. Holes) (Stay Sharp).....	1
16	00-103970-00002	Chopper Plate (5/8 In. Dia. Holes) (Stay Sharp).....	1
17	00-016429-00002	Chopper Plate (11/16 In. Dia. Holes) (Stay Sharp).....	1
18	00-290339	Knife – Chopper.....	1
19	00-015877	Stud – Plate .....	1
20	00-015878	Worm Assy. (Incls. Items 19 & 28) .....	1
21	00-122999	Pin – Plate .....	1
22	00-119759-00001	Chopper Cylinder Assy. (Tinned) (Incls. Items 21 & 28) .....	1
23	00-119759-00003	Chopper Cylinder Assy. (Brite Metal) ( Incls. Items 21 & 28).....	1
24	00-119759-00004	Chopper Cylinder Assy. (Kosher Tinned) .....	1
25	00-119759-00005	Chopper Cylinder Assy. (Kosher Brite Metal).....	1
26	00-079213	Stud – Locating.....	1
27	00-122555	Pan – Feed (Rectangular) .....	1
28	00-003310	Washer – Worm Thrust.....	1
29	00-004838-00001	Washer – Cylinder Thrust .....	1
30	00-004284	Stud – Square Drive .....	1
31	00-295180	Stuffer – Sausage (Sheep Casing) (Packaged).....	1
32	00-295181	Stuffer – Sausage (Hog Casing) (Packaged) .....	1
33	00-119922-00001	Feed Stomper .....	1
	00-119860-00001	Cylinder Attachment Assy. (Tinned) .....	1
	00-119860-00003	Cylinder Attachment Assy. (Brite Metal).....	1
	00-119860-00004	Cylinder Attachment Assy. (Kosher).....	1
	00-119860-00005	Cylinder Attachment Assy. (Kosher Brite Metal) .....	1