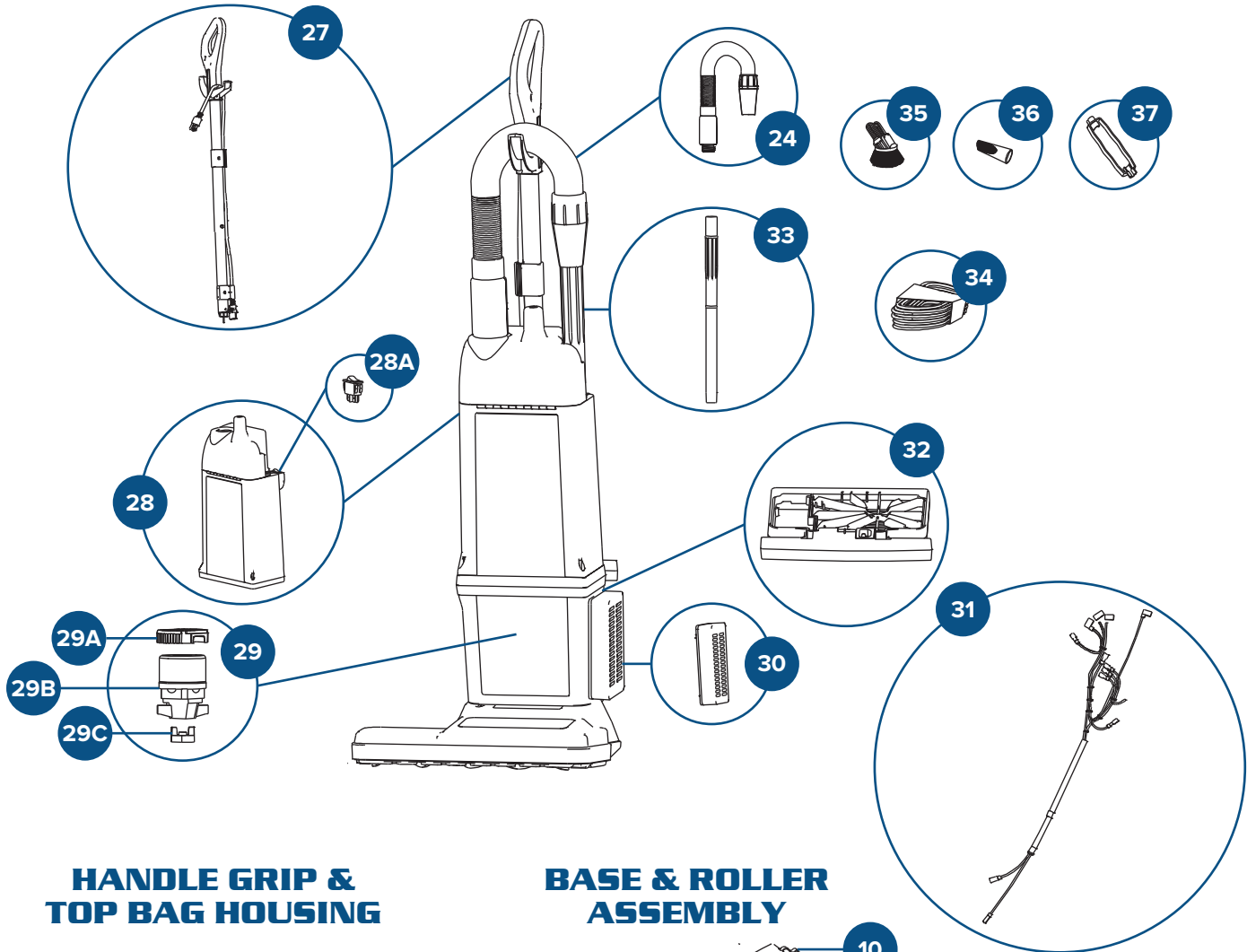


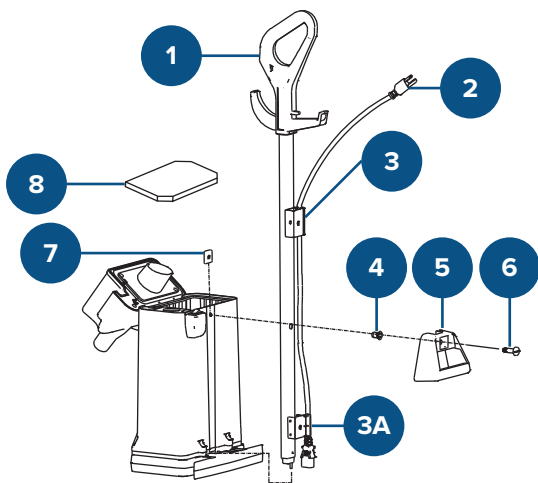
DUAL-MOTOR UPRIGHT VACUUM PARTS GUIDE



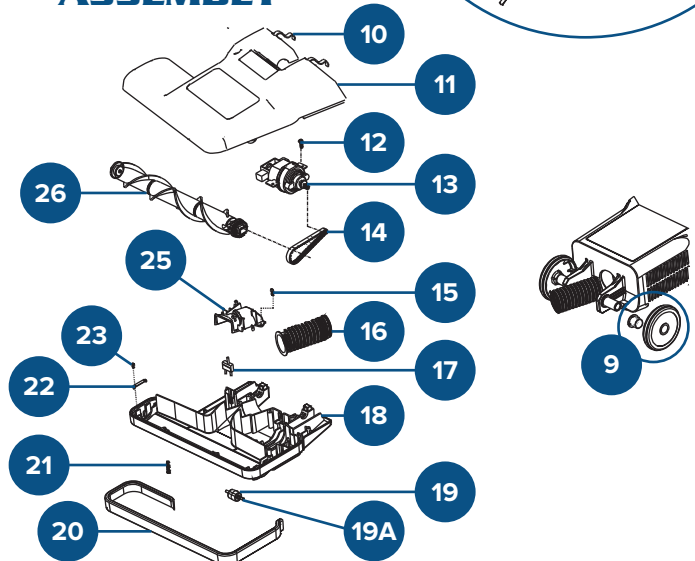
457LAVEXDM15



HANDLE GRIP & TOP BAG HOUSING



BASE & ROLLER ASSEMBLY



DUAL-MOTOR UPRIGHT VACUUM PARTS GUIDE



457LAVEXDM15

Part #	Description
1	Handle Grip
2	Power Cord
3	Upper Cord Holder with Screw
3A	Lower Cord Holder with Screw
4	Sleeve for Handle Bolt
5	Carry Handle
6	Handle Bolt
7	Square Handle Nut
8	Foam Filter Below Bag
9	Rear Wheels with Sleeve Bearing (2/ Pack)
10	Detent Spring
11	PN Hood with Detent Springs
12	Screw - PN Motor
13	Brush Roll Motor
14	Brush Roll Belt
15	Duct Hose Top Cover Screw
16	Duct Hose with Cuff Assembly
17	Circuit Breaker 1.6A with Spacer
18	Base Assembly (Complete with Bumper and Roller Guide)
19	Front Roller Wheel
19A	Front Roller Axle
20	Bumper
21	Bottom Base Screw
22	Brush Roll Retainer
23	Screw - Retainer
24	Attachment Hose
25	Duct Hose Cover
26	Brush Roll Complete

Part #	Description
27	Handle Assembly Complete
28	Top Bag Housing Complete with Lid
28A	On/Off Switch
29	Lower Motor Housing
29A	Suction End Motor Housing Gasket
29B	Suction Motor
29C	Commutator End Gasket
30	HEPA Filter
31	Wire Harness Complete
32	Bulkhead with Electrical Receptacle
33	Plastic Wand Assembly
34	18/3 Extension Cord (50 Ft.)
35	Combo Dust Brush/Upholstery Tool
36	Crevice Tool
37	Cord Connector Assembly