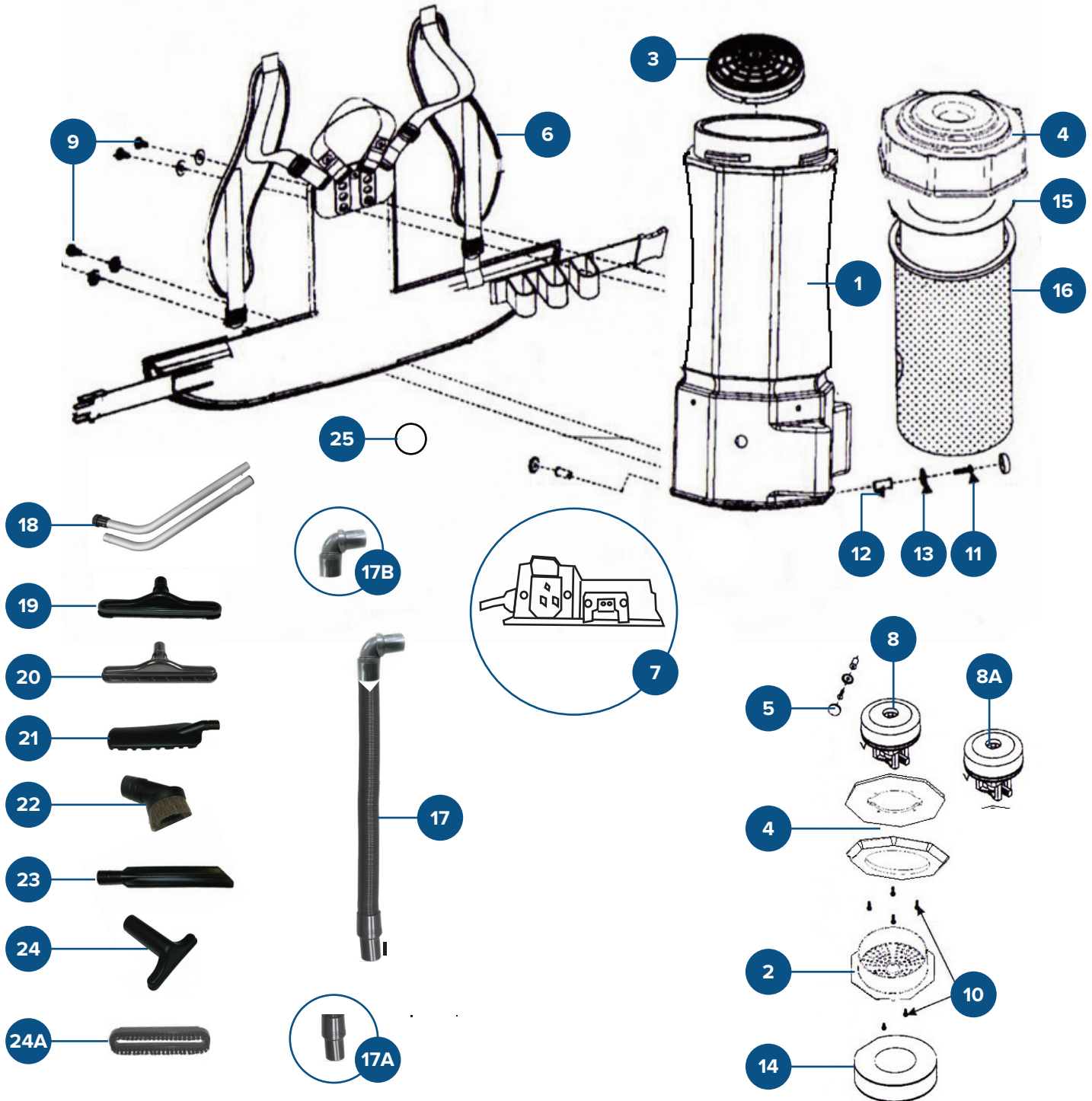


BACKPACK VACUUM PARTS GUIDE



457LAVBP6QT • 457LAVBP10QT



BACKPACK VACUUM PARTS GUIDE



457LAVBP6QT • 457LAVBP10QT

Part #	Description
1	Body (6 Qt. or 10 Qt.)
2	Motor Mount
3	Lid
4	Motor Platform (Complete with Gasket)
5	Decorative Cap
6	Harness (Complete)
7	Switch Box Assembly (Cord, Washer & Nut)
8	Motor (Ametek)
8A	Motor (New Style 2016+)
9	Harness Screws
10	Motor Screws
11	Nut Screw
12	Nut
13	Washer
14	Sponge - Sound Muffler
15	HEPA Microfilter Vacuum Bag
16	Cloth Filter Bag
17	Crushproof Stretch Hose (Stretches from 4' to 7')
17A	Straight Swivel Cuff (Fits 1½" Hose)
17B	90° Elbow Swivel Cuff (Fits 1½" Hose)
18	Wand Assembly (Aluminum - 2 Pieces)
19	Floor Brush
20	All-Purpose Carpet Tool
21	Paddle Tool
22	Dusting Brush
23	15" Crevice Tool
24	Upholstery Tool
24A	Slide-on Brush for Upholstery Tool
25	Locking Ring