

Hoshizaki America, Inc.

Modular Crescent Cuber

Model
KM-600MAH



“A Superior Degree
of Reliability”

www.hoshizaki.com

PARTS LIST



Number: 71288
Issued: 10-1-2008
Revised: 9-3-2015

CONTENTS

Auxiliary Codes.....	3
Note About Ordering Parts	3
A. Main Assembly & Refrigeration Circuit	4
B. Water Circuit	6
C. Control Box Assembly	8
D. Accessories & Labels	10

Auxiliary Codes

KM-600MAH

T-0	June 2008
U-0	January 2009
U-1	November 2009
V-0	January 2010
V-1	March 2010
V-2	June 2010
V-3	August 2010
A-0	January 2011
A-1	September 2011
B-0	January 2012
C-0	January 2013
C-1	May 2013
D-0	January 2014
D-1	December 2014
E-0	January 2015

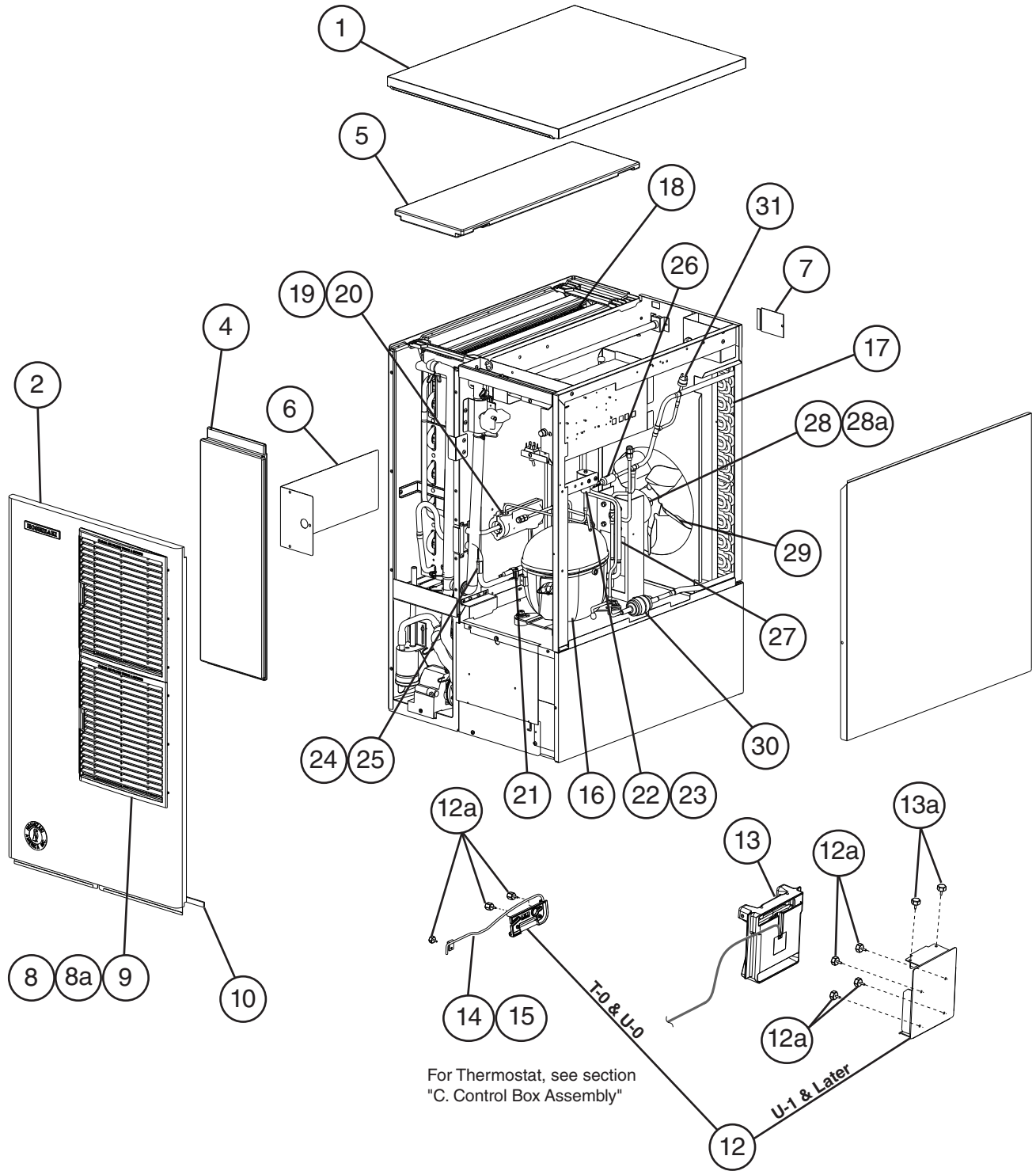
Auxiliary Code Breakdown

The auxiliary code is the first two characters in the serial number. The first character indicates the year. Years progress or regress in alphabetical order. The series runs from "A" through "V" and the letters "I" and "O" are skipped. The second character indicates significant part changes within a year. Base is "0" and this number advances for each change.

Note About Ordering Parts

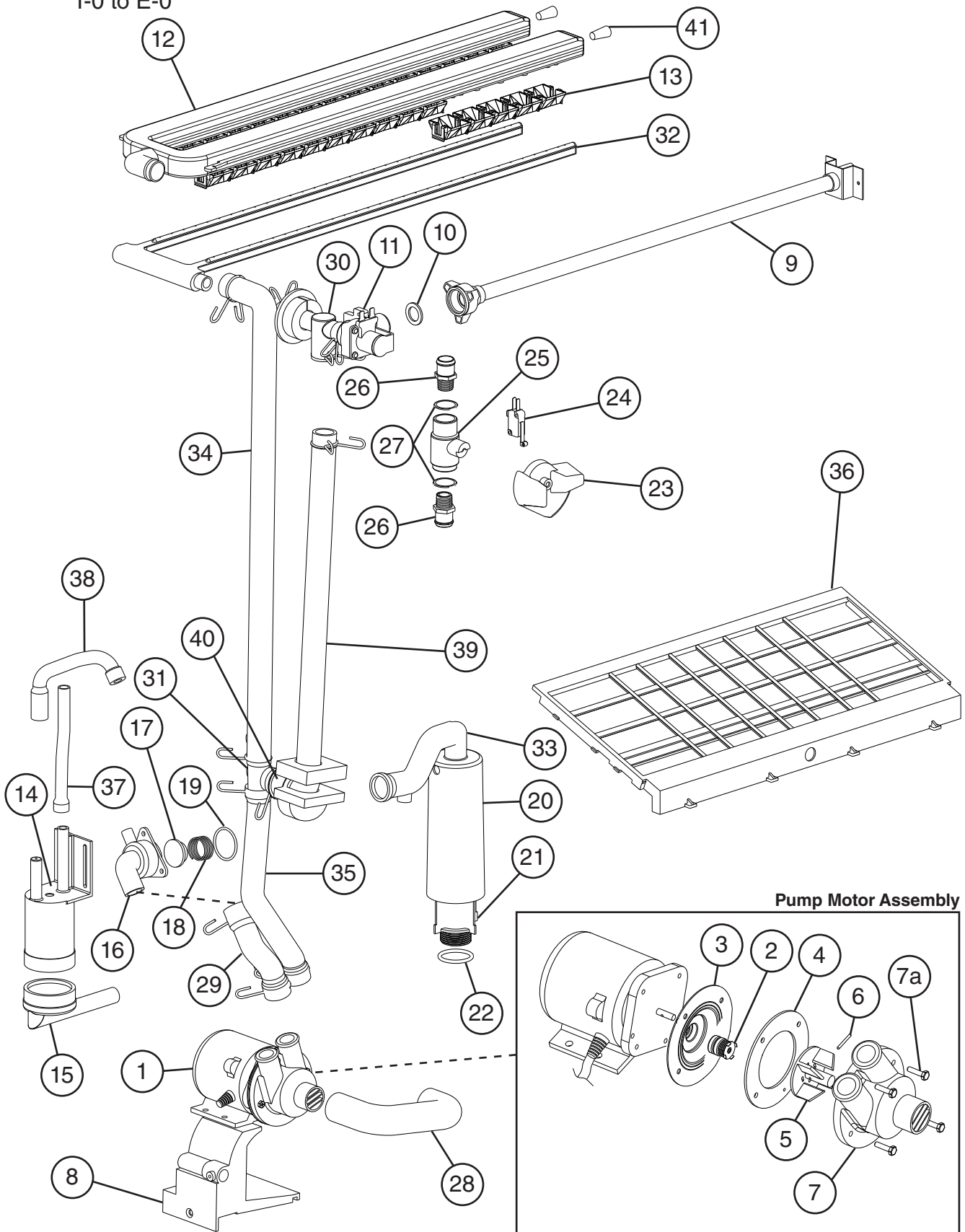
Most assemblies cannot be ordered as complete units; parts in the assemblies generally must be ordered separately.

A. Main Assembly & Refrigeration Circuit
KM-600MAH
 T-0 to E-0



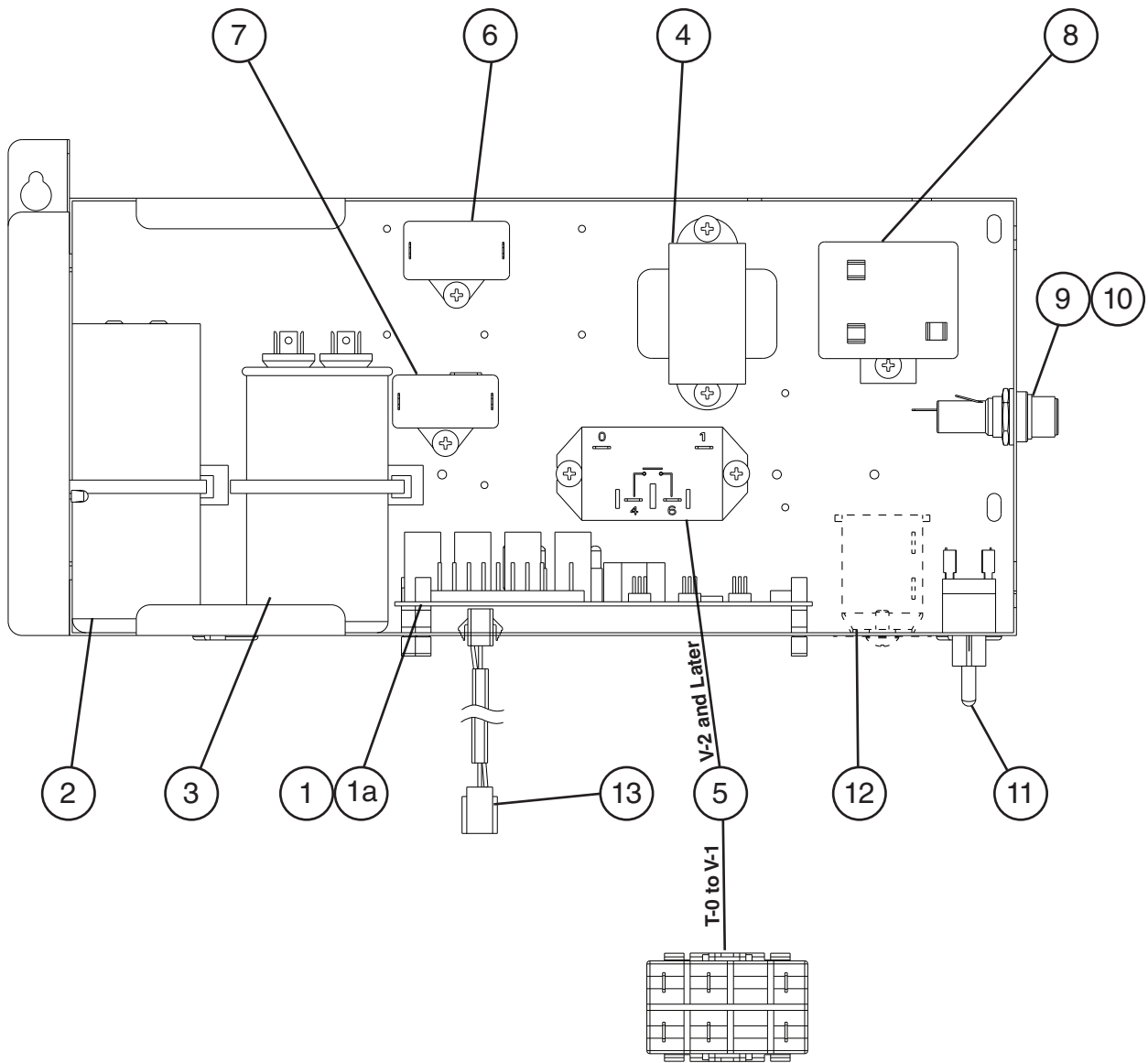
Title: A. Main Assembly & Refrigeration Circuit Model: KM-600MAH												
Index No.	Description	Material or Model Number	Part Number	Required Number								
				T-0 U-0	U-1 to V-1	V-2 to C-0	C-1 to E-0					
Main Assembly												
1	Top Panel		2A2133-01	1	1	1	1					
2	Front Panel		2A2130-03	1	1	1	1					
3	Right Side Panel		2A2117G02	1	1	1	1					
4	Front Insulation		215731G02	1	1	1	1					
5	Top Insulation		215730G01	1	1	1	1					
6	Control Box Cover		3A2371-01	1	1	1	1					
7	Junction Box Cover		433410-01	1	1	1	1					
8	Louver		1A0547-01	2	2	2	2					
8a	Push Retainer		4A2414-01	6	6	6	6					
9	Air Filter		2A2062G01	2	2	2	2					
10	Gasket	L=554 mm	4A0808L02	1	1	1	1					
12	Bulb Holder		3A3903-01	1	-							
	Mechanical Bin Control Switch Mount		3A4463-01		1	1	-					
			3A6040-01					1				
12a	Thumbscrew		415949G11	2	-							
			415949G10		4	4	4					
13	Mechanical Bin Control		2A4393G01		1	1	1					
13a	Thumbscrew		415949G10		2	2	2					
14	Silicone Hose	L=380 mm	773013812	1	-							
15	Strap		435487-01	1	-							
Refrigeration Circuit												
16	Compressor		4A4376-01	1	1	1	1					
17	Condenser		2A3853-01	1	1	1	1					
18	Evaporator		106396G01	1	1	1	1					
19	Thermostatic Expansion Valve		4A4619-01	1	1	1	1					
20	Thermostatic Expansion Valve Cover		3A0944-01	1	1	1	1					
21	Thermostatic Expansion Valve Holder		3A0107-01	1	1	1	1					
22	Hot Gas Valve Body		4A3978-01	1	1	1	1					
23	Valve Coil		4A3277-01	1	1	1	1					
24	Thermistor		429006-03	1	1	1	1					
25	Thermistor Holder		427430-01	1	1	1	1					
26	Strainer		441569-02	1	1	1	1					
27	Heat Exchanger		2A4585G02	1	-							
			2A5448G02		1	1	1					
28	Fan Motor		4A3158-01	1	1	1	1					
28a	Self-Locking Nut	8-32	7N2110832	4	4	4	4					
29	Fan Blade		4A3959-01	1	1	1	1					
30	Drier		4A2666-01	1	1	1	1					
31	Pressure Switch		463180-04	1	1	1	1					

B. Water Circuit
KM-600MAH
 T-0 to E-0



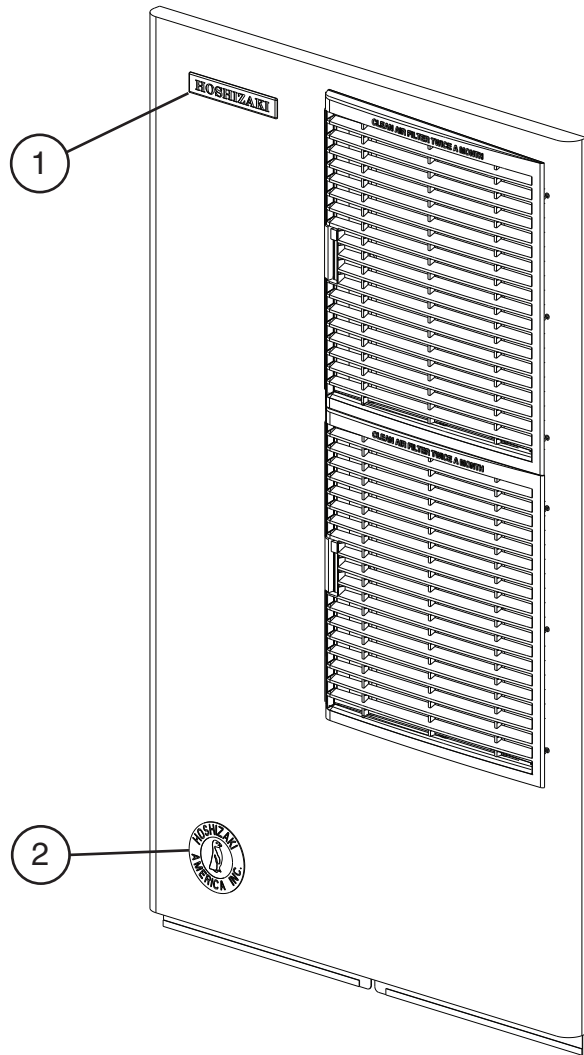
Title: B. Water Circuit Model: KM-600MAH											
Index No.	Description	Material or Model Number	Part Number	Required Number							
				R-0 to A-0	A-1 to E-0						
1	Pump Motor Assembly	PA0613	3A2638A03	1	1						
2	Mechanical Seal		465627-01	1	1						
3	Pump Flange		3A2988-01	1	1						
4	Pump Gasket		4A2974-01	1	1						
5	Impeller		433522-01	1	1						
6	Pin		4A0648-01	1	1						
7	Pump Housing		211409-01	1	1						
7a	Screw		4A3871-01	4	4						
8	Pump Motor Bracket		211408-01	1	1						
9	Water Supply Pipe		4A0768G04	1	-						
			4A5216G04		1						
10	Rubber Gasket		413854-03	1	1						
11	Inlet Water Valve		3U0111-03	1	1						
12	Spray Tube		1A0260-02	1	1						
13	Spray Guide (A)		208586-01	6	6						
14	Float Switch		4A3624-01	1	1						
15	Float Switch Connector		426799-01	1	1						
16	Drain Valve Housing		321001-01	1	1						
17	Drain Valve Seat		433705-01	1	1						
18	Drain Valve Spring		322110-01	1	1						
19	Drain Valve O-ring		7611-G035	1	1						
20	Overflow Cap		321002-01	1	1						
21	Overflow Pipe		430722-01	1	1						
22	O-Ring		4A1234-01	1	1						
23	Cleaning Valve Handle		215383-01	1	1						
24	Cleaning Valve Microswitch		4A2546-01	1	1						
25	Cleaning Valve Ball Valve		439293-01	1	1						
26	Cleaning Valve Male Adaptor		325826-01	2	2						
27	Cleaning Valve O-Ring		7611-P018	2	-	Use thread sealant tape					
28	Suction Hose		433466-01	1	1						
29	Vinyl Hose	L=110 mm	7716-2025	1	1						
30	Distributor A (Tee)		4A0177-01	1	1						
31	Distributor (Tee)		432426-01	1	1						
32	Water Supply Tube		2A0079-01	1	1						
33	Drain Hose		433468-01	1	1						
34	Rubber Hose (A)		4A1551-01	1	1						
35	Vinyl Hose	L=250 mm	7716-2025	1	1						
36	Cube Guide		212088-01	1	1						
37	Silicone Hose	L=140 mm	773013812	1	1						
38	Silicone Hose	L=140 mm	773013896	1	1						
39	Rubber Hose (B)		4A1551-02	1	1						
40	Rubber Ring		439236-01	1	1						
41	Plug		4A0176-01	2	2						
Hose Clamps											
	Hose Clamp	18 mm	427443-05	1	1						
	Hose Clamp	25 mm	427443-03	9	9						
	Hose Clamp	20 mm	427443-06	1	1						

C. Control Box Assembly
KM-600MAH
T-0 to E-0



Title: C. Control Box Assembly Model: KM-600MAH											
Index No.	Description	Material or Model Number	Part Number	Required Number							
				T-0 U-0	U-1 to V-1	V-2 to E-0					
1	Control Board		2A1410-01	1	-						
			2A3792-01		1	1					
1a	Control Board Support		4A0336-03	4	4	4					
2	Start Capacitor	243-292MFD, 165VAC	3A0076-20	1	1	1					
3	Run Capacitor	35MFD, 440VAC	3A2005-12	1	1	1					
4	Transformer		3A0172-01	1	1	1					
5	Magnetic Contactor		428393-01	1	1	-					
	Compressor Relay		4A3140-01			1					
6	Pump Capacitor	5.5MFD, 250VAC	443192-03	1	1	1					
7	Fan Capacitor	5.0MFD, 250VAC	443192-02	1	1	1					
8	Start Relay		4A1107-12	1	-						
			4A1107-11		1	1					
9	Fuse Holder		4A5443-01	1	1	1					
10	Fuse	AGC-10A, 250VAC	4A0893-07	2	2	2					
11	Power Switch		443119-01	1	1	1					
12	Thermostat		4A2879-01	1	-						
13	Wire Harness		4A2200G04		1	1					

D. Accessories & Labels
KM-600MAH
 T-0 to E-0



Title: D. Accessories & Labels Model: KM-600MAH							Required Number					
Index No.	Description	Material or Model Number	Part Number	T-0 to D-0 (H)	D-0 (J) to E-0							
1	Hoshizaki Emblem		4A0560-01	1	1							
2	Penguin Label		4A0526-01	1	1							
3	Air Filter Label		426177-01	1	-							
4	Universal Brace		4A0363-01	2	2							
4a	Hex Bolt		7B02-0512	4	4							