



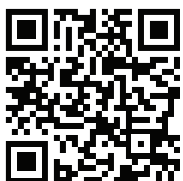
# HOSHIZAKI

## Parts List

Modular Flaker

Models

F-80 IMAJ(-C), MWJ(-C)



[hoshizakiamerica.com](http://hoshizakiamerica.com)

Number: 71369  
Issued: 5-26-2016

## CONTENTS

Auxiliary Codes.....	3
Note About Ordering Parts .....	3
A. Main Assembly & Refrigeration Circuit .....	4
F-801MAJ(-C).....	4
F-801MWJ(-C) .....	6
B. Icemaking Unit .....	8
C. Water Circuit.....	10
D. Control Box Assembly.....	12
E. Accessories & Labels .....	14

## Auxiliary Codes

### F-801MAJ

F-0 April 2016

### F-801MAJ-C

F-0 April 2016

### F-801MWJ

F-0 April 2016

### F-801MWJ-C

F-0 April 2016

## Auxiliary Code Breakdown

The auxiliary code is the first two characters in the serial number. The first character indicates the year. Years progress or regress in alphabetical order. The series runs from "A" through "V" and the letters "I" and "O" are skipped. The second character indicates significant part changes within a year. Base is "0" and this number advances for each change. In cases where there is a letter in parentheses, this designates the month. This is the last character in the serial number. The series runs from "(A)" through "(M)" and the letter "(I)" is skipped. This designation is only included when identifying a parts change within an auxiliary code.

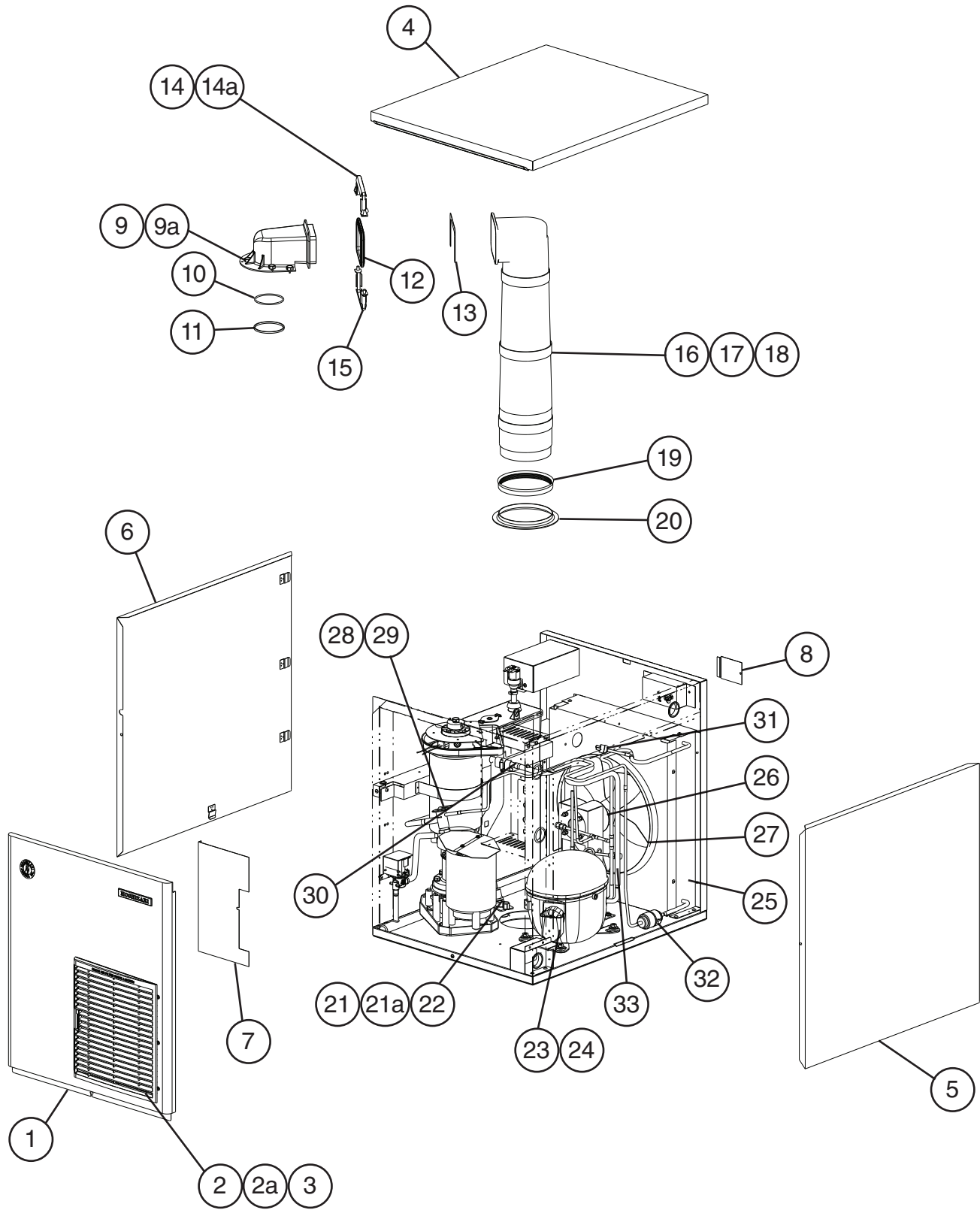
## Note About Ordering Parts

Most assemblies cannot be ordered as complete units; parts in the assemblies generally must be ordered separately.

# A. Main Assembly & Refrigeration Circuit

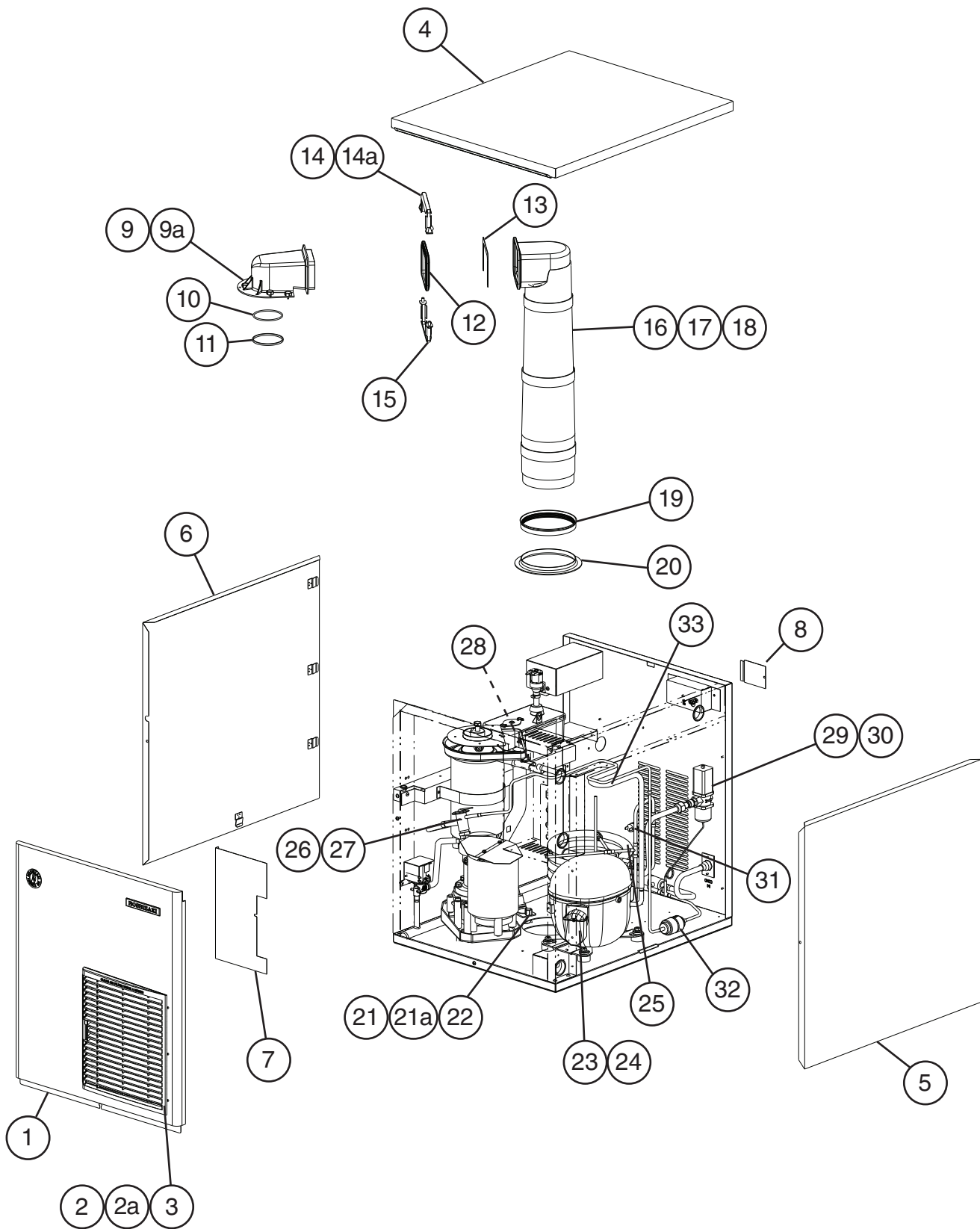
## F-801MAJ(-C)

F-0



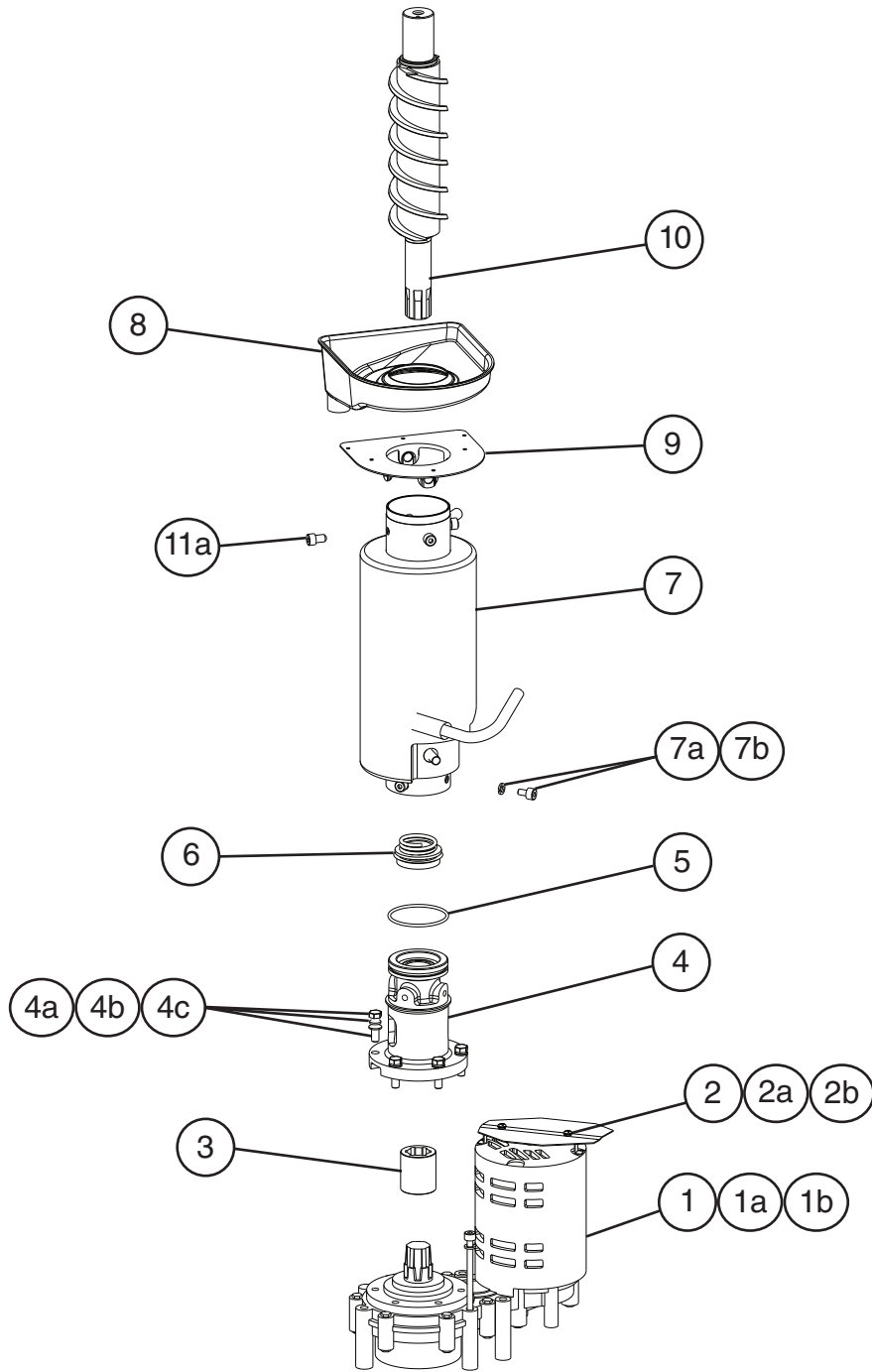
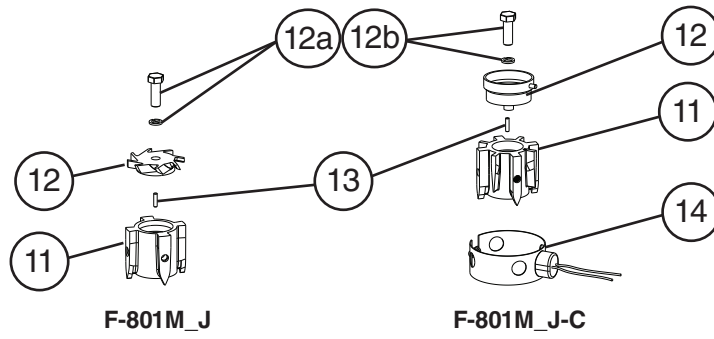
Title: A. Main Assembly & Refrigeration Circuit Model: F-801MAJ(-C)												
Index No.	Description	Material or Model Number	Part Number	Required Number								
				F-0								
<b>Main Assembly</b>												
1	Front Panel		2A2124-01	1								
2	Louver		1A0547-01	1								
2a	Push Retainer		4A2414-01	3								
3	Air Filter		2A2062G01	1								
4	Top Panel		2A2064-01	1								
5	Right Side Panel		2A2073G01	1								
6	Left Side Panel		2A2072G01	1								
7	Control Box Cover		3A0411-01	1								
8	Junction Box Cover		433410-01	1								
9	Spout		104797-01	1								
9a	Thumbscrew		415949G08	5								
10	O-Ring		4A4755-03	1								
11	Nylon Ring		432661-02	1								
12	Spout-to-Chute Packing		321037-01	1								
13	Spout-to-Chute Bracket		4A1712-01	1								
14	Upper Strap		328703-02	1								
14a	Wing Nut		7E12-0600	2								
15	Lower Strap		321038G02	1								
16	Chute		2A1919-03	1								
17	Chute Insulation		2A1920-01	1								
18	Chute Tie		436531G01	1								
19	Chute Packing		432877-01	1								
20	Ring		3A1017-01	1								
21	Bin Control Housing (infrared sensor)		3A3478-01	1								
21a	Thumbscrew		415949G12	1								
22	Bin Control 1 (infrared sensor)		4A4469-01	1								
<b>Refrigeration Circuit</b>												
23	Compressor		4A4479-01	1								
24	Compressor Protector		4A4481-01	1								
25	Air-Cooled Condenser		211663-02	1								
26	Fan Motor		4A3158-01	1								
27	Fan Blade		4A0197-01	1								
28	Thermostatic Expansion Valve		4A1117-01	1								
29	Thermostatic Expansion Valve Cover		4A1168-01	1								
30	Thermostatic Expansion Valve Bulb Holder		3A0112-01	1								
31	High-Pressure Switch		463180-05	1								
32	Drier		4A1113-01	1								
33	Heat Exchanger		3A5889G01	1								

**A. Main Assembly & Refrigeration Circuit**  
**F-801MWJ(-C)**  
 F-0



<b>Title: A. Main Assembly &amp; Refrigeration Circuit Model: F-801MWJ(-C)</b>												
Index No.	Description	Material or Model Number	Part Number	Required Number								
				F-0								
<b>Main Assembly</b>												
1	Front Panel		2A2124-01	1								
2	Louver		1A0547-01	1								
2a	Push Retainer		4A2414-01	3								
3	Air Filter		2A2062G01	1								
4	Top Panel		2A2064-01	1								
5	Right Side Panel		2A2073G01	1								
6	Left Side Panel		2A2072G01	1								
7	Control Box Cover		3A0411-01	1								
8	Junction Box Cover		433410-01	1								
9	Spout		104797-01	1								
9a	Thumbscrew		415949G08	5								
10	O-Ring		4A4755-03	1								
11	Nylon Ring		432661-02	1								
12	Spout-to-Chute Packing		321037-01	1								
13	Spout-to-Chute Bracket		4A1712-01	1								
14	Upper Strap		328703-02	1								
14a	Wing Nut		7E12-0600	2								
15	Lower Strap		321038G02	1								
16	Chute		2A1919-03	1								
17	Chute Insulation		2A1920-01	1								
18	Chute Tie		436531G01	3								
19	Chute Packing		432877-01	1								
20	Ring		3A1017-01	1								
21	Bin Control Housing (infrared sensor)		3A3478-01	1								
21a	Thumbscrew		415949G12	1								
22	Bin Control 1 (infrared sensor)		4A4469-01	1								
<b>Refrigeration Circuit</b>												
23	Compressor		4A4479-01	1								
24	Compressor Protector		4A4481-01	1								
25	Water-Cooled Condenser		3A7321-01	1								
26	Thermostatic Expansion Valve		4A1117-01	1								
27	Thermostatic Expansion Valve Cover		4A1168-01	1								
28	Thermostatic Expansion Valve Bulb Holder		3A0112-01	1								
29	Water Regulating Valve		4A0911-07	1								
30	Male Connector		4A1087-01	1								
31	High-Pressure Switch		463180-05	1								
32	Drier		4A1113-01	1								
33	Heat Exchanger		3A5889G01	1								

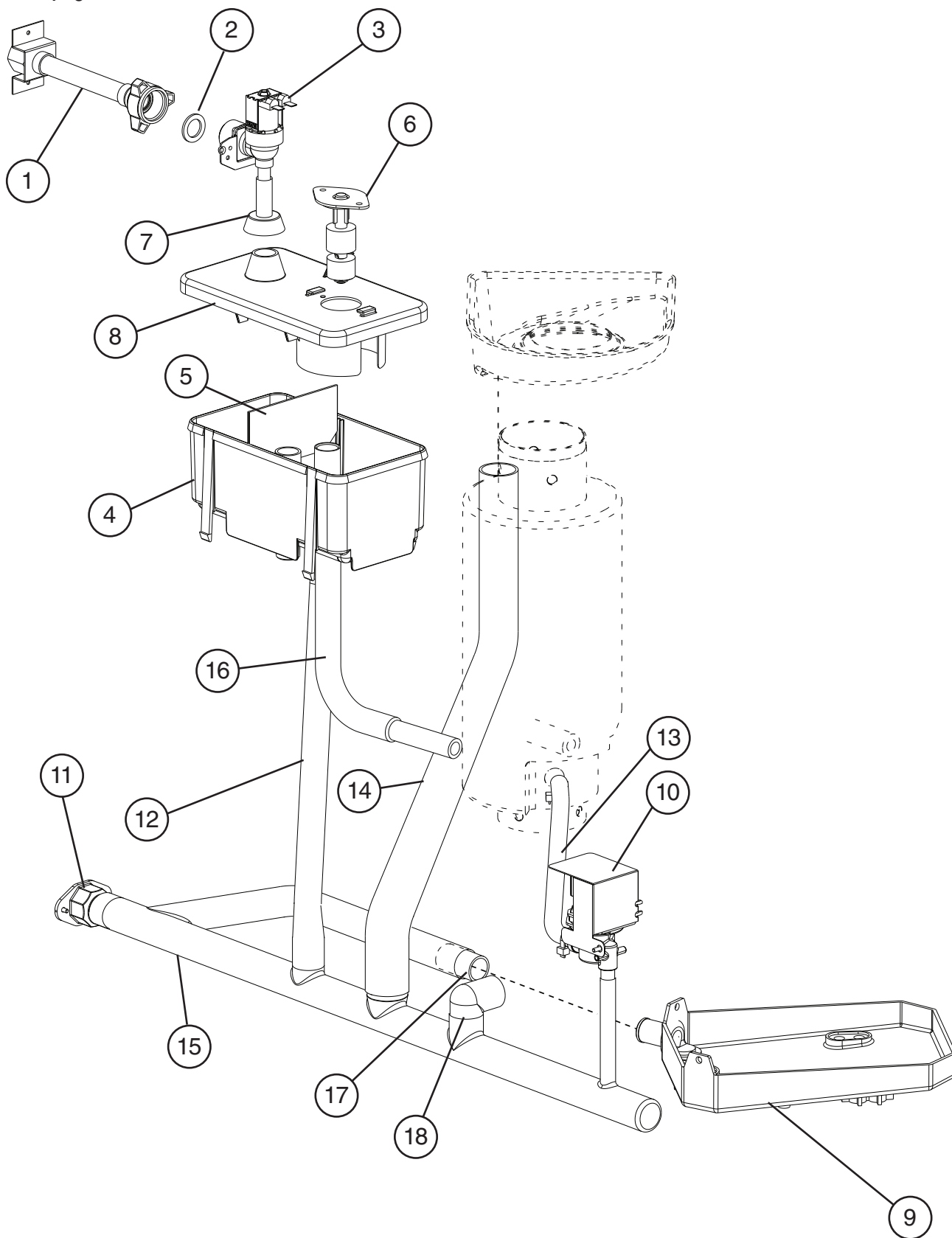
**B. Icemaking Unit**  
**F-801M\_J(-C)**  
 F-0





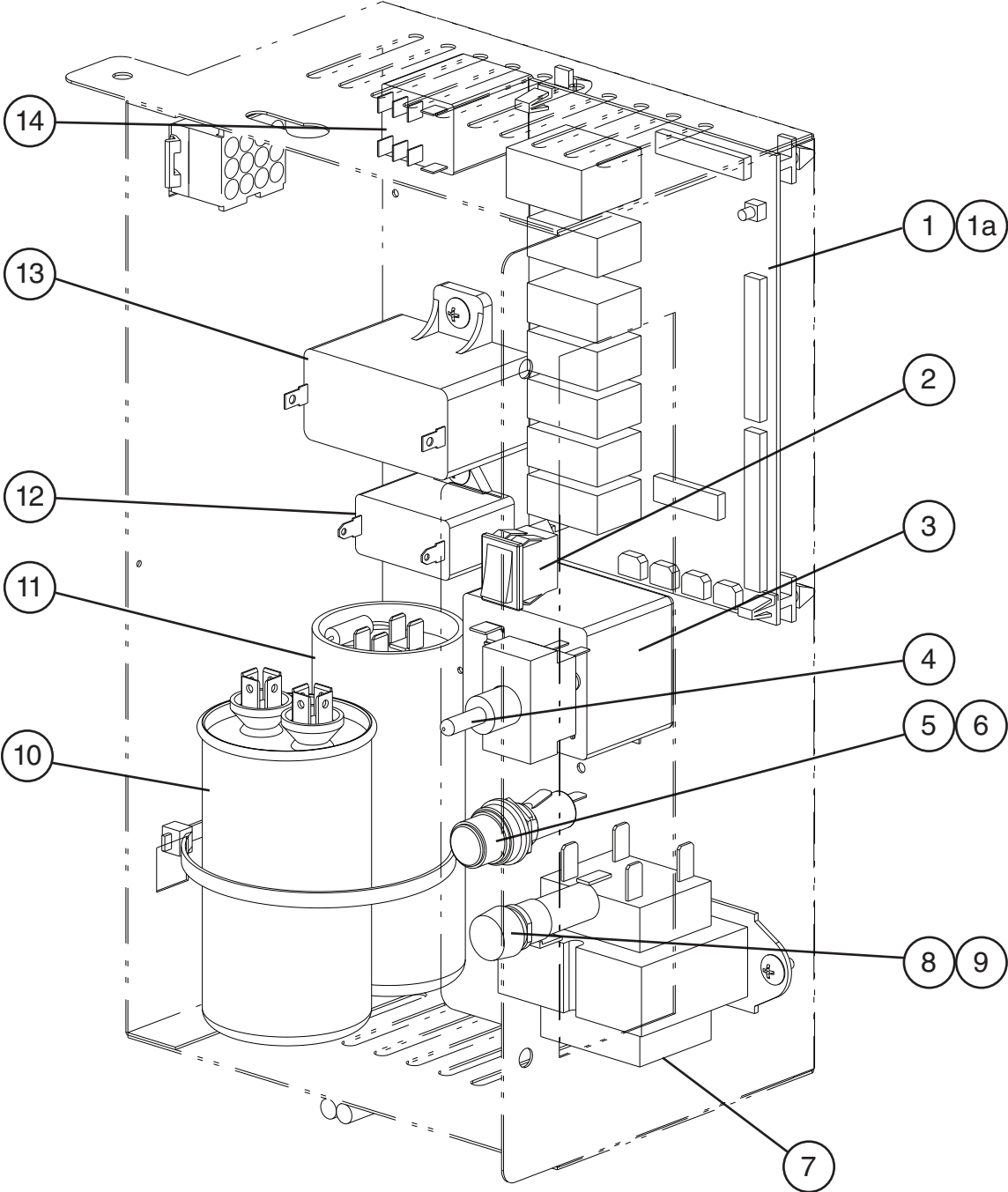
Title: B. Icemaking Unit Model: F-801M_J(-C)												
Index No.	Description	Material or Model Number	Part Number	Required Number								
				F-0								
1	Gear Motor		4A2007-01	1								
1a	Socket Head Cap Screw	8x110, SS	7S12-0811	3								
1b	Split Lock Washer	M8	7L22-0800	3								
2	Gear Motor Barrier		4A4029-01	1								
2a	Truss Head Screw	4x8, SS	7C32-0408	2								
2b	Rubber Washer		4A5268-01	2								
3	Spline Coupling		414137-01	1								
4	Housing		2A1977G01	1								
4a	Hex Head Bolt	8x30, SS	7B02-0830	6								
4b	Plain Washer		7W22-0800	6								
4c	Split Lock Washer		7L22-0800	6								
5	O-Ring		4A4755-02	1								
6	Mechanical Seal		432492-01	1								
7	Evaporator		2A7209G01	1								
7a	Socket Head Cap Screw	8x12, SS	7S12-0812	4								
7b	Split Lock Washer		7L22-0800	4								
8	Drip Pan		2A7187-01	1								
9	Flange		352713-01	1								
10	Auger		120863G02	1								
11	Extruding Head	F-801M_J	3A2175G01	1								
		F-801M_J-C	3A2176G01	1								
11a	Seal Bolt		P01768-01	4								
12	Cutter	F-801M_J	3A1395-02	1								
		F-801M_J-C	427183G01	1								
12a	Hex Head Bolt		7B02-1030	1								
12b	Split Lock Washer		7L22-1000	1								
13	Dowel Pin		713S-0416	1								
14	Evaporator Heater	F-801M_J-C	4A2292-01	1								

**C. Water Circuit**  
**F-801M\_J(-C)**  
F-0



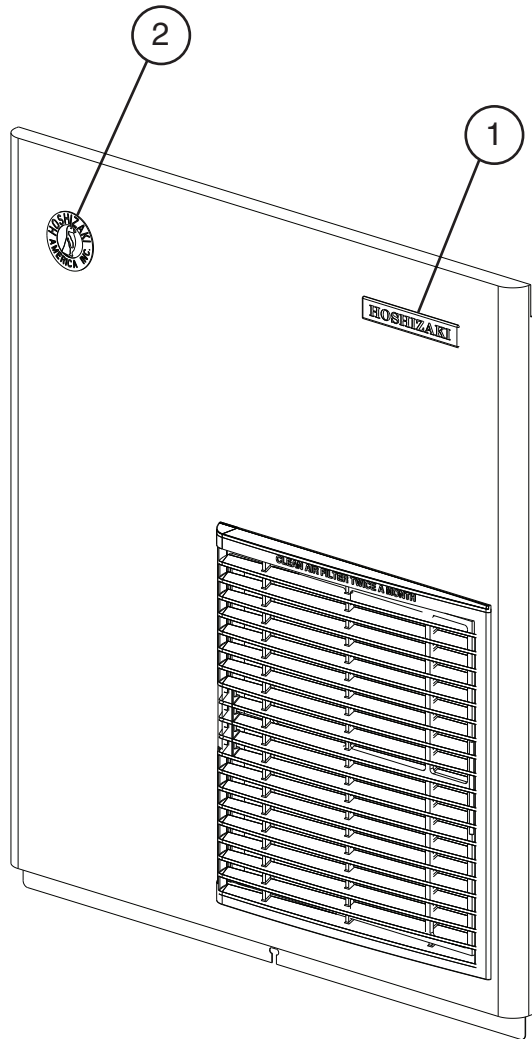
<b>Title: C. Water Circuit Model: F-801M_J(-C)</b>												
Index No.	Description	Material or Model Number	Part Number	Required Number								
				F-0								
1	Water Supply Pipe		4A0891G02	1								
2	Washer		413854-03	1								
3	Inlet Water Valve		4A5309-01	1								
4	Reservoir		2A0753-01	1								
5	Reservoir Separator		4A1255-01	1								
6	Float Switch		435490-01	1								
7	Reservoir Inlet		4A0869-01	1								
8	Reservoir Cover		214810-01	1								
9	Drain Pan		323765G02	1								
10	Drain Valve		4A2772-02	1								
11	Drain Fitting		4A5528-01	1								
12	Vinyl Hose	L=375 mm	7725-1923	1								
13	Silicone Hose	L=185 mm	773013896	1								
14	Vinyl Hose	L=460 mm	4A0658L01	1								
15	Drain Hose		3A8170-01	1								
16	Reservoir Hose		4A1165-06	1								
17	Vinyl Hose	L=30 mm	7725-1923	1								
18	Elbow		4A5624-01	1								
<b>Hose Clamps</b>												
	Hose Clamp	26-30 mm	4A2017-02	1								
	Hose Clamp	17-20 mm	4A2017-05	1								
	Hose Clamp	19-22 mm	4A2017-06	1								
	Hose Clamp	14-15 mm	4A2017-08	1								

**D. Control Box Assembly**  
**F-801M\_J(-C)**  
F-0



Title: D. Control Box Assembly Model: F-801M_J(-C)												
Index No.	Description	Material or Model Number	Part Number	Required Number								
				F-0								
1	"F-C" Control Board		2A8054-01	1								
1a	Control Board Support		4A0336-03	4								
2	Control Switch		4A0558-01	1								
3	Start Relay		4A1107-11	1								
4	Power Switch		4A2332-01	1								
5	Fuse Holder (control)		4A5443-01	1								
6	Fuse (control)	AGC-1A, 250VAC	4A0893-01	1								
7	Control Transformer		4A0557-01	1								
8	Fuse Holder (gear motor)		4A3449-02	1								
9	Fuse (gear motor)	GMD-3A, 250VAC	4A0893-06	1								
10	Run Capacitor	35MFD, 440VAC	3A2005-12	1								
11	Start Capacitor	243-292MFD, 165VAC	3A0076-20	1								
12	Fan Motor Capacitor	<b>F-801MAJ(-C)</b> 5MFD, 250VAC	443192-02	1								
13	Gear Motor Capacitor	24MFD, 250VAC	4A2273-01	1								
14	Compressor Control Relay	120VAC	406132-07	1								

**E. Accessories & Labels**  
**F-801M\_J(-C)**  
 F-0



Title: E. Accessories & Labels		Model: F-801M_J(-C)		Required Number							
Index No.	Description	Material or Model Number	Part Number	F-0							
1	Hoshizaki Emblem Label		4A0560-01	1							
2	Penguin Label		456246-01	1							
3	Universal Brace		4A0363-01	2							
3a	Hex Bolt		7B02-0512	2							