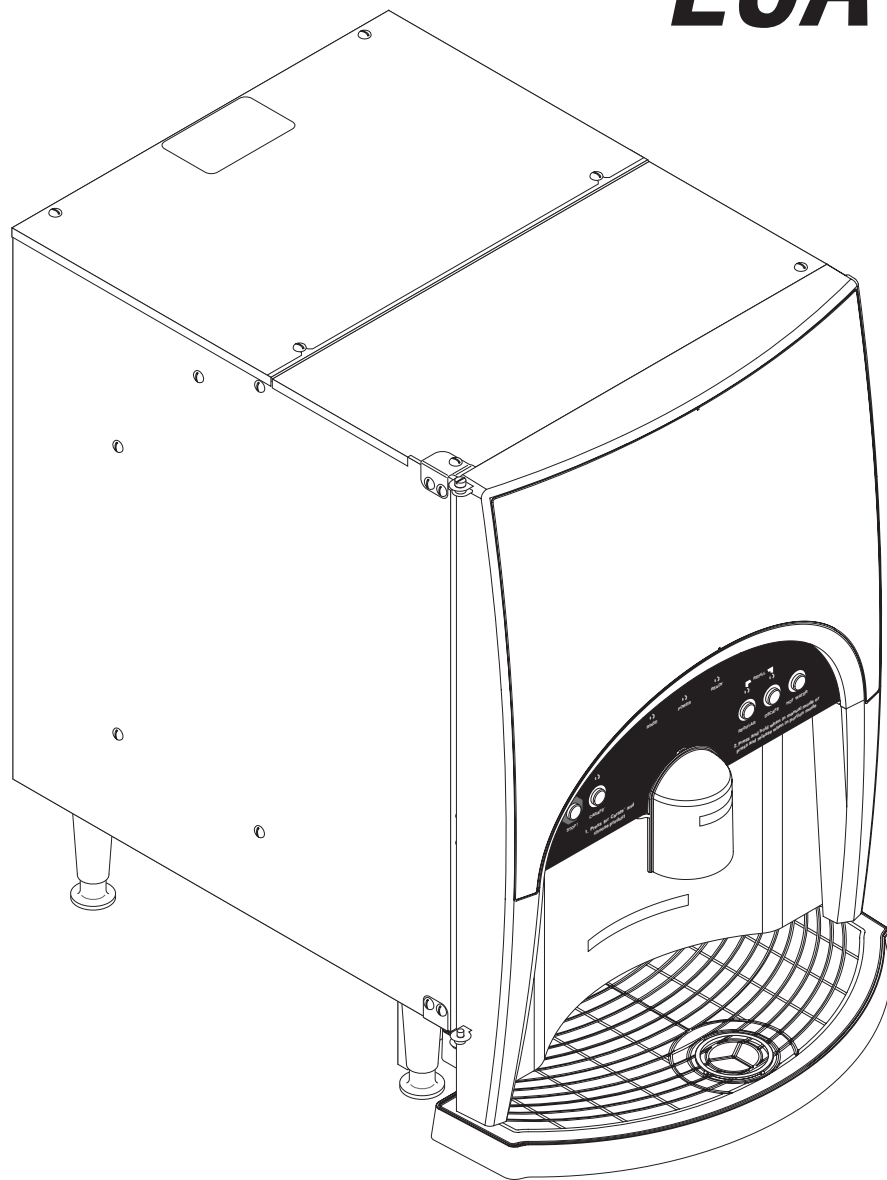

BUNN®

LCA-2 LP



ILLUSTRATED PARTS CATALOG

Designs, materials, weights, specifications, and dimensions for equipment or replacement parts are subject to change without notice.

BUNN-O-MATIC CORPORATION

POST OFFICE BOX 3227

SPRINGFIELD, ILLINOIS 62708-3227

PHONE: (217) 529-6601 FAX: (217) 529-6644



BUNN-O-MATIC COMMERCIAL PRODUCT WARRANTY

Bunn-O-Matic Corp. ("BUNN") warrants equipment manufactured by it as follows:

- 1) Airpots, thermal carafes, decanters, GPR servers, iced tea/coffee dispensers, MCR/MCP/MCA single cup brewers, thermal servers and ThermoFresh® servers (mechanical and digital) 1 year parts and 1 year labor.
- 2) All other equipment - 2 years parts and 1 year labor plus added warranties as specified below:
 - a) Electronic circuit and/or control boards - parts and labor for 3 years.
 - b) Compressors on refrigeration equipment - 5 years parts and 1 year labor.
 - c) Grinding burrs on coffee grinding equipment to grind coffee to meet original factory screen sieve analysis - parts and labor for 4 years or 40,000 pounds of coffee, whichever comes first.

These warranty periods run from the date of installation BUNN warrants that the equipment manufactured by it will be commercially free of defects in material and workmanship existing at the time of manufacture and appearing within the applicable warranty period. This warranty does not apply to any equipment, component or part that was not manufactured by BUNN or that, in BUNN's judgment, has been affected by misuse, neglect, alteration, improper installation or operation, improper maintenance or repair, non periodic cleaning and descaling, equipment failures related to poor water quality, damage or casualty. In addition, the warranty does not apply to replacement of items subject to normal use including but not limited to user replaceable parts such as seals and gaskets. This warranty is conditioned on the Buyer 1) giving BUNN prompt notice of any claim to be made under this warranty by telephone at (217) 529-6601 or by writing to Post Office Box 3227, Springfield, Illinois 62708-3227; 2) if requested by BUNN, shipping the defective equipment prepaid to an authorized BUNN service location; and 3) receiving prior authorization from BUNN that the defective equipment is under warranty.

THE FOREGOING WARRANTY IS EXCLUSIVE AND IS IN LIEU OF ANY OTHER WARRANTY, WRITTEN OR ORAL, EXPRESS OR IMPLIED, INCLUDING, BUT NOT LIMITED TO, ANY IMPLIED WARRANTY OF EITHER MERCHANTABILITY OR FITNESS FOR A PARTICULAR PURPOSE. The agents, dealers or employees of BUNN are not authorized to make modifications to this warranty or to make additional warranties that are binding on BUNN. Accordingly, statements by such individuals, whether oral or written, do not constitute warranties and should not be relied upon.

If BUNN determines in its sole discretion that the equipment does not conform to the warranty, BUNN, at its exclusive option while the equipment is under warranty, shall either 1) provide at no charge replacement parts and/or labor (during the applicable parts and labor warranty periods specified above) to repair the defective components, provided that this repair is done by a BUNN Authorized Service Representative; or 2) shall replace the equipment or refund the purchase price for the equipment.

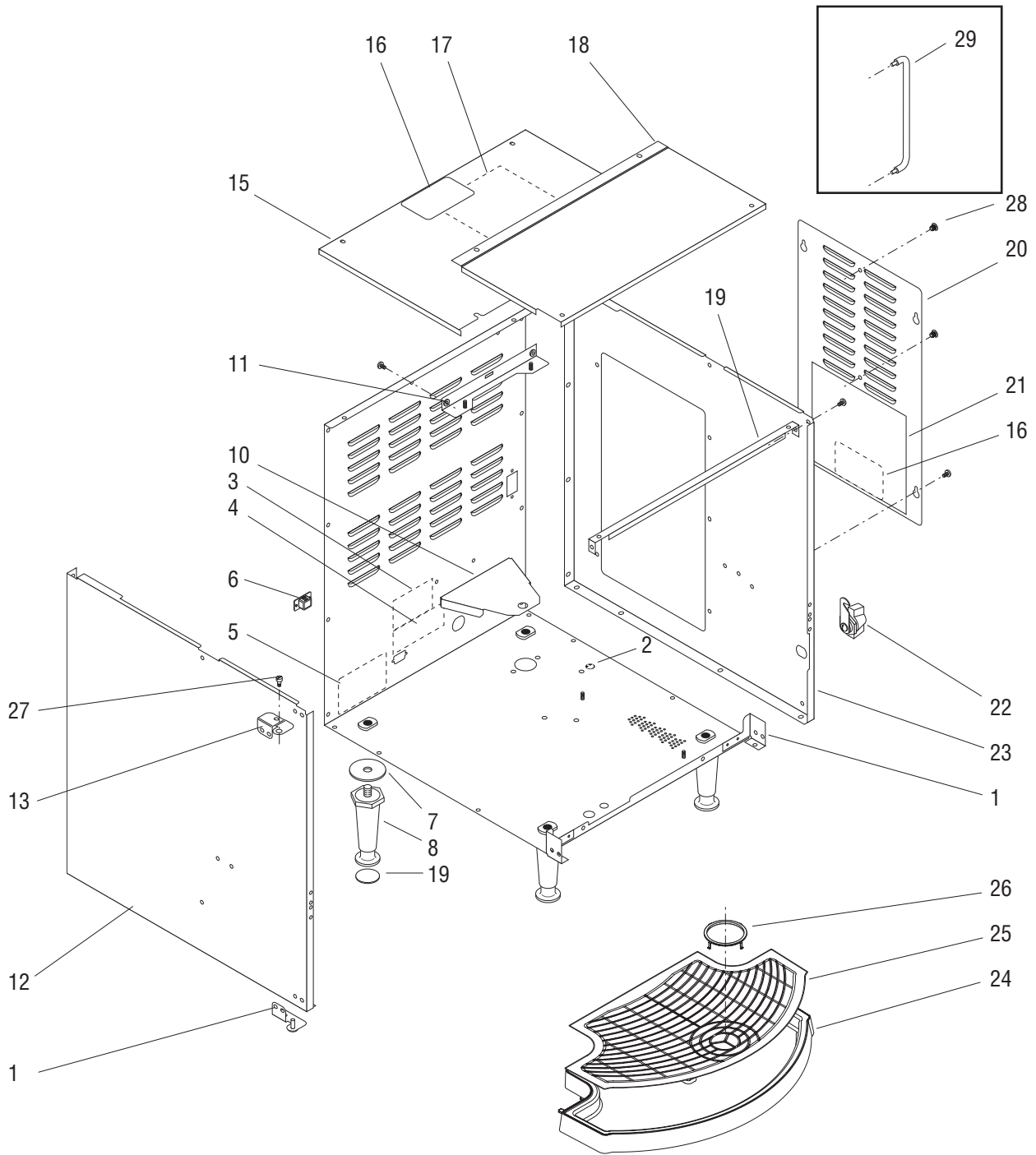
THE BUYER'S REMEDY AGAINST BUNN FOR THE BREACH OF ANY OBLIGATION ARISING OUT OF THE SALE OF THIS EQUIPMENT, WHETHER DERIVED FROM WARRANTY OR OTHERWISE, SHALL BE LIMITED, AT BUNN'S SOLE OPTION AS SPECIFIED HEREIN, TO REPAIR, REPLACEMENT OR REFUND.

In no event shall BUNN be liable for any other damage or loss, including, but not limited to, lost profits, lost sales, loss of use of equipment, claims of Buyer's customers, cost of capital, cost of down time, cost of substitute equipment, facilities or services, or any other special, incidental or consequential damages.

392, A Partner You Can Count On, Air Infusion, AutoPOD, AXIOM, BrewLOGIC, BrewMETER, Brew Better Not Bitter, BrewWISE, BrewWIZARD, BUNN Espresso, BUNN Family Gourmet, BUNN Gourmet, BUNN Pour-O-Matic, BUNN, BUNN with the stylized red line, BUNNlink, Bunn-O-Matic, Bunn-O-Matic, BUNNserve, BUNNSERVE with the stylized wrench design, Cool Froth, DBC, Dr. Brew stylized Dr. design, Dual, Easy Pour, EasyClear, EasyGard, FlavorGard, Gourmet Ice, Gourmet Juice, High Intensity, iMIX, Infusion Series, Intellisteam, My Café, Phase Brew, PowerLogic, Quality Beverage Equipment Worldwide, Respect Earth, Respect Earth with the stylized leaf and coffee cherry design, Safety-Fresh, savemycoffee.com, Scale-Pro, Silver Series, Single, Smart Funnel, Smart Hopper, SmartWAVE, Soft Heat, SplashGard, The Mark of Quality in Beverage Equipment Worldwide, ThermoFresh, Titan, trifacta, TRIFECTA (stylized logo), Velocity Brew, Air Brew, Beverage Bar Creator, Beverage Profit Calculator, Brew better, not bitter., Build-A-Drink, BUNNSource, Coffee At Its Best, Cyclonic Heating System, Daypart, Digital Brewer Control, Element, Milk Texturing Fusion, Nothing Brews Like a BUNN, Picture Prompted Cleaning, Pouring Profits, Signature Series, Sure Tamp, Tea At Its Best, The Horizontal Red Line, Ultra are either trademarks or registered trademarks of Bunn-O-Matic Corporation. The commercial trifacta® brewer housing configuration is a trademark of Bunn-O-Matic Corporation.

TABLE OF CONTENTS

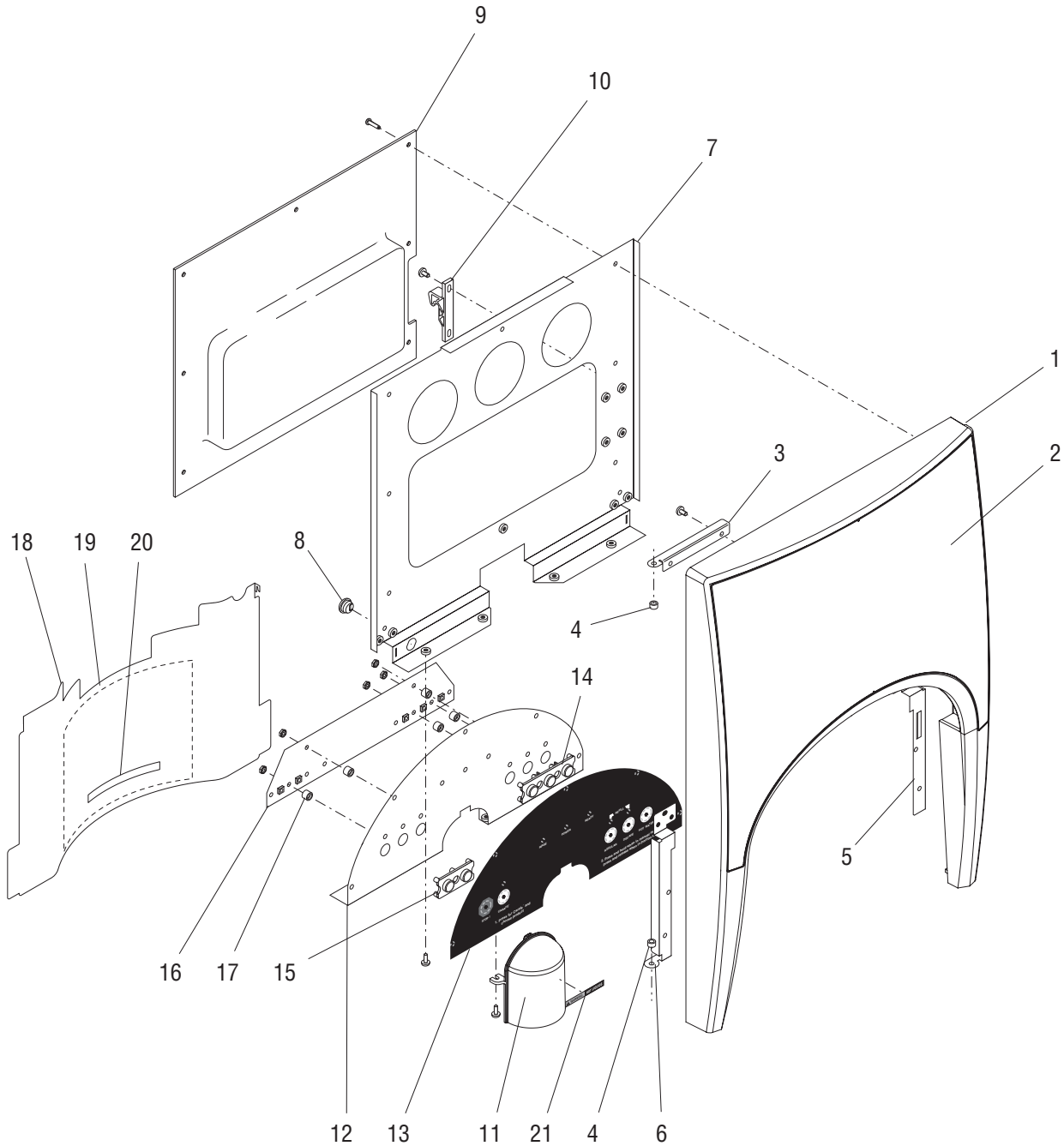
| | |
|---|----|
| Cabinet Assembly | 8 |
| Dispense Valve and Mixing Chamber | 18 |
| Door Assembly | 6 |
| Electrical Components | 20 |
| Housing, Panels & Drip Tray | 4 |
| Numerical Index..... | 22 |
| Pump Assembly..... | 10 |
| Tank Assembly | 16 |
| Water Inlet & Tank Drain (Early Models) | 12 |
| Water Inlet & Tank Drain (Early Models) | 14 |



HOUSING, PANELS AND DRIP TRAY

| ITEM | PART NO. | QTY. | DESCRIPTION |
|------|------------|------|--|
| 1 | 38774.1000 | 1 | Housing w/Decals (Models w/Horton Inlet Valve)(Includes items 2-5) |
| | 41321.1000 | 1 | Housing w/Decals (Models w/Eltek Inlet Valve)(Includes items 2-5) |
| 2 | 00824.0002 | 1 | Decal, Ground Screw |
| 3 | 00986.0002 | 1 | Decal, Warning - Electrical |
| 4 | 00656.0001 | 1 | Decal, Comply to Plumbing Code |
| 5 | ----- | 1 | Machine Data Plate (Not serviced) |
| 6 | 36398.0000 | 1 | Plug, BunnLink Access (Not used in all applications) |
| 7 | 01526.0001 | 4 | Washer |
| 8 | 26528.0000 | 4 | Leg |
| 9 | 03996.0000 | 4 | Pad, Non-skid |
| 10 | 36941.0000 | 1 | Bracket, Lower Tank Mount |
| | 01315.0005 | 2 | Screw, Truss Head BLK #8-32 x .38" |
| 11 | 34118.0001 | 1 | Bracket, Upper Tank Mount |
| | 01315.0005 | 2 | Screw, Truss Head BLK #8-32 x .38" |
| 12 | 37708.0003 | 1 | Panel, Left Side |
| | 01315.0005 | 7 | Screw, Truss Head BLK #8-32 x .38" |
| 13 | 37578.0001 | 1 | Hinge Bracket, Upper |
| | 01315.0005 | 3 | Screw, Truss Head BLK #8-32 x .38" |
| 14 | 37716.0001 | 1 | Hinge Bracket, Lower |
| | 01315.0005 | 3 | Screw, Truss Head BLK #8-32 x .38" |
| 15 | 36945.1000 | 1 | Top Cover w/Decals, Rear (Includes items 16 & 17) |
| | 01315.0005 | 2 | Screw, Truss Head BLK #8-32 x .38" |
| 16 | 37881.0000 | 2 | Decal, No Serviceable Parts |
| 17 | 25151.0008 | 1 | Shield, Insulator |
| 18 | 36938.0001 | 1 | Top Cover, Front |
| | 01315.0005 | 4 | Screw, Truss Head BLK #8-32 x .38" |
| 19 | 36944.0000 | 1 | Bracket |
| | 01315.0005 | 1 | Screw, Truss Head BLK #8-32 x .38" |
| 20 | 42442.1001 | 1 | Panel w/Decals, Access (Includes items 16 & 21) |
| | 01315.0005 | 4 | Screw, Truss Head BLK #8-32 x .38" |
| 21 | 37921.0002 | 1 | Electrical Schematic 120V |
| 22 | 34472.0000 | 1 | Lock Assembly (Includes Keys) |
| | 28095.0000 | 1 | Key Set |
| 23 | 37589.0003 | 1 | Panel, Right Side |
| | 01315.0005 | 10 | Screw, Truss Head BLK #8-32 x .38" |
| 24 | 37846.1000 | 1 | Drip Tray |
| 25 | 38185.1000 | 1 | Cover Assy, Drip Tray (Includes item 29) |
| 26 | 38047.1000 | 1 | Cup Locator Ring |
| 27 | 29504.0004 | 1 | Screw, Shoulder #8-32 x .38" Lkg |
| 28 | 36149.0000 | 2 | Fastener |
| 29 | 12249.1002 | 1 | Guide Rail Kit (Includes nuts)(Optional Equipment) |

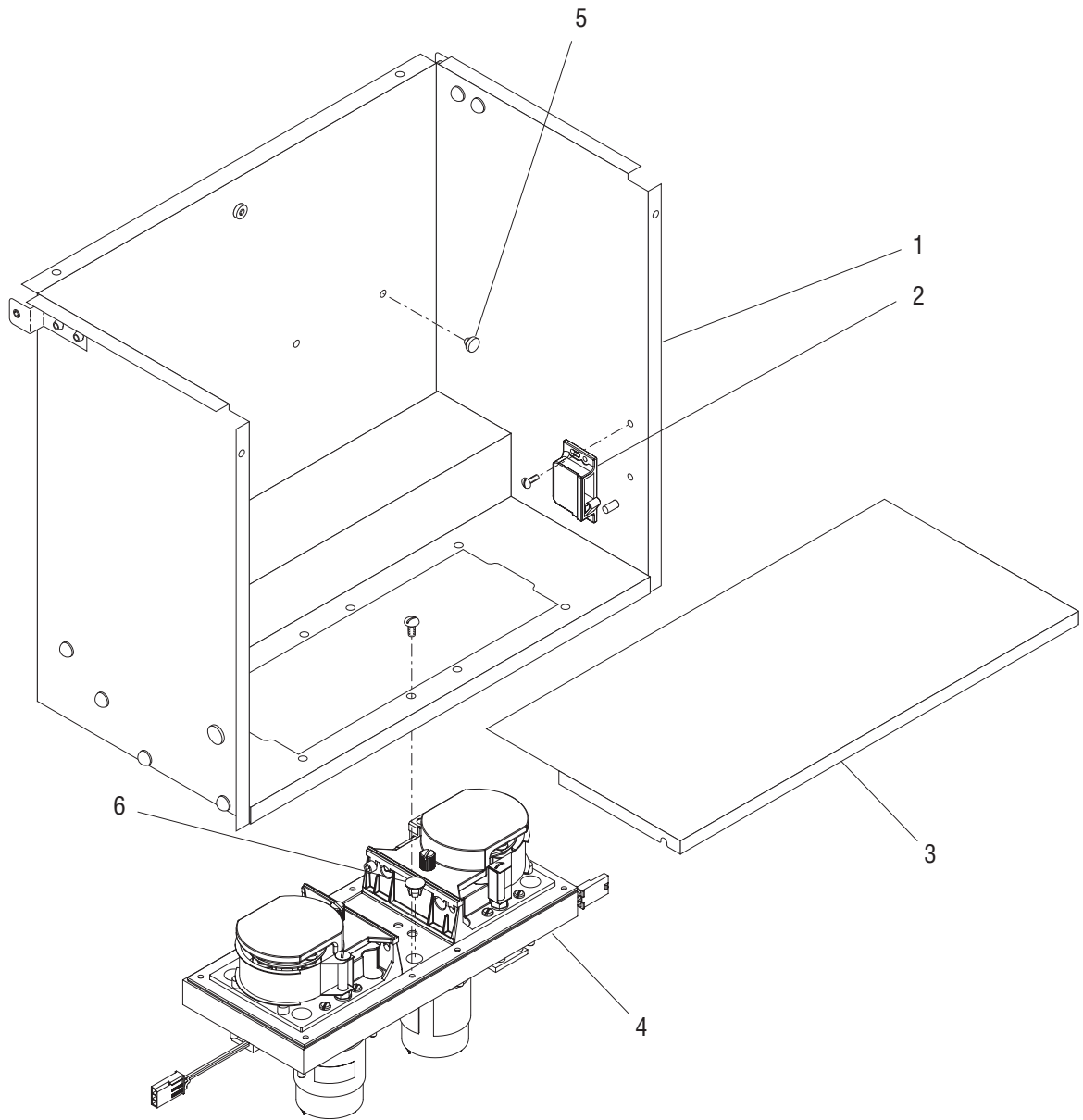
* Indicates the part number listed is for reference only. See DESCRIPTION for possible service replacement.



DOOR ASSEMBLY

| ITEM | PART NO. | QTY. | DESCRIPTION |
|------|------------|------|---|
| - | 37826.1004 | 1 | Door Assembly (Includes items 1 - 17 & 22) |
| 1 | 37438.1002 | 1 | Door w/Decals (Includes item 2) |
| 2 | 37833.0001 | 1 | Decal, Door Graphic |
| 3 | 38072.0000 | 1 | Hinge, Top Door |
| | 44224.0000 | 2 | Screw, Pan Head, Phillips #6-20 x .38" |
| 4 | 37825.0000 | 2 | Spacer |
| 5 | 37690.0000 | 1 | Bracket, Door Lock Right |
| | 38838.0000 | 4 | Screw, Pan Head, Phillips #6 x .625" |
| | 01382.0000 | 1 | Screw, Truss Head #8 x .38" |
| 6 | 37446.0000 | 1 | Hinge, Bottom Door |
| | 38838.0000 | 4 | Screw, Pan Head, Phillips #6 x .625" |
| | 01382.0000 | 1 | Screw, Truss Head #8 x .38" |
| 7 | 37442.0001 | 1 | Bracket, Door Support |
| 8 | 04822.0000 | 1 | Bushing, Strain Relief |
| 9 | 38795.0000 | 1 | Liner, Inner Door |
| | 38838.0000 | 7 | Screw, Pan Head, Phillips #6 x .625" |
| | 01382.0000 | 1 | Screw, Truss Head #8 x .38" |
| 10 | 34667.0000 | 1 | Keeper, Door Latch |
| | 01315.0000 | 2 | Screw, Truss Head #8 x .38" |
| 11 | 38794.1000 | 1 | Cover W/Decal, Dispense Nozzle (Includes item 21) |
| | 21717.0000 | 2 | Screw, Pan Head, Std #6-32 x .375" |
| 12 | 37440.1000 | 1 | Panel w/Decals (Includes item 13) |
| | 44224.0000 | 5 | Screw, Pan Head, Phillips #6-20 x .38" |
| | 01382.0000 | 4 | Screw, Truss Head #8 x .38" |
| 13 | 37585.0000 | 1 | Decal, Control Panel |
| 14 | 34387.0001 | 1 | Cover, Push Button 3 Switch |
| 15 | 34387.0000 | 1 | Cover, Push Button 2 Switch |
| 16 | 39008.1000 | 1 | Circuit Board |
| 17 | 37828.0000 | 5 | Spacer |
| | 00970.0000 | 5 | Nut, Keps #8-32 |
| 18 | 37444.1001 | 1 | Panel, Splash w/Decals (Includes items 19 & 21) |
| | 38838.0000 | 2 | Screw, Pan Head, Phillips #6 x .625" |
| 19 | 38792.0000 | 1 | Decal, Cleaning |
| 20 | 11646.0002 | 1 | Decal, Warning - Hot Liquid (English/French) |
| 21 | 37280.0000 | 1 | Decal, Warning - Hot Liquid |
| 22 | 37916.0000 | 1 | Wiring Harness, Door Interconnect (Not illustrated) |

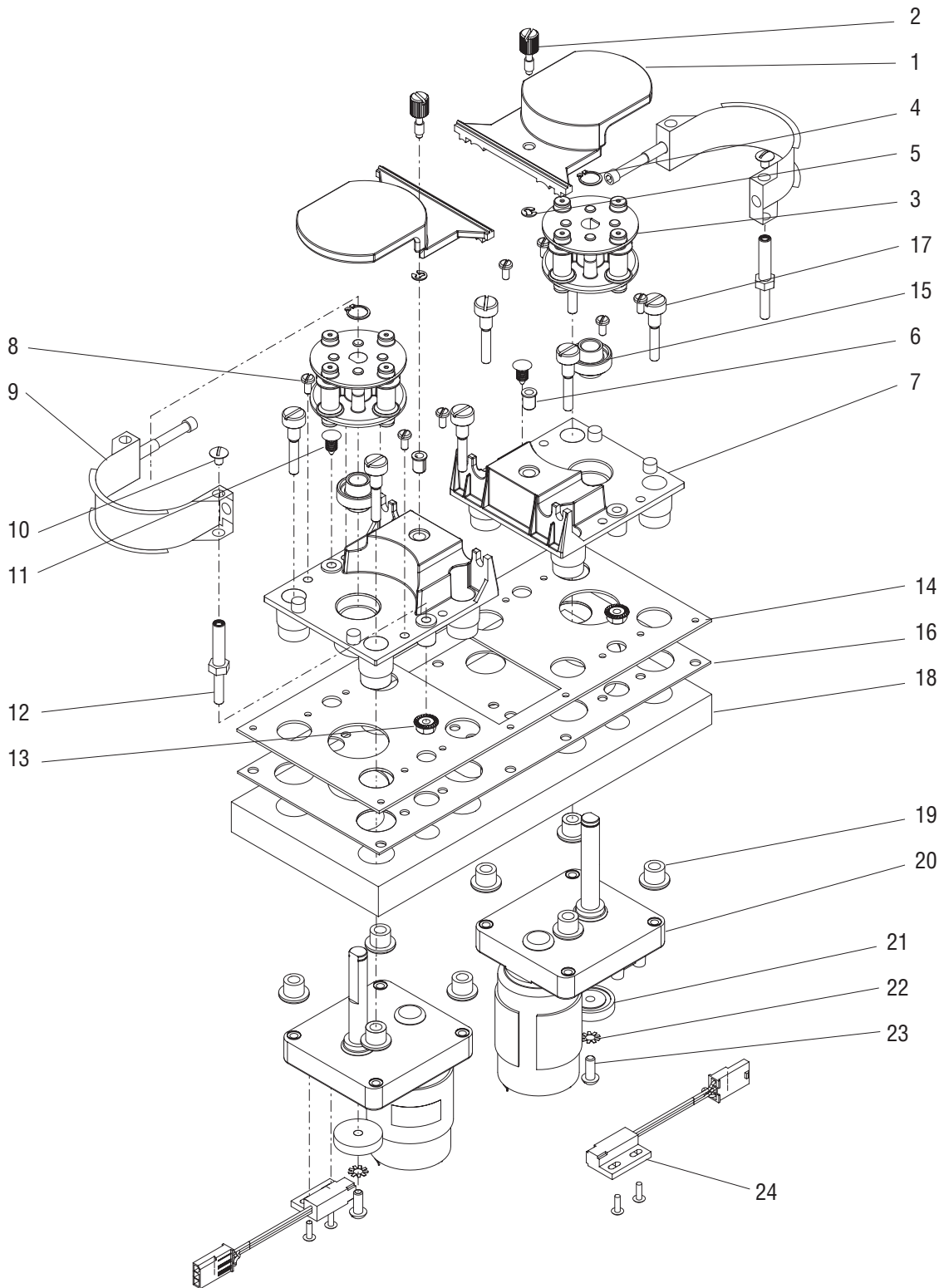
* Indicates the part number listed is for reference only. See DESCRIPTION for possible service replacement.



CABINET ASSEMBLY

| ITEM | PART NO. | QTY. | DESCRIPTION |
|------|-------------|------|---------------------------------|
| 1 | 38785.1000 | 1 | Cabinet Assy (Includes item 2) |
| 2 | 34666.0001 | 1 | Catch, Door Latch |
| | 48817.0000 | 2 | Screw, Pan Head #4-40 x .50" |
| 3 | 38793.0001* | 1 | Platform, Product |
| 4 | ----- | 1 | Pump Assy (See PUMP ASSEMBLY) |
| | 01315.0000 | 8 | Screw, Truss Head #8 x .38" |
| 5 | 34340.1000 | 1 | Button Kit (Includes 4 Buttons) |
| 6 | 40204.0000 | 1 | Plug |

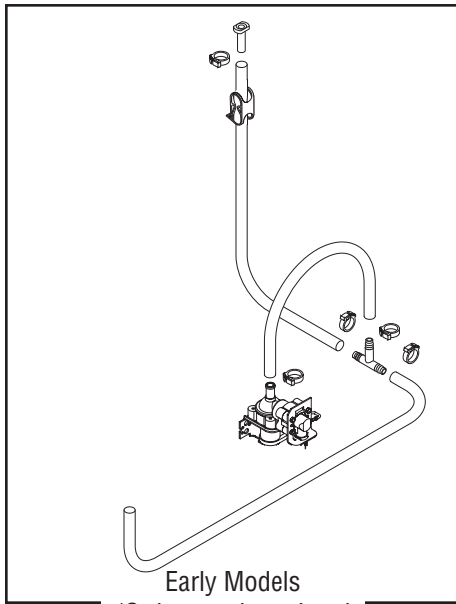
* Indicates the part number listed is for reference only. See DESCRIPTION for possible service replacement.



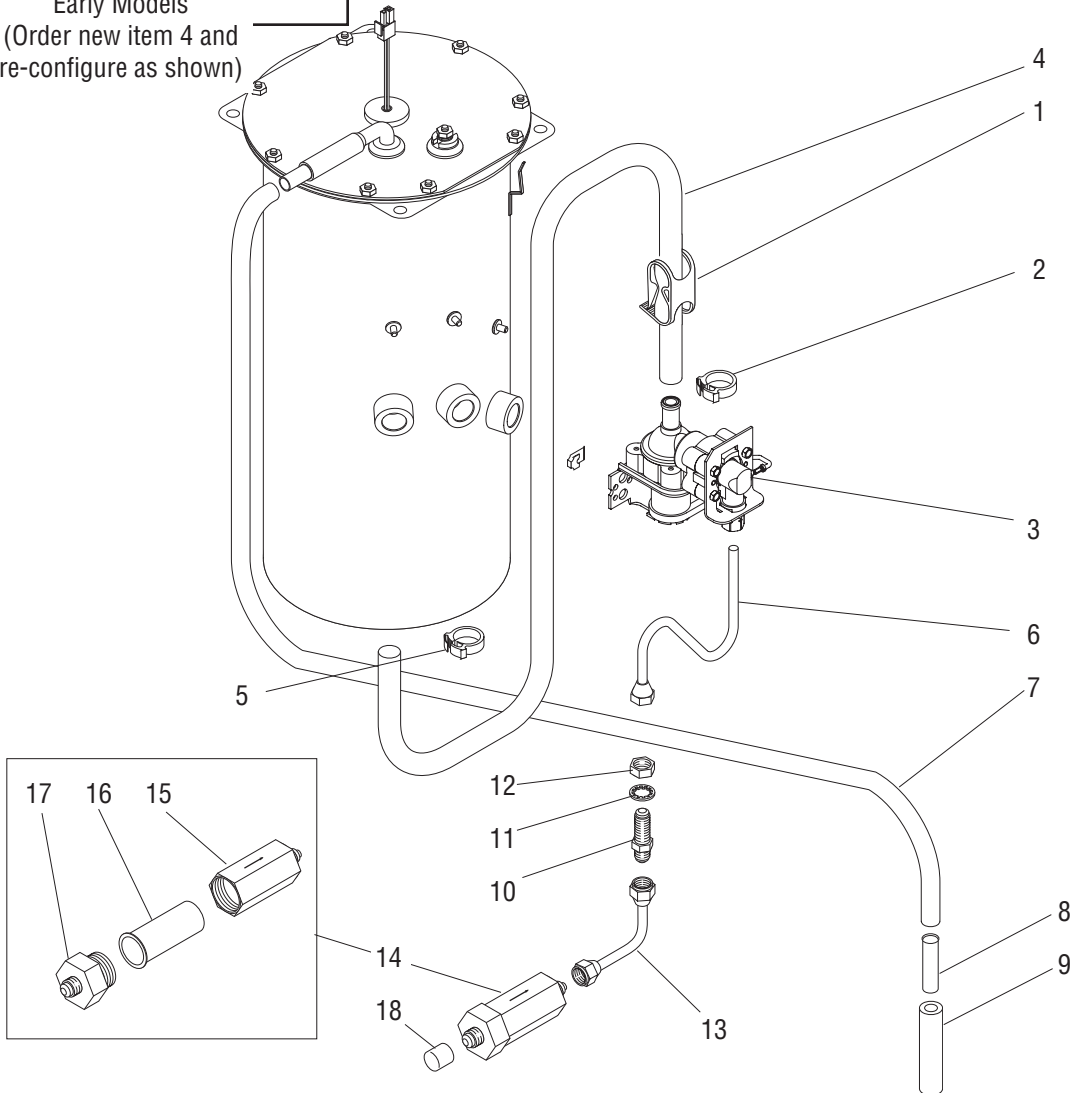
PUMP ASSEMBLY

| ITEM | PART NO. | QTY. | DESCRIPTION |
|------|------------|------|--|
| - | 37829.1000 | 1 | Pump Assy (Includes items 1 thru 24) |
| 1 | 34167.0000 | 2 | Cover, Pump Block |
| 2 | 34997.0000 | 2 | Thumb Screw |
| 3 | 32706.1000 | 2 | Rotor |
| 4 | 32652.0000 | 2 | Retaining Ring |
| 5 | 34998.0000 | 2 | Retaining Ring |
| 6 | 32928.0000 | 2 | Insert, Threaded |
| 7 | 34166.1002 | 2 | Block Assy, Pump (Includes items 6 & 15) |
| 8 | 02328.0003 | 8 | Screw, Pan Head #6-32 x .312" |
| 9 | 40030.1000 | 2 | Compression Band Assy |
| 10 | 01311.0001 | 2 | Screw, Truss Head #8-32 x .25" Locking |
| 11 | 36149.0000 | 2 | Fastener |
| 12 | 32609.0000 | 2 | Standoff |
| 13 | 34765.0000 | 2 | Nut, Flanged #10-32 |
| 14 | 40050.0001 | 1 | Gasket |
| 15 | 33825.0000 | 2 | Bearing |
| 16 | 36928.0000 | 1 | Bracket, Pump Mounting |
| 17 | 32927.0000 | 8 | Screw, Shoulder #10-32 UNC |
| 18 | 37580.0000 | 1 | Insulation, Pump |
| 19 | 32957.0000 | 8 | Bushing |
| 20 | 34536.0001 | 2 | Motor |
| 21 | 32654.0000 | 2 | Magnet Hub |
| 22 | 01512.0000 | 2 | Lockwasher, External-tooth #10 |
| 23 | 01331.0004 | 2 | Screw, Round Head, Locking #10-32 |
| 24 | 33608.1000 | 2 | Sensor, RPM |
| | 02336.0000 | 4 | Screw, Truss Head #4-40 x .38" |
| 25 | 00617.0000 | 1 | Cable Tie (Not Illustrated) |

* Indicates the part number listed is for reference only. See DESCRIPTION for possible service replacement.



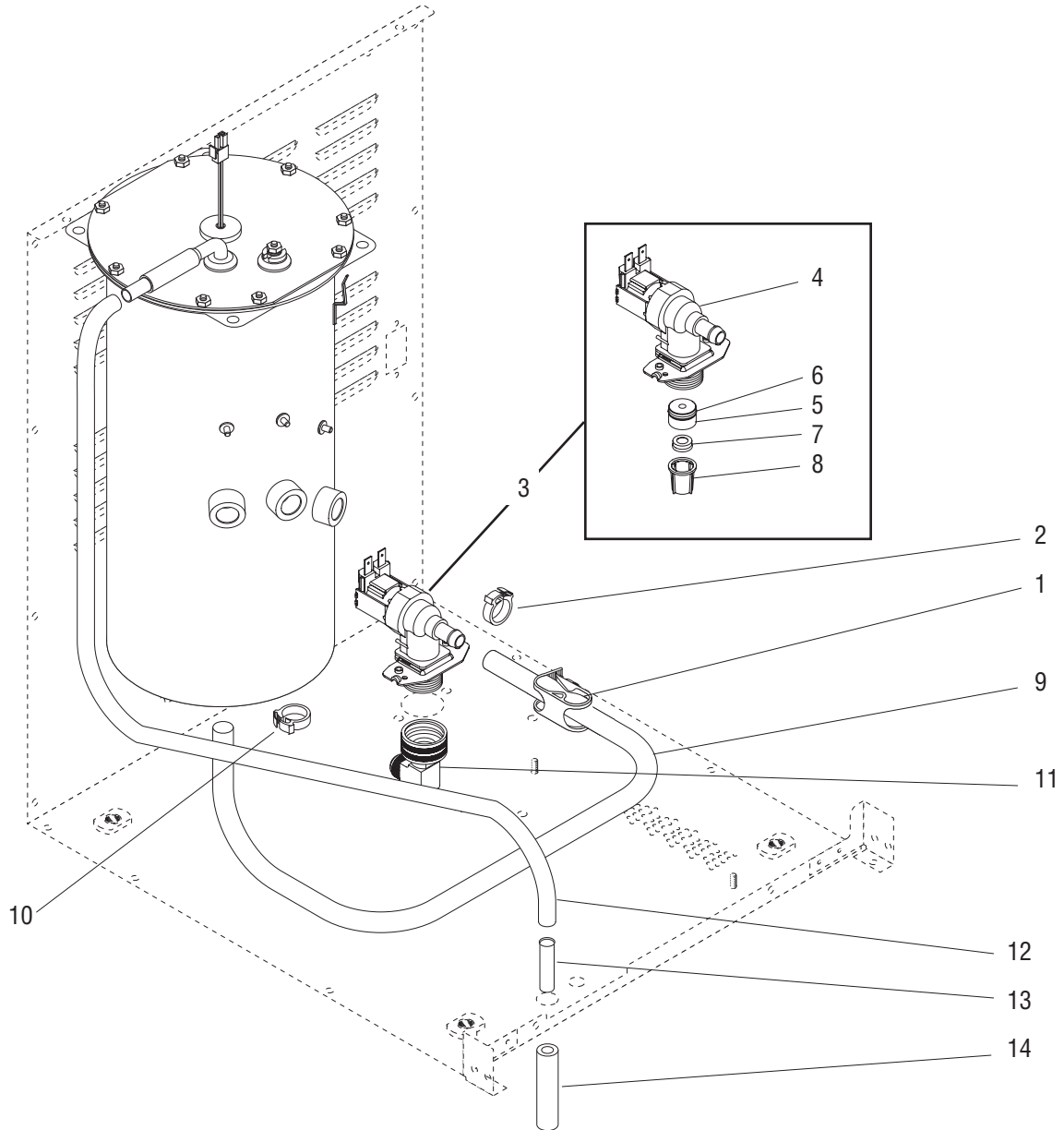
Early Models
(Order new item 4 and
re-configure as shown)



WATER INLET & TANK DRAIN (Early Models)

| ITEM | PART NO. | QTY. | DESCRIPTION |
|------|-------------|------|--|
| 1 | 11630.0001 | 1 | Clamp, Shut off |
| 2 | 12422.0001 | 1 | Clamp .59/.66" ID |
| 3 | 26135.0005 | 1 | Valve (Horton), Water Inlet 120V |
| | 26135.0006 | 1 | Valve (Horton), Water Inlet 208-240V |
| | 01315.0005 | 2 | Screw, Truss Head BLK #8-32 x .38" |
| | 00938.0000 | 2 | Fastener, U-type #8-32 |
| 4 | 28526.0000* | 1 | Tube, Silicone .313" ID x 11.5" (Order item 19) |
| 5 | 12422.0006 | 1 | Clamp .53/.59" ID |
| 6 | 26661.0000 | 1 | Tube, Water Inlet |
| 7 | 28526.0009* | 1 | Tube, Silicone .313" ID x 24.0" (Order item 19) |
| 8 | 21801.0002 | 1 | Tube, SST .375" O.D. x 1.50" |
| 9 | 28526.0029* | 1 | Tube, Silicone .313" I.D. x .50" (Order item 19) |
| 10 | 00459.0000 | 1 | Fitting, Bulkhead |
| 11 | 01532.0000 | 1 | Lockwasher, Internal tooth .438" |
| 12 | 00463.0000 | 1 | Nut, Hex .438"-20 |
| 13 | 21814.0016 | 1 | Tube |
| 14 | 23820.1000 | 1 | Strainer Assy (Includes items 15 - 17) |
| 15 | 23819.0000* | 1 | Body (Order item 14) |
| 16 | 23721.0000 | 1 | Screen |
| 17 | 22249.0000 | 1 | Cap, End |
| 18 | 12919.0005 | 1 | Cap (For shipping purposes only) |
| 19 | 28526.1000 | - | Tube, Silicone .313" ID x 12.0" (Use as required) |
| | 28526.1001 | - | Tube, Silicone .313" ID x 36.0" (Use as required) |
| | 28526.1002 | - | Tube, Silicone .313" ID x 60.0" (Use as required) |
| | 28526.1003 | - | Tube, Silicone .313" ID x 120.0" (Use as required) |

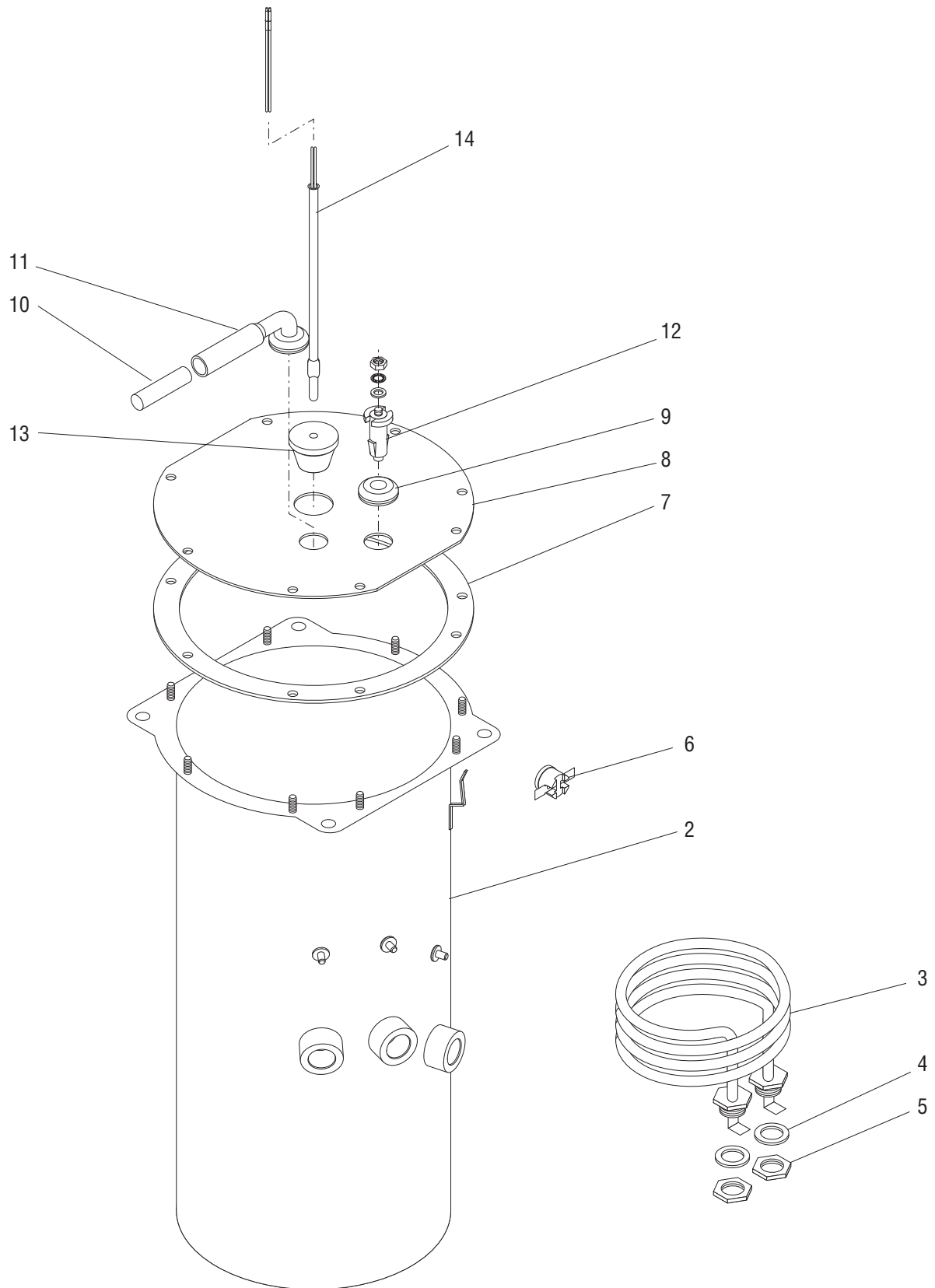
* Indicates the part number listed is for reference only. See DESCRIPTION for possible service replacement.



WATER INLET & TANK DRAIN (Late Models)

| ITEM | PART NO. | QTY. | DESCRIPTION |
|------|-------------|------|---|
| 1 | 11630.0001 | 1 | Clamp, Shut off |
| 2 | 12422.0001 | 1 | Clamp .59/.66" ID |
| 3 | 40506.0006 | 1 | Valve (Eltek), Water Inlet 120V (Includes items 4 thru 8) |
| | 40506.0007 | 1 | Valve (Eltek), Water Inlet 208-240V (Includes items 4 thru 8) |
| | 32283.0000 | 2 | Screw, Pan Head BLK M4 x .6mm |
| 4 | 36233.0000 | 1 | Valve 120V |
| | 36233.0001 | 1 | Valve 240V |
| 5 | 40056.0004 | 1 | Housing, Flow Control |
| 6 | 33725.0000 | 1 | O-ring |
| 7 | 37857.1750 | 1 | Flow Control |
| 8 | ----- | 1 | Screen |
| 9 | 28526.0000* | 1 | Tube, Silicone .313" ID x 11.5" (Order item 15) |
| 10 | 12422.0006 | 1 | Clamp .53/.59" ID |
| 11 | 37297.0006 | 1 | Fitting, Elbow .375" FI |
| 12 | 28526.0009* | 1 | Tube, Silicone .313" ID x 24.0" (Order item 15) |
| 13 | 21801.0002 | 1 | Tube, SST .375" O.D. x 1.50" |
| 14 | 28526.0029* | 1 | Tube, Silicone .313" I.D. x .50" (Order item 15) |
| 15 | 28526.1000 | - | Tube, Silicone .313" ID x 12.0" (Use as required) |
| | 28526.1001 | - | Tube, Silicone .313" ID x 36.0" (Use as required) |
| | 28526.1002 | - | Tube, Silicone .313" ID x 60.0" (Use as required) |
| | 28526.1003 | - | Tube, Silicone .313" ID x 120.0" (Use as required) |

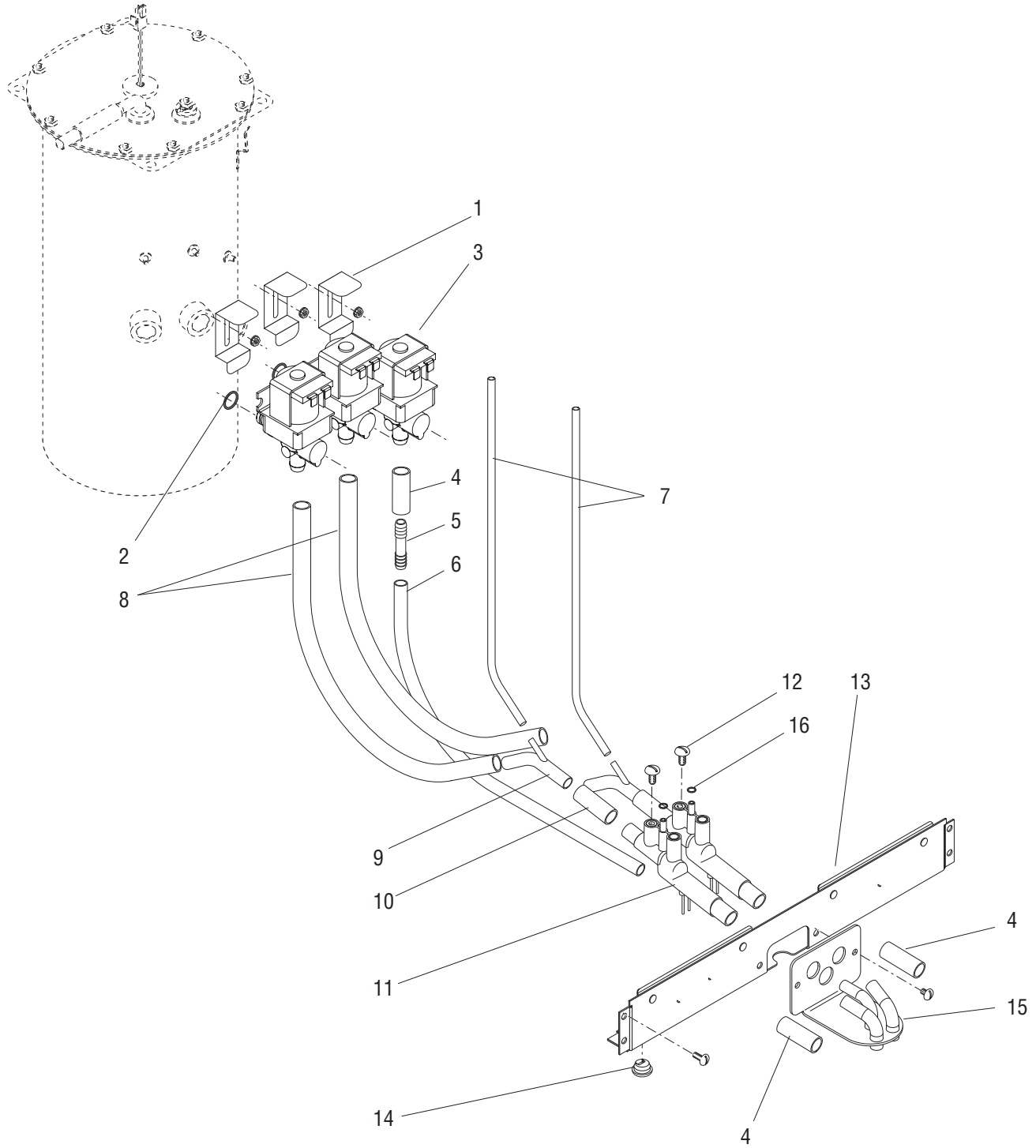
* Indicates the part number listed is for reference only. See DESCRIPTION for possible service replacement.



TANK ASSEMBLY

| ITEM | PART NO. | QTY. | DESCRIPTION |
|------|------------|------|---|
| - | 37812.1000 | 1 | Tank Assy 120V (Includes item 1 - 14) |
| | 00970.0000 | 3 | Nut, Keps #8-32 |
| 1 | 36934.0000 | 1 | Insulation, Tank (Not illustrated) |
| 2 | 36931.0000 | 1 | Tank |
| 3 | 02755.1000 | 1 | Tank Heater 1425W, 120V (Includes item 4) |
| 4 | 00943.0000 | 2 | Gasket |
| 5 | 00942.0000 | 2 | Nut, Hex .50"-20 |
| 6 | 29329.0001 | 1 | Limit Thermostat |
| 7 | 04221.0000 | 1 | Gasket, Tank Lid |
| 8 | 28735.0000 | 1 | Tank Lid |
| | 00908.0000 | 8 | Nut, Hex #8-32 |
| 9 | 02536.0000 | 1 | Grommet |
| 10 | 21801.0002 | 1 | Tube, SST .375" O.D. x 1.50" |
| 11 | 38969.0001 | 1 | Fitting, Air Vent |
| 12 | 07412.1002 | 1 | Probe Kit, Liquid Level (Includes hardware below) |
| | 00908.0000 | 1 | Nut, Hex #8-32 |
| | 20203.0100 | 1 | Lockwasher, Internal tooth #8 |
| | 01501.0000 | 1 | Washer |
| 13 | 33801.0003 | 1 | Grommet |
| 14 | 41179.1000 | 1 | Probe, Temperature |

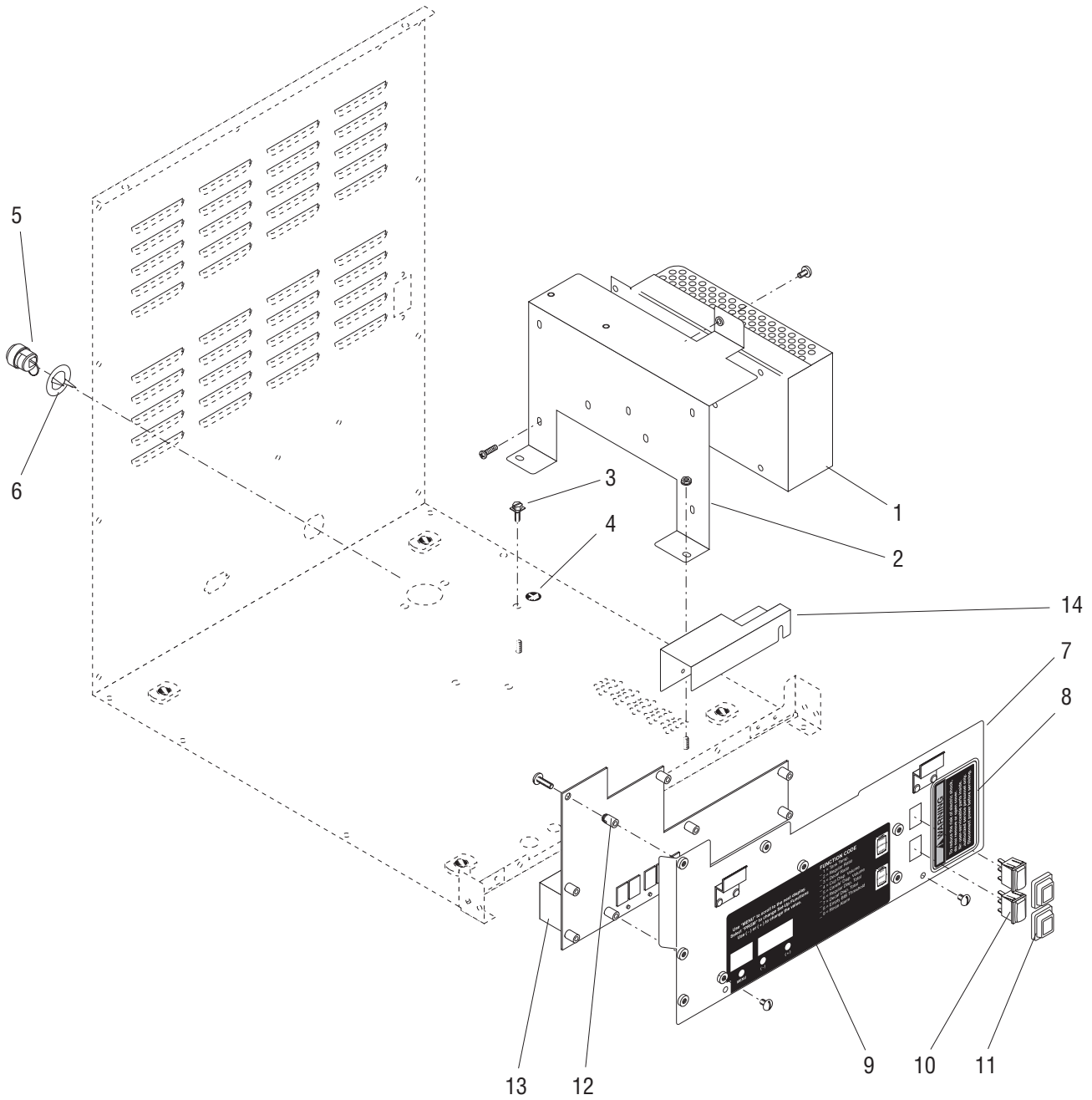
* Indicates the part number listed is for reference only. See DESCRIPTION for possible service replacement.



DISPENSE VALVE & MIXING CHAMBER

| ITEM | PART NO. | QTY. | DESCRIPTION |
|------|-------------|------|--|
| 1 | 29576.0000 | 3 | Bracket, Valve Retaining |
| | 00970.0000 | 3 | Nut, Keps #8-32 |
| 2 | 24733.0011 | 3 | O-ring |
| 3 | 32345.1000 | 3 | Valve, Dispense 120V |
| 4 | 20976.0062* | 3 | Tube, Silicone .375" ID x 1.75" (Order item 17) |
| 5 | 34644.0000 | 1 | Connector |
| 6 | 11707.0010* | 1 | Tube, Silicone .25" ID x 16.0" (Order item 18) |
| 7 | 36630.0001* | 2 | Tube, Silicone .125" ID x 20.0" (Order item 19) |
| 8 | 28526.0000* | 2 | Tube, Silicone .313" ID x 11.5" (Order item 20) |
| 9 | 37858.0000 | 2 | Elbow, 45° |
| 10 | 20976.0072* | 2 | Tube, Silicone .375" ID x 1.5" (Order item 17) |
| 11 | 37854.1000 | 2 | Mixing Chamber Assy (Includes item 16) |
| 12 | 01326.0000 | 2 | Screw, Truss Head #10-32 x .25" |
| 13 | 38786.0000 | 1 | Bracket, Lower Cabinet |
| | 01315.0005 | 4 | Screw, Truss Head BLK #8-32 x .38" |
| 14 | 04822.0000 | 1 | Bushing, Strain Relief |
| 15 | 37807.0000 | 1 | Bracket, Dispense Nozzle |
| | 01315.0000 | 2 | Screw, Truss Head #8-32 x .375" |
| 16 | 40188.0000 | 2 | O-ring |
| 17 | 20976.1000 | - | Tube, Silicone .375" ID x 12.0" (Use as required) |
| | 20976.1001 | - | Tube, Silicone .375" ID x 36.0" (Use as required) |
| | 20976.1002 | - | Tube, Silicone .375" ID x 120.0" (Use as required) |
| 18 | 11707.1000 | - | Tube, Silicone .25" ID x 12.0" (Use as required) |
| | 11707.1001 | - | Tube, Silicone .25" ID x 36.0" (Use as required) |
| | 11707.1002 | - | Tube, Silicone .25" ID x 120.0" (Use as required) |
| 19 | 36630.1001 | - | Tube, Silicone .125" ID x 36.0" (Use as required) |
| 20 | 28526.1000 | - | Tube, Silicone .313" ID x 12.0" (Use as required) |
| | 28526.1001 | - | Tube, Silicone .313" ID x 36.0" (Use as required) |
| | 28526.1002 | - | Tube, Silicone .313" ID x 60.0" (Use as required) |
| | 28526.1003 | - | Tube, Silicone .313" ID x 120.0" (Use as required) |

* Indicates the part number listed is for reference only. See DESCRIPTION for possible service replacement.



ELECTRICAL COMPONENTS

| ITEM | PART NO. | QTY. | DESCRIPTION |
|--|------------|------|---|
| 1 | 33363.0004 | 1 | Power Supply Module |
| | 32283.0000 | 3 | Screw, Pan Head M4 x 6.0 mm |
| 2 | 37851.0000 | 1 | Bracket |
| | 00970.0000 | 2 | Nut, Keps #8-32 |
| | 01315.0005 | 1 | Screw, Truss Head BLK #8-32 x .38" |
| 3 | 01309.0000 | 1 | Screw, Grounding 120V |
| 4 | 00824.0002 | 1 | Decal, Ground Screw |
| 5 | 00713.0000 | 1 | Bushing, Strain Relief 120V |
| 6 | 00715.0000 | 1 | Adapter Washer, Strain Relief 120V |
| 7 | 38771.1000 | 1 | Bracket w/Decals, Circuit Board Mounting (Includes items 8 & 9) |
| | 01311.0000 | 2 | Screw, Truss Head #8-32 x .25" |
| 8 | 37881.0000 | 1 | Decal, No Serviceable Parts |
| 9 | 37911.0001 | 1 | Decal, Main Circuit Board Panel |
| 10 | 27437.0001 | 2 | Switch |
| 11 | 34390.0000 | 2 | Cap, Rocker Switch |
| 12 | 29081.0001 | 8 | Spacer |
| 13 | 38726.1007 | 1 | Circuit Board, Main |
| | 01390.0000 | 7 | Screw, Round Head #8-32 x .62" |
| 14 | 46353.1001 | 1 | Shield Kit |
| Items listed below are not illustrated | | | |
| 15 | 37775.0000 | 1 | Wiring Harness, Main 120V |
| 16 | 20630.0008 | 1 | Power Cord 120V |
| 17 | 00603.0000 | 1 | Clamp |
| | 01370.0000 | 1 | Screw, Pan Head, Slt'd 8-32 x .75" |
| 18 | 00617.0000 | 1 | Cable Tie |

* Indicates the part number listed is for reference only. See DESCRIPTION for possible service replacement.

NUMERICAL INDEX

| PART NO. | PAGE NO. | PART NO. | PAGE NO. | PART NO. | PAGE NO. | PART NO. | PAGE NO. |
|------------|------------|------------|----------|------------|----------|------------|----------|
| 00459.0000 | 13 | 21814.0016 | 13 | 36233.0001 | 15 | 38969.0001 | 17 |
| 00463.0000 | 13 | 22249.0000 | 13 | 36398.0000 | 5 | 39008.1000 | 7 |
| 00603.0000 | 21 | 23721.0000 | 13 | 36630.0001 | 19 | 40030.1000 | 11 |
| 00617.0000 | 11,21 | 23819.0000 | 13 | 36630.1001 | 19 | 40050.0001 | 11 |
| 00656.0000 | 5 | 23820.1000 | 13 | 36928.0000 | 11 | 40056.0004 | 15 |
| 00713.0000 | 21 | 24733.0011 | 19 | 36931.0000 | 17 | 40188.0000 | 19 |
| 00715.0000 | 21 | 25151.0008 | 5 | 36934.0000 | 17 | 40204.0000 | 9 |
| 00824.0000 | 5,21 | 26135.0005 | 13 | 36938.0001 | 5 | 40506.0006 | 15 |
| 00908.0000 | 17 | 26135.0006 | 13 | 36941.0000 | 5 | 40506.0007 | 15 |
| 00938.0000 | 13 | 26528.0000 | 5 | 36944.0000 | 5 | 41179.1000 | 17 |
| 00942.0000 | 17 | 26661.0000 | 13 | 36945.1000 | 5 | 41321.1000 | 5 |
| 00943.0000 | 17 | 27437.0001 | 21 | 37280.0000 | 7 | 42442.1001 | 5 |
| 00970.0000 | 7,17,19,21 | 28095.0000 | 5 | 37297.0006 | 15 | 44224.0000 | 7 |
| 00986.0002 | 5 | 28526.0000 | 13,15,17 | 37438.1002 | 7 | 46353.1001 | 21 |
| 01309.0000 | 21 | 28526.0029 | 13,15 | 37440.1000 | 7 | 48817.0000 | 9 |
| 01311.0000 | 21 | 28526.1000 | 13,15,19 | 37442.0001 | 7 | | |
| 01311.0001 | 11 | 28526.1001 | 13,15,19 | 37444.1001 | 7 | | |
| 01315.0000 | 7,9,19 | 28526.1002 | 13,15,19 | 37446.0000 | 7 | | |
| 01315.0005 | 5,13,19,21 | 28526.1003 | 13,15,19 | 37578.0001 | 5 | | |
| 01326.0000 | 19 | 28735.0000 | 17 | 37580.0000 | 11 | | |
| 01331.0004 | 11 | 29081.0001 | 21 | 37585.0000 | 7 | | |
| 01370.0000 | 21 | 29329.0001 | 17 | 37589.0003 | 5 | | |
| 01382.0000 | 7 | 29504.0004 | 5 | 37690.0000 | 7 | | |
| 01390.0000 | 21 | 29576.0000 | 19 | 37708.0003 | 5 | | |
| 01501.0000 | 17 | 32283.0000 | 15,21 | 37716.0001 | 5 | | |
| 01512.0000 | 11 | 32345.1000 | 19 | 37775.0000 | 21 | | |
| 01526.0001 | 5 | 32609.0000 | 11 | 37807.0000 | 19 | | |
| 01532.0000 | 13 | 32652.0000 | 11 | 37812.1000 | 17 | | |
| 02328.0003 | 11 | 32654.0000 | 11 | 37825.0000 | 7 | | |
| 02336.0000 | 11 | 32706.1000 | 11 | 37826.1004 | 7 | | |
| 02536.0000 | 17 | 32927.0000 | 11 | 37828.0000 | 7 | | |
| 02755.1000 | 17 | 32928.0000 | 11 | 37829.1000 | 11 | | |
| 03996.0000 | 5 | 32957.0000 | 11 | 37833.0001 | 7 | | |
| 04221.0000 | 17 | 33363.0004 | 21 | 37846.1000 | 5 | | |
| 04822.0000 | 7,19 | 33608.1000 | 11 | 37851.0000 | 21 | | |
| 07412.1002 | 17 | 33725.0000 | 15 | 37854.1000 | 19 | | |
| 11630.0001 | 13,15 | 33801.0003 | 17 | 37857.1750 | 15 | | |
| 11646.0002 | 7 | 33825.0000 | 11 | 37858.0000 | 19 | | |
| 11707.0010 | 19 | 34118.0001 | 5 | 37881.0000 | 5,21 | | |
| 11707.1000 | 19 | 34166.1002 | 11 | 37911.0001 | 21 | | |
| 11707.1001 | 19 | 34167.0000 | 11 | 37916.0000 | 7 | | |
| 11707.1002 | 19 | 34340.1000 | 9 | 37921.0002 | 5 | | |
| 12249.1002 | 5 | 34387.0000 | 7 | 38047.1000 | 5 | | |
| 12422.0001 | 13,15 | 34387.0001 | 7 | 38072.0000 | 7 | | |
| 12422.0006 | 13,15 | 34390.0000 | 21 | 38185.1000 | 5 | | |
| 12919.0005 | 13 | 34472.0000 | 5 | 38226.1007 | 21 | | |
| 20203.0100 | 17 | 34536.0001 | 11 | 38771.1000 | 21 | | |
| 20630.0008 | 21 | 34644.0000 | 19 | 38774.1000 | 5 | | |
| 20976.0062 | 19 | 34666.0001 | 9 | 38785.1000 | 9 | | |
| 20976.0072 | 19 | 34667.0000 | 7 | 38786.0000 | 19 | | |
| 20976.1000 | 19 | 34765.0000 | 11 | 38792.0000 | 7 | | |
| 20976.1001 | 19 | 34997.0000 | 11 | 38793.0001 | 9 | | |
| 20976.1002 | 19 | 34998.0000 | 11 | 38794.1000 | 7 | | |
| 21717.0000 | 7 | 36149.0000 | 5,11 | 38795.0000 | 7 | | |
| 21801.0002 | 13,15,17 | 36233.0000 | 15 | 38838.0000 | 7 | | |