

# **BUNN**<sup>®</sup> ***SINGLE***<sup>®</sup> ***TF DBC***<sup>®</sup> ***W/SMART FUNNEL***<sup>®</sup>



## **ILLUSTRATED PARTS CATALOG**

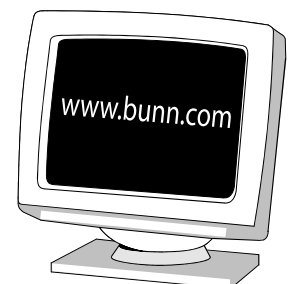
Designs, materials, weights, specifications, and dimensions for equipment or replacement parts are subject to change without notice.

### **BUNN-O-MATIC CORPORATION**

POST OFFICE BOX 3227

SPRINGFIELD, ILLINOIS 62708-3227

PHONE: (217) 529-6601 FAX: (217) 529-6644



## BUNN-O-MATIC COMMERCIAL PRODUCT WARRANTY

Bunn-O-Matic Corp. ("BUNN") warrants equipment manufactured by it as follows:

- 1) Airpots, thermal carafes, decanters, GPR servers, iced tea/coffee dispensers, MCR/MCP/MCA single cup brewers, thermal servers and ThermoFresh® servers (mechanical and digital) 1 year parts and 1 year labor.
- 2) All other equipment - 2 years parts and 1 year labor plus added warranties as specified below:
  - a) Electronic circuit and/or control boards - parts and labor for 3 years.
  - b) Compressors on refrigeration equipment - 5 years parts and 1 year labor.
  - c) Grinding burrs on coffee grinding equipment to grind coffee to meet original factory screen sieve analysis - parts and labor for 4 years or 40,000 pounds of coffee, whichever comes first.

These warranty periods run from the date of installation BUNN warrants that the equipment manufactured by it will be commercially free of defects in material and workmanship existing at the time of manufacture and appearing within the applicable warranty period. This warranty does not apply to any equipment, component or part that was not manufactured by BUNN or that, in BUNN's judgment, has been affected by misuse, neglect, alteration, improper installation or operation, improper maintenance or repair, non periodic cleaning and descaling, equipment failures related to poor water quality, damage or casualty. In addition, the warranty does not apply to replacement of items subject to normal use including but not limited to user replaceable parts such as seals and gaskets. This warranty is conditioned on the Buyer 1) giving BUNN prompt notice of any claim to be made under this warranty by telephone at (217) 529-6601 or by writing to Post Office Box 3227, Springfield, Illinois 62708-3227; 2) if requested by BUNN, shipping the defective equipment prepaid to an authorized BUNN service location; and 3) receiving prior authorization from BUNN that the defective equipment is under warranty.

**THE FOREGOING WARRANTY IS EXCLUSIVE AND IS IN LIEU OF ANY OTHER WARRANTY, WRITTEN OR ORAL, EXPRESS OR IMPLIED, INCLUDING, BUT NOT LIMITED TO, ANY IMPLIED WARRANTY OF EITHER MERCHANTABILITY OR FITNESS FOR A PARTICULAR PURPOSE.** The agents, dealers or employees of BUNN are not authorized to make modifications to this warranty or to make additional warranties that are binding on BUNN. Accordingly, statements by such individuals, whether oral or written, do not constitute warranties and should not be relied upon.

If BUNN determines in its sole discretion that the equipment does not conform to the warranty, BUNN, at its exclusive option while the equipment is under warranty, shall either 1) provide at no charge replacement parts and/or labor (during the applicable parts and labor warranty periods specified above) to repair the defective components, provided that this repair is done by a BUNN Authorized Service Representative; or 2) shall replace the equipment or refund the purchase price for the equipment.

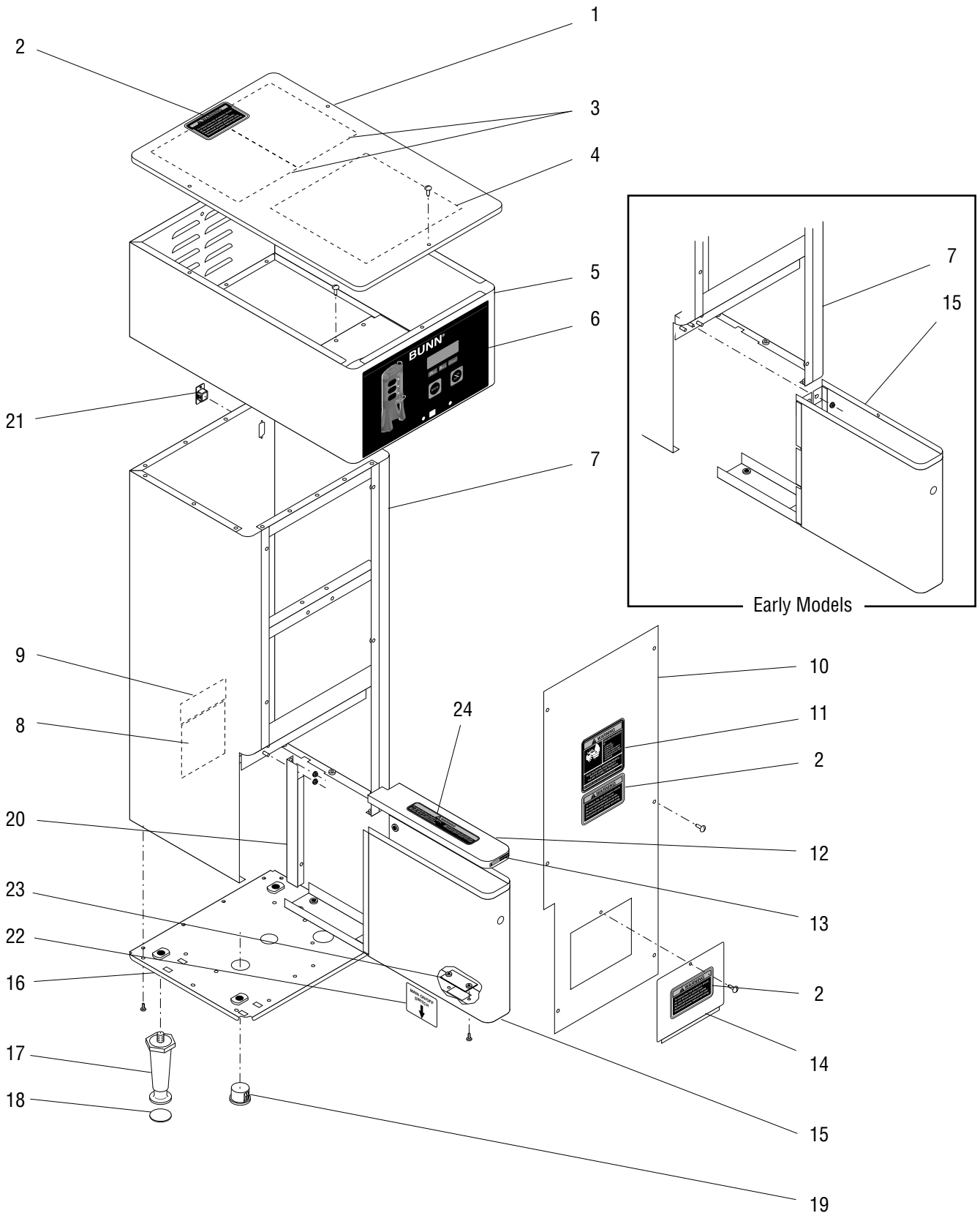
**THE BUYER'S REMEDY AGAINST BUNN FOR THE BREACH OF ANY OBLIGATION ARISING OUT OF THE SALE OF THIS EQUIPMENT, WHETHER DERIVED FROM WARRANTY OR OTHERWISE, SHALL BE LIMITED, AT BUNN'S SOLE OPTION AS SPECIFIED HEREIN, TO REPAIR, REPLACEMENT OR REFUND.**

In no event shall BUNN be liable for any other damage or loss, including, but not limited to, lost profits, lost sales, loss of use of equipment, claims of Buyer's customers, cost of capital, cost of down time, cost of substitute equipment, facilities or services, or any other special, incidental or consequential damages.

392, A Partner You Can Count On, Air Infusion, AutoPOD, AXIOM, BrewLOGIC, BrewMETER, Brew Better Not Bitter, BrewWISE, BrewWIZARD, BUNN Espresso, BUNN Family Gourmet, BUNN Gourmet, BUNN Pour-O-Matic, BUNN, BUNN with the stylized red line, BUNNlink, Bunn-OMatic, Bunn-O-Matic, BUNNserve, BUNNSERVE with the stylized wrench design, Cool Froth, DBC, Dr. Brew stylized Dr. design, Dual, Easy Pour, EasyClear, EasyGard, FlavorGard, Gourmet Ice, Gourmet Juice, High Intensity, iMIX, Infusion Series, Intellisteam, My Café, Phase Brew, PowerLogic, Quality Beverage Equipment Worldwide, Respect Earth, Respect Earth with the stylized leaf and coffee cherry design, Safety-Fresh, savemycoffee.com, Scale-Pro, Silver Series, Single, Smart Funnel, Smart Hopper, SmartWAVE, Soft Heat, SplashGard, The Mark of Quality in Beverage Equipment Worldwide, ThermoFresh, Titan, trifacta, TRIFECTA (stylized logo), Velocity Brew, Air Brew, Beverage Bar Creator, Beverage Profit Calculator, Brew better, not bitter., Build-A-Drink, BUNNSource, Coffee At Its Best, Cyclonic Heating System, Daypart, Digital Brewer Control, Element, Milk Texturing Fusion, Nothing Brews Like a BUNN, Picture Prompted Cleaning, Pouring Profits, Signature Series, Sure Tamp, Tea At Its Best, The Horizontal Red Line, Ultra are either trademarks or registered trademarks of Bunn-O-Matic Corporation. The commercial trifacta® brewer housing configuration is a trademark of Bunn-O-Matic Corporation.

# TABLE OF CONTENTS

Base - Trunk - Hood - Covers & Panels .....	4
Electrical Controls .....	20
Faucet.....	18
Funnel.....	24
Inlet Valve and Line .....	14
Numerical Index .....	26
Sprayhead Valve, Water By-Pass Valve and Sprayhead .....	16
Strainer, Solenoid & Lines .....	12
Tank and Mounting Brackets .....	10
Tank Heater & Overflow Protection Devices .....	8



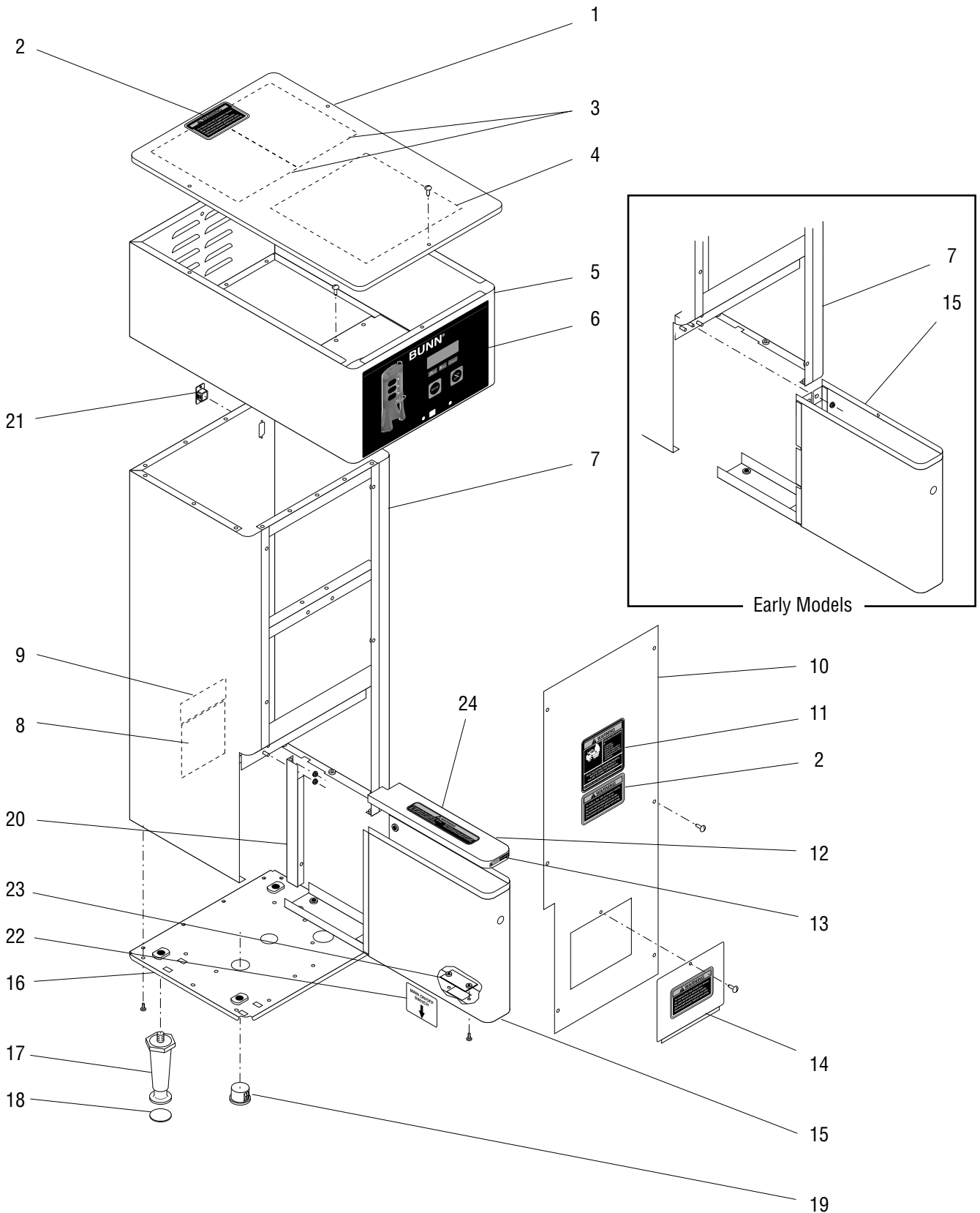
P2726.40

## BASE - TRUNK - HOOD - COVERS & PANELS

ITEM	PART NO.	QTY.	DESCRIPTION	
1	35214.1001	1	Cover Assy, Top BLK (Includes items 2, 3 & 4)	
	35214.1002	1	Cover Assy, Top BLK 120V models (Includes items 2, 3 & 4)	
	35214.1003	1	Cover Assy, Top BLK 200V & 230V models (Includes items 2 & 3)	
	01308.0003	3	Screw, Truss Head BLK #6 - 32 x .25" Locking	
2	37881.0000	3	Decal, "No Serviceable Parts"	
3	25151.0000	2	Shield, Insulator	
4	35726.0000	1	Schematic, 120/208V & 120/240V	
	36883.0000	1	Schematic, 200 & 230V	
	36883.0002	1	Schematic, 120V	
	36883.0004	1	Schematic, 200V with Main Power Switch	
	36883.0005	1	Schematic, 230V	
5	35215.1004	1	Hood W/Decal SST (Includes item 6)	
	35215.1005	1	Hood W/Decal BLK (Includes item 6)	
	02308.0000	16	Screw, Pan Head #8 - 32 x .375"	
6	35242.0000	1	Switch, Membrane	
	35242.0001	1	Switch, Membrane (Early 200V models only)	
7	35222.1000	1	Trunk W/Decals SST (Includes items 8 & 9)	Early models
	35222.1001	1	Trunk W/Decals BLK (Includes items 8 & 9)	
	35222.1002	1	Trunk W/Decals SST 230V (Includes items 8 & 9)	
	35222.1003	1	Trunk W/Decals BLK 230V (Includes items 8 & 9)	Late models
	35222.1004	1	Trunk W/Decals SST (Includes items 8 & 9)	
	35222.1005	1	Trunk W/Decals BLK (Includes items 8 & 9)	
	35222.1006	1	Trunk W/Decals SST 230V (Includes items 8 & 9)	
35222.1007	1	Trunk W/Decals BLK 230V (Includes items 8 & 9)		
8	00986.0000	1	Decal, Warning - Electrical	
9	00656.0001	1	Decal, Comply to Plumbing Code	
10	35236.1000	1	Panel W/Decals, Trunk SST (Includes items 2 & 11)	
	35236.1001	1	Panel W/Decals, Trunk BLK (Includes items 2 & 11)	
	01311.0001	6	Screw, Truss Head, Locking SST #8 - 32 x .25"	
	01311.0004	6	Screw, Truss Head, Locking BLK #8 - 32 x .25"	
11	00658.0000	1	Decal, Caution - Decanter/Funnel	
12	35235.1001	1	Cover W/Decal, Faucet BLK (Includes items 13 and 24)	
	01303.0002	1	Screw, Pan Head BLK #4 - 40 x .50"	
13	36302.0000	1	Decal, Caution Hot Water	
14	34948.1000	1	Plate, Access SST (Includes item 2)	
	34948.1001	1	Plate, Access BLK (Includes item 2)	
	01308.0002	1	Screw, Truss Head SST #6 - 32 x .25" Locking	
	01308.0003	1	Screw, Truss Head BLK #6 - 32 x .25" Locking	
15	35230.0000	1	Support, Center SST	Early models
	35230.0001	1	Support, Center BLK	
	35230.0002	1	Support, Center SST	Models Without Main Power Switch
	35230.0003	1	Support, Center BLK	
	35230.0006	1	Support, Center SST	Models With Main Power Switch
	35230.0007	1	Support, Center BLK	
	00970.0000	2	Nut, Keps #8-32 Zinc PL	
02325.0000	4	Screw, Pan Head, Locking .25-20 x .31"		

(continued)

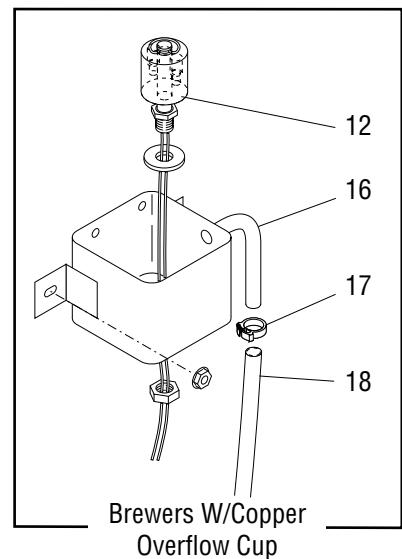
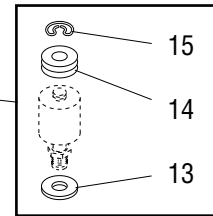
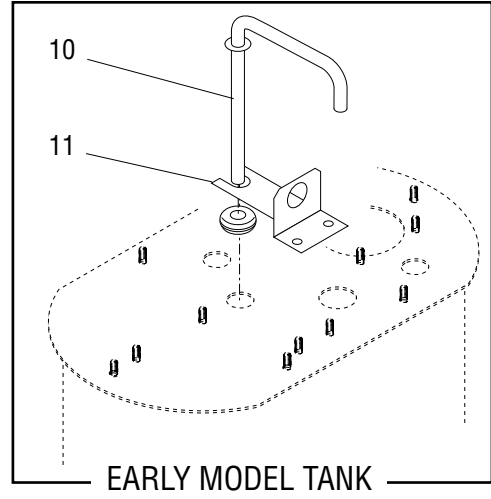
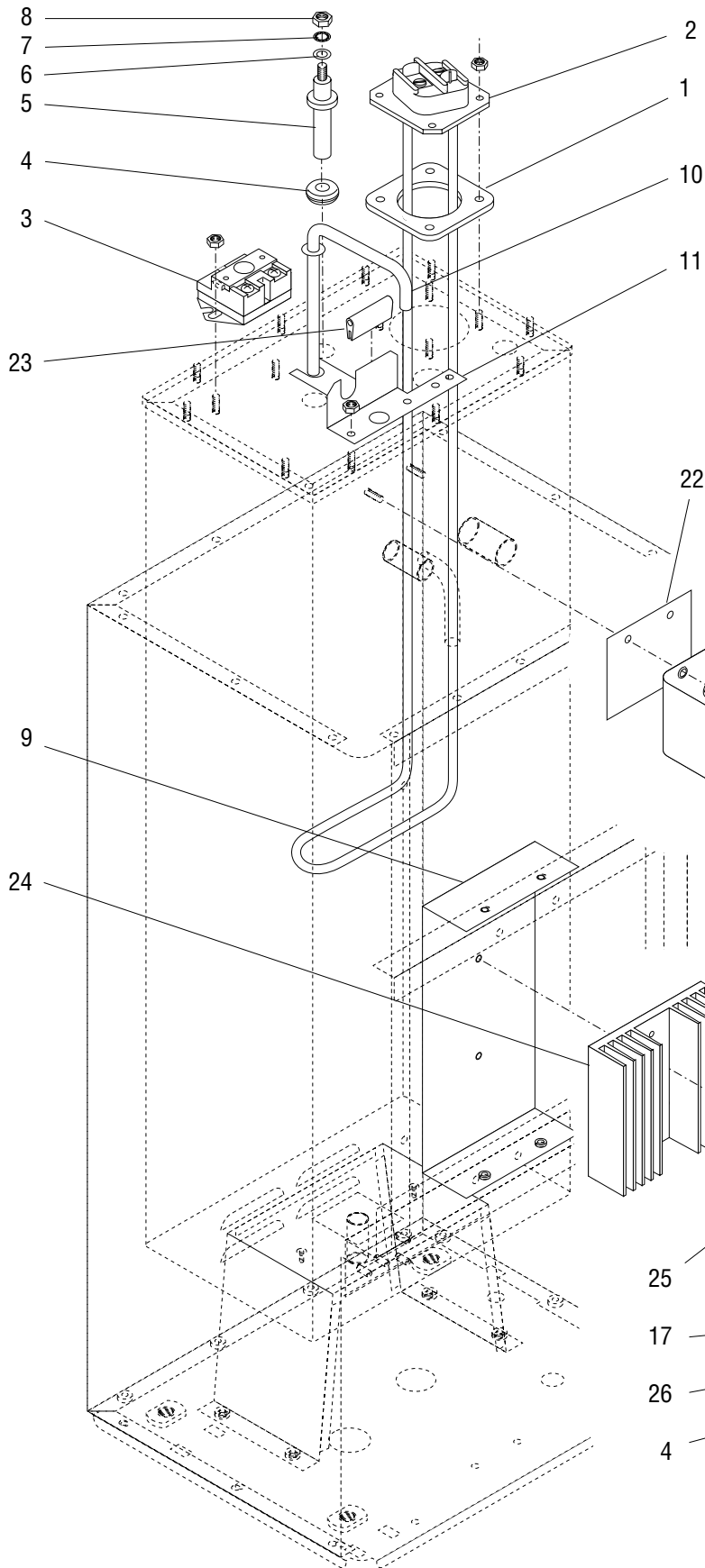
\* Indicates the part number listed is for reference only. See DESCRIPTION for possible service replacement.



## BASE - TRUNK - HOOD - COVERS & PANELS

ITEM	PART NO.	QTY.	DESCRIPTION
16	35227.0000	1	Base Housing SST
	35227.0001	1	Base Housing BLK
	35227.0002	1	Base Housing SST 120V, 240V, 120/208V, 120/240V models
	35227.0003	1	Base Housing BLK 120V, 240V, 120/208V, 120/240V models
	35227.0004	1	Base Housing SST 230V models
	35227.0005	1	Base Housing BLK 230V models
	02308.0000	12	Screw, Pan Head #8 - 32 x .375"
17	26528.0000	5	Leg, 4.0" Plastic (See item 25)
	00502.0000	5	Leg, 4.0" Metal (See item 25)
18	03996.0000	5	Pad, Anti Skid
19	03011.0000	1	Plug, Vent
20	35238.0001	1	Panel, Support
	00970.0000	2	Nut, Keps #8-32 Zinc PL
21	36398.0000	1	Hole Plug DB-9 (Early models)
22	39803.0000	1	Decal, Main On/Off Switch
23	38820.0000	1	Plate, Switch Hole Cover
	01347.0000	2	Screw, Screw, Truss Head #6-32 x .38"
24	37881.0002	1	Decal, "No Serviceable Parts"
25	13255.0007	-	Leg Kit, Plastic (Includes 5 each of items 17 & 18) (Not illustrated)
	13255.0002	-	Leg Kit, Metal (Includes 5 each of items 17 & 18) (Not illustrated)

\* Indicates the part number listed is for reference only. See DESCRIPTION for possible service replacement.



P2727



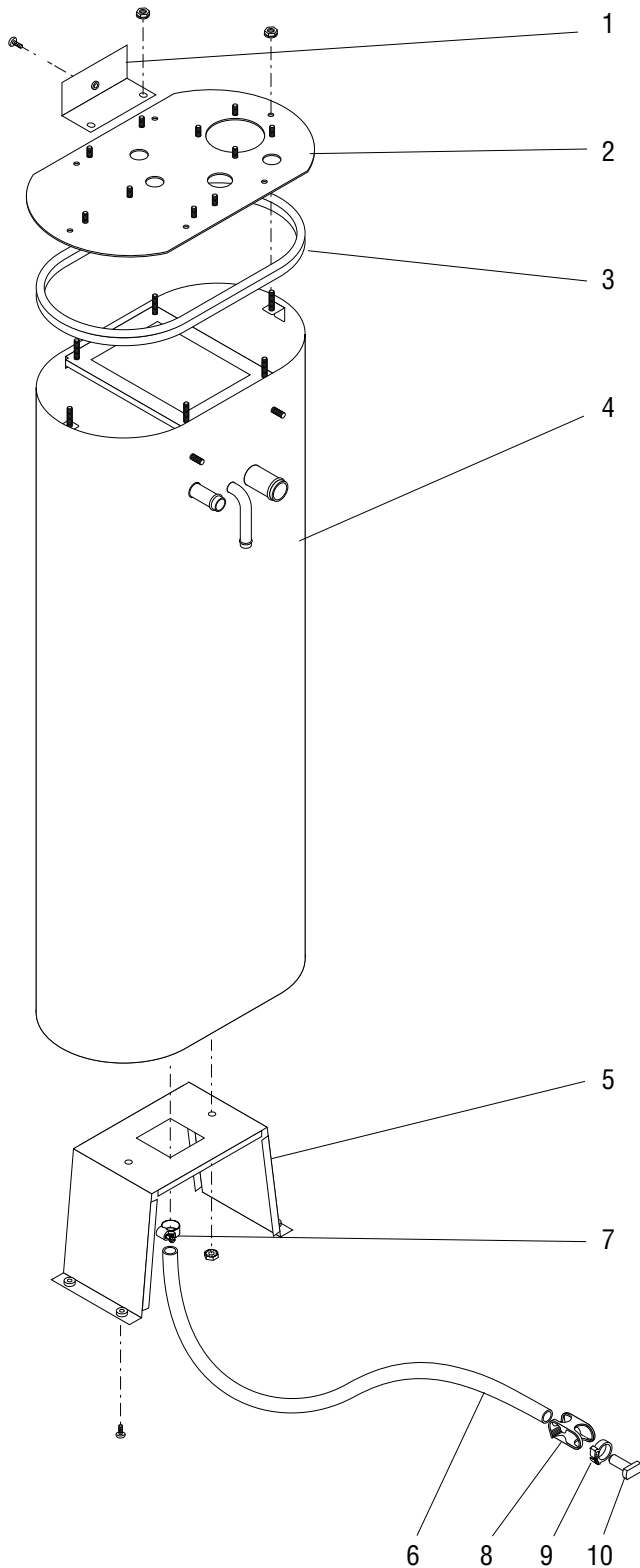
## TANK HEATER & OVERFLOW PROTECTION DEVICES

ITEM	PART NO.	QTY.	DESCRIPTION
1	12398.0002	1	Gasket, Tank Heater
2	12322.1000	1	Tank Heater, 4000W @ 240V (Includes item 1)
	12305.1000	1	Tank Heater, 4000W @ 208V (Includes item 1)
	36115.1000	1	Tank Heater, 2200W @ 120V (Includes item 1)
	00908.0000	4	Nut, Hex #8 - 32
3	23717.0003	1	Thermostat, Limit
	00908.0000	2	Nut, Hex #8 - 32
4	02536.0000	3	Grommet .375" I.D.
5	02645.1000	1	Probe Kit (Includes items 6, 7 & 8)
6	01501.0000	1	Washer .164" I.D. x .375" O.D.
7	20203.0100	1	Lockwasher, Internal Tooth #8
8	00908.0000	1	Nut, Hex #8 - 32
9	35565.0000	1	Bracket, Heat Sink
	02308.0000	4	Screw, Pan Head #8 - 32 x .38"
10	26622.0001	1	Tube Assy, Vent
11	35253.0000	1	Bracket, Vent Tube Mounting (Early model Tank)
	27473.0000	1	Bracket, Vent Tube Mounting (Late model Tank)
12	03803.0000	1	Switch Assy, Liquid Level, 120V, 120/208V & 120/240V (Includes items 13, 14 & 15)
	03803.0002	1	Switch Assy, Liquid Level, 200 & 230V (Includes items 13, 14 & 15)
	00946.0000	1	Nut, Hex .125" FPT
13	03633.0000	2	Gasket, Float Switch (Only 1 used in this application)
14	01527.0000	3	Washer, Adjusting (Not used in this application)
15	03807.0000	1	Clip, Spring
16	22728.0000	1	Overflow Cup Assy Copper (Second type) (Also replaces aluminum cup)
	41259.1003	1	Kit, Overflow Cup (Aluminum) (Includes items 4,19, 21 & 22)
	00971.0000	2	Nut, Keps #10-32
17	12422.0000	2	Clamp, Hose .47"/.54" I.D.
18	03236.0029*	1	Tube, Silicone .312" I.D. x 30.0" (Order item 28)
19	04797.0000	1	Washer, Celcon .520" I.D. x 1.0" O.D.
20	00946.0000	1	Nut, Hex .125" FPT
21	41280.0001	1	Elbow,.375" Multi Barb
22	41266.0000	1	Film, Insulating
23	02434.0010	1	U-Channel 2.0" (Order item 29)
24	20541.0001	1	Heat Sink (Also order item 27)
	01382.0007	2	Screw, Truss Head 6-32 x .38"
25	12565.0011	1	Triac Assy, 40 amp
	02328.0003	1	Screw, Pan Head #6-32 x .312"
	01520.0000	1	Lockwasher #6
26	21801.0002	1	Tube .375" O.D.
27	M2522.1000	-	Heat Sink Compound
28	03236.1001	-	Tube, Silicone .312" I.D. x 36.0"
	03236.1003	-	Tube, Silicone .312" I.D. x 60.0"
	03236.1002	-	Tube, Silicone .312" I.D. x 120.0"
29	02434.1000	-	U-Channel 18.0" (Use as required)

Not illustrated

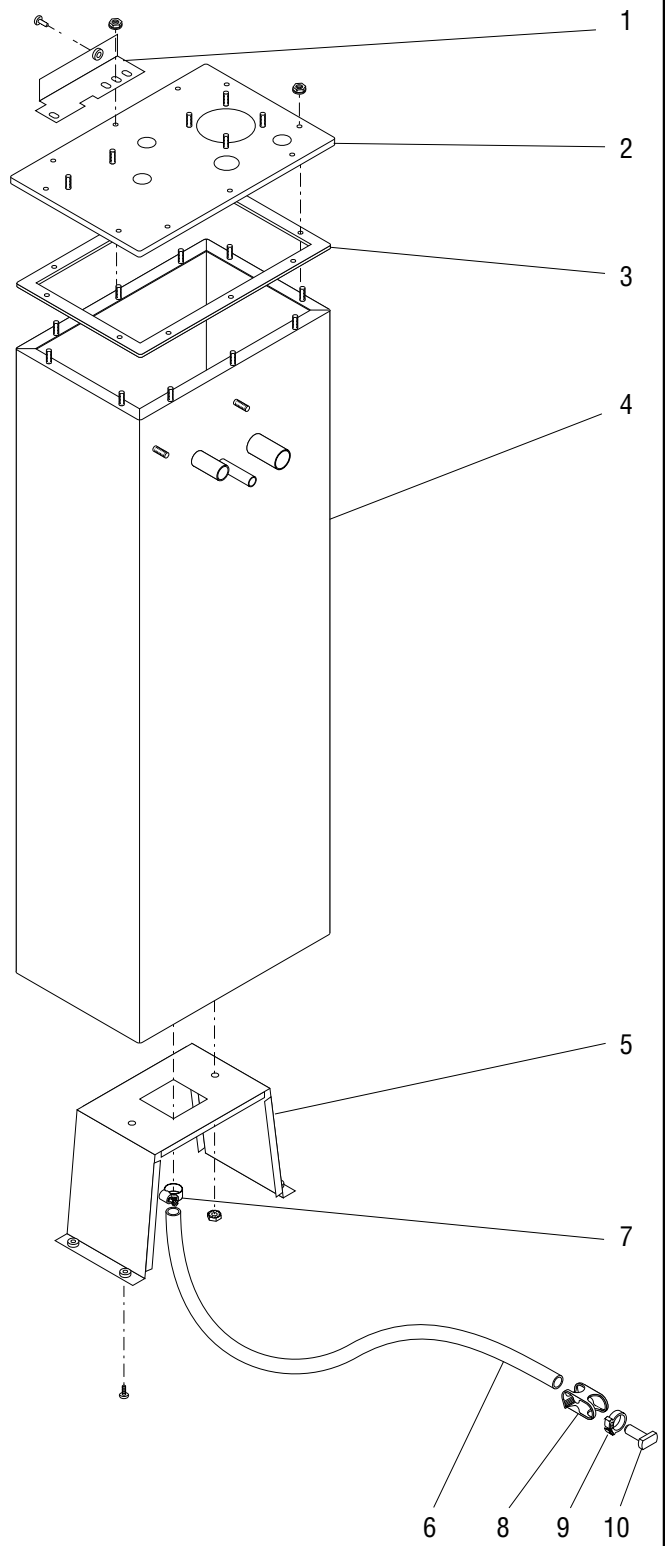
\* Indicates the part number listed is for reference only. See DESCRIPTION for possible service replacement.

**EARLY MODEL TANK**



P2728.50

**LATE MODEL TANK**



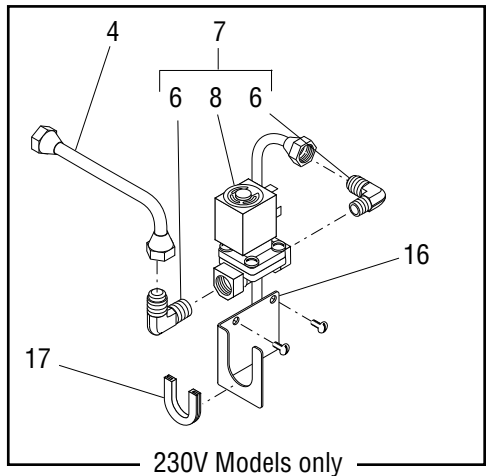
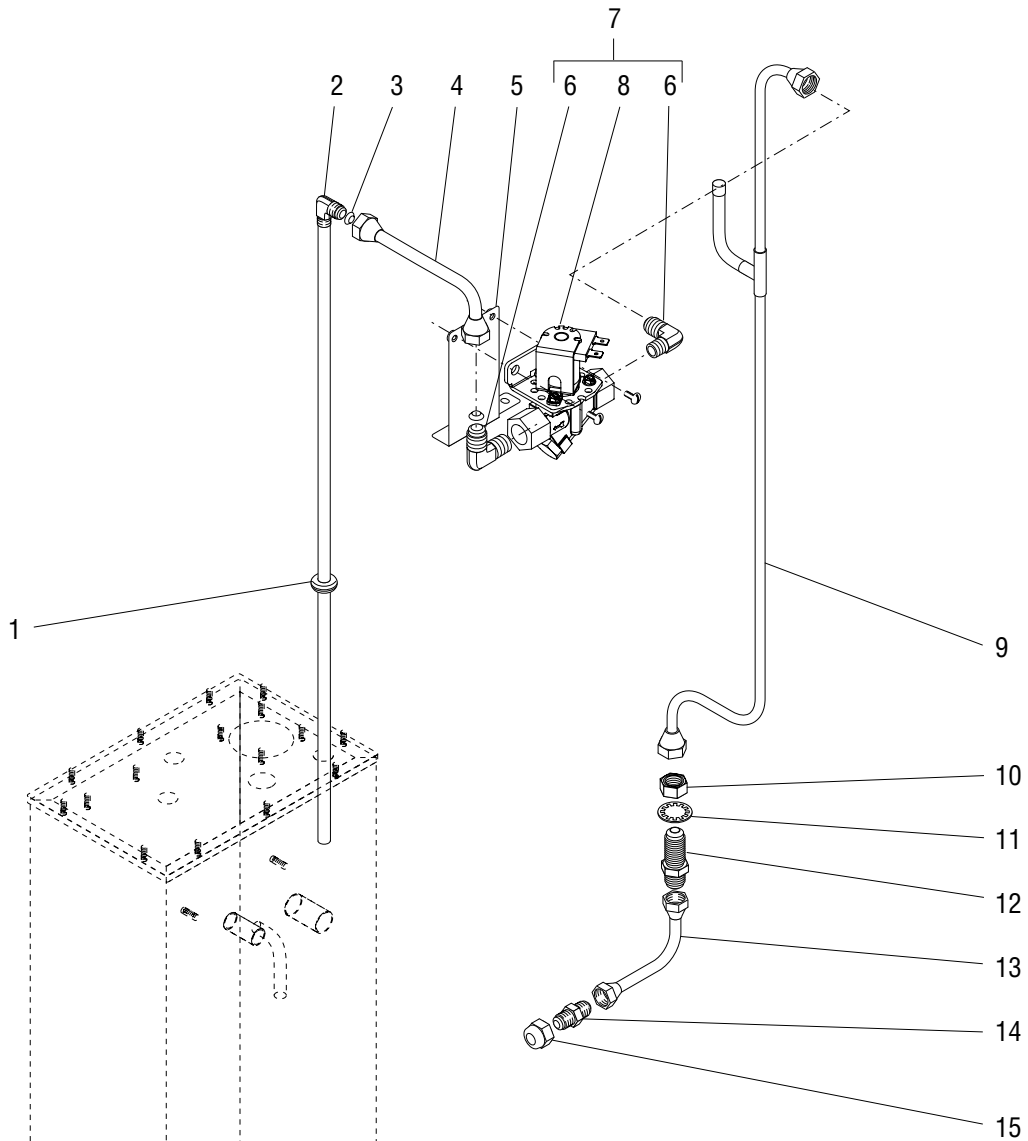
P3572.50

## TANK AND MOUNTING BRACKETS

ITEM	PART NO.	QTY.	DESCRIPTION
1	35250.0000	1	Bracket, Tank Support (Early model Tank)
	28909.0000	1	Bracket, Tank Support (Late model Tank)
	02308.0000	1	Screw, Pan Head #8-32 x .38"
	01315.0005	1	Screw, Truss Head, BLK #8 - 32 x .375"
	00908.0000	2	Nut, Hex #8 - 32
2	35247.0000	1	Lid, Tank (Early model Tank)
	38697.0000	1	Lid, Tank (Late model Tank)
	00908.0000	6	Nut, Hex #8 - 32 (2 additional for late model Tank)
3	02434.0011*	1	Gasket, U-channel 27.6" (Order item 12) (Early model Tank)
	38695.0000	1	Gasket, Tank Lid (Late model Tank)
4	35243.0000*	1	Tank (Early model)
	38693.0000*	1	Tank (Late model with copper overflow cup)
	38693.1001	1	Tank (Late model with aluminum overflow cup)
5	35708.0000	1	Bracket, Tank Mounting (Bottom)
	02308.0000	4	Screw, Pan Head #8-32 x .38"
6	32591.0008*	1	Tube, Silicone .50" I.D. x .75" O.D. x 31.0" (Order item 11)
7	29421.0000	1	Clamp, Hose-Worm Drive .625" x .75"
8	11630.0001	1	Clamp, Tubing Shutoff
9	12422.0009	1	Clamp, Hose .71" x .80" I.D.
10	35086.0000	1	Plug, .50" I.D. Hose
11	32591.1002	1	Tube, Silicone .50" I.D. x 36.0" (Not illustrated)
12	02434.1001	-	Gasket, U-channel 36.0" (Cut to required length)
13	38693.1000	-	Kit, Tank (Includes components to change Early model Tank to Late model Tank)

} Order item 13

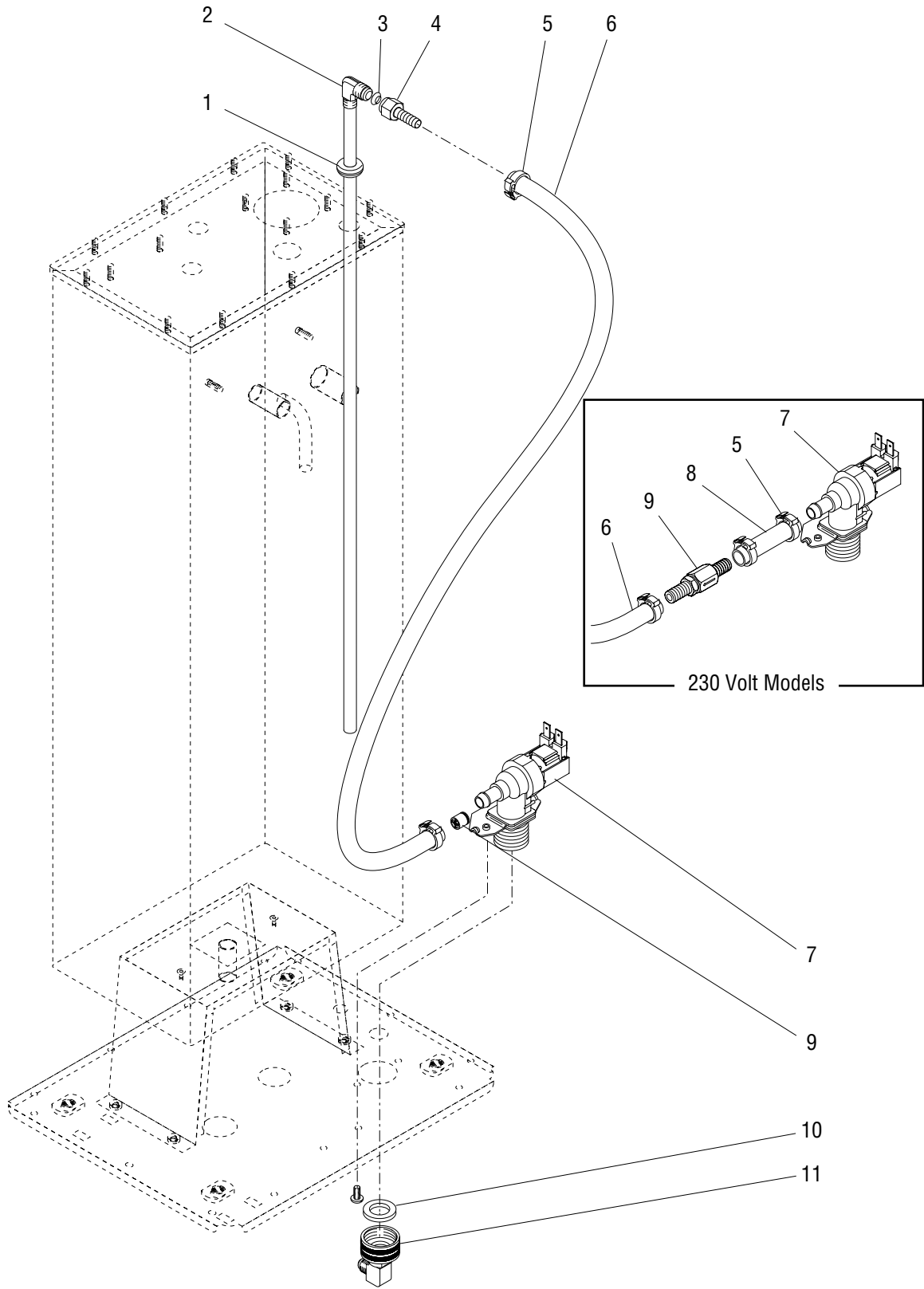
\* Indicates the part number listed is for reference only. See DESCRIPTION for possible service replacement.



230V Models only

## STRAINER, SOLENOID & LINES

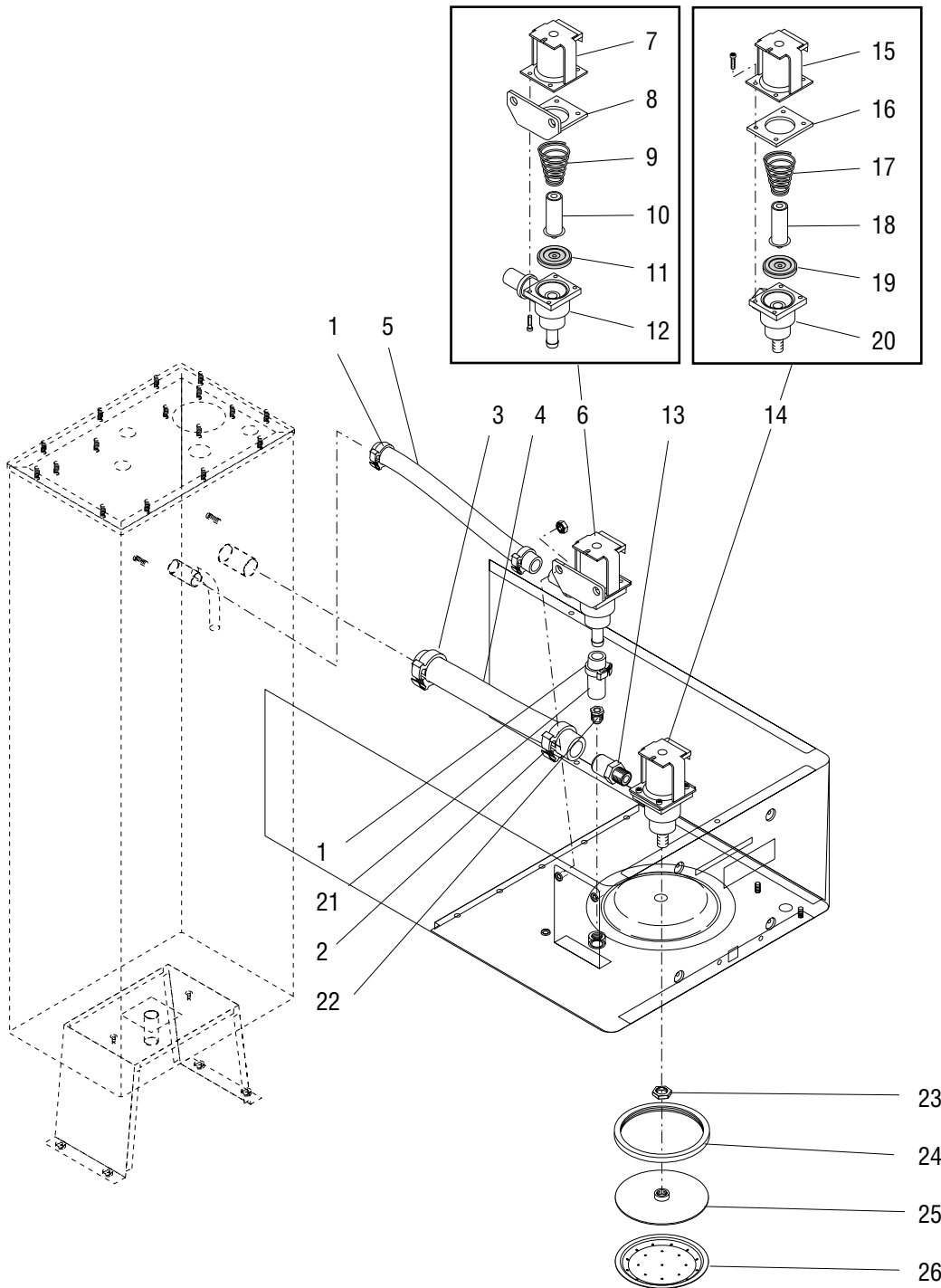
ITEM	PART NO.	QTY.	DESCRIPTION
1	02536.0000	1	Grommet .375" I.D.
2	20937.0004	1	Tube, Tank Fill
3	32359.0000	2	Gasket, .375" Flare Copper
4	36089.0000	1	Tube Assembly, Solenoid to Tank
5	36130.0000	1	Bracket, Solenoid Mounting
	02308.0000	2	Screw, Pan Head #8 - 32 x .375"
6	34768.0001	2	Elbow, Male .375" Flare x .125" MPT
7	36088.0002	1	Solenoid Valve Assy, 120V (Includes items 6 & 8)
	36088.0006	1	Solenoid Valve Assy, 240V (Includes items 6 & 8)
	36088.0003	1	Solenoid Valve Assy, 200V (Includes items 6 & 8)
	01317.0003	2	Screw, Truss Head #8 - 32 x .38" Locking
8	35094.0001	1	Solenoid Valve 120V
	28037.0000	1	Solenoid Valve 230V
	35094.0002	1	Solenoid Valve 200V
9	35256.0000	1	Tube Assy, Bulkhead to Strainer
10	12757.0000	1	Nut, Hex .625" - 20
11	01514.0000	1	Lockwasher, Internal Tooth .625" I.D.
12	12756.0000	1	Bulkhead Fitting .375" Flare
13	00310.0008	1	Tube Assembly, Bulkhead to Supply
14	36081.0000	1	Union .375" Male Flare
15	00976.0000	1	Cap (For shipping purposes only)
16	36084.0000	1	Bracket, Solenoid Mounting
	02308.0000	2	Screw, Pan Head #8 - 32 x .375"
17	02434.0005*	1	Gasket, U-channel 3.5" (Order item 19)
18	M2517.0000	-	Sealant, Pipe 6 ml (Not illustrated)
19	02434.1000	1	Gasket, U-channel 12.0" (Cut to required length)



230 Volt Models

## INLET VALVE AND LINE

ITEM	PART NO.	QTY.	DESCRIPTION
1	02536.0000	1	Grommet .375" I.D.
2	20937.0004	1	Tube, Tank Fill
3	32359.0000	1	Gasket, .375" Flare Copper
4	12418.0001	1	Fitting, Swivel .375" Barb
5	12422.0001	4	Clamp, Hose .59"/.66" I.D
6	20976.0036*	1	Tube, Silicone .375" I.D. x .625" O.D. x 36.0" (Order item 12)
	20976.0084*	1	Tube, Silicone .375" I.D. x .625" O.D. x 25.5" (Order item 12) (230V Models)
7	36233.1005	1	Valve, Water Inlet 120V
	36233.1006	1	Valve, Water Inlet 230V
	32283.0000	2	Screw, Pan Head M4 x 6MM
8	20976.0052*	1	Tube .375" ID x .625" OD x 7.0" (Order item 12) (230V Models)
9	36378.0001	1	Check Valve (Installed in item 6) (120V, 240V, 120/208V, 120/240V Models)
	40071.0001	1	Check Valve, .38" Barb (230V Models)
10	41640.0000	1	Gasket, .75" Hose Fitting
11	37297.1001	1	Elbow, .375" FLR x .75" FTNR
	37297.0004	1	Elbow, .375" Compression x .75" FTNR
12	20976.1000	-	Tube .375" ID x .625" OD x 12.0" (Use as required)
	20976.1001	-	Tube .375" ID x .625" OD x 36.0" (Use as required)
	20976.1002	-	Tube .375" ID x .625" OD x 120.0" (Use as required)





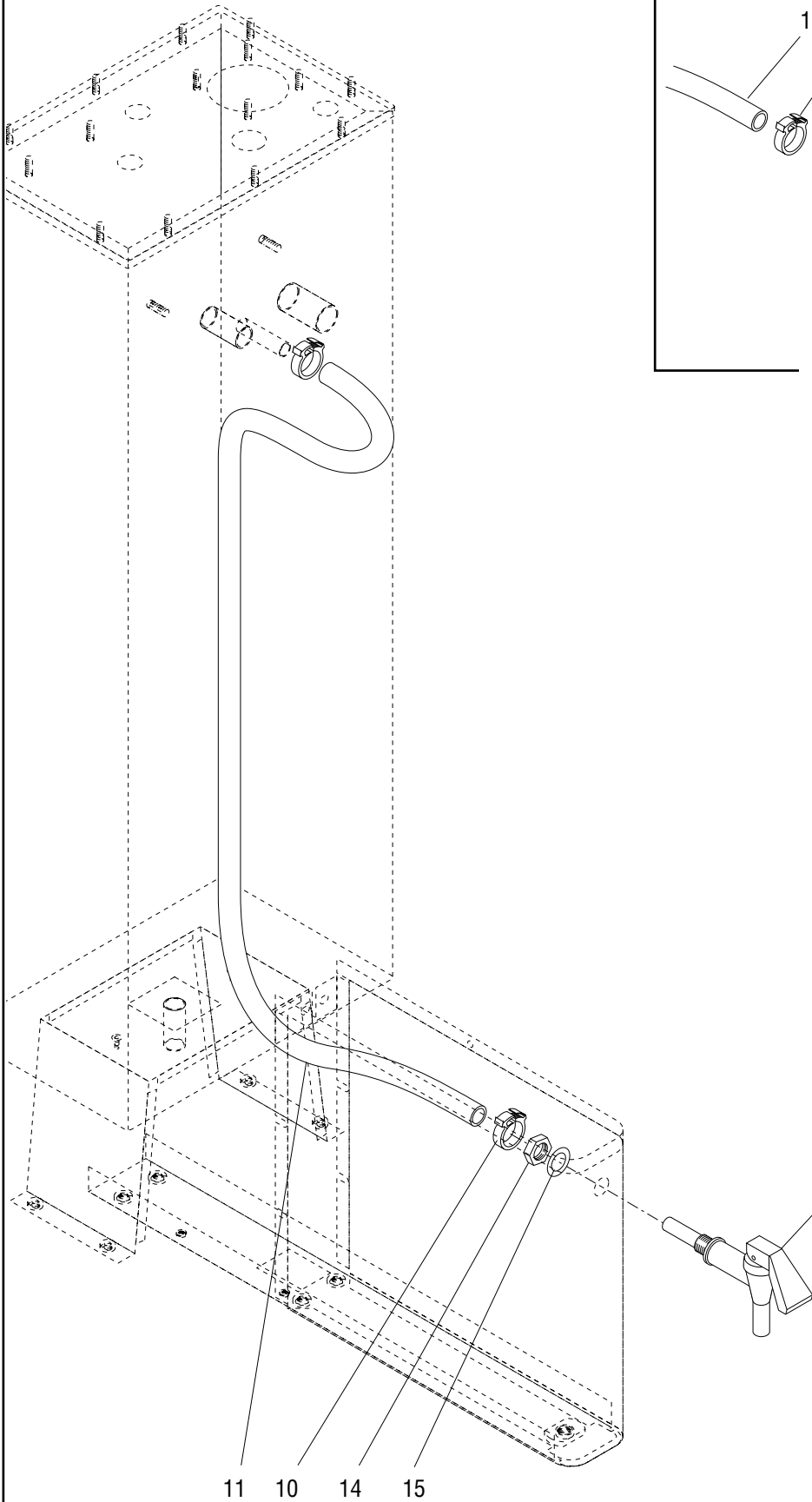
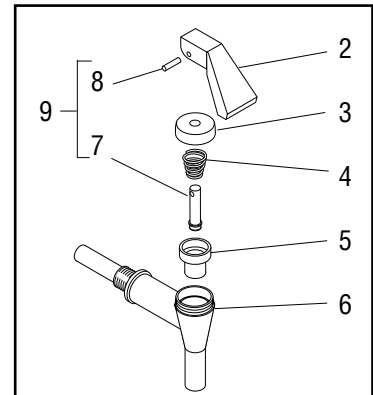
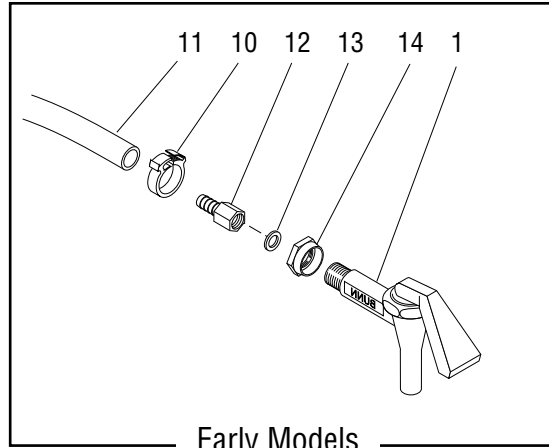
## SPRAYHEAD VALVE, WATER BY-PASS VALVE & SPRAYHEAD

ITEM	PART NO.	QTY.	DESCRIPTION
1	12422.0005	3	Clamp, Hose .62"/.71" I.D.
2	12422.0008	1	Clamp, Hose .93"/1.10" I.D.
3	12422.0008	1	Clamp, Hose .93"/1.10" I.D.
4	35052.0000*	1	Tube, Silicone .75" I.D. x 1.0" O.D. x 6.25" (Order item 28)
5	32591.0006*	1	Tube, Silicone .50" I.D. x .75" O.D. x 6.50" (Order item 27)
6	27370.0003	1	Valve Assy, Bypass 120V (Includes items 7 thru 12)
	27370.0005	1	Valve Assy, Bypass 230V (Includes items 7 thru 12)
	27370.0004	1	Valve Assy, Bypass 200V (Includes items 7 thru 12)
	00970.0000	2	Nut, Keps #8 - 32
7	-----	1	Coil Assy, Bypass Valve
8	- - - - -	1	Bracket, Mounting
9	-----	1	Spring (Not available order item 30)
10	-----	1	Plunger (Not available order item 30)
11	23255.0000	1	Diaphragm
12	-----	1	Body (Not available order item 6)
13	34956.0000	1	Fitting, .250" NPT x .75" I.D. Hose
14	26846.0000	1	Valve Assy, Sprayhead 120V (Includes items 15 thru 20)
	26846.0002	1	Valve Assy, Sprayhead 230V (Includes items 15 thru 20)
	26846.0001	1	Valve Assy, Sprayhead 200V (Includes items 15 thru 20)
15	22305.0000	1	Coil Assy, Valve 120V
	22305.0002	1	Coil Assy, Valve 230V
	22305.0003	1	Coil Assy, Valve 200V
	23254.0000	4	Screw, #8 - 32
16	23256.0000	1	Spacer Plate
17	-----	1	Spring (Not available order item 29)
18	-----	1	Plunger (Not available order item 29)
19	23255.0000	1	Diaphragm
20	-----	1	Body (Not available order item 15)
21	32591.0003*	1	Tube, Silicone .50" I.D. x .75" O.D. x 1.10" (Order item 27)
22	34801.0001	1	Fitting, Bypass Restrictor
23	01075.0000	1	Nut, Hex .438" - 20
24	34868.0000	1	Seal, Sprayhead
25	35070.0001	1	Sprayhead Back
26	34867.0004	1	Sprayhead
27	32591.1001	1	Tube, Silicone .50" I.D. x .75" O.D. x 12.0"
	32591.1002	1	Tube, Silicone .50" I.D. x .75" O.D. x 36.0"
28	35052.1000	1	Tube, Silicone .75" I.D. x 1.0" O.D. x 12.0"
29	11517.0008	-	Solenoid Valve Repair Kit, Bypass & Sprayhead (Includes one each of spring, plunger and diaphragm)
30	35308.1004	-	Sprayhead Assy (Includes one each of items 24 - 26)

Refer to item 30

Not illustrated

\* Indicates the part number listed is for reference only. See DESCRIPTION for possible service replacement.

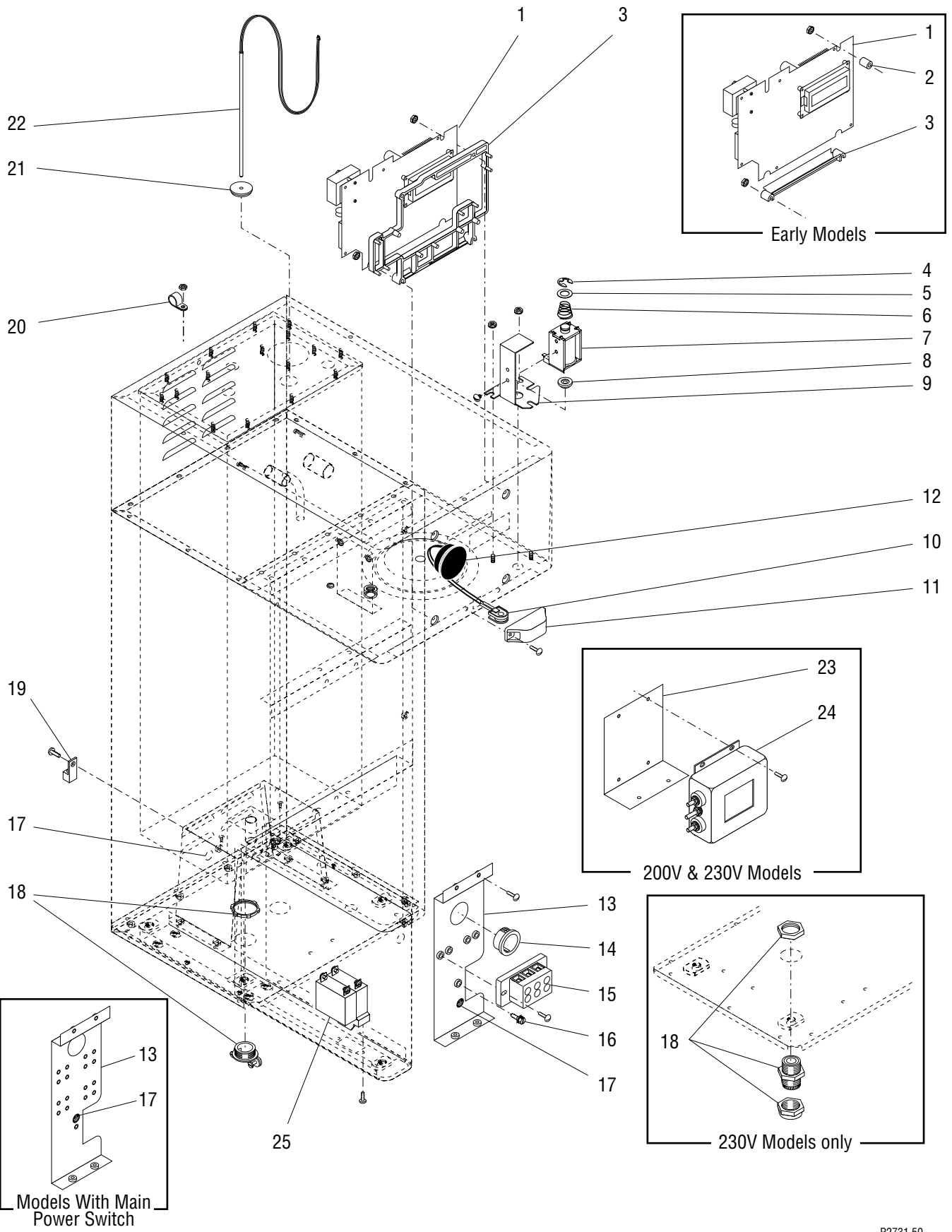


## FAUCET

ITEM	PART NO.	QTY.	DESCRIPTION
1	02596.1009	1	Faucet Assy (Includes items 2 thru 8 & 14) (Early Models)
	29075.0002	1	Faucet Assy (Includes items 2 thru 8) (Late Models)
2	02861.0003	1	Handle, Faucet
3	02854.0000	1	Bonnet, Faucet
4	02595.0000	1	Spring, Faucet
5	02766.0000	1	Seat Cup, Faucet
6	02856.0008*	1	Body, Faucet (Early Models)
	02856.0009*	1	Body, Faucet (Late Models)
7	13054.0000	1	Stem, Faucet
8	02858.0000	1	Pin, Spring .125" Dia. x .50"
9	02594.0000	1	Faucet Stem W/Pin (Includes items 7 & 8)
10	12422.0001	2	Clamp, Hose .59"/.66" I.D.
11	20976.0036*	1	Tube, Silicone .375" I.D. x .625" O.D. x 36.0" (Order item 17)
12	12437.0000	1	Adapter (Early Models)
13	27574.0000	1	Washer, Sealing (Early Models)
14	02850.0000	1	Jam Nut, Faucet (Early Models)
	29264.0000	1	Nut, Faucet Retaining (Late Models)
15	01532.0005	1	Washer, Intl Tooth .50: Lock (Late Models)
16	28706.0002	-	Faucet Kit (Includes items 2,4 ,5 ,8 & 9)
17	20976.1001	-	Tube .375" ID x .625" OD x 36.0" (Use as required)
	20976.1002	-	Tube .375" ID x .625" OD x 120.0" (Use as required)

} Not Illustrated

\* Indicates the part number listed is for reference only. See DESCRIPTION for possible service replacement.



## ELECTRICAL CONTROLS

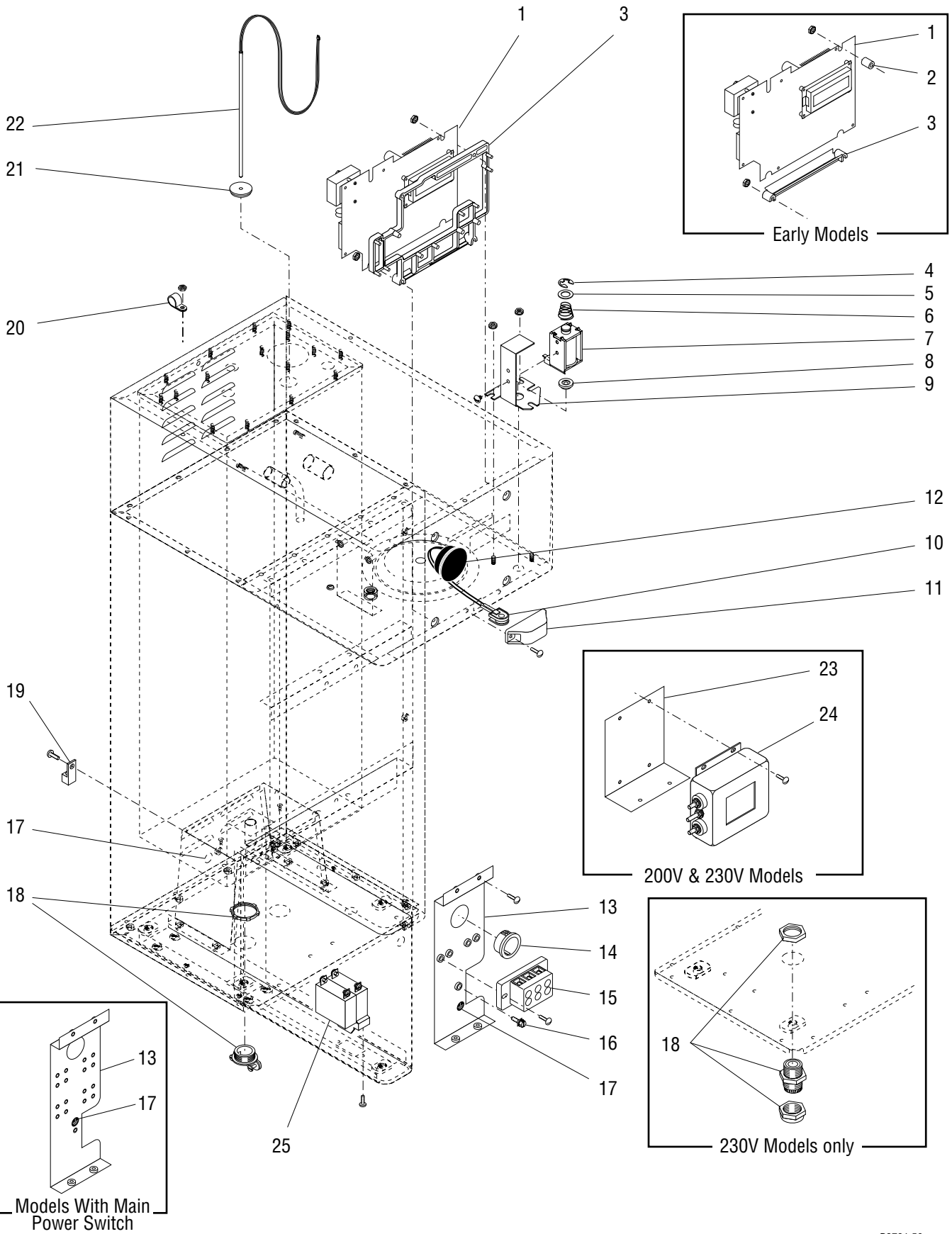
ITEM	PART NO.	QTY.	DESCRIPTION
1	29969.1000	1	Circuit Board, Main control (120V, 120/208V & 120/240V models)
	29969.1003	1	Circuit Board, Main control (200V models)
	38358.1000	1	Circuit Board, Main control (230V models)
	00973.0000	2	Nut, Keps #6-32
2	01533.0006	2	Spacer (Early models)
3	29970.0000	1	Mount, Circuit Board (Early models)
	40726.0000	1	Mount, Circuit Board (Late models)
	00973.0000	2	Nut, Keps #6-32
4	39981.0000	2	Ring, Solenoid
5	-----	2	Washer, Nylon .44" ID x .68" OD
6	39982.0000	2	Spring, Solenoid
7	35955.0000	2	Coil, Solenoid, 120V
	35955.0001	2	Coil, Solenoid, 230V
	35955.0002	2	Coil, Solenoid, 200V
	33613.0000	4	Screw, Truss Head #8-32 x .25"
	01519.0000	4	Lockwasher, Split #8
8	35953.0000	2	Guide, Pin
9	38280.0000	2	Bracket, Solenoid
	00970.0000	4	Nut, Keps #8-32
10	-----	1	Sensing Coil W/O/Leads (Early models) (Not available order item 38)
	32572.1001	1	Sensing Coil W/Violet Leads (Includes plug below) (Late models)
	20621.0000	1	Plug, hole .203" Dia. (Not illustrated)
11	32573.0000	1	Cover, Sensing Coil
	01382.0007	2	Screw, Truss Head #6-32 x .38"
12	32018.0000	1	Bumper (Early models)
13	34675.0002	1	Bracket, Terminal Block Mounting
	34675.0003	1	Bracket, Terminal Block Mounting (Models with Main On/Off Switch)
	02308.0000	2	Screw, Pan Head #8-32 x .38"
14	01592.0001	1	Bushing, Snap 1.188" Dia. hole
15	07038.0000	1	Terminal Block, 3 Pole, Red/White/Black
	01106.0000	1	Terminal Block, 2 Pole, White/Black
	01106.0003	1	Terminal Block, 2 Pole, Blue/Brown
	01106.0001	1	Terminal Block, 2 Pole, Red/Black
	01317.0000	2	Screw, Truss Head #8-32 x .50"
16	01309.0000	1	Ground Screw W/Terminal Washer #10-32 x .50"
17	00824.0002	1	Decal, Grounding
18	01590.0000	1	Connector, Cable
	32833.0000	1	Strain Relief (230V models only)
19	27705.0000	1	Terminal Lug (200V & 230V models)
20	04831.0000	1	Clamp, Cable .438" I.D.
21	12570.0000	1	Grommet, Temperature Sensor

Includes items  
4 thru 6

Also see item 39

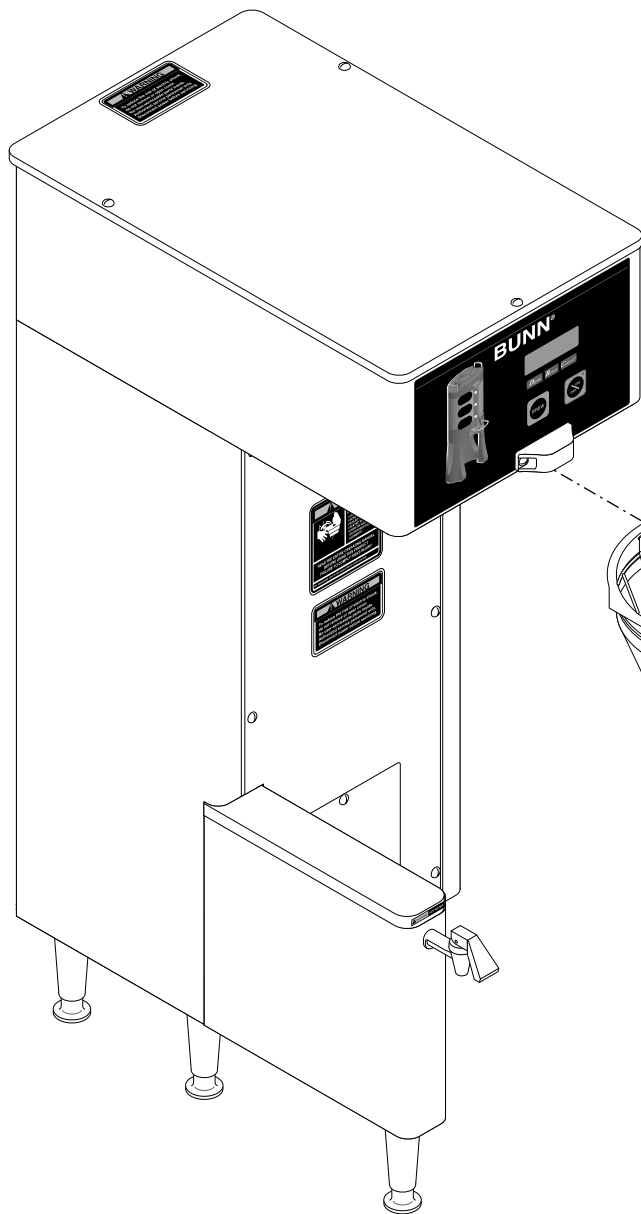
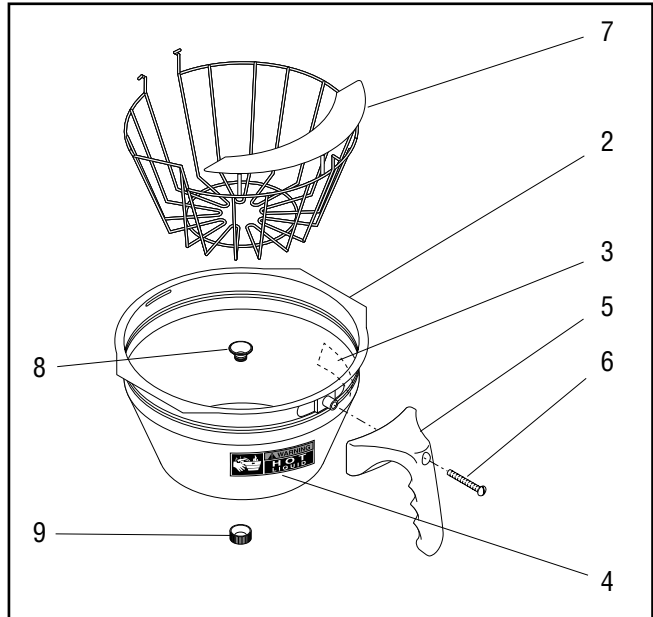
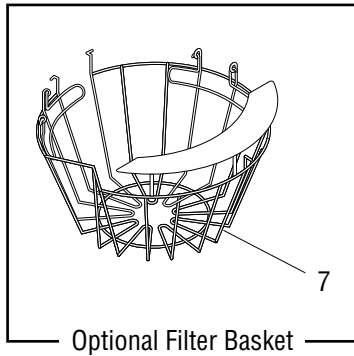
(continued)

\* Indicates the part number listed is for reference only. See DESCRIPTION for possible service replacement.



## ELECTRICAL CONTROLS

ITEM	PART NO.	QTY.	DESCRIPTION
22	29327.0000	1	Probe Kit, Temperature/Dry Plug
23	36885.0000	1	Bracket, EMI Filter Mount
24	29446.0002	1	EMI Filter (200V & 230V models)
	01347.0000	4	Screw, Truss Head #6-32 x .38"
25	38894.0001	1	Switch, Main Power
	01308.0002	2	Screw, Truss Head #6-32 x .25" (Switch Mounting)
	01327.0000	4	Screw, Pan Head #10-32 x .375" } Terminals
	01512.0000	4	Lockwasher, External Tooth #10 }
NOTE: The following items are not illustrated			
26	33634.0005	1	Wiring Harness, Main 120/208V & 120/240V models (Brewers prior to 08/05/05)
	33634.0020	1	Wiring Harness, Main 120/208V & 120/240V models (Brewers after 08/05/05)
	33634.0030	1	Wiring Harness, Main 120/208V & 120/240V models (Models W/Inlet Valve in Base)
	33634.0007	1	Wiring Harness, Main 120V models (Brewers prior to 08/05/05)
	33634.0021	1	Wiring Harness, Main 120V models (Brewers after 08/05/05)
	33634.0031	1	Wiring Harness, Main 120V models (Models W/Inlet Valve in Base)
	33634.0008	1	Wiring Harness, Main 200V & 230V models (Brewers prior to 08/05/05)
	33634.0022	1	Wiring Harness, Main 200V & 230V models (Brewers after 08/05/05)
	33634.0025	1	Wiring Harness, Main 240V 2 Wire (Models W/Inlet Valve in Hood)
	33634.0032	1	Wiring Harness, Main 240V 2 Wire (Models W/Inlet Valve in Base)
	33634.0026	1	Wiring Harness, Main 230V 3 Phase
	33634.0035	1	Wiring Harness, Main 230V (230V models W/Inlet Valve in Base)
27	03851.0000	2	Wire Nut
28	32649.0001	1	Cover (Models without Funnel Lock)
29	23799.0001	1	Power Cord (120V Models only)
	42749.0026	1	Power Cord w/plug (230V Models - CE/Keti)
30	37859.0002	1	Wiring Harness, On/Off Switch (Models with main On/off Switch only)
31	34707.0000	1	Wiring Harness, EMI Filter (200V & 230V models)
32	39717.0000	1	Wiring Harness, Heater/EMI Filter
33	39717.0001	1	Wiring Harness, Contactor/Heater
34	39717.0002	1	Wiring Harness, Contactor/EMI Filter
35	39717.0003	1	Wiring Harness, Limit Thermostat/Contactor
36	21003.0418	1	Lead, Red 13.0"
37	36086.0000	1	Lead, GRN 10.0", EMI Filter (200V & 230V Early models only)
38	38338.0000	-	Kit, Funnel Sensors (Includes Funnel Sensor Coils W/Leads)
39	35952.1003	-	Solenoid Assy, Funnel Lock 120V (Includes items 4 thru 9)
	35952.1004	-	Solenoid Assy, Funnel Lock 200V (Includes items 4 thru 9)
	35952.1005	-	Solenoid Assy, Funnel Lock 230V (Includes items 4 thru 9)





## FUNNEL

ITEM	PART NO.	QTY.	DESCRIPTION
1	32643.0000	2	Funnel Assy, SST
	32643.0010	2	Funnel Assy W/D-Ring Basket, SST (Optional)
			} Each includes Items 2 thru 9
2	24462.0002	1	Funnel W/Decals (Includes items 3 & 4)
3	03408.0004	1	Decal, Warning-Remove Funnel
4	03409.0004	1	Decal, Warning-Hot Liquid
5	32595.0000	1	Handle, Funnel-Black
6	12499.0002	1	Screw, Round Head .25" - 20 x 1.50" BLK
7	33089.0000	1	Filter Basket w/Splash Guard
	33089.0001	1	Filter Basket w/Splash Guard & D-Rings (Optional)
8	32139.0000	1	Insert, Funnel Tip - Male (Refer to item 10)
9	32140.0000	1	Insert, Funnel Tip - Female (Refer to item 10)
10	01031.0001	-	Funnel Tip Kit (Includes items 8 & 9)

## NUMERICAL INDEX

PART NO.	PAGE NO.	PART NO.	PAGE NO.	PART NO.	PAGE NO.	PART NO.	PAGE NO.
00310.0008.....	13	02854.0000.....	19	23255.0000.....	17	33634.0032.....	23
00502.0000.....	7	02856.0008.....	19	23255.0000.....	17	33634.0035.....	23
00656.0001.....	5	02858.0000.....	19	23256.0000.....	17	34675.0002.....	21
00658.0000.....	5	02861.0003.....	19	23717.0003.....	9	34675.0003.....	21
00824.0002.....	21	03011.0000.....	7	23799.0001.....	23	34707.0000.....	23
00908.0000.....	9,11	03236.0007.....	9	24462.0002.....	25	34768.0001.....	13
00946.0000.....	9	03236.1001.....	9	25151.0000.....	5	34801.0001.....	17
00970.0000.....	5,7,17,21	03236.1002.....	9	26528.0000.....	7	34867.0004.....	17
00971.0000.....	9	03236.1003.....	9	26622.0001.....	9	34868.0000.....	17
00973.0000.....	21	03408.0004.....	25	26846.0000.....	17	34948.1000.....	5
00976.0000.....	13	03409.0004.....	25	26846.0001.....	17	34948.1001.....	5
00986.0000.....	5	03633.0000.....	9	26846.0002.....	17	34956.0000.....	17
01031.0001.....	25	03803.0000.....	9	27370.0003.....	17	35052.0000.....	17
01075.0000.....	17	03803.0002.....	9	27370.0004.....	17	35052.1000.....	17
01106.0000.....	21	03807.0000.....	9	27370.0005.....	17	35070.0001.....	17
01106.0001.....	21	03851.0000.....	23	27473.0000.....	9	35086.0000.....	11
01106.0003.....	21	03996.0000.....	7	27574.0000.....	19	35094.0001.....	13
01303.0002.....	5	04831.0000.....	21	27705.0000.....	21	35094.0002.....	13
01308.0002.....	5,23	04797.0000.....	9	28037.0000.....	13	35214.1001.....	5
01308.0003.....	5	07038.0000.....	21	28909.0000.....	11	35214.1002.....	5
01308.0003.....	5	11517.0008.....	17	29327.0000.....	23	35214.1003.....	5
01309.0000.....	21	11630.0001.....	11	29421.0000.....	11	35215.1004.....	5
01311.0001.....	5	12305.1000.....	9	29446.0002.....	23	35215.1005.....	5
01311.0004.....	5	12322.1000.....	9	29969.1000.....	21	35222.1000.....	5
01317.0000.....	21	12398.0002.....	9	29969.1003.....	21	35222.1001.....	5
01317.0003.....	13	12418.0001.....	15	29970.0000.....	21	35222.1002.....	5
01327.0000.....	23	12422.0000.....	9	32018.0000.....	21	35222.1003.....	5
01347.0000.....	23	12422.0001.....	15,19	32139.0000.....	25	35222.1004.....	5
01382.0007.....	21	12422.0005.....	17	32140.0000.....	25	35222.1005.....	5
01382.0007.....	9	12422.0008.....	17	32283.0000.....	15	35222.1006.....	5
01501.0000.....	9	12422.0009.....	11	32359.0000.....	15	35222.1007.....	5
01512.0000.....	23	12437.0000.....	19	32572.1001.....	21	35227.0000.....	7
01514.0000.....	13	12499.0002.....	25	32573.0000.....	21	35227.0001.....	7
01519.0000.....	21	12565.0011.....	9	32591.0003.....	17	35227.0002.....	7
01520.0000.....	9	12570.0000.....	21	32591.0006.....	17	35227.0003.....	7
01527.0000.....	9	12756.0000.....	13	32591.0008.....	11	35227.0004.....	7
01532.0005.....	19	12757.0000.....	13	32591.1001.....	17	35227.0005.....	7
01533.0006.....	21	13054.0000.....	19	32591.1002.....	11,17	35230.0000.....	5
01590.0000.....	21	13255.0002.....	7	32595.0000.....	25	35230.0001.....	5
01592.0001.....	21	13255.0007.....	7	32643.0000.....	25	35230.0002.....	5
02308.0000.....	11	20203.0100.....	9	32643.0010.....	25	35230.0003.....	5
02308.0000.....	5,7,9,13,21	20541.0001.....	9	32649.0001.....	23	35230.0006.....	5
02325.0000.....	5	20621.0000.....	21	32833.0000.....	21	35230.0007.....	5
02328.0003.....	9	20976.0017.....	15	33089.0000.....	25	35235.1001.....	5
02434.0005.....	13	20976.0036.....	15,19	33089.0001.....	25	35236.1000.....	5
02434.0010.....	9	20976.1000.....	15	33613.0000.....	21	35236.1001.....	5
02434.0011.....	11	20976.1001.....	15,19	33634.0005.....	23	35238.0001.....	7
02434.1000.....	9,13	20976.1002.....	15,19	33634.0007.....	23	35242.0000.....	5
02434.1001.....	11	20937.0004.....	13,15	33634.0008.....	23	35242.0001.....	5
02536.0000.....	9,13,15	21003.0418.....	25	33634.0020.....	23	35243.0000.....	11
02594.0000.....	19	21801.0002.....	9	33634.0021.....	23	35247.0000.....	11
02595.0000.....	19	22305.0000.....	17	33634.0022.....	23	35250.0000.....	11
02596.1009.....	19	22305.0002.....	17	33634.0025.....	23	35253.0000.....	9
02645.1000.....	9	22305.0003.....	17	33634.0026.....	23	35256.0000.....	13
02766.0000.....	19	22728.0000.....	9	33634.0030.....	23	35308.1004.....	17
02850.0000.....	19	23254.0000.....	17	33634.0031.....	23	35565.0000.....	9

# NUMERICAL INDEX

PART NO.	PAGE NO.	PART NO.	PAGE NO.	PART NO.	PAGE NO.	PART NO.	PAGE NO.
35708.0000.....	11	M2522.1000 .....	9				
35726.0000.....	5						
35952.1003.....	23						
35952.1004.....	23						
35952.1005.....	23						
35953.0000.....	21						
35955.0000.....	21						
35955.0001.....	21						
35955.0002.....	21						
36081.0000.....	13						
36084.0000.....	13						
36086.0000.....	23						
36088.0002.....	13						
36088.0003.....	13						
36088.0006.....	13						
36089.0000.....	13						
36115.1000.....	9						
36130.0000.....	13						
36233.1005.....	15						
36233.1006.....	15						
36302.0000.....	5						
36378.0001.....	15						
36398.0000.....	7						
36883.0000.....	5						
36883.0002.....	5						
36883.0004.....	5						
36883.0005.....	5						
36885.0000.....	23						
37297.0004.....	15						
37297.1001.....	15						
37859.0002.....	23						
37881.0000.....	5						
37881.0002.....	7						
38280.0000.....	21						
38338.0000.....	23						
38358.1000.....	21						
38693.0000.....	11						
38693.1000.....	11						
38693.1001.....	11						
38695.0000.....	11						
38697.0000.....	11						
38894.0001.....	23						
39717.0000.....	23						
39717.0001.....	23						
39717.0002.....	23						
39717.0003.....	23						
39803.0000.....	7						
39981.0000.....	21						
39982.0000.....	21						
40071.0001.....	15						
40726.0000.....	21						
41259.1003.....	9						
41266.0000.....	9						
41280.0001.....	9						
41640.0000.....	15						
42749.0006.....	23						
M2517.0000 .....	13						