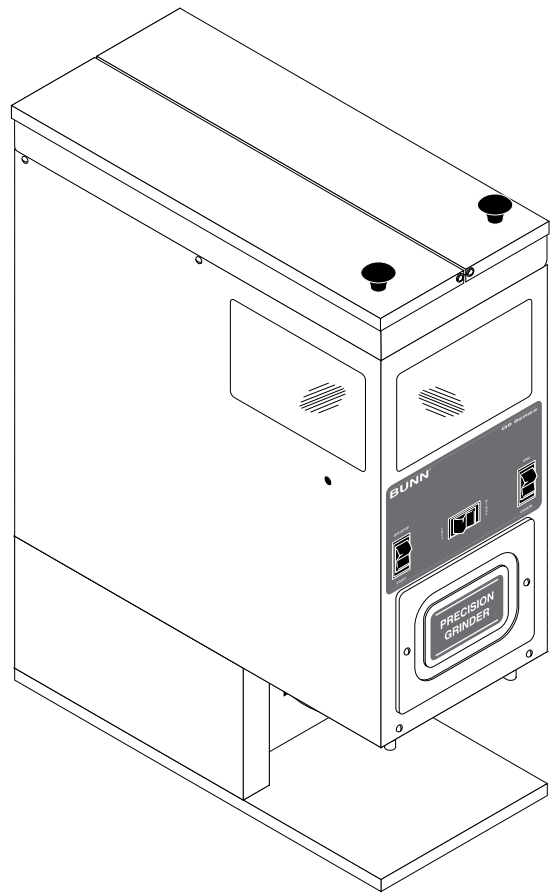
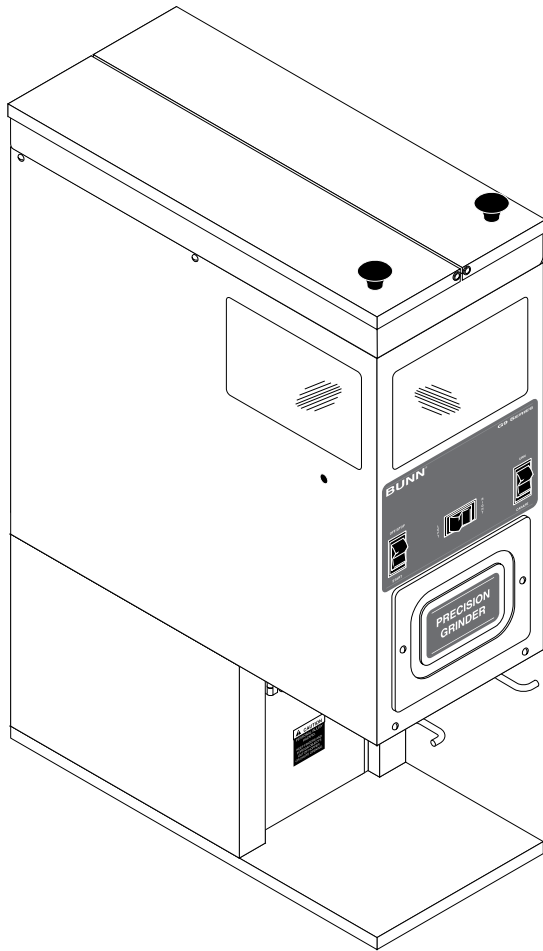


# BUNN®

***G9-2 HD  
G9-2T HD  
G9-2 HD-S***



## ILLUSTRATED PARTS CATALOG

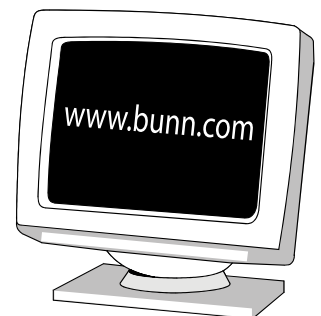
Designs, materials, weights, specifications, and dimensions for equipment or replacement parts are subject to change without notice.

**BUNN-O-MATIC CORPORATION**

POST OFFICE BOX 3227

SPRINGFIELD, ILLINOIS 62708-3227

PHONE: (217) 529-6601 FAX: (217) 529-6644



**BUNN-O-MATIC COMMERCIAL PRODUCT WARRANTY**

Bunn-O-Matic Corp. ("BUNN") warrants equipment manufactured by it as follows:

- 1) Airpots, thermal carafes, decanters, GPR servers, iced tea/coffee dispensers, MCR/MCP/MCA single cup brewers, thermal servers and ThermoFresh® servers (mechanical and digital) 1 year parts and 1 year labor.
- 2) All other equipment - 2 years parts and 1 year labor plus added warranties as specified below:
  - a) Electronic circuit and/or control boards - parts and labor for 3 years.
  - b) Compressors on refrigeration equipment - 5 years parts and 1 year labor.
  - c) Grinding burrs on coffee grinding equipment to grind coffee to meet original factory screen sieve analysis - parts and labor for 4 years or 40,000 pounds of coffee, whichever comes first.

These warranty periods run from the date of installation BUNN warrants that the equipment manufactured by it will be commercially free of defects in material and workmanship existing at the time of manufacture and appearing within the applicable warranty period. This warranty does not apply to any equipment, component or part that was not manufactured by BUNN or that, in BUNN's judgment, has been affected by misuse, neglect, alteration, improper installation or operation, improper maintenance or repair, non periodic cleaning and descaling, equipment failures related to poor water quality, damage or casualty. In addition, the warranty does not apply to replacement of items subject to normal use including but not limited to user replaceable parts such as seals and gaskets. This warranty is conditioned on the Buyer 1) giving BUNN prompt notice of

any claim to be made under this warranty by telephone at (217) 529-6601 or by writing to Post Office Box 3227, Springfield, Illinois 62708-3227; 2) if requested by BUNN, shipping the defective equipment prepaid to an authorized BUNN service location; and 3) receiving prior authorization from BUNN that the defective equipment is under warranty.

**THE FOREGOING WARRANTY IS EXCLUSIVE AND IS IN LIEU OF ANY OTHER WARRANTY, WRITTEN OR ORAL, EXPRESS OR IMPLIED, INCLUDING, BUT NOT LIMITED TO, ANY IMPLIED WARRANTY OF EITHER MERCHANTABILITY OR FITNESS FOR A PARTICULAR PURPOSE.** The agents, dealers or employees of BUNN are not authorized to make modifications to this warranty or to make additional warranties that are binding on BUNN. Accordingly, statements by such individuals, whether oral or written, do not constitute warranties and should not be relied upon.

If BUNN determines in its sole discretion that the equipment does not conform to the warranty, BUNN, at its exclusive option while the equipment is under warranty, shall either 1) provide at no charge replacement parts and/or labor (during the applicable parts and labor warranty periods specified above) to repair the defective components, provided that this repair is done by a BUNN Authorized Service Representative; or 2) shall replace the equipment or refund the purchase price for the equipment.

**THE BUYER'S REMEDY AGAINST BUNN FOR THE BREACH OF ANY OBLIGATION ARISING OUT OF THE SALE OF THIS EQUIPMENT, WHETHER DERIVED FROM WARRANTY OR OTHERWISE, SHALL BE LIMITED, AT BUNN'S SOLE OPTION AS SPECIFIED HEREIN, TO REPAIR, REPLACEMENT OR REFUND.**

In no event shall BUNN be liable for any other damage or loss, including, but not limited to, lost profits, lost sales, loss of use of equipment, claims of Buyer's customers, cost of capital, cost of down time, cost of substitute equipment, facilities or services, or any other special, incidental or consequential damages.

392, A Partner You Can Count On, Air Infusion, AutoPOD, AXIOM, BrewLOGIC, BrewMETER, Brew Better Not Bitter, Brew-WISE, BrewWIZARD, BUNN Espresso, BUNN Family Gourmet, BUNN Gourmet, BUNN Pour-O-Matic, BUNN, BUNN with the stylized red line, BUNNlink, Bunn-OMatic, Bunn-O-Matic, BUNNserve, BUNNSERVE with the stylized wrench design, Cool Froth, DBC, Dr. Brew stylized Dr. design, Dual, Easy Pour, EasyClear, EasyGard, FlavorGard, Gourmet Ice, Gourmet Juice, High Intensity, iMIX, Infusion Series, Intellisteam, My Café, Phase Brew, PowerLogic, Quality Beverage Equipment Worldwide, Respect Earth, Respect Earth with the stylized leaf and coffee cherry design, Safety-Fresh, savemycoffee.com, Scale-Pro, Silver Series, Single, Smart Funnel, Smart Hopper, SmartWAVE, Soft Heat, SplashGard, The Mark of Quality in Beverage Equipment Worldwide, ThermoFresh, Titan, trifecta, TRIFECTA (stylized logo), Velocity Brew, Air Brew, Beverage Bar Creator, Beverage Profit Calculator, Brew better, not bitter., Build-A-Drink, BUNNSource, Coffee At Its Best, Cyclonic Heating System, Daypart, Digital Brewer Control, Element, Milk Texturing Fusion, Nothing Brews Like a BUNN, Picture Prompted Cleaning, Pouring Profits, Signature Series, Sure Tamp, Tea At Its Best, The Horizontal Red Line, Ultra are either trademarks or registered trademarks of Bunn-O-Matic Corporation. The commercial trifecta® brewer housing configuration is a trademark of Bunn-O-Matic Corporation.

**TABLE OF CONTENTS**

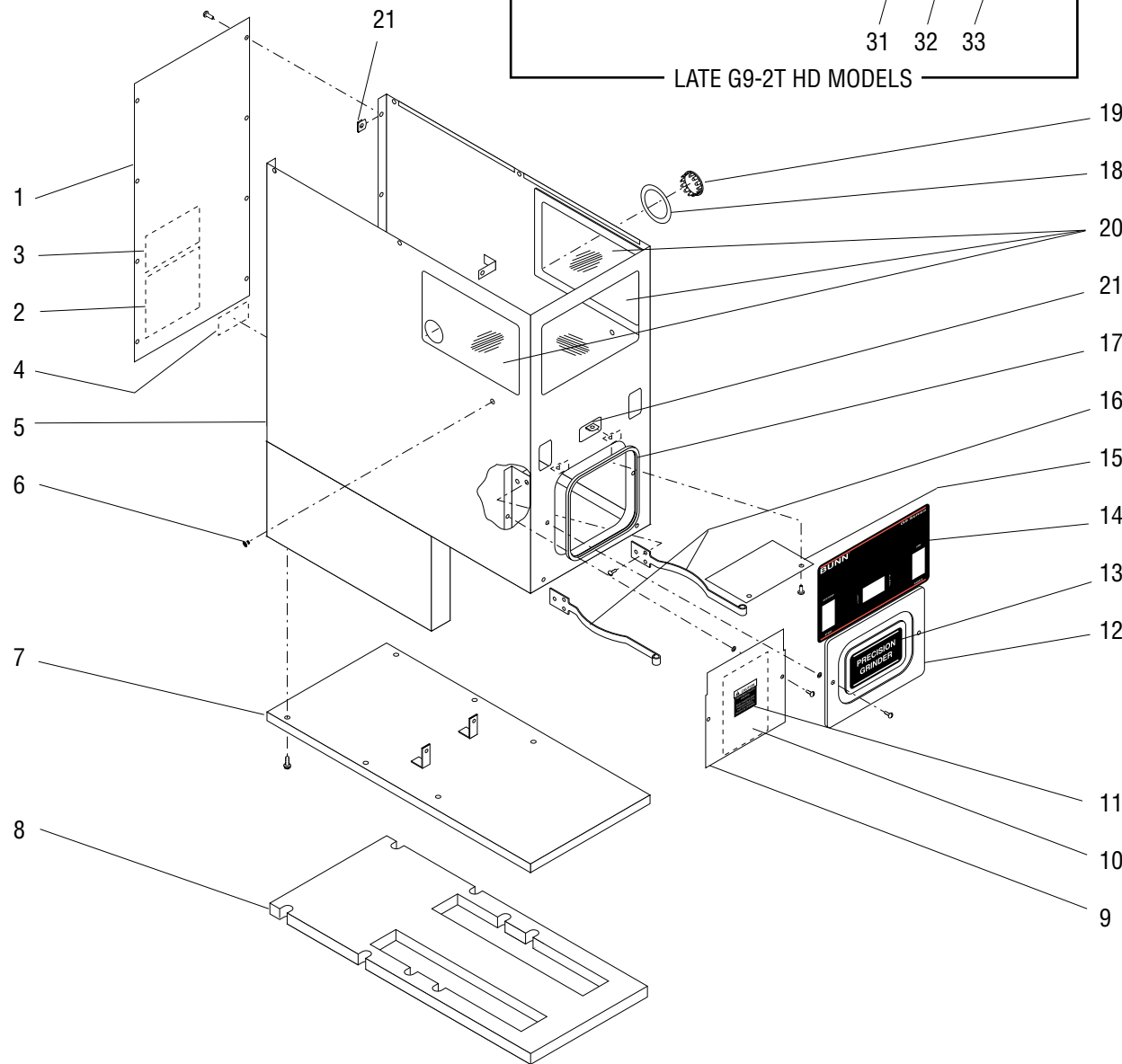
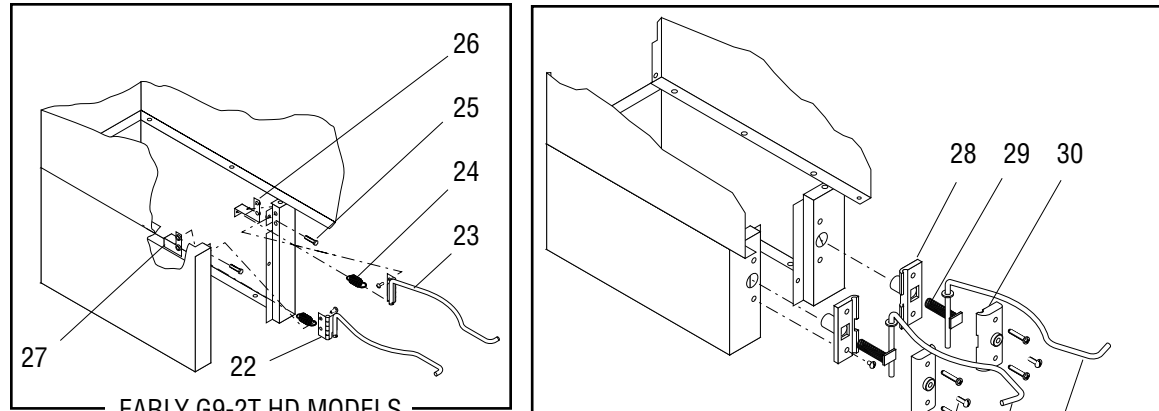
Electrical Controls .....16

Hopper, Lid and Slide Plate Assy.....8

Housing, Base and Panels.....4

Motor, Burr Housing and Mounting Plate.....12

Numerical Index.....20



P565.40

**HOUSING, BASE AND PANELS**

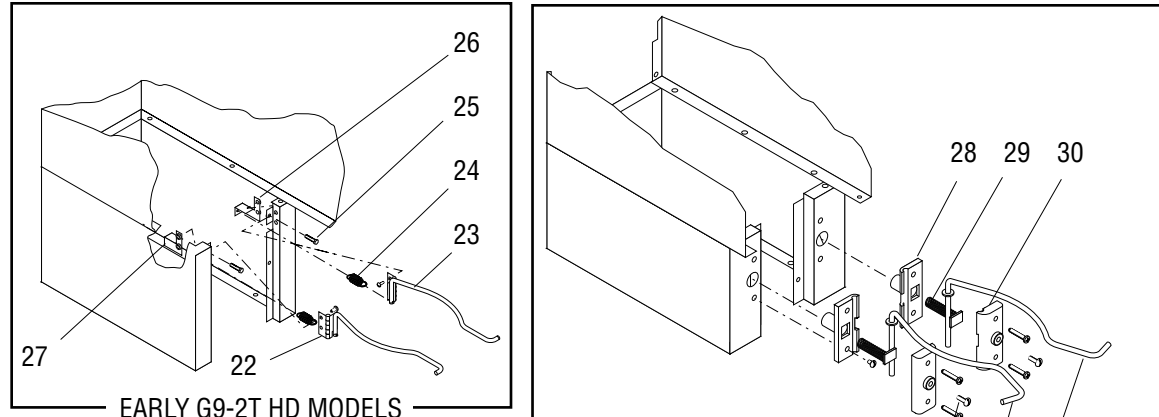
ITEM	PART NO.	QTY.	DESCRIPTION
1	05844.1000	1	Rear Panel W/Decal (Includes items 2 & 3)
	01315.0000	8	Screw, Truss Head #8-32 x .38"
	01311.0003	8	Screw, Truss Head Blk #8-32 x .38"
2	20545.0000	1	Decal, Warning Electrical
3	37881.0000	1	Decal, No Serviceable Parts
4	24237.0000	1	Decal, Notice - Interface Voltage
5	25407.0000	1	Housing Assy W/Decals (G9-2 HD 120V)
	25407.0004	1	Housing Assy W/Decals (BLK) (G9-2 HD 120V)
	25407.0003	1	Housing Assy W/Decals (G9-2 HD 230V)
	25408.0000	1	Housing Assy W/Decals SST (G9-2T HD 120V)
	25408.0002	1	Housing Assy W/Decals (G9-2T HD 230V)
25408.0003	1	Housing Assy W/Decals Blk (G9-2T HD 120V)	
			Includes items 4, 18 & 20 Also order item 14
6	05921.0000	1	Plug, Hole .25" Dia.
7	05809.0000	1	Base (G9-2 HD & G9-2 HD-S)
	05809.0002	1	Base (G9-2 HD) (BLK)
	05752.0000	1	Base (G9-2T HD)
	02311.0000	6	Screw, Hex Crimptite #10-32 x .50"
8	05816.0000	1	Pad, Base
9	20798.1003	1	Panel Assy W/Decals (120V) (G9-2 HD)
	20798.1014	1	Panel Assy W/Decals (BLK) (120V) (G9-2 HD)
	20798.1004	1	Panel Assy W/Decals SST (120V) (G9-2T HD W/O or 2 batch sel.)
	20798.1012	1	Panel Assy W/Decals Blk (120V) (G9-2T HD W/O or 2 batch sel.)
	20798.1011	1	Panel Assy W/Decals (120V) (G9-2T HD 3 batch sel.)
	20798.1005	1	Panel Assy W/Decals (230V, 240V) (G9-2 HD)
	20798.1006	1	Panel Assy W/Decals (240V) (G9-2T HD)
	20798.1009	1	Panel Assy W/Decals (120V) (G9-2 HD-S)
	01380.0000	2	Screw, Truss Head #6-32 x .50"
01382.0002	2	Screw, Truss Head Blk #6-32 x .50"	
01518.0000	2	Washer, Screw Retaining #6	
10	10756.0000	1	Schematic/Time Chart 120V (W/O or 2 batch sel.)
	10756.0002	1	Schematic/Time Chart 120V (3 batch sel.)
	10756.0001	1	Schematic/Time Chart 120V (G9-2 HD-S)
	10768.0000*	1	Schematic/Time Chart 240V
11	05876.0000	1	Decal, Caution
12	21620.1004	1	Cover Assy W/Decal SST (Includes screws and washers below and item 13)
	21620.1011	1	Cover Assy W/Decal Blk (Includes screws and washers below and item 13)
	01380.0000	2	Screw, Truss Head #6-32 x .50"
	01382.0002	2	Screw, Truss Head Blk #6-32 x .50"
	01518.0000	2	Washer, Screw Retaining #6
13	24240.0000	1	Decal, Precision Grinder (Early Models)
	33735.0002	1	Decal, Ground Fresh (Late Models)
14	24239.0000	1	Decal, Control Panel (No batch sel.)
	24239.0001	1	Decal, Control Panel (2 batch sel.) (Shown)
	-----	1	Decal, Control Panel (3 batch sel.) (Not available)

Includes screws and washers below and items 10 & 11

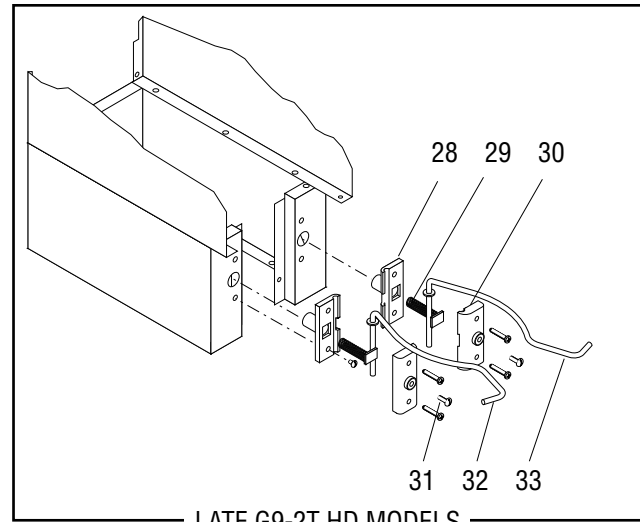
(Continued)

\* Indicates the part number listed is for reference only. See DESCRIPTION for possible service replacement.

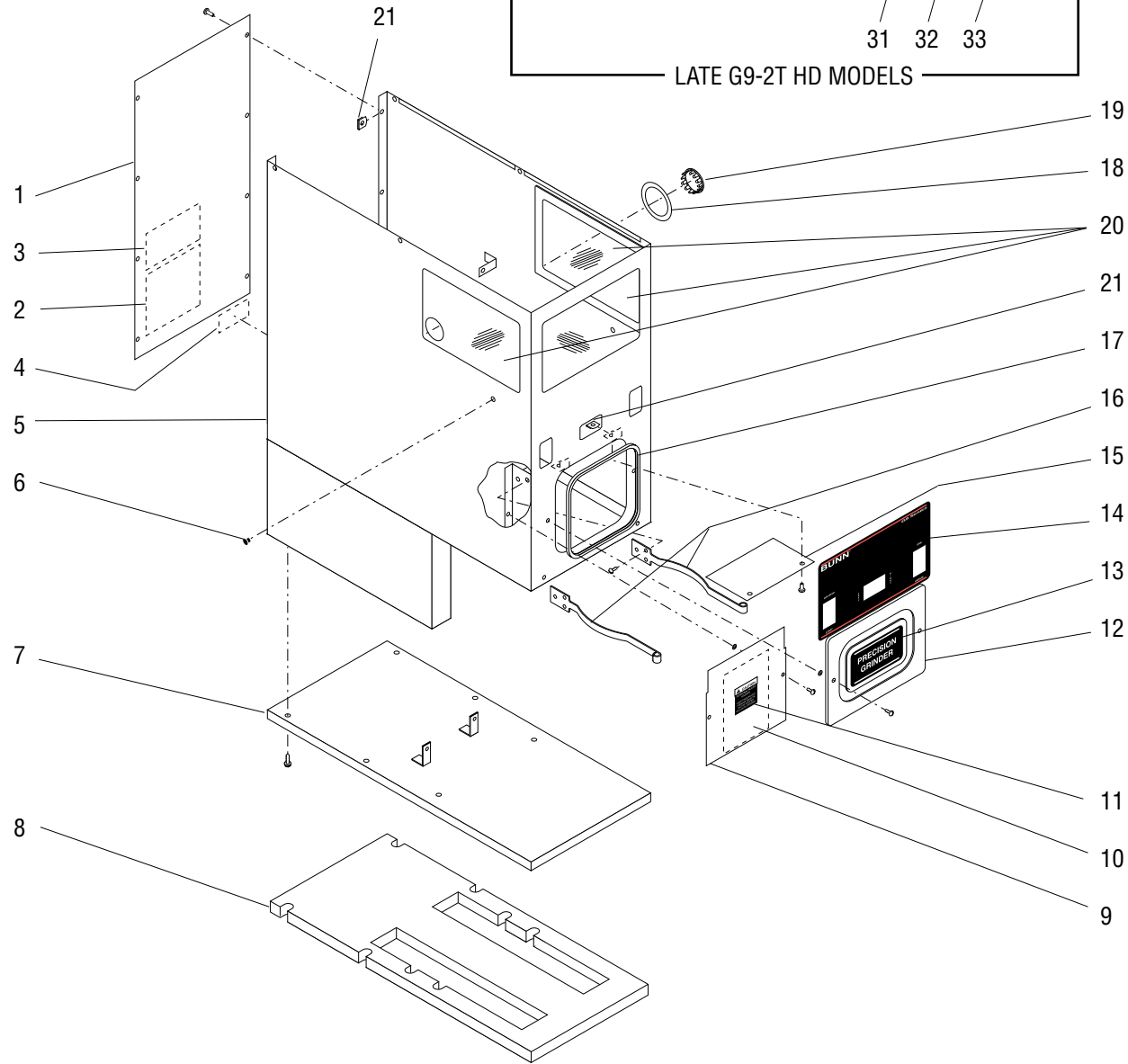
(Continued)



EARLY G9-2T HD MODELS



LATE G9-2T HD MODELS



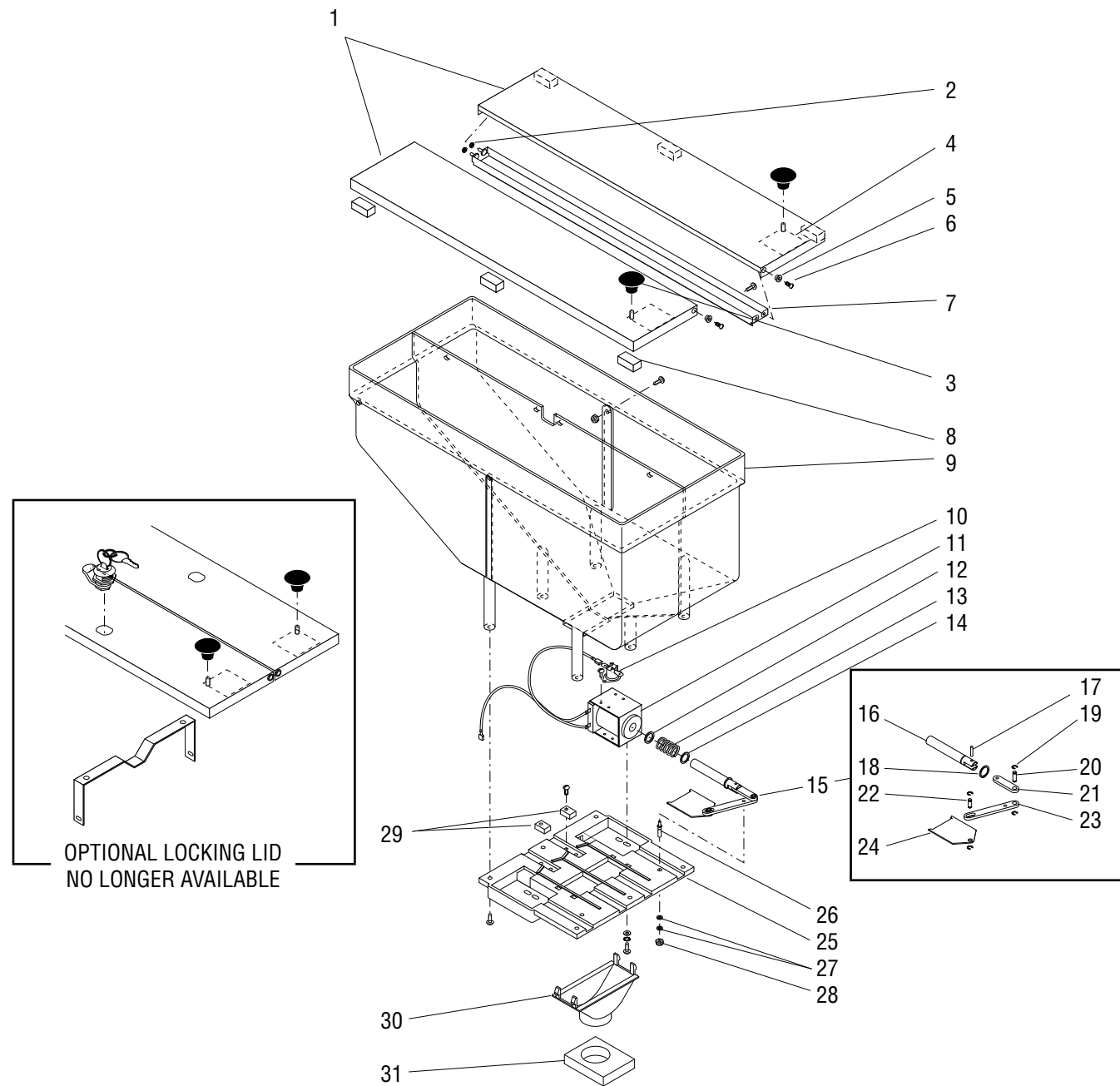
**HOUSING, BASE AND PANELS**

ITEM	PART NO.	QTY.	DESCRIPTION
15	05827.0000	1	Plate, Switch Shield
	02308.0000	2	Screw, Pan Head #8-32 x .38"
	00912.0000	2	Clip, J-Type #8-32 (Late Models only)
16	05839.0000	2	Funnel Rail
	02308.0000	4	Screw, Pan Head #8-32 x .38"
17	-----	1	Edging 19.15" (Order item 34)
18	05884.0000	1	Decal, Motor Reset
19	02999.0000	1	Plug, Hole 1.19" Dia.
20	05814.0001	3	Window Assy (Includes adhesive)
21	00917.0000	8	Clip, J-Type #8-32
22	-----	1	Funnel Rail, Left
	02308.0000	2	Screw, Pan Head #8-32 x .38"
23	-----	1	Funnel Rail, Right
	02308.0000	2	Screw, Pan Head #8-32 x .38"
24	-----	2	Spring
25	-----	2	Screw, Stop #8-32 x .75"
26	-----	1	Bracket, Right Spring
27	-----	1	Bracket, Left Spring
28	32561.0000	2	Bracket, Inner Spring
29	32570.0000	2	Spring
30	39586.1000	2	Bracket, Outer Spring
	01326.0008	4	Screw, Truss Head BLK #10-32 x 1.25"
31	01317.0000	2	Screw, Adjustment, Truss Head BLK #8-32 x .50"
32	32568.0001	1	Funnel Rail, Left
33	32569.0001	1	Funnel Rail, Right
34	38278.1002	-	Edging 36.0" (Cut to required length)

Early Model G9-2T HD only  
Order Kit #49283

Late Model G9-2T HD only

\* Indicates the part number listed is for reference only. See DESCRIPTION for possible service replacement.



P2363.45

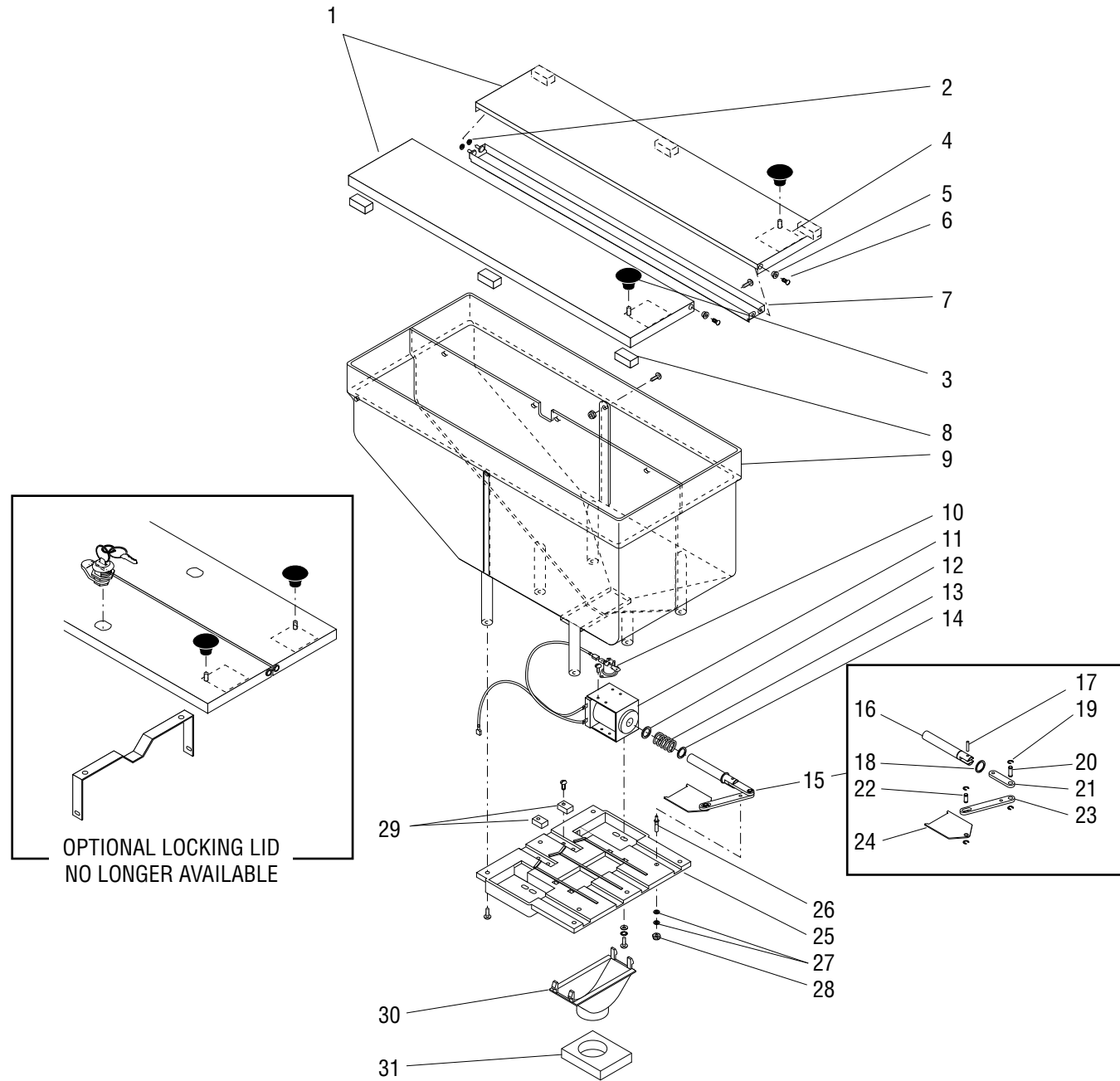
HOPPER, LID & SLIDE PLATE ASSEMBLY

ITEM	PART NO.	QTY.	DESCRIPTION
1	29362.1008	1	Lid Assy, Left SST (Includes items 3,4 & 8)
	29362.1009	1	Lid Assy, Right SST (Includes items 3,4 & 8)
	29362.1010	1	Lid Assy, Left BLK (Includes items 3,4 & 8)
	29362.1011	1	Lid Assy, Right BLK (Includes items 3,4 & 8)
2	26033.0001	2	Bearing, Snap-in (Early Models)
	21438.0001	2	Washer, Shoulder .144" I.D. (Late Models)
3	00725.0000	2	Knob
4	05876.0000	2	Decal, Caution
5	21438.0001	4	Washer, Shoulder .144" I.D.
6	02328.0000	2	Screw, Pan Head SST #6-32 x .375"
	01382.0007	2	Screw, Truss Head BLK #6-32 x .375"
7	29358.0002	1	Channel, Hopper Lid Mounting SST
	29358.0001	1	Channel, Hopper Lid Mounting BLK
	02328.0000	4	Screw, Pan Head #6-32 x .38"
8	41114.0000	6	Bumper
9	05960.0000	1	Hopper Assy W/Inserts
	02367.0000	2	Screw, Truss Head #6-32 x .62"
	01380.0000	2	Screw, Truss Head #6-32 x .50"
	00991.0002	4	Nut, Hex #6-2
10	23917.0000	2	Limit Thermostat
	01311.0001	8	Screw, Truss Head #8-32 x .25" Lkg.
11	05939.0003	2	Solenoid Assy 120V
	05939.0004	2	Solenoid Assy 230V
	05939.0007	2	Solenoid Assy 100V
	02308.0000	8	Screw, Pan Head #8-32 x .38"
	01501.0000	8	Washer, Flat
12	23923.0000	2	Washer, Fiber .063" Thick
13	23918.0000	2	Spring
14	23922.0000	2	Washer, Retaining .035" Thick
15	05969.0000	2	Slide Plate/Linkage Assy (Includes items 16 thru 24)
16	-----	2	Plunger (Not available seperately order item 15)
17	02858.0000	2	Pin, Spring .125" x .50"
18	23919.0000	2	Snap Ring
19	01403.0000	8	E-Ring
20	05914.0002	2	Pin, Linkage .19" x .39"
21	05911.0001	2	Link, Slide Plate (Short)
22	05914.0001	2	Pin, Linkage .19" x .30"

(Continued)

\* Indicates the part number listed is for reference only. See DESCRIPTION for possible service replacement.

(Continued)

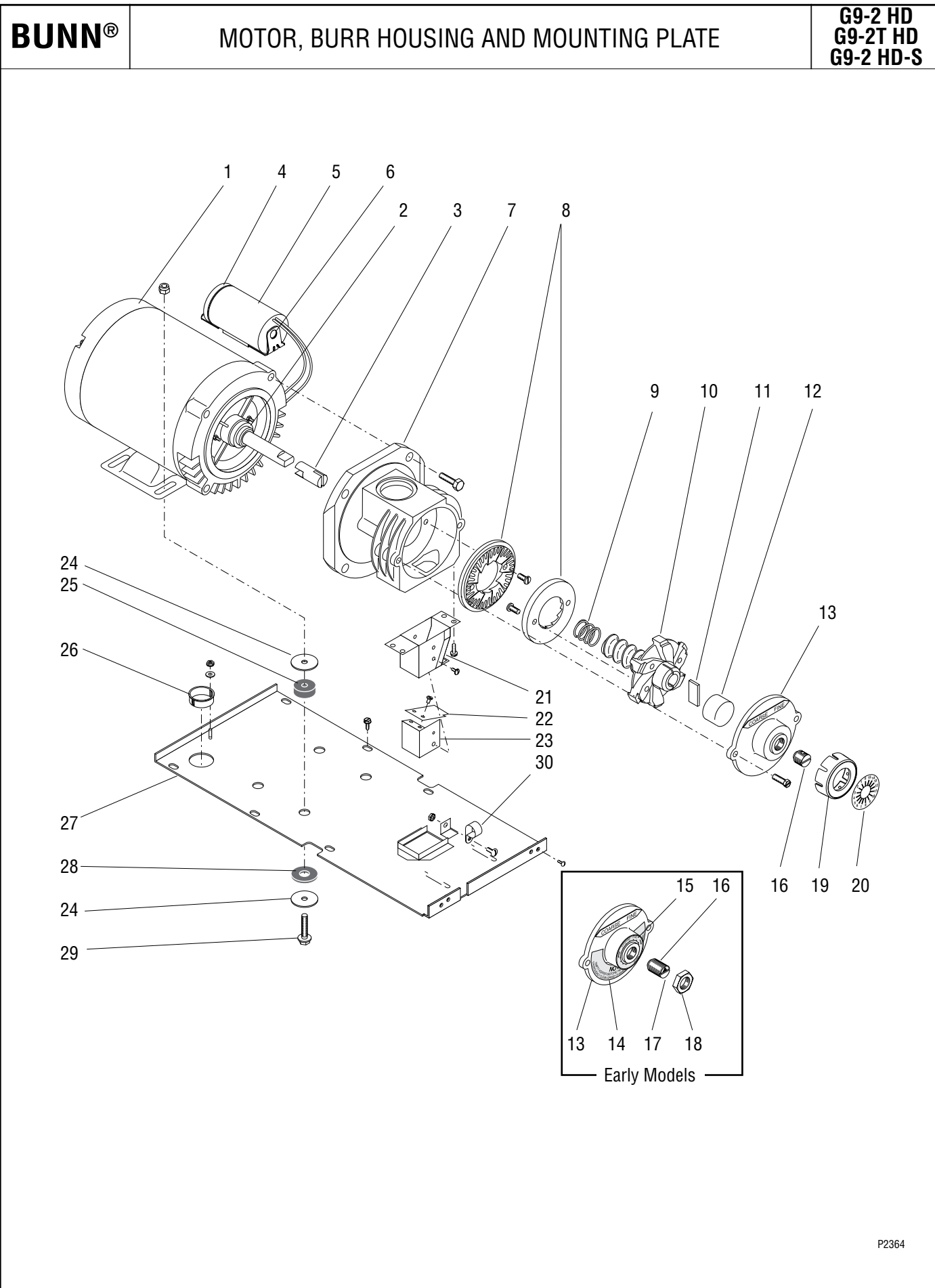


P2363.45

HOPPER, LID & SLIDE PLATE ASSEMBLY

ITEM	PART NO.	QTY.	DESCRIPTION
23	05910.0000	2	Link, Slide Plate (Long)
24	05912.1000	2	Slide Plate
25	05959.0001 01317.0000	1 6	Mounting Panel Assy, Slide Plate (Includes items 26, 27 & 28) Screw, Truss Head #8-32 x .50"
26	23920.0000	2	Pin, Pivot
27	01547.0000	4	Spacer .062" Thick
28	00991.0000	2	Nut, Elastic Lock #8-32
29	23921.0000 02336.0000	2 2	Block, Stop Screw, Truss Head #4-20 x .38" } Early Models
30	05916.0000	1	Collector
31	21457.0001	1	Gasket, Burr Housing/Collector

\* Indicates the part number listed is for reference only. See DESCRIPTION for possible service replacement.



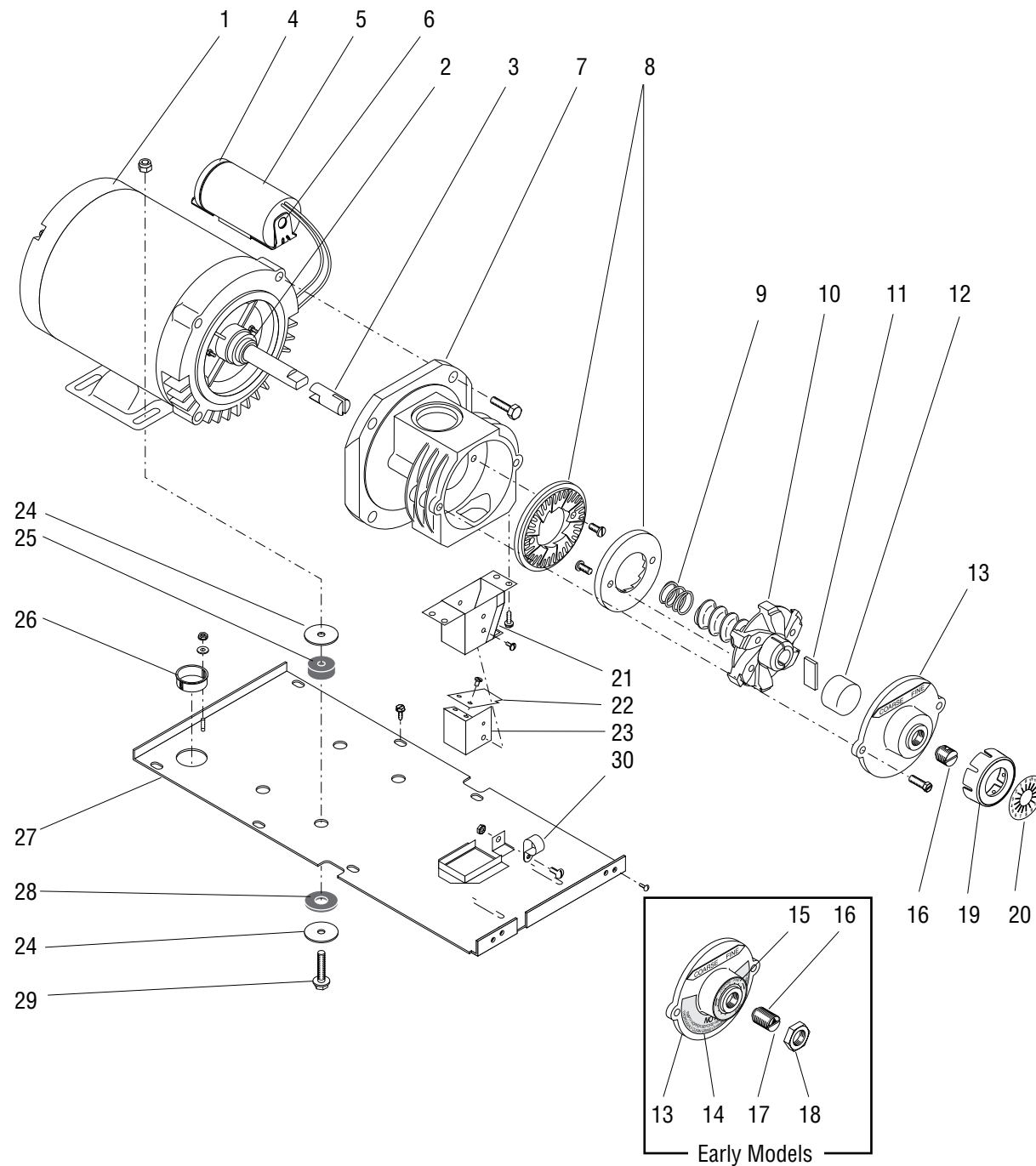
MOTOR, BURR HOUSING AND MOUNTING PLATE

ITEM	PART NO.	QTY.	DESCRIPTION
1	11029.1005	1	Motor Assy 120V (Includes items 2-6)
	11029.1006	1	Motor Assy 100V & 230V (Includes items 2-6)
2	05870.0000	1	Bushing, Bronze
3	11191.0001	1	Shaft Extension
4	35249.0000	1	Capacitor
5	35906.0000	1	Cap
6	35233.0000	1	Bracket
	37204.0000	2	Screw, Flat Head 10-32 x .375"
7	11180.0000	1	Burr Housing
	02313.0000	4	Screw, Hex Head .38"-16 x 1.0"
8	05861.1002	1	Burr Set (Includes 2 Burrs and Screws below)
	02314.0000	4	Screw, Pan Head .25"-20 x .50"
9	11192.0000	1	Spring
10	11185.0001	1	Burr Auger Rotor/Spring Assy (Includes item 9)
11	05852.0001	1	Shear Plate
12	00622.0000	1	Cup, Burr Rotor (Standard)
	00622.0001	1	Cup, Burr Rotor (Heavy Duty)
13	05867.0000	1	Cap, Burr Housing
	20631.0000	2	Screw, Slotted Hex Head .25"-20 x .75"
14	05868.0000	1	Decal, Housing Cover
15	05880.0000	1	Decal, Grind Indicator
16	05864.0000	1	Adjusting Screw (Early Models)
	35184.0000	1	Adjusting Screw (Late Models) } Also order item 17
17	05796.0000	1	Decal, Adjusting Screw
18	00989.0000	1	Nut, Locking (Early Models)
19	34107.0000	1	Cap, Indicator Adjustment
20	34213.0000	1	Decal, Burr Adjustment
21	05951.0000	1	Chute
	02330.0001	4	Screw, Slotted Hex Head #10-24 x .375"
22	05995.0000	1	Dechaffer Plate
	02327.0002	2	Screw, Pan Head #4-40 x .312"
23	05954.0000	1	Dechaffer Assy (Includes item 19)
	02328.0002	1	Screw, Pan Head #6-32 x .188"
24	01539.0000	8	Washer, Flat
25	05881.0000	4	Bushing

(Continued)

\* Indicates the part number listed is for reference only. See DESCRIPTION for possible service replacement.

(Continued)



P2364

MOTOR, BURR HOUSING AND MOUNTING PLATE

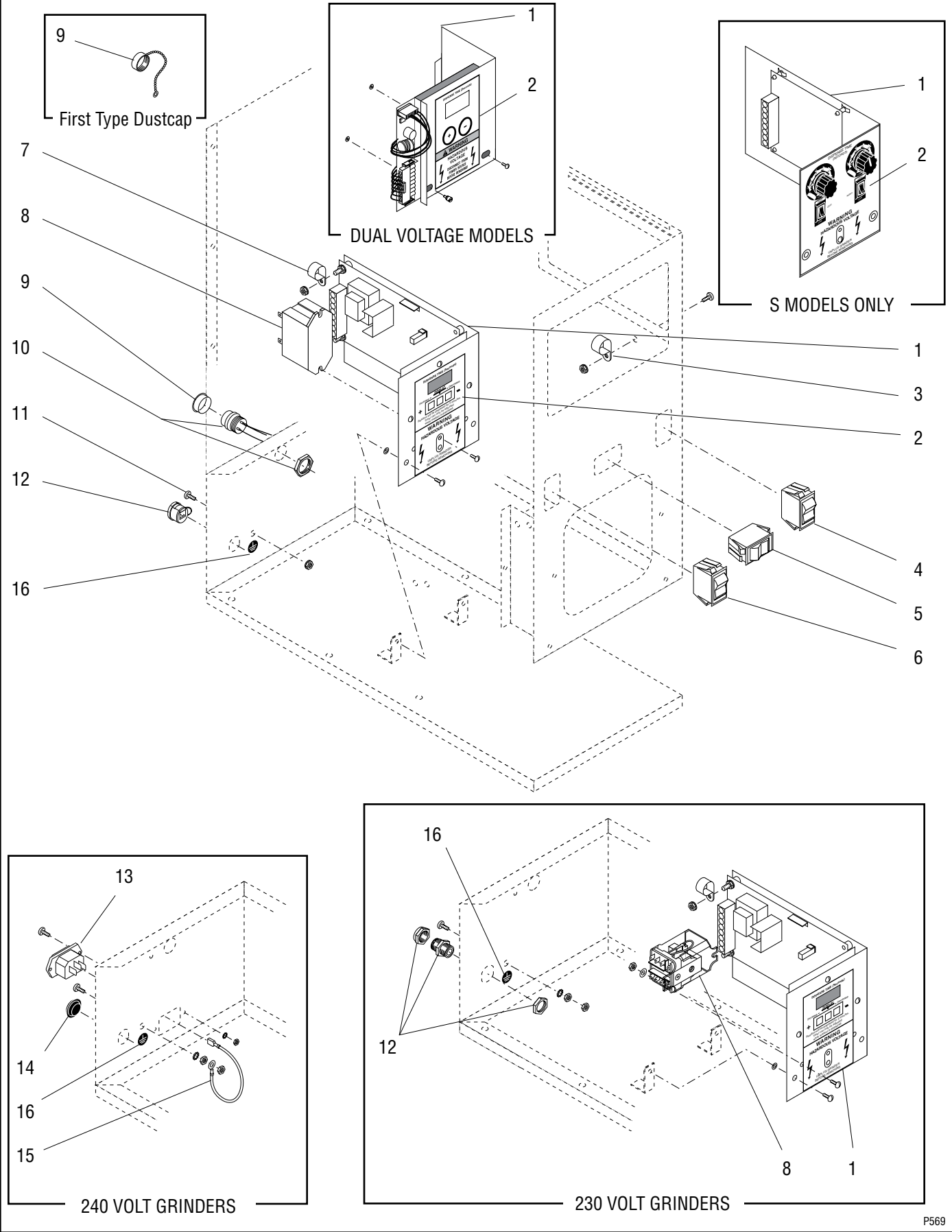
ITEM	PART NO.	QTY.	DESCRIPTION
26	00718.0000	1	Bushing 1.125" Dia. Hole
27	29883.0002	1	Plate, Motor Mounting
	02311.0000	6	Screw, Slotted Hex Head #10-32 x .50"
	01347.0000	2	Screw, Truss Head #6-32 x .38"
28	05882.0000	4	Washer 1.50" Dia.
29	02312.0000	4	Screw, Hex Washer Head .312"-18 x 1.50"
	00987.0000	4	Nut, Lock .312"-18
30	05920.0000	1	Clamp, Cable .250" I.D.
	01315.0000	1	Screw, Truss Head #8-32 x .375"
	00970.0000	1	Nut, Keps #8-32

\* Indicates the part number listed is for reference only. See DESCRIPTION for possible service replacement.



**ELECTRICAL CONTROLS**

**G9-2 HD  
G9-2T HD  
G9-2 HD-S**



**ELECTRICAL CONTROLS**

ITEM	PART NO.	QTY.	DESCRIPTION
1	32064.1000	1	Timer/Bracket Assy (120V Models)
	32064.1001	1	Timer/Bracket Assy (230V Models)
	25623.1000	1	Timer/Bracket Assy (120V) (S Models only)
	28062.0000	1	Thumbscrew
	01315.0000	2	Screw, Truss Head #8-32 x .375"
	01516.0000	2	Washer, Screw Retaining
2	-----	1	Decal, Timer (All other Models)
	-----	1	Decal, Timer (S Models only)
3	00603.0000	4	Clamp, cable .438" I.D. (2 less used on late grinders)
	01315.0000	1	Screw, Truss Head #8-32 x .375" (SST Grinders)
	02322.0002	1	Screw, Truss Head Black #8-32 x .375" (Black Grinders)
	00970.0000	3	Nut, Keps #8-32 (2 less used on late grinders)
4	06536.0000	1	Switch, 2 batch selection (SST Grinders with Multi Set Option only)
	29107.0000	1	Switch, 3 batch selection (SST Grinders with Multi Set Option only)
5	39178.0000	1	Switch, Hopper Selection
6	05815.0000	1	Switch, Off/On/Start
7	05920.0000	1	Clamp, cable .25" I.D.
	00973.0000	1	Nut, Keps #6-32
8	37711.1002	1	Relay (120V Grinders)
	05892.0000	1	Relay (240V Grinders)
	37711.0001	1	Relay (230V Grinders)
	01347.0000	1	Screw, Truss Head #6-32 x .375"
9	-----	1	Dustcap W/Chain (First type not available order second type cap)
	27657.0000	1	Cap, Dust (Second type)
10	12274.0002	1	Socket Assy W/Leads, Interface
11	01327.0000	1	Screw, Ground Truss Head SST #10-32 x .38"
	00991.0003	1	Nut, Elastic Lock #10-32
12	01686.0000	1	Bushing, Strain Relief (120V Grinders)
	05746.0000	1	Bushing, Strain Relief (230V Grinders)
13	01908.0000	1	Power Connector
	01362.0000	2	Screw, Oval Head #4-40 x .50"
	01509.0000	2	Lockwasher, External Tooth #4
	00937.0000	1	Nut, Hex #4-40
14	05749.0001	1	Plug, .625" Dia.
15	21016.0013*	1	Lead, Elect. Grn/Yel 4.0" (Ground)
	01375.0000	1	Screw, Brass Pan Head #10-32 x .50"
	01512.0000	1	Lockwasher, External Tooth #10
	00909.0000	1	Nut, Brass #10-32
16	00824.0002	1	Decal, Ground

Includes screws and washers below and item 2

Order item 1

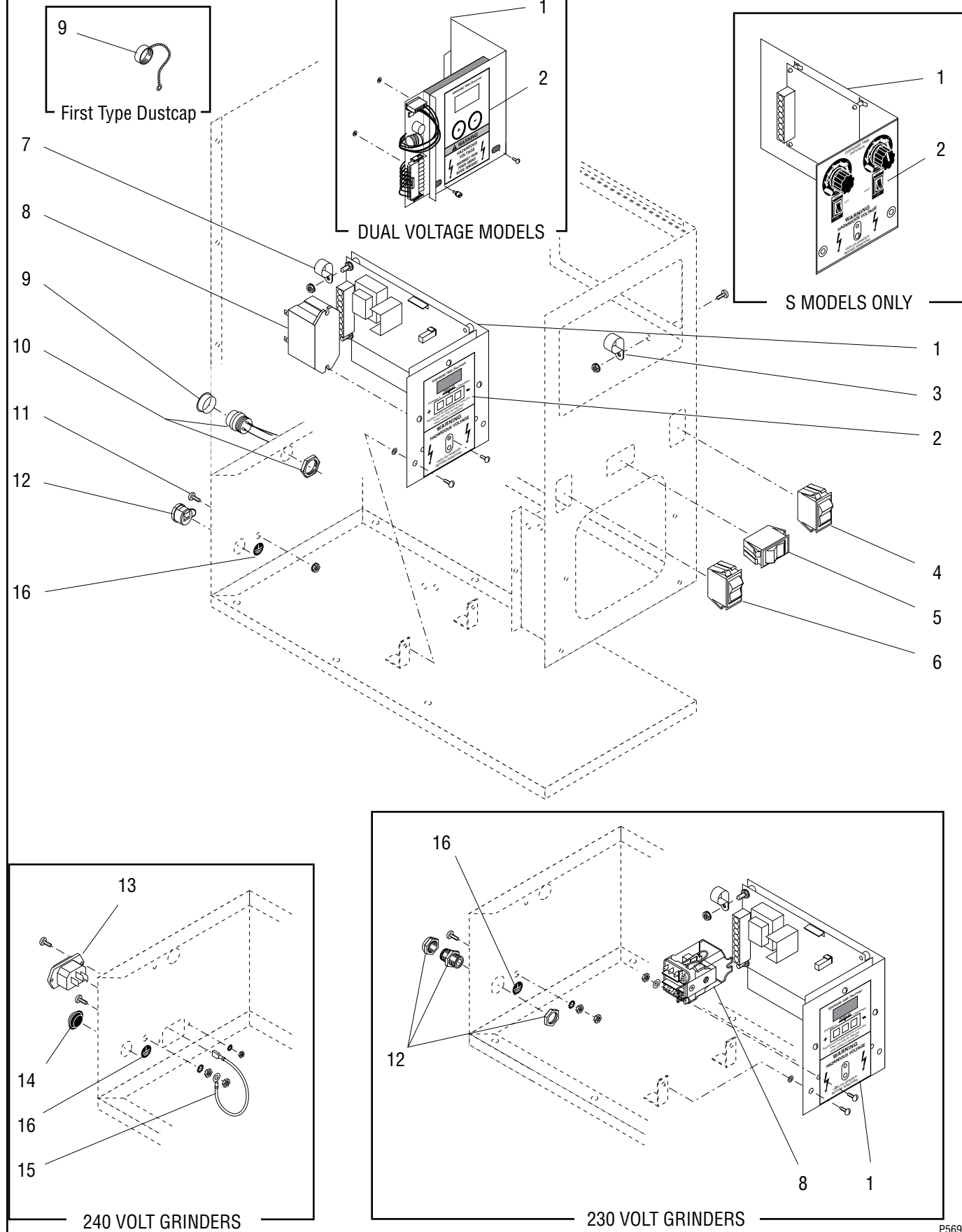
All except S Models

240 Volt Grinders only

(Continued)

\* Indicates the part number listed is for reference only. See DESCRIPTION for possible service replacement.

(Continued)



**ELECTRICAL CONTROLS**

ITEM	PART NO.	QTY.	DESCRIPTION
Note: The following items are not illustrated			
17	24241.1000 24330.0000 28126.0000	1 1 1	Wiring Harness, Main (120V Grinders) Wiring Harness, Main (240V Grinders) Wiring Harness, Main (230V Grinders)
18	24242.0000	1	Wiring Harness, Switch/Interface
19	-----	1	Wiring Harness, (3 batch selector switch)(Not available)
20	05188.0002	1	Cable, Interface
21	21005.0561	2	Lead, Electrical White/Black 10.0" (Hopper Solenoid to Main Harness)
22	40699.0004 27728.0001	1 1	Cord Assy, Power 120V Cord Assy, Power 230V
23	00669.0000	1	Plug, Hole .625" Dia. (Models W/O Interface)
24	22749.0000	2	Pad, Cable Tie (Self adhesive) (Early models)
25	00617.0000	2	Tie, Cable (Early models)

\* Indicates the part number listed is for reference only. See DESCRIPTION for possible service replacement.

## NUMERICAL INDEX

PART NO.	PAGE NO.	PART NO.	PAGE NO.	PART NO.	PAGE NO.	PART NO.	PAGE NO.
00603.0000	17	02999.0000	7	20545.0000	5	32569.0001	7
00617.0000	19	05188.0002	19	20631.0000	13	32570.0000	7
00622.0000	13	05746.0000	17	20798.1003	5	33735.0002	5
00622.0001	13	05749.0001	17	20798.1004	5	34107.0000	13
00669.0000	19	05752.0000	5	20798.1005	5	34213.0000	13
00718.0000	15	05796.0000	13	20798.1006	5	35184.0000	13
00725.0000	9	05809.0000	5	20798.1009	5	35233.0000	13
00824.0002	17	05809.0002	5	20798.1011	5	35249.0000	13
00909.0000	17	05814.0001	7	20798.1012	5	35906.0000	13
00912.0000	7	05815.0000	17	20798.1014	5	37204.0000	13
00917.0000	7	05816.0000	5	21005.0561	19	37711.0001	17
00937.0000	17	05827.0000	7	21016.0013	17	37711.1002	17
00970.0000	15,17	05839.0000	7	21438.0001	9	37881.0000	5
00973.0000	17	05844.1000	5	21457.0001	11	38278.1002	7
00987.0000	15	05852.0001	13	21620.1004	5	39178.0000	17
00989.0000	13	05861.1002	13	21620.1011	5	39586.1000	7
00991.0000	11	05864.0000	13	22749.0000	19	40699.0004	19
00991.0002	9	05867.0000	13	23917.0000	9	41114.0000	9
00991.0003	17	05868.0000	13	23918.0000	9		
01311.0001	9	05870.0000	13	23919.0000	9		
01311.0003	5	05876.0000	5,9	23920.0000	11		
01315.0000	5,15,17	05880.0000	13	23921.0000	11		
01317.0000	7,11	05881.0000	13	23922.0000	9		
01326.0008	7	05882.0000	15	23923.0000	9		
01327.0000	17	05884.0000	7	24237.0000	5		
01347.0000	15,17	05892.0000	17	24239.0000	5		
01362.0000	17	05910.0000	11	24239.0001	5		
01375.0000	17	05911.0001	9	24240.0000	5		
01380.0000	5,9	05912.1000	11	24241.1000	19		
01382.0002	5	05914.0001	9	24242.0000	19		
01382.0002	5	05914.0002	9	24330.0000	19		
01382.0007	9	05916.0000	11	25407.0000	5		
01403.0000	9	05920.0000	15,17	25407.0003	5		
01501.0000	9	05921.0000	5	25407.0004	5		
01509.0000	17	05939.0003	9	25408.0000	5		
01512.0000	17	05939.0004	9	25408.0002	5		
01516.0000	17	05939.0007	9	25408.0003	5		
01518.0000	5	05951.0000	13	25623.1000	17		
01539.0000	13	05954.0000	13	26033.0001	9		
01547.0000	11	05959.0001	11	27657.0000	17		
01686.0000	17	05960.0000	9	27728.0001	19		
01908.0000	17	05969.0000	9	28062.0000	17		
02308.0000	7,9	05995.0000	13	28126.0000	19		
02311.0000	5,15	06536.0000	17	29107.0000	17		
02312.0000	15	10756.0000	5	29358.0001	9		
02313.0000	13	10756.0001	5	29358.0002	9		
02314.0000	13	10756.0002	5	29362.1008	9		
02322.0002	17	10768.0000	5	29362.1009	9		
02327.0002	13	11029.1005	13	29362.1010	9		
02328.0000	9	11029.1006	13	29362.1011	9		
02328.0002	13	11180.0000	13	29883.0002	15		
02330.0001	13	11185.0001	13	32064.1000	17		
02336.0000	11	11191.0001	13	32064.1001	17		
02367.0000	9	11192.0000	13	32561.0000	7		
02858.0000	9	12274.0002	17	32568.0001	7		