

CSL

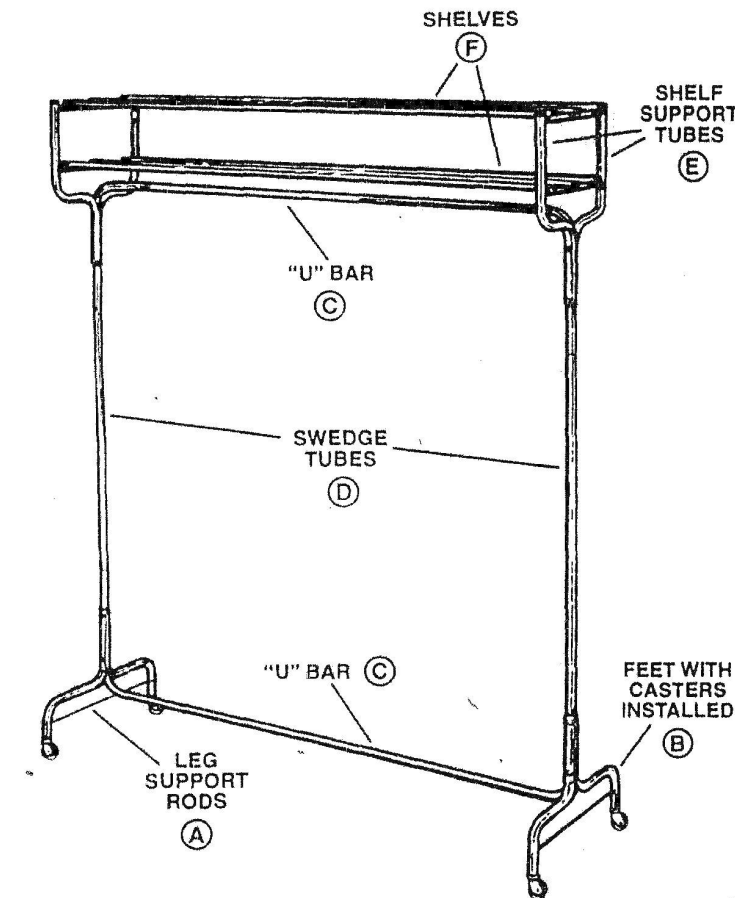
FOOD SERVICE AND HOSPITALITY

A Quality Product From Central Specialties Ltd.

ASSEMBLY INSTRUCTIONS

1074 Portable Valet with Double Hat Rack

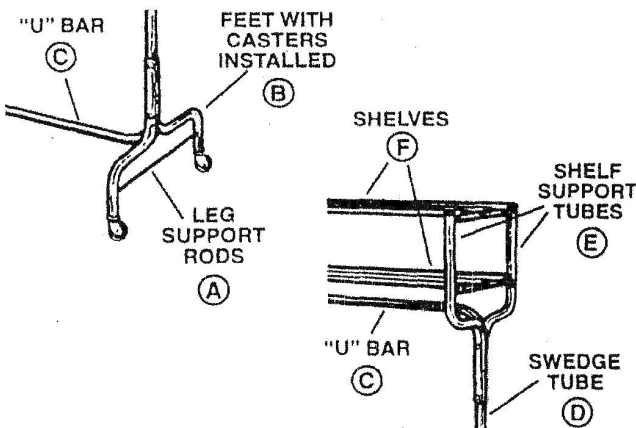
1075 Portable Valet with Single Hat Rack



1. Start by placing the ends of the Leg Support Rods (A) into the hole nearest to the casters on the feet (B).
2. Next, slide each end of one "U" bar (C), facing upwards, in between the top end of the feet (B) and using the hardware, in the parts bag, bolt the sub-assembly together.
3. Now set the unit upright on the floor and insert a swedge tube (D) into each end of the "U" bar (C).
4. Put the other "U" bar (C) onto the two swedge tubes (D). **NOTE:** If your valet was purchased with perma hangers, now is the time to put them on by sliding them over one end of the "U" bar (C).
5. Then place two shelf supports (E) up against the end of the upper "U" bar (C) so the holes are in line with one another and, using the hardware provided, bolt unit together.

NOTE: Be sure NOT to tighten the bolts, just enough to start the nut on.
6. Repeat step 5 on the other end of the unit with the remaining two shelf supports (E). Again do not tighten the bolts just yet.
7. Take the shelf and place the uncapped tubular ends into the shelf supports at both ends.

NOTE: If your unit is a double (1074) then repeat step 7 for the second shelf.
8. Finally, tighten all bolts on both ends of the unit's upper portion. And your valet is now complete.



FLOOR VALET CHECKLIST

| QTY | DESCRIPTION | PART # |
|--------------|---------------------------------|-------------|
| 2 | Leg Support Rods | A P45-49 |
| 4 | Feet with Casters Installed | B P45-33/34 |
| 2 | 36" - "U" | C P45-36-16 |
| 2 | 48" - "U" | C P45-48-16 |
| 2 | 60" - "U" | C P45-60-16 |
| 2 | 36" Swedge Tubes | D P45-11 |
| 4 | 1075 Single Shelf Support Tubes | E P46-18 |
| 4 | 1074 Double Shelf Support Tubes | E P46-19 |
| 1 | 1075 Shelf (Complete) | F |
| 2 | 1074 Shelves (Complete) | F |
| 1 | Instruction Sheet | |
| 1 | Parts Bag (8 Bolts / 8 Nuts) | |
| Date Packed: | | Packed By: |

CSL Specialties Ltd 220-D Exchange Dr., Crystal Lake, IL 60014 Phone: 815-459-6000 Fax: 815-459-6562