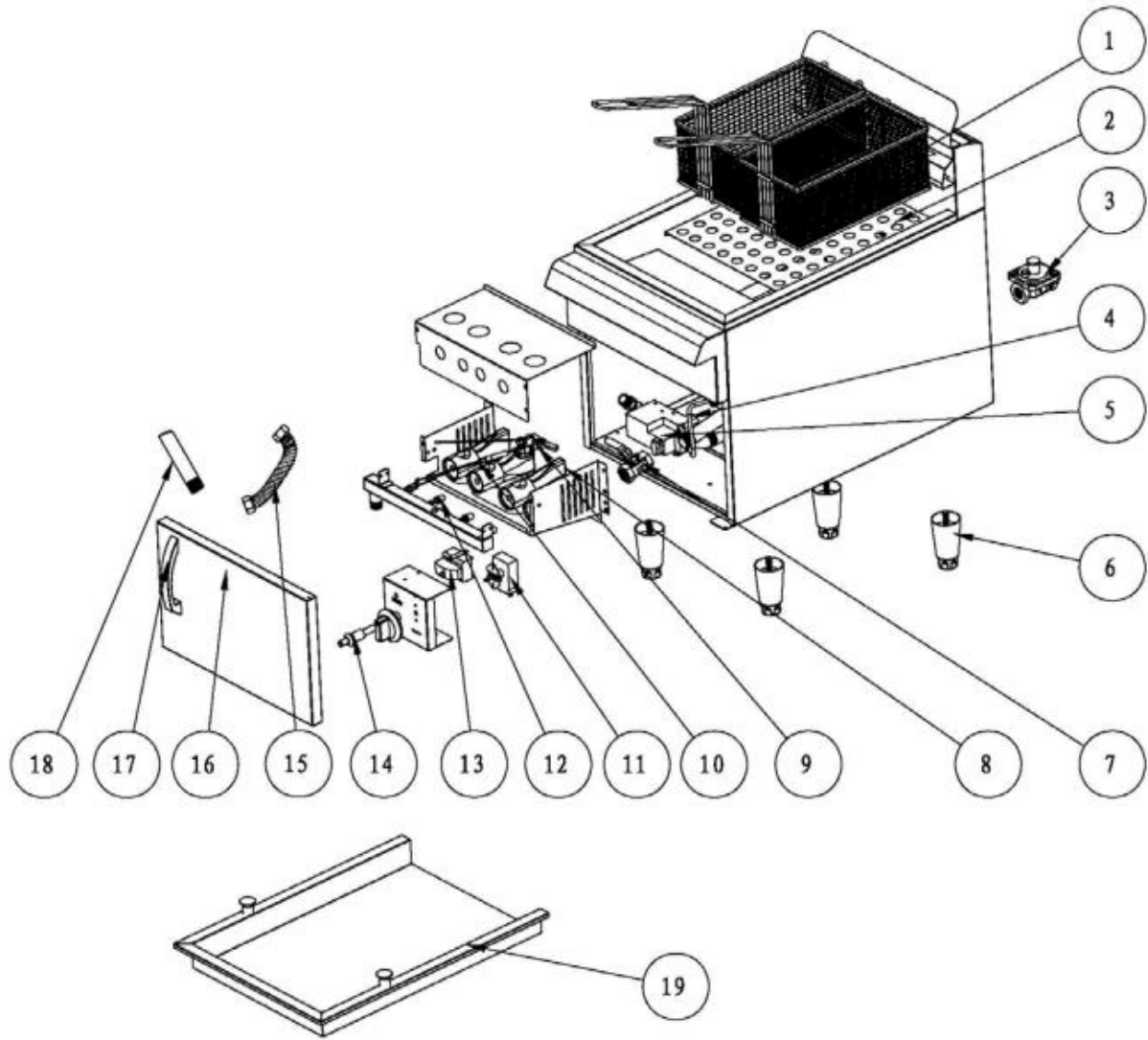


**EXPLOSION VIEW DRAWING**

**MODEL: CF30-NG / CF30-LPG**



## Spare Parts List

NO.	DESCRIPTION	MODEL	CODE	QTY
1	Basket	CF15-NG / CF15-LPG CF30-NG / CF30-LPG	01.02.1005190	1 2
2	Filter Panel	CF15-NG / CF15-LPG CF30-NG / CF30-LPG	01.05.1026472 01.05.1026210	1
3	Regulator 6"-NAT or 10"-LP, 3/4" -PT	CF15-NG / CF15-LPG CF30-NG / CF30-LPG	01.22.1069501	1
4	Pilot pipe (With Sleeve)	CF15-NG / CF15-LPG	01.02.1005201 01.18.1067454	1
		CF30-NG / CF30-LPG	01.02.1005197 01.18.1067454	
5	Gas Safety control valve	CF15-NG / CF30-NG	06.05.1470654	1
		CF15-LPG / CF30-LPG	06.05.1470674	
6	Adjustable Foot	CF15-NG / CF15-LPG CF30-NG / CF30-LPG	01.02.1005373	4
7	Valve, Oil Drain	CF15-NG / CF15-LPG CF30-NG / CF30-LPG	01.20.1068532	1
8	Burner	CF15-NG / CF15-LPG CF30-NG / CF30-LPG	06.05.1470489	2 4
9	Flame Device System	CF15-NG / CF30-NG	01.21.1069001	1
		CF15-LPG / CF30-LPG	01.21.1069003	
10	Thermopile	CF15-NG / CF15-LPG CF30-NG / CF30-LPG	03.11.1250027	1
11	Gas Thermostat	CF15-NG / CF15-LPG CF30-NG / CF30-LPG	03.05.1220047	1
12	Orifice 51# NG	CF15-NG CF30-NG	01.20.1068651	2 4
	Orifice 58# LPG	CF15-LPG CF30-LPG	01.20.1068658	2 4
13	LC Series Limit Control	CF15-NG / CF15-LPG CF30-NG / CF30-LPG	03.99.1290101	1
14	Piezo Igniter	CF15-NG / CF15-LPG CF30-NG / CF30-LPG	03.99.1290152	1

15	Bellows	CF15-NG / CF15-LPG CF30-NG / CF30-LPG	01.02.1005117	1
16	Door	CF15-NG / CF15-LPG	06.05.1470658	1
		CF30-NG / CF30-LPG	06.05.1470653	
17	Door Handle	CF15-NG / CF15-LPG CF30-NG / CF30-LPG	01.02.1005070	1
18	Oil Drain Pipe	CF15-NG / CF15-LPG CF30-NG / CF30-LPG	01.02.1005195	1
19	Cover (Optional Accessories)	CF15-NG / CF15-LPG	06.05.1470668	1
		CF30-NG / CF30-LPG	06.05.1470669	



**Cooking Performance Group  
Lancaster, Pennsylvania**

**Website: [www.CookingPerformanceGroup.com](http://www.CookingPerformanceGroup.com)**