

# VULCAN

## CATALOG OF REPLACEMENT PARTS

### ER SERIES FRYER

#### MODELS

1ER50A	ML-136730
1ER50C	ML-136498
1ER50D	ML-136496
1ER85A	ML-136740
1ER85C	ML-136499
1ER85D	ML-136497
1ER50AF	ML-136799
2ER50AF	ML-136741
3ER50AF	ML-136743
4ER50AF	ML-136745
1ER50CF	ML-136798
2ER50CF	ML-136598
3ER50CF	ML-136608
4ER50CF	ML-136615
1ER50DF	ML-136797
2ER50DF	ML-136596
3ER50DF	ML-136606
4ER50DF	ML-136614
1ER85AF	ML-136802
2ER85AF	ML-136742
1ER85CF	ML-136801
2ER85CF	ML-136599
1ER85DF	ML-136800
2ER85DF	ML-136597

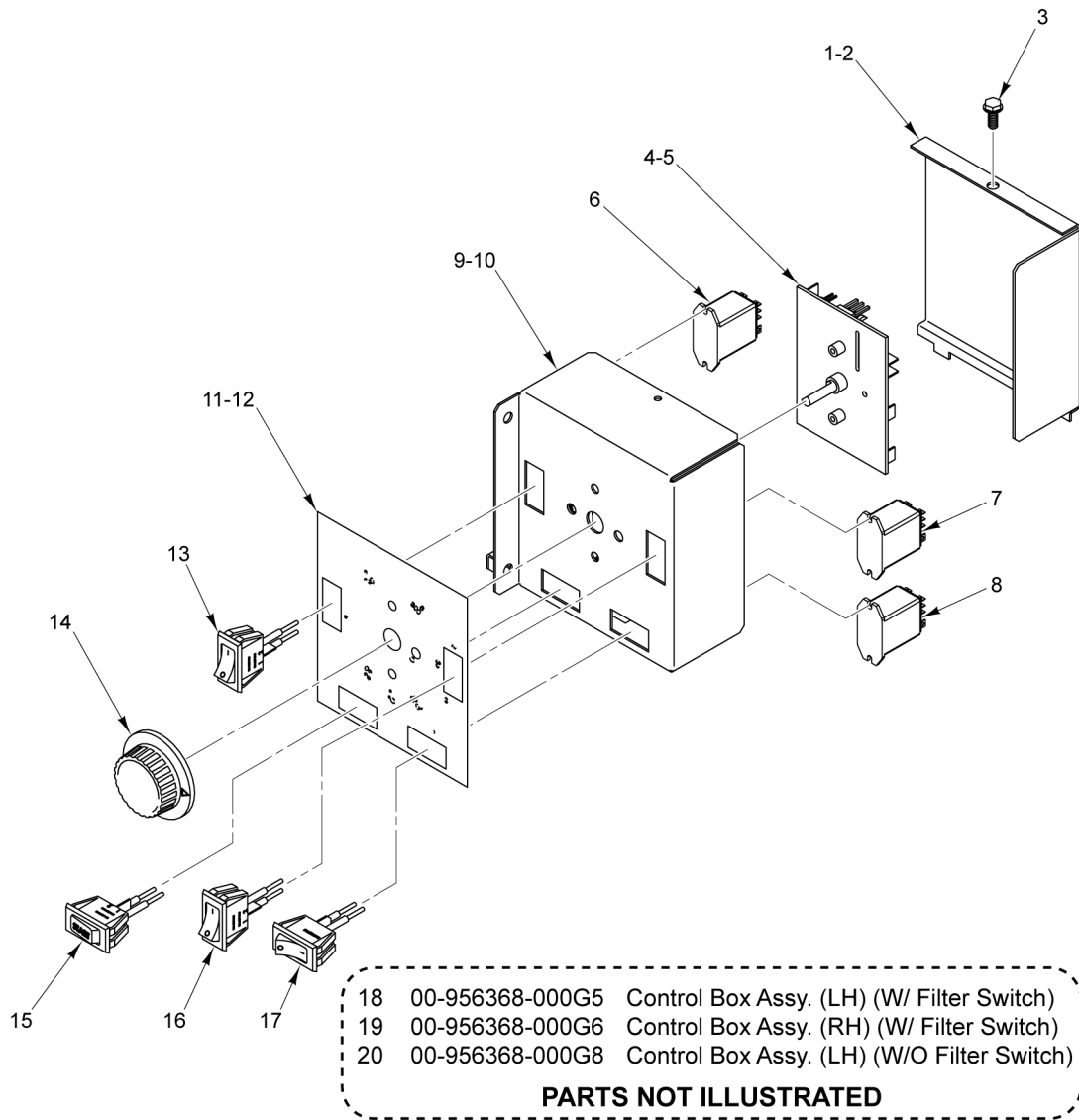


For additional information on Vulcan or to locate an authorized parts and service provider in your area, visit our website at [www.vulcanequipment.com](http://www.vulcanequipment.com)



### Table of Contents

5	CONTROL BOX ASSEMBLY (BEHIND DOOR)
7	CONTROL PANEL (NCC)
9	POWER SUPPLY BOX
11	BODY UNIT (WITHOUT FILTER)
13	BODY UNIT (WITH FILTER)
15	TANK AND DRAIN
17	HEATING ELEMENT ASSEMBLY
19	OIL RETURN (STAND ALONE WITH FILTER)
21	OIL RETURN (BATTERY WITH FILTER)
23	FILTER ASSEMBLY (STAND ALONE WITH FILTER)
25	FILTER ASSEMBLY (BATTERY WITH FILTER)
27	BASKETLIFT COMPONENTS

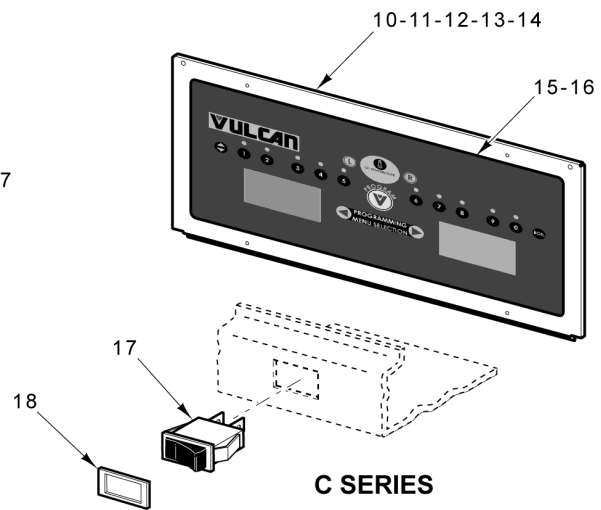
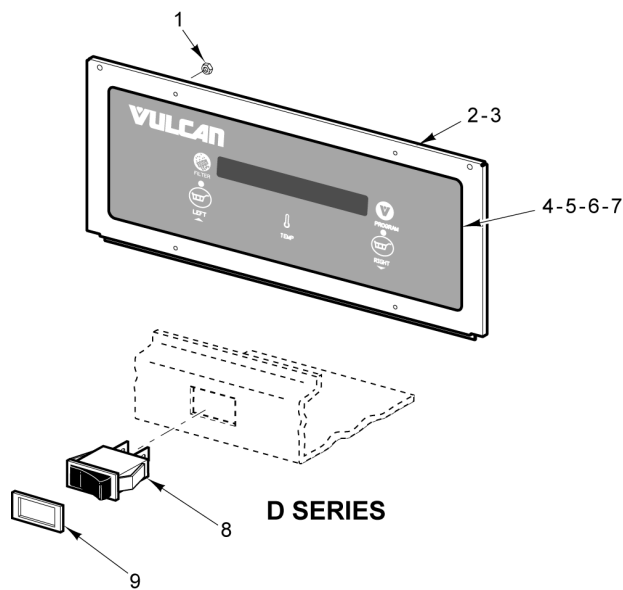
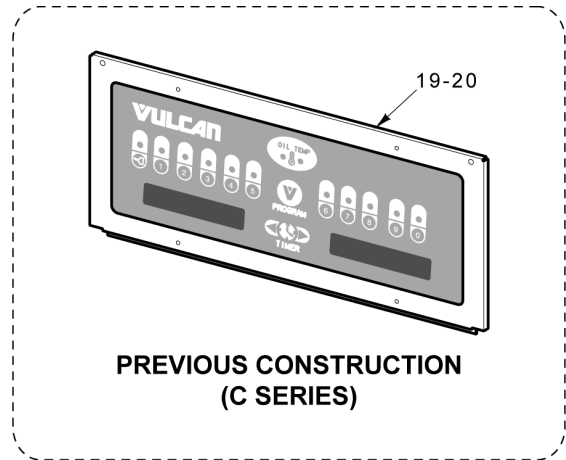


PL-59476

**CONTROL BOX ASSEMBLY  
(BEHIND DOOR)**

**CONTROL BOX ASSEMBLY  
(BEHIND DOOR)**

ILLUS. PL-59476	PART NO.	NAME OF PART	AMT.
1	00-957822-00002	Cover - Control Box (LH).....	1
2	00-957822-00003	Cover - Control Box (RH).....	1
3	SD-032-07	Self-Tapping Screw 10-24 x 1/2 Hex Washer Hd., Type TT.....	1
4	00-956926-000G4	Control Assy. - Behind Door With Led.....	1
5	00-956926-000G2	Control Assy. - Behind Door No Led.....	1
6	00-416535-00006	Relay (Power) (Built Before 1/1/2010).....	1
7	00-416535-00007	Relay (Power) (Built Before 1/1/2010).....	1
8	00-416535-00004	Relay (Heating) S.P.D.T. 24 V. Coil.....	1
9	00-499716-00003	Plate - Control Mounting (LH).....	1
10	00-499716-00004	Plate - Control Mounting (RH).....	1
11	00-956827-00002	Overlay.....	1
12	00-428906-00001	Overlay - Power.....	1
13	00-427755-000G1	Rocker Switch Assy. S.P.S.T. (ON/OFF).....	1
14	00-411242-00001	Knob.....	1
15	00-427755-000G2	Rocker Switch Assy. (Start).....	1
16	00-427755-000G1	Rocker Switch Assy. S.P.S.T.....	1
17	00-427755-000G1	Rocker Switch Assy. S.P.S.T. (FILTER) (AF Series).....	1
18	00-956368-000G5	Control Box Assy. (LH) (W/ Filter Switch) (Incls. Items 1, 3, 4, 8, 9, & 11 thru 17).....	1
19	00-956368-000G6	Control Box Assy. (RH) (W/ Filter Switch) (Incls. Items 2, 3, 4, 8, & 10 thru 17).....	1
20	00-956368-000G8	Control Box Assy. (LH) (W/O Filter Switch) (Incls. Items 1, 3, 4, 8, 9, & 11 thru 16) .....	1

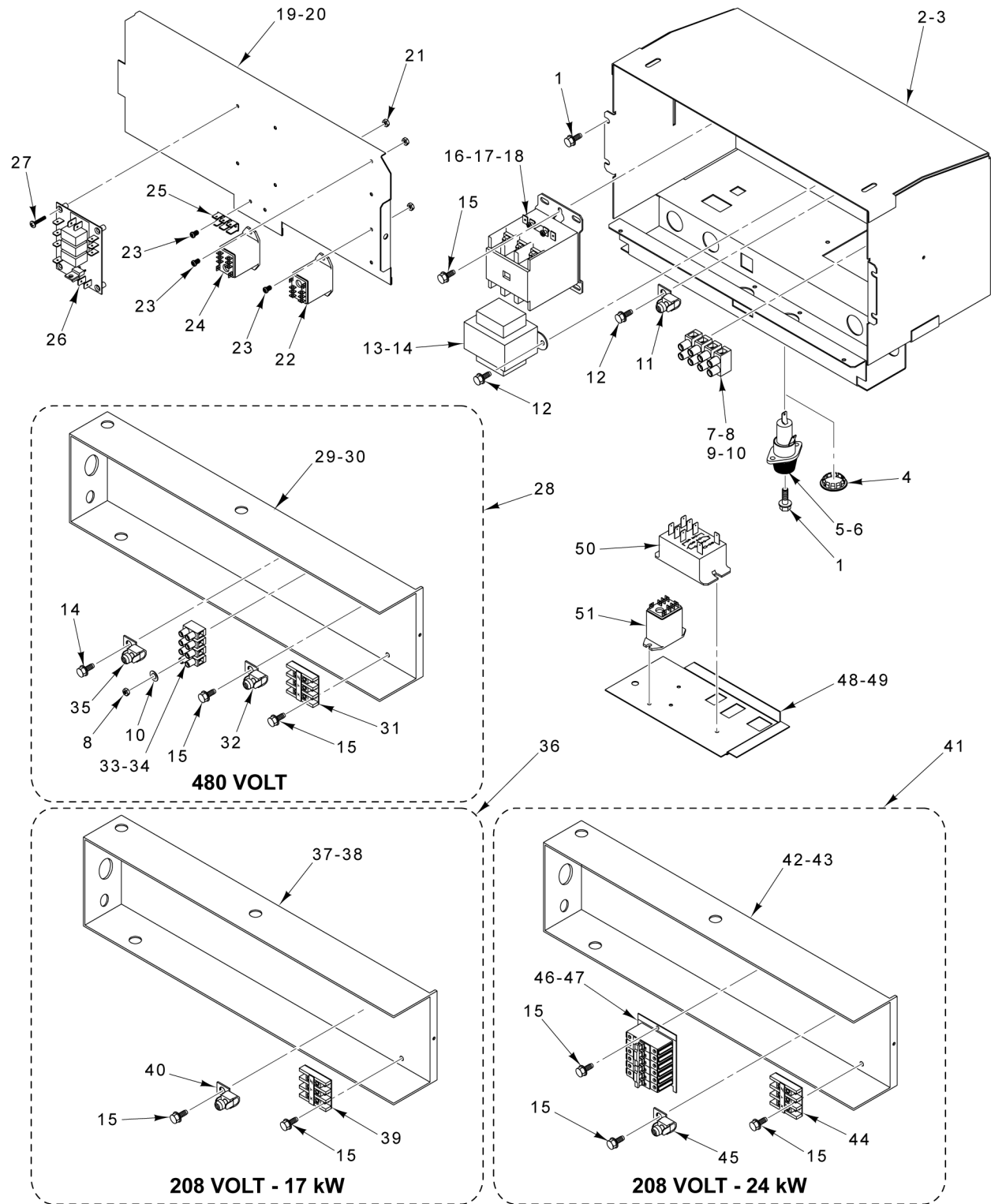


PL-59477

**CONTROL PANEL (NCC)**

**CONTROL PANEL (NCC)**

ILLUS.	PART NO.	NAME OF PART	AMT.
PL-59477			
1	NS-046-89	Nut Assy. 6-32 Hex.....	4
2	00-426815-000G1	Plate Assy. - Mounting (50 Series).....	1
3	00-426815-000G2	Plate Assy. - Mounting (85 Series).....	1
4	00-497745-00003	Overlay - Vulcan (Boil) (Button).....	1
5	00-497745-00001	Overlay - Vulcan (Filter) (Button).....	1
6	00-913086-00003	Control Assy. - Solid State (Boil Button) (Incls. Item 4).....	1
7	00-913086-00004	Control Assy. - Solid State (Filter Button) (Incls. Item 5).....	1
8	00-427755-000G1	Rocker Switch Assy. Power.....	1
9	00-428906-00001	Overlay - Power.....	1
10	00-913086-00002	Computer Cooking Assy. (Filter Button) (Incls. 15).....	1
11	00-913086-00001	Computer Cooking Assy. (Boil Button) (Incls. 16).....	1
12	00-426815-000G1	Plate Assy. - Mounting (50 Series).....	1
13	00-426815-000G2	Plate Assy. - Mounting (85 Series).....	1
14	NS-046-89	Nut Assy. 6-32 Hex.....	4
15	00-958620-00001	Overlay - Vulcan (Filter Button) Control Panel.....	1
16	00-958620-00002	Overlay - Vulcan (Boil Button) Control Panel.....	1
17	00-427755-000G1	Rocker Switch Assy.....	1
18	00-428906-00001	Overlay - Power.....	1
19	00-426732-00001	Overlay - Control Panel (Filter Button).....	1
20	00-497422-00001	Overlay - Control Panel (Boil).....	1



52 00-414712-067ST 12 Gauge Wire  
**PARTS NOT ILLUSTRATED**

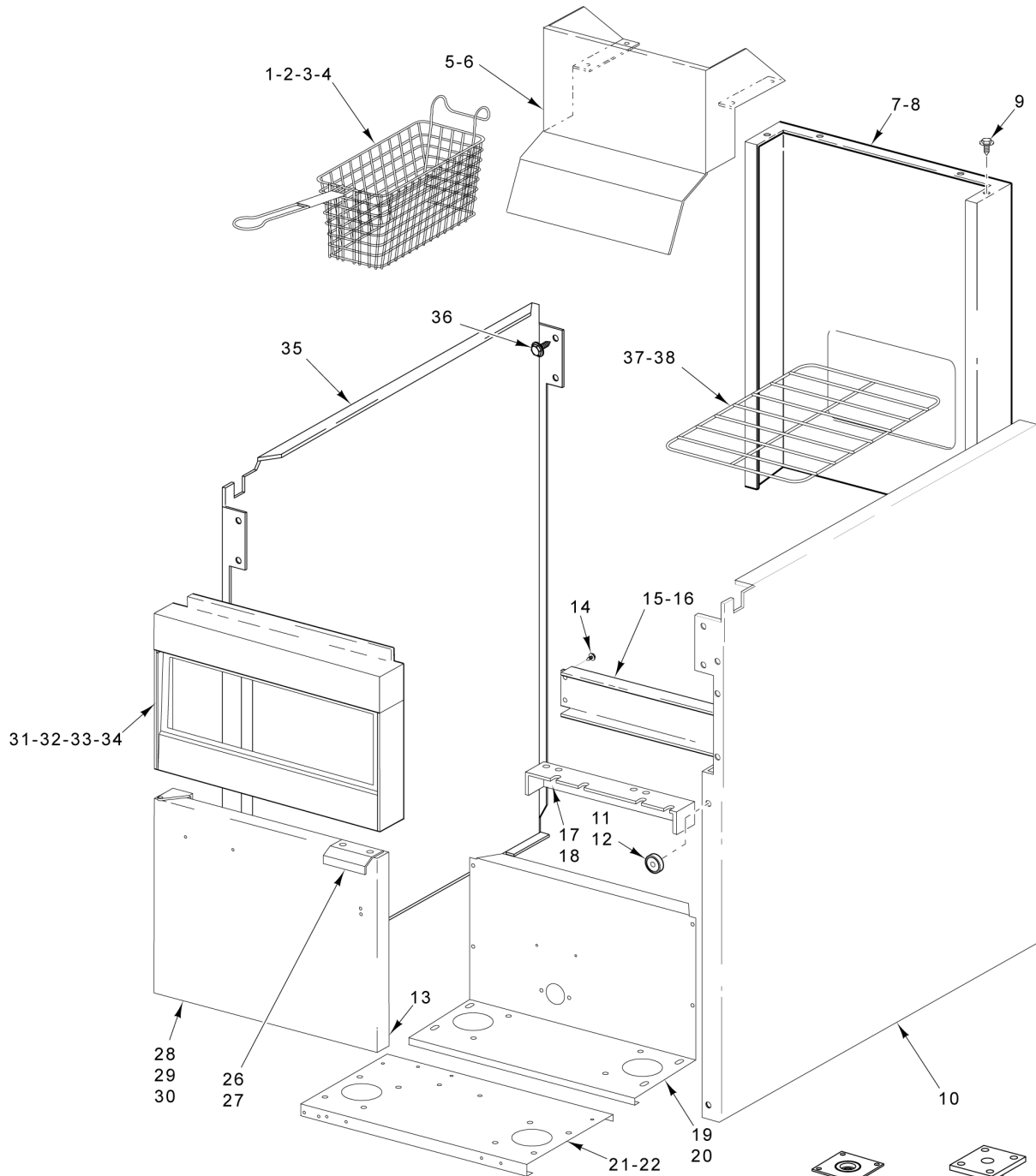
PL-59486

**POWER SUPPLY BOX**

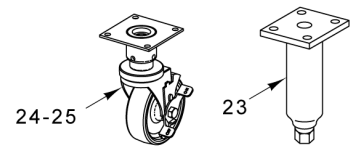


## POWER SUPPLY BOX

ILLUS.	PART NO.	NAME OF PART	AMT.
PL-59486			
1	SD-036-80	Self-Tapping Screw 8-32 x 3/8 Hex Washer Hd., Type TT.....	AR
2	00-497095-00002	Box - Power Supply (85 Series).....	1
3	00-497095-00001	Box - Power Supply (50 Series).....	1
4	PB-002-26	Plug - Button (Slave Power Box).....	2
5	FE-019-40	Fuse (15 Amp., 600 V.).....	2
6	FE-023-55	Holder - Fuse (15 Amp., 300 V.).....	2
7	00-414208-00002	Barrier - Terminal.....	1
8	NS-009-07	Nut 6-32 Hex.....	4
9	SC-119-90	Mach. Screw 6-32 x 1 Slotted Pan Hd.....	2
10	WL-004-40	Lockwasher 10 Helical.....	4
11	00-417856-00001	Lug - Grounding (With Set Screw).....	1
12	SD-032-07	Self-Tapping Screw 10-24 x 1/2 Hex Washer Hd., Type TT.....	3
13	00-411500-00012	Transformer (120 VAC, 24 V., 40 VA) (480 V.).....	1
14	00-411500-00013	Transformer (200-240 VAC, 28 V., 20 VA) (208/240 V.).....	1
15	SD-036-96	Self-Tapping Screw 8-18 x 3/4 Hex Hd., Type AB.....	AR
16	00-945037-00050	Contact - 50 Amp. DEF (208/240 V.) (ER50).....	AR
17	00-945037-00063	Contact - 63 Amp. DEF (208/240 V.) (ER85).....	AR
18	00-411497-000C6	Contact (3-Pole) (50 Amp., 120 V.) (480 V.).....	AR
19	00-497096-00001	Plate - Temperature Board (50 Series).....	1
20	00-497096-00002	Plate - Temperature Board (85 Series).....	1
21	NS-047-32	Lock Nut 4-40.....	AR
22	00-416535-00007	Switch - Relay (240 V.) (Built Before 1/1/10).....	1
23	SC-060-23	Mach. Screw 4-40 x 1/4 Slotted Rd. Hd.....	AR
24	00-416535-00004	Relay - Filter - Fill Valve S.P.D.T. 24 V. Coil.....	1
25	00-419317	Terminal - Stationary.....	1
26	00-427759-00001	Control - Interface.....	1
27	SD-024-40	Self-Tapping Screw 6-32 x 5/8 Phil. Pan Hd., Type TT.....	4
28	00-497266-000G4	Box - Power Supply (480 V.) (Incls. Items 8, 10, 14, 15, & 29 thru 35).....	1
29	00-428270-00003	Box - Breaker.....	1
30	00-428271-00005	Lid - Breaker Box Small.....	1
31	00-410472-00008	Block - Terminal (3-Pole).....	1
32	00-417856-00001	Lug - Grounding (With Set Screw).....	1
33	00-414208-00002	Barrier - Terminal.....	1
34	SC-119-90	Mach. Screw 6-32 x 1 Slotted Pan Hd.....	2
35	00-417856-00001	Lug - Grounding (With Set Screw).....	1
36	00-497266-000G1	Box - Power Supply (208 V., 17 kW) (50 Series) (Incls. Items 15, & 37 thru 40).....	1
37	00-428270-00003	Box - Breaker.....	1
38	00-428271-00005	Lid - Breaker Box Small.....	1
39	00-410472-00008	Block - Terminal (3-Pole).....	1
40	00-417856-00001	Lug - Grounding (With Set Screw).....	1
41	00-497266-000G2	Box - Power Supply (208 V.) (24 kW) (85 Series) (Incls. Items 15, & 42 thru 47).....	1
42	00-428270-00002	Box - Breaker.....	1
43	00-428271-00004	Lid Breaker Box With Breakers.....	1
44	00-410472-00008	Block - Terminal (3-Pole).....	1
45	00-417856-00001	Lug - Grounding (With Set Screw).....	1
46	00-976601-00001	Breaker - Circuit (3-Pole) (ER85 208 V.).....	2
47	00-497361-00002	Bracket - Breaker (ER85 208 V.).....	1
48	00-499219-000G1	Plate - Control Mounting (Incls. Items 49 thru 51).....	1
49	00-499219-00001	Plate - Control Mount.....	1
50	00-428864-00001	Relay (Filter - Pump).....	1
51	00-416535-00004	Relay - Filter - Fill Valve S.P.D.T. 24 V. Coil.....	1
52	00-414712-067ST	12 Gauge Wire 67 In. (Contactor to Element).....	AR



39 00-426610-00001 Gusset - Body RH  
 40 00-426610-00002 Gusset - Body LH  
**PARTS NOT ILLUSTRATED**

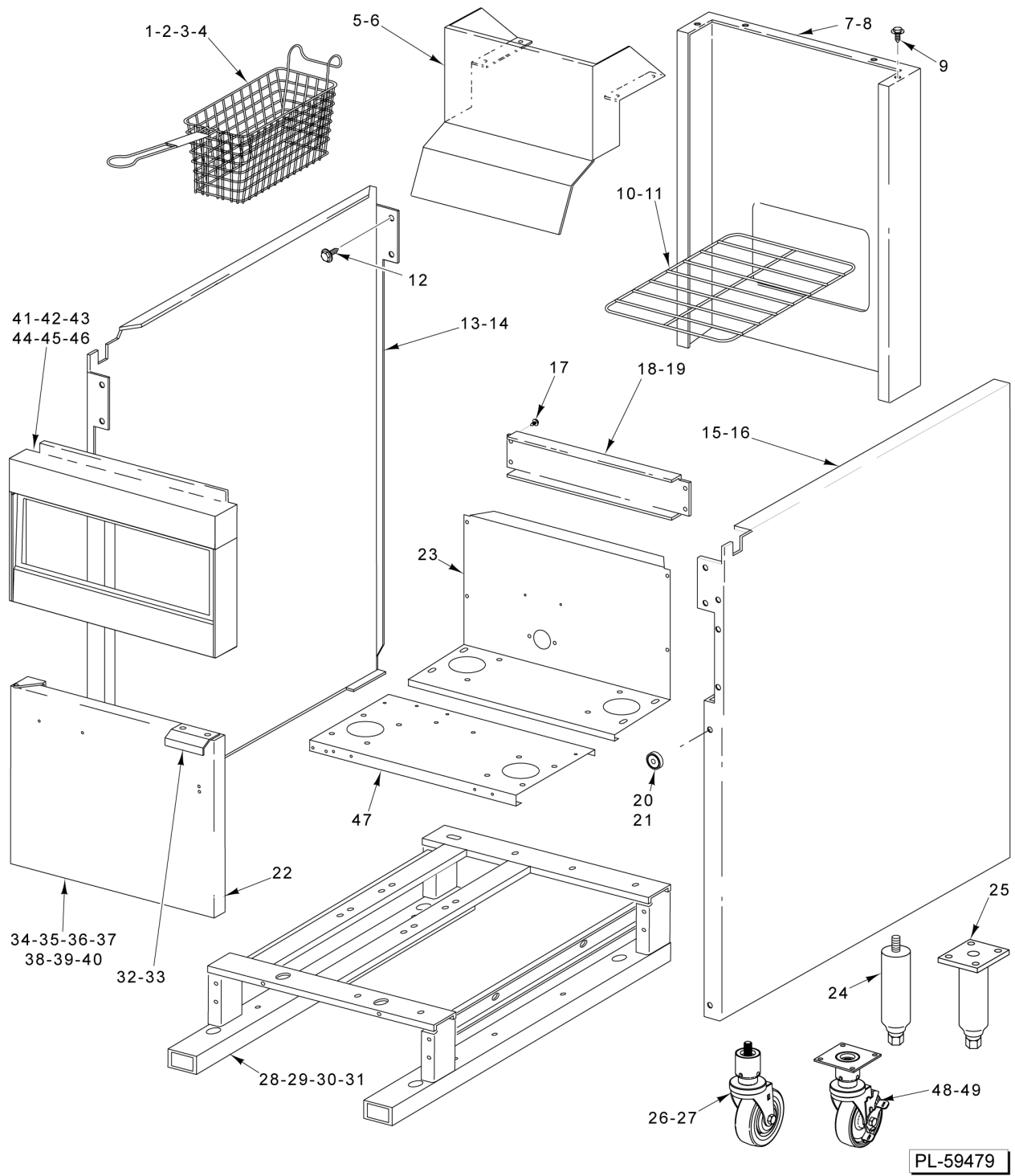


PL-59478

**BODY UNIT  
 (WITHOUT FILTER)**

**BODY UNIT  
(WITHOUT FILTER)**

ILLUS. PL-59478	PART NO.	NAME OF PART	AMT.
1	00-499223-00001	Basket - Twin (50 Series).....	AR
2	00-499223-00004	Basket - Twin (85 Series).....	AR
3	00-499223-00011	Basket - Single (85 Series).....	AR
4	00-499223-00009	Basket Single (50 Series).....	AR
5	00-421912-000G1	Hanger - Single Basket (85 Series).....	1
6	00-421911-000G1	Hanger - Basket (50 Series).....	1
7	00-422020-000G4	Flue Wrap (SST) (85 Series).....	1
8	00-422021-00002	Flue Wrap (SST) (50 Series).....	1
9	SD-036-96	Self-Tapping Screw 8-18 x 3/4 Hex Hd., Type AB.....	2
10	00-419777-00004	Body - Side (SST).....	1
11	RS-033-04	Rivet - Pop.....	1
12	00-497296-000G1	Magnet Assy.....	1
13	00-420769-00001	Bumper - Rubber.....	1
14	SD-032-07	Self-Tapping Screw 10-24 x 1/2 Hex Washer Hd., Type TT.....	10
15	00-417014-00001	Bracket - Rear Support (50 Series).....	1
16	00-418320-00001	Bracket - Rear Support (85 Series).....	1
17	00-427825-00001	Bracket - Power Supply - Rear.....	1
18	00-427824-00001	Bracket - Power Supply - Front.....	1
19	00-416950-00001	Body - Bottom (Rear) (50 Series).....	1
20	00-419652	Body - Bottom (Rear) (85 Series).....	1
21	00-427886-00001	Body - Bottom (Front) (50 Series).....	1
22	00-428152-00001	Body - Bottom (Front) (85 Series).....	1
23	00-413112-00012	Leg - Plate Mount (6 In.) (SST).....	4
24	00-421893-00001	Caster - Plate Mount (With Brake).....	2
25	00-421893-00002	Caster - Plate Mount (Without Brake).....	2
26	00-419653	Handle.....	1
27	RS-033-02	Rivet - Pop.....	2
28	00-428023-000G2	Hinge Assy.....	1
29	00-499487-000G3	Door Assy. (LH) (SST) (50 Series).....	1
30	00-499487-000G7	Door Assy. (LH) (SST) (85 Series).....	1
31	00-426806-000G1	Frame - Front Assy. (50 Series).....	1
32	00-426806-000G4	Frame - Front Assy. (85 Series).....	1
33	00-426814-00004	Plate - Control (1ER50A).....	1
34	00-426814-00005	Plate - Control (1ER85A).....	1
35	00-419777-00003	Body - Side (SST).....	1
36	SD-036-03	Self-Tapping Screw 8-18 x 3/8 Hex Washer Hd., Type AB.....	8
37	00-427883-00002	Screen - Basket Support (50 Series).....	1
38	00-427883-00004	Screen - Basket Support (85 Series).....	1
39	00-426610-00001	Gusset - Body RH.....	1
40	00-426610-00002	Gusset - Body LH.....	1

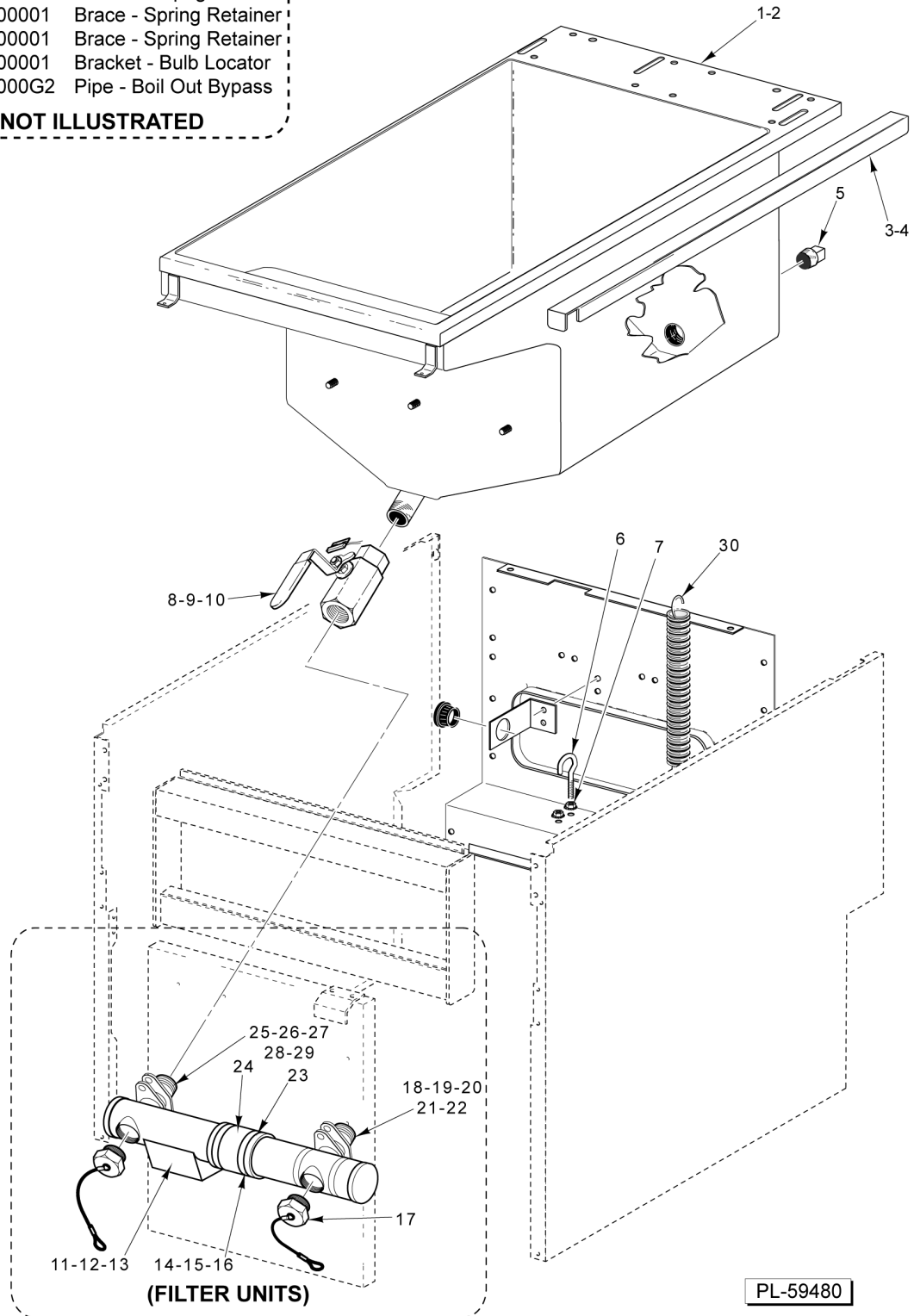


**BODY UNIT  
(WITH FILTER)**

## BODY UNIT (WITH FILTER)

ILLUS. PL-59479	PART NO.	NAME OF PART	AMT.
1	00-499223-00001	Basket - Twin (50 Series).....	AR
2	00-499223-00004	Basket - Twin (85 Series).....	AR
3	00-499223-00011	Basket - Single (85 Series).....	AR
4	00-499223-00009	Basket - Single (50 Series).....	AR
5	00-421912-000G1	Hanger - Single Basket (85 Series).....	1
6	00-421911-000G1	Hanger - Basket (50 Series).....	1
7	00-422020-000G4	Flue Wrap (SST) (85 Series).....	1
8	00-422021-00002	Flue Wrap (SST) (50 Series).....	1
9	SD-036-96	Self-Tapping Screw 8-18 x 3/4 Hex Hd., Type AB.....	2
10	00-427883-00002	Screen - Basket Support (50 Series).....	1
11	00-427883-00004	Screen - Basket Support (85 Series).....	1
12	SD-036-03	Self-Tapping Screw 8-18 x 3/8 Hex Washer Hd., Type AB.....	8
13	00-420596-00003	Body - Side (SST) (LH) (3ER50 & 4ER50 Series).....	1
14	00-419777-00003	Body - Side (SST) (LH) (85 Series, 1ER50, & 2ER50 Series).....	1
15	00-420596-00004	Body - Side (SST) (RH) (4ER50 Series).....	1
16	00-419777-00004	Body - Side (SST) (RH) (85 Series, 1ER50, 2ER50, & 3ER50 Series).....	1
17	SD-032-07	Self-Tapping Screw 10-24 x 1/2 Hex Washer Hd., Type TT.....	10
18	00-417014-00001	Bracket - Rear Support (50 Series).....	1
19	00-418320-00001	Bracket - Rear Support (85 Series).....	1
20	RS-033-04	Rivet - Pop.....	1
21	00-497296-000G1	Magnet Assy.....	1
22	00-420769-00001	Bumper - Rubber.....	1
23	00-416950-00001	Body - Bottom (Rear) (3ER50 & 4ER50 Series).....	1
24	00-413112-00007	Leg - Screw-in Mount (6-1/4 In.) (SST).....	4
25	00-413112-00012	Leg - Plate Mount (6 In.).....	2
26	00-959832-00001	Caster - Screw-In Mount (With Brake).....	2
27	00-959832-00002	Caster - Screw-In Mount (Without Brake).....	2
28	00-427275-000G1	Body - Bottom Frame (2ER50, 3ER50, & 4ER50 Series).....	1
29	00-427373-000G1	Body - Bottom Frame (2ER85 Series).....	1
30	00-956906-000G2	Body - Bottom Frame (50 Series).....	1
31	00-956906-000G4	Body - Bottom Frame (85 Series).....	1
32	00-419653	Handle.....	1
33	RS-033-02	Rivet - Pop.....	2
34	00-499487-000G1	Door Assy. (LH) (SST) (3ER50 & 4ER50 Series).....	1
35	00-499487-000G2	Door Assy. (RH) (RH) (SST) (4ER50 Series).....	1
36	00-499487-000G3	Door Assy. (LH) (With Hinge) (SST) (50 Series).....	1
37	00-499487-000G4	Door Assy. (RH) (With Hinge) (SST) (2ER50, 3ER50, & 4ER50 Series).....	1
38	00-499487-000G7	Door Assy. (LH) (With Hinge) (SST) (85 Series).....	1
39	00-499487-000G8	Door Assy. (RH) (With Hinge) (SST) (2ER85 Series).....	1
40	00-428023-000G2	Hinge Assy. - Door LH (3ER50 & 4ER50 Series).....	1
41	00-426806-000G1	Frame - Front Assy. (1ER50 Series).....	1
42	00-426806-000G2	Frame - Front Assy. (2ER50 Series).....	1
43	00-426806-000G3	Frame - Front Assy. (3ER50 Series).....	1
44	00-426806-000G4	Frame - Front Assy. (1ER85 Series).....	1
45	00-426806-000G5	Frame - Front Assy. (2ER85 Series).....	1
46	00-426806-000G7	Frame - Front Assy. (4ER50 Series).....	1
47	00-427886-00001	Body - Bottom (Front) (3ER50 & 4ER50 Series).....	1
48	00-421893-00001	Caster - Plate Mount (With Brake).....	2
49	00-421893-00002	Caster - Plate Mount (Without Brake).....	2

- |    |                 |                         |
|----|-----------------|-------------------------|
| 31 | 00-420588-00004 | Bracket - Upright       |
| 32 | 00-422376-00001 | Brace - Spring Retainer |
| 33 | 00-422377-00001 | Brace - Spring Retainer |
| 34 | 00-956636-00001 | Bracket - Bulb Locator  |
| 35 | 00-497572-000G2 | Pipe - Boil Out Bypass  |
- PARTS NOT ILLUSTRATED**

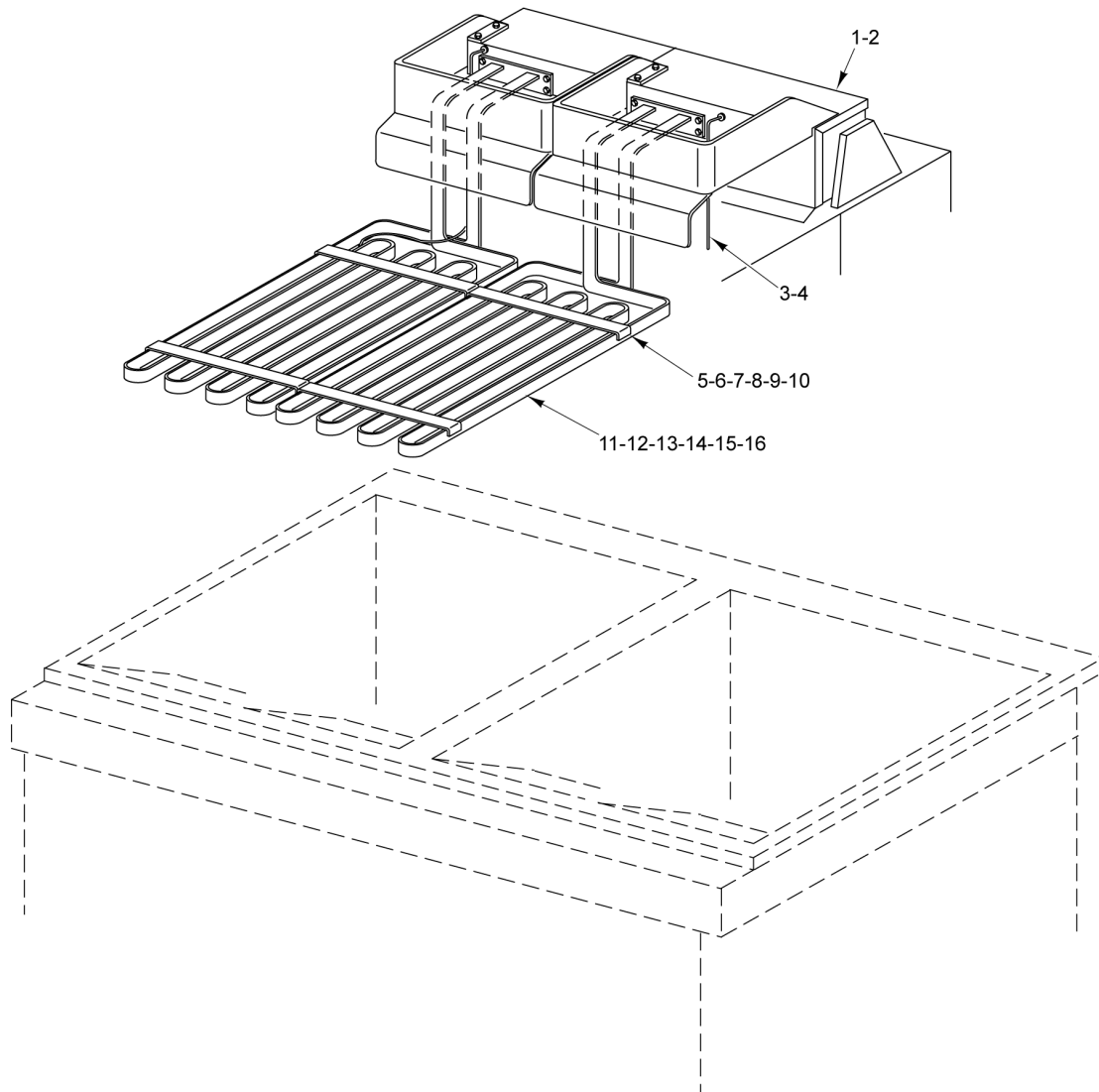


**TANK AND DRAIN**

## TANK AND DRAIN

ILLUS. PL-59480	PART NO.	NAME OF PART	AMT.
1	00-421844-000G3	Tank Assy. (50 Series).....	1
2	00-421842-000G3	Tank Assy. (85 Series).....	1
3	00-410863-00002	Strip - Grease (50 Series).....	1
4	00-410863-00007	Channel - Grease (85 Series).....	1
5	FP-028-14	Pipe - Plug 1/2 Sq. Hd.....	AR
6	00-402570-00003	Eye Bolt.....	AR
7	NS-047-69	Lock Nut 6-32 Hex.....	AR
8	00-913111	Valve Assy. (Incls. Items 9 & 10).....	1
9	00-426805-000G1	Switch Assy.....	1
10	00-426801-00002	Magnet - Switch Element Head.....	1
11	00-497567-000G4	Pipe - LH Drain With Spout (2ER85 Series).....	1
12	00-497567-000G9	Pipe - Drain (LH) With Spout (2ER50 Series).....	1
13	00-497569-000G3	Pipe - Drain (Center) With Spout (4ER50 Series).....	1
14	00-497566-000G1	Pipe - Drain (End) (50 Series).....	1
15	00-497566-000G4	Pipe - Drain (End) (85 Series).....	1
16	00-497568-000G1	Pipe - Drain (Center) (4ER50 Series).....	1
17	00-497571-000G1	Plug - Drain.....	2
18	00-420726-00001	Flange - Pipe 1-1/4 In.....	1
19	00-420553-00002	Gasket - Silicone.....	1
20	FP-036-32	Pipe 1-1/4 x 2 TBE.....	1
21	FP-036-33	Pipe 1-1/4 x 2 1/2 TBE.....	1
22	SC-036-13	Cap Screw 1/4-20 x 3/4 Hex Hd.....	2
23	00-497409-00001	Clamp - Drain Tube.....	AR
24	00-419351-00001	Hose - Connect.....	AR
25	00-420553-00002	Gasket - Silicone.....	1
26	00-420726-00001	Flange - Pipe 1-1/4 In.....	1
27	FP-036-32	Pipe 1-1/4 x 2 TBE.....	1
28	FP-059-54	Pipe 1-1/4 x 4 Pipe 1-1/4 x 2 1/2 TBE.....	1
29	SC-036-13	Cap Screw 1/4-20 x 3/4 Hex Hd.....	2
30	00-406363-00001	Spring - Door (Long).....	AR
31	00-420588-00004	Bracket - Upright.....	1
32	00-422376-00001	Brace - Spring Retainer (50 Series).....	1
33	00-422377-00001	Brace - Spring Retainer (85 Series).....	1
34	00-956636-00001	Bracket - Bulb Locator.....	1
35	00-497572-000G2	Pipe - Boil Out Bypass.....	1

- |    |                 |                                      |
|----|-----------------|--------------------------------------|
| 17 | 00-414146-00002 | Thermostat Hi-Limit                  |
| 18 | 00-426801-00001 | Switch - Wired                       |
| 19 | 00-426801-00002 | Magnet - Switch Element Head         |
| 20 | 00-422380-00001 | Clamp - Rear Lower Element           |
| 21 | 00-414178-000G3 | Clamp - Top Element Assy. With Guard |
| 22 | 00-422381-000G2 | Clamp - Top Element Assy. With Guard |
| 23 | 00-422414-00001 | Clamp - Front Lower Element          |
| 24 | 00-427764-00001 | Clamp - Front Lower Element          |
| 25 | 00-414305-00001 | Gasket - Wire Chase                  |
| 26 | 00-416736-00001 | Gasket - Element Flange              |
- PARTS NOT ILLUSTRATED**



PL-59481

**HEATING ELEMENT ASSEMBLY**

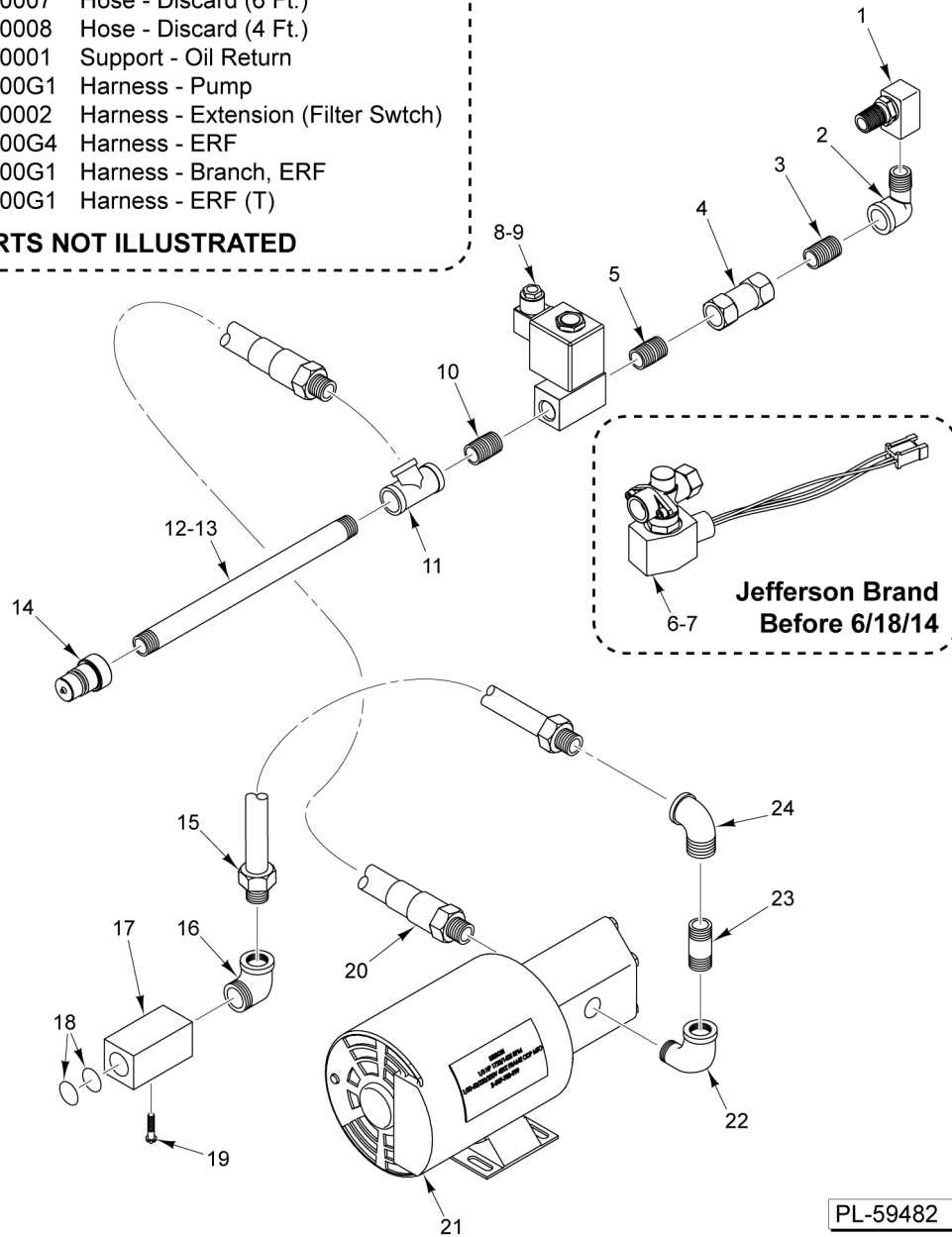


## HEATING ELEMENT ASSEMBLY

ILLUS. PL-59481	PART NO.	NAME OF PART	AMT.
1	00-421829-000G1	Element Head Assy. (85 Series).....	1
2	00-422322-000G1	Element Head Assy. (50 Series).....	1
3	00-422737-00001	Probe - Thermistor (85 Series).....	1
4	00-422737-00002	Probe - Thermistor (50 Series).....	1
5	00-416782-00001	Bracket - Hi-Limit.....	AR
6	00-416782-00002	Bracket - Hi-Limit.....	1
7	00-414177-00001	Clamp - Bottom Element (50 Series).....	2
8	00-422380-00001	Clamp - Bottom Element (85 Series).....	1
9	00-422381-000G1	Clamp - Top Element Assy. (85 Series).....	4
10	00-414178-000G2	Clamp - Top Element Assy. (50 Series).....	4
11	00-416741-000G9	Element Assy. (208 V., 8500 W) (50 Series).....	2
12	00-416741-00G12	Element Assy. (480 V., 8500 W) (50 Series).....	2
13	00-416741-00G11	Element Assy. (240 V., 8500 W) (50 Series).....	2
14	00-421892-000G1	Element Assy. (208 V., 12000 W) (85 Series).....	2
15	00-421892-000G4	Element Assy. (480 V., 12000 W) (85 Series).....	2
16	00-421892-000G3	Element Assy. (240 V., 12000 W) (85 Series).....	2
17	00-414146-00002	Thermostat Hi-Limit.....	1
18	00-426801-00001	Switch - Wired.....	1
19	00-426801-00002	Magnet - Switch Element Head.....	1
20	00-422380-00001	Clamp - Rear Lower Element (85 Series).....	1
21	00-414178-000G3	Clamp - Top Element Assy. With Guard (50 Series).....	1
22	00-422381-000G2	Clamp - Top Element Assy. With Guard (85 Series).....	1
23	00-422414-00001	Clamp - Front Lower Element (85 Series).....	1
24	00-427764-00001	Clamp - Front Lower Element (50 Series).....	1
25	00-414305-00001	Gasket - Wire Chase.....	1
26	00-416736-00001	Gasket - Element Flange.....	4

25	00-521820	U-Bolt
26	NS-046-52	Nut Assy. 1/4-20 Hex
27	00-422281-00007	Hose - Discard (6 Ft.)
28	00-422281-00008	Hose - Discard (4 Ft.)
29	00-958681-00001	Support - Oil Return
30	00-428914-000G1	Harness - Pump
31	00-497320-00002	Harness - Extension (Filter Switch)
32	00-422304-000G4	Harness - ERF
33	00-499489-000G1	Harness - Branch, ERF
34	00-499491-000G1	Harness - ERF (T)

**PARTS NOT ILLUSTRATED**



**OIL RETURN  
(STAND ALONE WITH FILTER)**

**OIL RETURN  
(STAND ALONE WITH FILTER)**

ILLUS. PL-59482	PART NO.	NAME OF PART	AMT.
1	00-419251-00001	Fitting - 90 Deg. Swivel.....	1
2	FP-013-17	Elbow - Street 1/2 x 90 Deg.....	1
3	FP-035-91	Pipe 1/2 x 1-1/8 TBE.....	1
4	00-418786-00001	Valve - Check.....	AR
5	FP-035-91	Pipe 1/2 x 1-1/8 TBE.....	1
6	00-428691-00002	Valve - Solenoid (120 V.) (Before 6/18/14).....	AR
7	00-428691-00003	Valve - Solenoid (208 V.) (Before 6/18/14).....	AR
8	00-959909-00001	Valve - Solenoid (120 V.) (Starting 6/18/14).....	AR
9	00-959909-00002	Valve - Solenoid (208 V.) (Starting 6/18/14).....	AR
10	FP-035-91	Pipe 1/2 x 1-1/8 TBE.....	1
11	FP-019-25	Tee 1/2 x 1/2 x 1/2.....	1
12	FP-085-79	Pipe 1/2 x 14-1/4 TBE.....	1
13	FP-090-79	Pipe 1/2 x 19 TBE.....	1
14	00-418781-00001	Quick Disconnect.....	1
15	00-426602-00002	Tube - Flex (29 In.).....	1
16	FP-013-17	Elbow - Street 1/2 x 90 Deg.....	1
17	00-426567-00003	Receptacle - Oil Suction.....	1
18	00-426567-00002	O-Ring (Viton).....	2
19	SC-114-01	Mach. Screw 10-32 x 3/8 Hex Washer Hd.....	2
20	00-426602-00001	Tube - Flex (12 In.).....	1
21	00-417792-00008	Pump Motor Assy. (115/230 V., 60 Hz.) (8 G.P.M.).....	1
22	FP-077-68	Elbow 1/2 x 90 Deg.....	1
23	FP-035-95	Pipe 1/2 x 2 TBE.....	1
24	FP-077-68	Elbow 1/2 x 90 Deg.....	1
25	00-521820	U-Bolt.....	1
26	NS-046-52	Nut Assy. 1/4-20 Hex.....	2
27	00-422281-00007	Hose - Discard (6 Ft.).....	AR
28	00-422281-00008	Hose - Discard (4 Ft.).....	AR
29	00-958681-00001	Support - Oil Return.....	1
30	00-428914-000G1	Harness - Pump.....	1
31	00-497320-00002	Harness - Extension (Filter Switch).....	1
32	00-422304-000G4	Harness - ERF.....	1
33	00-499489-000G1	Harness - Branch, ERF.....	1
34	00-499491-000G1	Harness - ERF (T).....	1

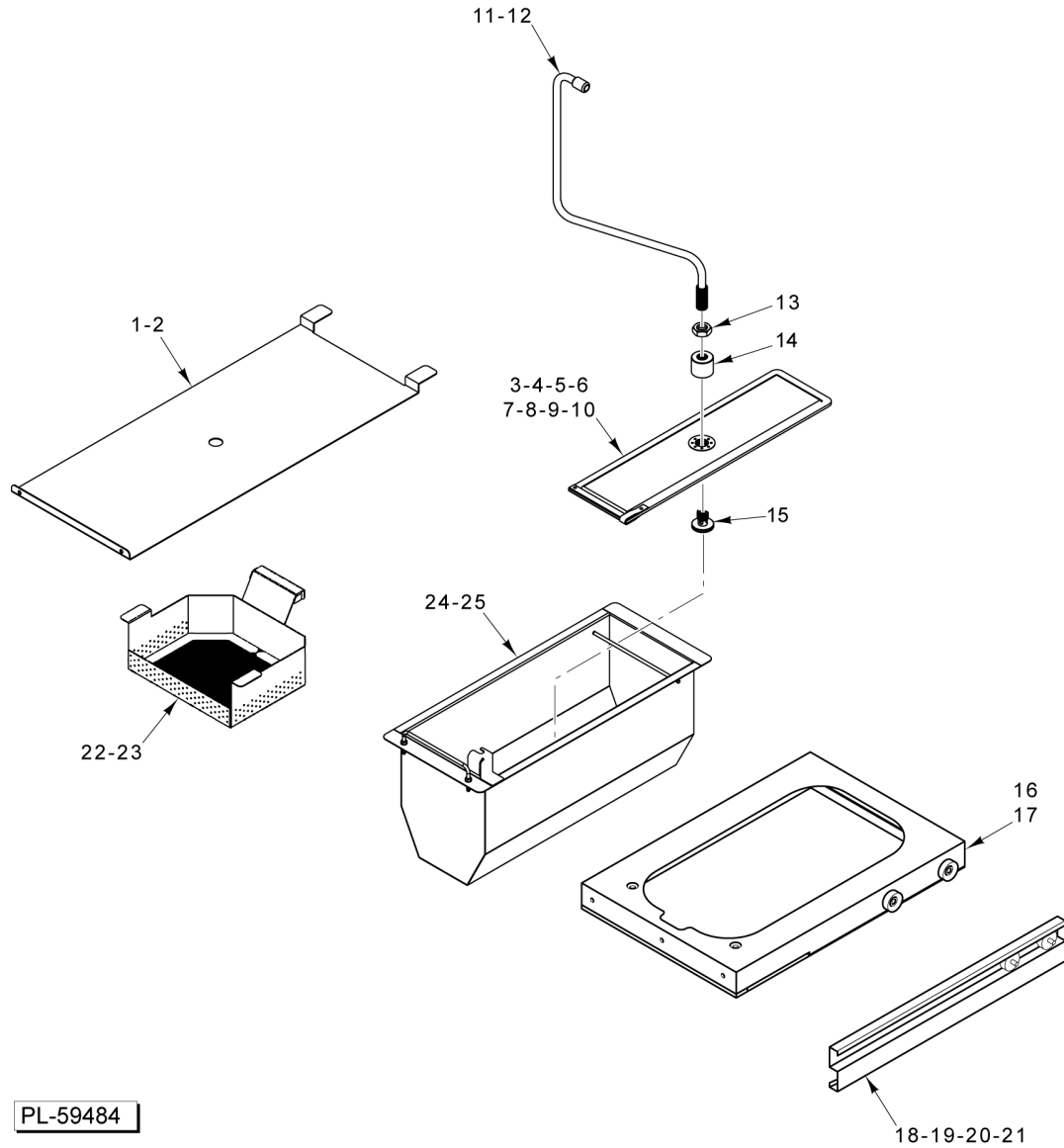


**OIL RETURN  
(BATTERY WITH FILTER)**

ILLUS. PL-59483	PART NO.	NAME OF PART	AMT.
1	00-419251-00001	Fitting - 90 Deg. Swivel.....	2
2	FP-013-17	Elbow - Street 1/2 x 90 Deg.....	3
3	FP-035-91	Pipe 1/2 x 1-1/8 TBE.....	7
4	00-418786-00001	Valve - Check.....	AR
5	00-428691-00002	Valve - Solenoid (120 V.) (Before 6/18/14).....	AR
6	00-428691-00003	Valve - Solenoid (208 V.) (Before 6/18/14).....	AR
7	00-959909-00001	Valve - Solenoid (120 V.) (Starting 6/18/14).....	AR
8	00-959909-00002	Valve - Solenoid (208 V.) (Starting 6/18/14).....	AR
9	FP-019-25	Tee 1/2 x 1/2 x 1/2.....	3
10	FP-034-01	Pipe - Cross 1/2 NPT.....	1
11	FP-077-68	Elbow 1/2 x 90 Deg.....	2
12	FP-035-95	Pipe 1/2 x 2 TBE.....	1
13	00-417792-00008	Pump Motor Assy. (115/230 V., 60 Hz.) (8 G.P.M.).....	1
14	00-426602-00001	Tube - Flex (12 In.).....	1
15	00-426602-00004	Tube - Flex (19 In.).....	1
16	00-426602-00001	Tube - Flex (12 In.).....	1
17	SC-114-01	Mach. Screw 10-32 x 3/8 Hex Washer Hd.....	2
18	00-426567-00002	O-Ring (Viton).....	2
19	00-426567-00003	Receptacle - Oil Suction.....	1
20	00-426602-00002	Tube - Flex (29 In.).....	1
21	00-418781-00001	Quick Disconnect.....	1
22	FP-085-79	Pipe 1/2 x 14-1/4 TBE.....	1
23	FP-090-79	Pipe 1/2 x 19 TBE.....	1
24	00-521820	U-Bolt.....	1
25	NS-046-52	Nut Assy. 1/4-20 Hex.....	2
26	00-422281-00007	Hose - Discard (6 Ft.).....	AR
27	00-422281-00008	Hose - Discard (4 Ft.).....	AR
28	00-958681-00001	Support - Oil Return.....	1
29	00-428914-000G1	Harness - Pump.....	1
30	00-497320-00002	Harness - Extension (Filter Switch).....	1
31	00-422304-000G4	Harness - ERF.....	1
32	00-499489-000G1	Harness - Branch, ERF.....	1
33	00-499491-000G1	Harness - ERF (T).....	1

26	00-499486-00001	Clip - Drain Pipe
27	00-413927-00001	Grommet - Rubber
28	00-499085-00005	Insert - Fabric Envelope (3-3/4 x 22 In.)
29	00-499085-00006	Insert - Fabric Envelope (9-1/4 x 22 In.)

**PARTS NOT ILLUSTRATED**



PL-59484

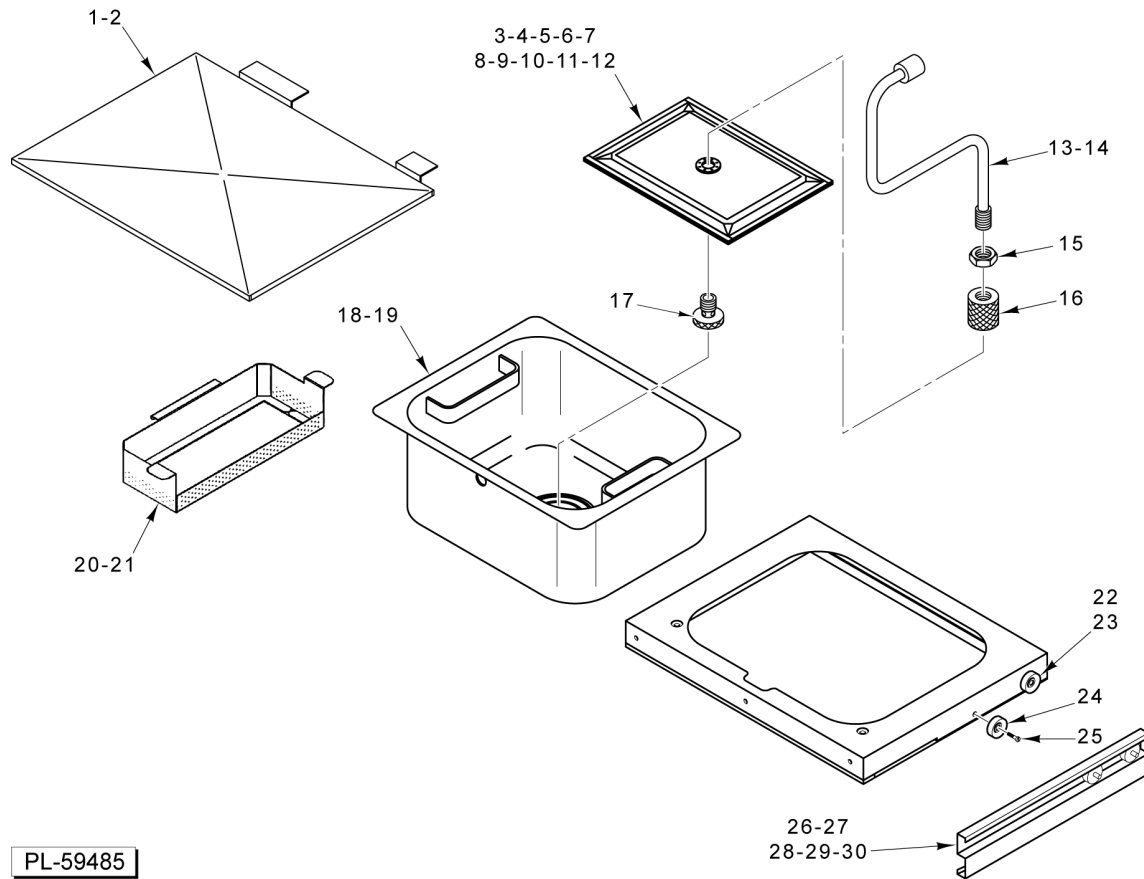
**FILTER ASSEMBLY  
(STAND ALONE WITH FILTER)**

**FILTER ASSEMBLY  
(STAND ALONE WITH FILTER)**

ILLUS. PL-59484	PART NO.	NAME OF PART	AMT.
1	00-956904-00001	Splash Guard (11 x 22 In.) (50 Series).....	1
2	00-956904-00002	Splash Guard (16-1/2 x 22 In.) (85 Series).....	1
3	00-499087-00002	Screen - Fine Mesh Filter (Metal) (22 x 5 In.) (50 Series).....	1
4	00-499087-00004	Screen - Fine Mesh Filter (Metal) (22 x 10-1/2 In.) (85 Series).....	1
5	00-499085-00003	Insert - Filter Screen (2-1/4 x 19 In.) (50 Series).....	1
6	00-499085-00007	Insert - Filter Screen (7-3/4 x 19 In.) (85 Series).....	1
7	00-499086-000G4	Filter - Envelope (6 Pack) (Fabric) (50 Series).....	1
8	00-499086-000G7	Filter - Envelope (6 Pack) (Fabric) (85 Series).....	1
9	00-499089-00002	Clip - Filter, Envelope (5 In. Lg.) (50 Series).....	1
10	00-499089-00003	Clip - Filter, Envelope (10-1/2 In. Lg.) (85 Series).....	1
11	00-956901-000G9	Tube, "S" Suction (50 Series).....	1
12	00-956901-00G13	Tube - Suction (85 Series).....	1
13	NS-017-49	Jam Nut 3/4-16 Hex.....	1
14	00-499083-00002	Coupling - Suction.....	1
15	00-499084-00002	Knob - Port Suction.....	1
16	00-956907-000G3	Top - Counter Assy. (50 Series).....	1
17	00-956907-000G4	Top - Counter Assy. (85 Series).....	1
18	00-958026-000G5	Guide - Cabinet (RH) (27-1/2 In.).....	1
19	00-958026-000G6	Guide - Cabinet (LH) (27-1/2 In.).....	1
20	00-958026-00008	Roller (RH) (27-1/2 In.).....	1
21	00-958026-00011	Roller (LH) (27-1/2 In.).....	1
22	00-426606-000G5	Basket - Scrap (50 Series).....	1
23	00-426606-000G7	Basket - Scrap (85 Series).....	1
24	00-958000-00G15	Pan Assy. - Filter (50 Series).....	1
25	00-958000-00G16	Pan Assy. - Filter (85 Series).....	1
26	00-499486-00001	Clip - Drain Pipe.....	1
27	00-413927-00001	Grommet - Rubber.....	1
28	00-499085-00005	Insert - Fabric Envelope (3-3/4 x 22 In.) (50 Series).....	1
29	00-499085-00006	Insert - Fabric Envelope (9-1/4 x 22 In.) (85 Series).....	1

- |    |                 |                        |
|----|-----------------|------------------------|
| 31 | 00-422281-00007 | Hose - Discard (6 Ft.) |
| 32 | 00-499486-00001 | Clip - Drain Pipe      |
| 33 | 00-413927-00001 | Grommet - Rubber       |

**PARTS NOT ILLUSTRATED**



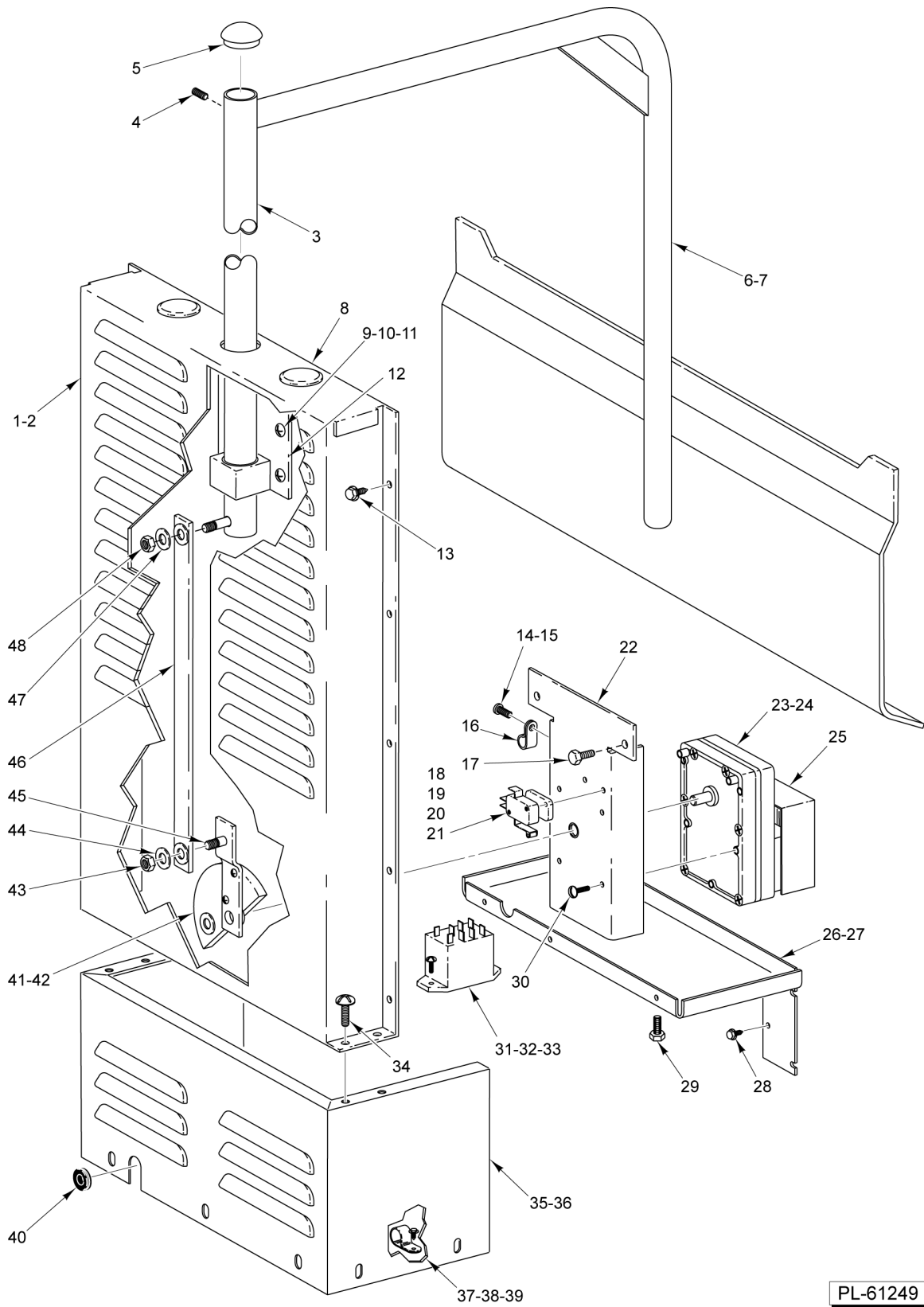
PL-59485

**FILTER ASSEMBLY  
(BATTERY WITH FILTER)**



**FILTER ASSEMBLY  
(BATTERY WITH FILTER)**

ILLUS. PL-59485	PART NO.	NAME OF PART	AMT.
1	00-428518-00001	Splash Guard (50 Series).....	1
2	00-428519-00001	Splash Guard (85 Series).....	1
3	00-499087-00002	Screen - Fine Mesh Filter (Metal) (22 x 5 In.) (50 Series).....	1
4	00-499087-00004	Screen - Fine Mesh Filter (Metal) (22 x 10-1/2 In.) (85 Series).....	1
5	00-499085-00003	Insert - Filter Screen (2-1/4 x 19 In.) (50 Series).....	1
6	00-499085-00007	Insert - Filter Screen (7-3/4 x 19 In.) (85 Series).....	1
7	00-499085-00005	Insert - Fabric Envelope (3-3/4 x 22 In.) (50 Series).....	1
8	00-499085-00004	Insert - Filter Screen (10-1/2 x 13-1/2 In.) (85 Series).....	1
9	00-499089-00002	Clip - Filter, Envelope (5 In. Lg.) (50 Series).....	1
10	00-499089-00003	Clip - Filter, Envelope (10-1/2 In. Lg.) (85 Series).....	1
11	00-499086-000G4	Filter - Envelope (6 Pack) (50 Series).....	1
12	00-499086-000G7	Filter - Envelope (6 Pack) (85 Series).....	1
13	00-499081-000G9	Tube - Suction (50 Series).....	1
14	00-499081-00G13	Tube - Suction (85 Series).....	1
15	NS-017-49	Jam Nut 3/4-16 Hex.....	1
16	00-499083-00002	Coupling - Suction.....	1
17	00-499084-00002	Knob - Port Suction.....	1
18	00-497374-000G1	Vessel Assy. (50 Series).....	1
19	00-497374-000G2	Vessel Assy. (85 Series).....	1
20	00-426606-000G4	Basket - Scrap (50 Series).....	1
21	00-426606-000G6	Basket - Scrap (85 Series).....	1
22	00-428180-000G4	Drawer Assy. (Incls. Items 18, 19, & 20) (50 Series).....	1
23	00-428180-000G5	Drawer Assy. (Incls. Items 18, 19, & 20) (85 Series).....	1
24	00-426600-00002	Bearing - Roller.....	2
25	00-426600-00003	Screw 1/4-20.....	2
26	00-426600-000G1	Roller Guide Assy.....	1
27	00-958026-000G5	Guide - Cabinet (RH) (27-1/2 In.).....	1
28	00-958026-000G6	Guide - Cabinet (LH) (27-1/2 In.).....	1
29	00-958026-00008	Roller (RH) (27-1/2 In.).....	1
30	00-958026-00011	Roller (LH) (27-1/2 In.).....	1
31	00-422281-00007	Hose - Discard (6 Ft.).....	1
32	00-499486-00001	Clip - Drain Pipe.....	1
33	00-413927-00001	Grommet - Rubber.....	1



**BASKETLIFT COMPONENTS**

## BASKETLIFT COMPONENTS

ILLUS.	PART NO.	NAME OF PART	AMT.
PL-61249			
1	00-422018-00001	Wrap - Top (85 Series).....	1
2	00-422017-00001	Wrap - Top (50 Series).....	1
3	00-418503-00002	Tube.....	1
4	SC-088-40	Set Screw 5/16-24 x 1/4 Hex Hdls., Cup Pt.....	1
5	PB-004-04	Plug Button (1-1/4).....	1
6	00-956914-000G6	Lift Assy. (Single) (85 Series).....	1
7	00-956914-000G7	Arm - Basket Assy. (Single) (50 Series).....	1
8	PB-004-04	Plug Button (1-1/4).....	2
9	SD-032-07	Self-Tapping Screw 10-24 x 1/2 Hex Washer Hd., Type TT.....	2
10	WS-004-33	Washer.....	6
11	NS-047-73	Lock Nut 5/16-18 Hex.....	6
12	00-422247-000G1	Bearing Support Assy.....	1
13	SD-036-03	Self-Tapping Screw 8-18 x 3/8 Hex Washer Hd., Type AB.....	10
14	SC-109-10	Mach. Screw 6-32 x 3/8 Slotted Pan Hd. (SST).....	1
15	NS-009-07	Nut 6-32 Hex.....	1
16	00-078752-00012	Clamp - Cable.....	1
17	SC-037-80	Cap Screw 10-24 x 1/2 Hex Hd.....	8
18	NS-009-02	Nut 4-40 Hex.....	2
19	SC-112-90	Mach. Screw 4-40 x 1 Slotted Pan Hd.....	2
20	00-411496-000F3	Microswitch.....	1
21	00-418159-00001	Block - Cam Switch.....	1
22	00-418123-000G1	Plate - Motor.....	1
23	00-418156-00001	Gear - Motor (115 V., 60 Hz.).....	1
24	00-418156-00003	Gear - Motor (208 V., 50/60 Hz.).....	1
25	00-418517-00001	Shroud - Motor.....	1
26	00-418484-00001	Base - Motor Mounting (50 Series).....	1
27	00-418513-00001	Base - Motor Mounting (85 Series).....	1
28	SD-032-07	Self-Tapping Screw 10-24 x 1/2 Hex Washer Hd., Type TT.....	2
29	SC-037-80	Cap Screw 10-24 x 1/2 Hex Hd.....	2
30	SC-018-47	Mach. Screw 10-32 x 3/4 Slotted Pan Hd.....	4
31	00-416535-00004	Switch - Relay S.P.D.T. 24 V.....	1
32	SC-109-10	Mach. Screw 6-32 x 3/8 Slotted Pan Hd. (SST).....	3
33	NS-009-07	Nut 6-32 Hex.....	3
34	SD-036-03	Self-Tapping Screw 8-18 x 3/8 Hex Washer Hd., Type AB.....	4
35	00-418480-00001	Wrap - Bottom (50 Series).....	1
36	00-418510-00001	Wrap - Bottom (85 Series).....	1
37	00-078752-00012	Clamp - Cable.....	1
38	SC-109-10	Mach. Screw 6-32 x 3/8 Slotted Pan Hd. (SST).....	1
39	NS-009-07	Nut 6-32 Hex.....	1
40	00-418482-00001	Grommet.....	1
41	00-418475-000G1	Crank - Arm Assy.....	1
42	SC-055-02	Set Screw 1/4-20 x 1/4 Hdls., Cup Pt. (SST).....	2
43	NS-047-73	Lock Nut 5/16-18 Hex.....	1
44	WS-004-33	Washer.....	1
45	SD-015-41	Self-Tapping Screw 8-32 x 1/2 Phil. Pan Hd., Type TT.....	2
46	00-418477-000G1	Coupler Assy.....	1
47	WS-004-33	Washer.....	1
48	NS-047-73	Lock Nut 5/16-18 Hex.....	1

