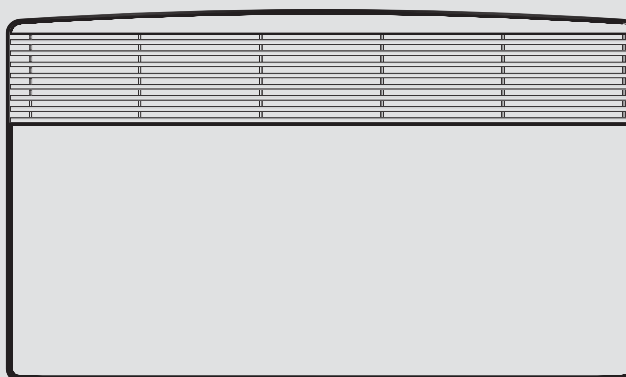


# OPERATION AND INSTALLATION GUÍA DE OPERACIÓN E INSTALACIÓN MODE D'EMPLOI ET MANUEL D'INSTALLATION

WALL MOUNTED CONVECTION HEATER  
CONVECTOR DE PARED  
APPAREIL DE CHAUFFAGE À CONVECTION MURAL

- » CNS 100-1 E
- » CNS 100-2 E
- » CNS 150-1 E
- » CNS 150-2 E
- » CNS 200-2 E
- » CNS 240-2 E



Conforms to ANSI/UL Std. 2021  
Certified to CAN/CSA Std. 22.2 No. 46  
Conforme a ANSI/UL Std. 2021  
Certificación con CAN/CSA Std. 22.2 No. 46  
Conforme à la norme ANSI/UL Std. 2021  
Certifié à la norme CAN/CSA Std. 22.2 No. 46

**STIEBEL ELTRON, Inc.**  
17 West Street | West Hatfield, MA 01088  
Tel. 413-247-3380 | Fax 413-247-3369  
Email [info@stiebel-eltron-usa.com](mailto:info@stiebel-eltron-usa.com)  
[www.stiebel-eltron-usa.com](http://www.stiebel-eltron-usa.com)

**STIEBEL ELTRON**

**OPERATION**

1. **Important Instructions** \_\_\_\_\_ 2  
 1.1 Document information \_\_\_\_\_ 2  
 1.2 Key to symbols \_\_\_\_\_ 2  
 2. **Safety** \_\_\_\_\_ 3  
 2.1 Intended use \_\_\_\_\_ 3  
 2.2 Safety information \_\_\_\_\_ 3  
 2.3 ETL / UL designation \_\_\_\_\_ 3  
 2.4 Type label \_\_\_\_\_ 3  
 3. **Register your product** \_\_\_\_\_ 4  
 4. **Appliance description** \_\_\_\_\_ 4  
 5. **CNS E Operation** \_\_\_\_\_ 4  
 5.1 Description of the user interface \_\_\_\_\_ 4  
 5.2 Frost protection \_\_\_\_\_ 4  
 5.3 Limiting the temperature controller \_\_\_\_\_ 4  
 5.4 Shutting down \_\_\_\_\_ 5  
 6. **Cleaning, care and maintenance** \_\_\_\_\_ 5  
 7. **What to do if ...** \_\_\_\_\_ 5

**INSTALLATION**

8. **Safety** \_\_\_\_\_ 5  
 8.1 General safety instructions \_\_\_\_\_ 5  
 8.2 Instructions, standards and regulations \_\_\_\_\_ 5  
 9. **Appliance description** \_\_\_\_\_ 5  
 9.1 Standard delivery \_\_\_\_\_ 5  
 10. **Installation** \_\_\_\_\_ 5  
 10.1 Installing the wall mounting bracket \_\_\_\_\_ 5  
 10.2 Appliance installation \_\_\_\_\_ 6  
 10.3 Dismounting the appliance \_\_\_\_\_ 6  
 10.4 Power supply \_\_\_\_\_ 6  
 10.5 Terminal block \_\_\_\_\_ 6  
 11. **Appliance handover** \_\_\_\_\_ 7  
 12. **Specifications** \_\_\_\_\_ 7  
 12.1 Dimensions \_\_\_\_\_ 7  
 12.2 Minimum clearances to hard surfaces \_\_\_\_\_ 7  
 12.3 Specifications \_\_\_\_\_ 8  
 12.4 Wiring Diagram \_\_\_\_\_ 8  
 13. **Warranty** \_\_\_\_\_ 9

**OPERATION**

**1. IMPORTANT INSTRUCTIONS**

**SAVE THESE INSTRUCTIONS**

When using electrical appliances, basic precautions should always be followed to reduce the risk of fire, electric shock, and injury to persons, including the following:

1. Read all instructions before installing or using this heater.
2. This heater is hot when in use. To avoid burns, do not let bare skin touch hot surfaces. Keep combustible materials, such as furniture, pillows, bedding, papers, clothes, etc. and curtains at least 3 feet (1 m) from the front of the heater and keep them at least 3 feet (1 m) away from the sides and rear.
3. Extreme caution is necessary when any heater is used by or near children or invalids and whenever the heater is left operating and unattended.
4. Do not operate any heater after it malfunctions. Disconnect power at service panel and have heater inspected by a reputable electrician before reusing.

**1.1 Document information**

The chapter **Operation** is intended for users and heating contractors.

The chapter **Installation** is intended for heating contractors.



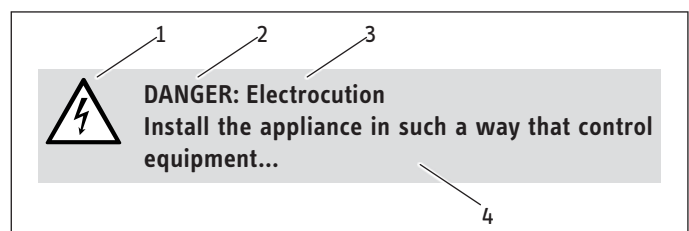
**Read these instructions carefully before using the appliance and retain them for future reference. Pass on the instructions to any new users.**

**1.2 Key to symbols**

**1.2.1 Layout of safety information**

Safety information comprises a warning symbol, a keyword and a text giving information. Safety information is printed on a grey background.

Example:










- 1 Symbol (see chapter on warning symbols/symbols)
- 2 Keyword (see chapter on keywords)
- 3 Description (see chapter on warning symbols/symbols)
- 4 Information text

# OPERATION

## SAFETY

### 1.2.2 Warning symbols/symbols

Warning symbol	Description
	Injury
	Electrocution
	Burns or scalding
	Other situations
	Fire
	Never cover the appliance
	Appliance disposal

### 1.2.3 Text symbols and layout in this documentation



Read the text next to this symbol carefully.

» The "»" symbol indicates that you should do something. The action you need to take is described step by step.

– Passages with the "–" symbol show you lists of items.

### 1.2.4 Information on the appliance



Never cover the appliance

### 1.2.5 Units of measurement



The dimensions in this document are given in in / mm. Any alternative units of measurements are specified accordingly.

## 2. Safety

### 2.1 Intended use

This appliance is designed to heat living areas.

Any other use beyond that described shall be deemed inappropriate. Observation of these instructions is also part of the correct use of this appliance. Any modifications or conversions to the appliance void all warranty rights.

### 2.2 Safety information

Operate the appliance only when fully installed and with all safety equipment fitted.

The heater must be properly installed before it is used.



**DANGER: Electrocution**  
Before cleaning, make sure the power has been turned off at the circuit breaker panel and that the heating element of the heater is cool.



#### WARNING: Fire

Never operate this appliance ...  
...in rooms where the appliance is at risk of fire or explosion as a result of chemicals, dust, gases or vapours.  
...in the direct proximity of pipes or receptacles that carry or contain flammable or explosive materials.  
...if work such as laying cables, grinding or sealing is carried out in the installation room.  
...if sprays, floor polish or similar products containing napsan are used. Vent the room sufficiently before heating.  
...if the minimum clearances to adjacent object surfaces are not maintained, for example to furniture, net curtains, curtains, textiles or other flammable materials (see 13.2, "Minimum clearances to hard surfaces", pg. 7).  
...if an appliance component is damaged, the appliance has fallen over or already had a fault.



#### WARNING: Injury

Where children or persons with limited physical, sensory or mental capabilities are allowed to control this appliance, ensure that this will only happen under supervision or after appropriate instructions by a person responsible for their safety. Children must be supervised to ensure that they never play with the appliance.



#### WARNING: Fire

Never place any flammable, combustible or insulating objects or materials, such as laundry, blankets, magazines, containers with floor polish or napsan, spray cans or similar on the appliance or in direct proximity to it.



#### WARNING Burns

The surfaces of the appliance casing and the expelled air become hot during operation (more than 176 °F / 80 °C).



#### CAUTION: Overheating

Never cover the appliance



Never step on the appliance.

### 2.3 ETL / UL designation

Conforms to ANSI/UL Std. 2021

Certified to CAN/CSA Std. 22.2 No. 46

### 2.4 Type label

The type label is located on the right on the exterior of the appliance.

### 3. Register your product



You must register this product within 90 days of purchase on our web site in order to activate the standard warranty or to be eligible for the extended warranty. Go to our web site at [www.stiebel-eltron-usa.com](http://www.stiebel-eltron-usa.com) and click on register your product.

Before beginning the registration process, we suggest that you gather the necessary information which will be as follows:

**Type, Example:** CNS 100-2 E (from the white label that is on the right side of the unit)

**Number listed after "Nr."**

**Place of Purchase**

**Purchase Date**

**First & Last Name**

**Email address**

**Physical Address**

**Phone Number**

**IF YOU HAVE ANY QUESTIONS CONCERNING THE REGISTRATION PROCESS OR WARRANTY OPTIONS, PLEASE CONTACT STIEBEL ELTRON USA DIRECTLY AT (800)-582-8423.**

### 4. Appliance description

The appliance is an electric direct heater only for installation on a wall.

The appliance is suitable as a full heating system in bathrooms, for example, or for use between seasons and as a booster heater in smaller rooms, such as hobby and guest rooms.

The air in the appliance is heated by a heating element and expelled via natural convection through the air outlet grille at the top. Cool room air flows in through the apertures at the bottom of the appliance.

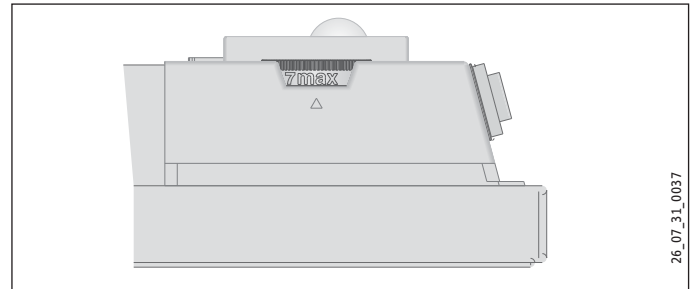
After mounting the appliance on the wall and making the electrical connection to the main breaker, the appliance is ready for operation.

### 5. CNS E Operation

The CNS E is a convection operated space heater with a thermostat and an on/off switch.

#### 5.1 Description of the user interface

- » Switch the appliance ON via the switch on the right hand side of the appliance.
- » Set the required room temperature via the continuously variable temperature selector (for temperatures see specification chapter).



26\_07\_31\_0037

As soon as the selected room temperature is reached, it is constantly maintained at this selected temperature through periodic heating (the output of the appliance must correspond at least to the required heat demand of the room).

If several appliances are installed in a single room, the setting at the temperature selector on each appliance can be different.

To avoid excessive power consumption when windows are open, you should stop the appliance while venting.

#### 5.2 Frost protection

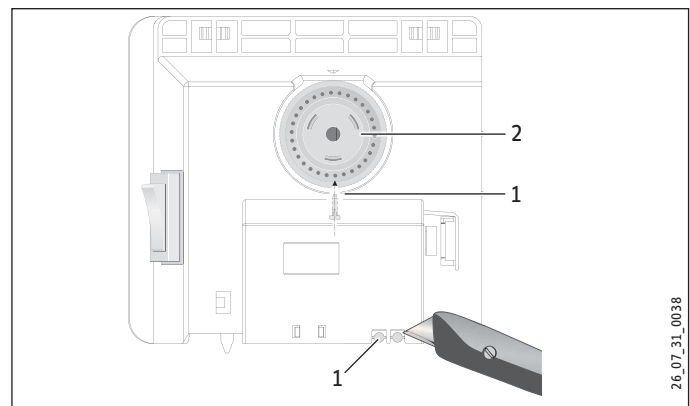
To disable normal heating but maintain protection against freezing, turn the temperature selector as far to the right as possible. In this position, the temperature controller switches on the heating element automatically if the room temperature drops below the frost protection temperature (45 °F / 7 °C).

#### 5.3 Limiting the temperature controller

Using the two pins fitted to the back of the control casing, you can fix the temperature controller at a certain setting or limit the temperature setting range.

» Break out the pins.

» To prevent adjustment of the selected temperature, push a pin into the hole opposite (see diagram).



26\_07\_31\_0038

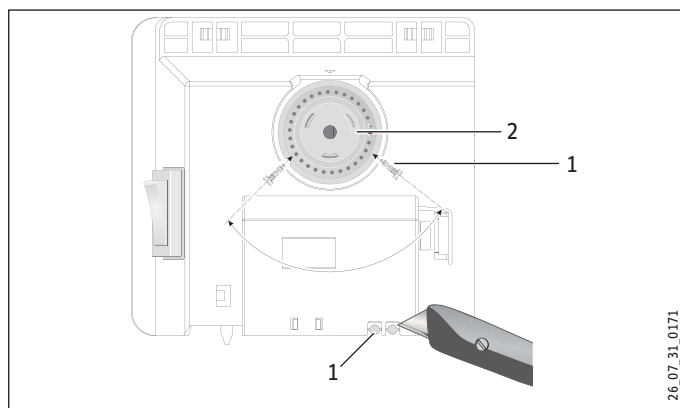
1 Pin

2 Temperature selector

» To limit the temperature setting range, set the minimum and maximum values at the temperature selector, and push a pin for each into the slightly offset hole opposite (see diagram).

## OPERATION

# CLEANING, CARE AND MAINTENANCE



- 1 Pin  
2 Temperature selector

### 5.4 Shutting down

» Move the switch on the right of the appliance to OFF.

## 6. Cleaning, care and maintenance



**WARNING:**  
Before cleaning, make sure the power has been turned off at the circuit breaker panel and that the heating element of the heater is cool. Failure to do so could result in serious burns, electrocution, serious bodily injury, or death.

If a pale brownish discolouration appears on the appliance casing, wipe this off as soon as possible with a damp cloth. Clean the appliance when cold with ordinary cleaning products. Avoid abrasive or corrosive cleaning products.



**CAUTION: Fire**  
Never spray cleaning spray into the air slot. Ensure that no moisture can enter the appliance.

As part of regular maintenance, we recommend also having the control components checked. The safety and control components should be checked by a contractor no more than ten years after commissioning.

## 7. What to do if ...

... the appliance does not heat up:

Check the temperature set at the appliance and the circuit breaker box.

The appliance has a safety temperature controller that shuts the appliance down if it overheats. After the cause has been removed (for example air outlet or inlet apertures covered) and the appliance has cooled down for a few minutes, operation starts again.

If you cannot remedy the fault, contact your contractor. To facilitate and speed up your enquiry, please provide the number on the type plate (000000-0000-000000).

# INSTALLATION

## 8. Safety

Only qualified contractors should carry out installation, commissioning, maintenance and repair of the appliance.

### 8.1 General safety instructions

We guarantee trouble-free function and operational reliability only if the original accessories and spare parts intended for the appliance are used.



**DANGER: Electrocution**

If you mount the appliance on the wall, do so in such a way that control equipment cannot be touched by a person in the bath or shower.



**CAUTION:**

-Only fit the wall mounted appliance to a vertical wall that is temperature-resistant to at least 185 °F / 85 °C.

-Observe the minimum clearances to adjacent object surfaces (for minimum clearances see specification chapter).

-Never install the appliance directly below a wall socket.

-Ensure that the power cable is not in contact with any appliance components.

### 8.2 Instructions, standards and regulations



Observe all applicable national and regional regulations and instructions.



Observe the Building and Garage Regulations [or local regulations].

## 9. Appliance description

### 9.1 Standard delivery

» Wall mounting bracket (hooked into the appliance)

## 10. Installation

### 10.1 Installing the wall mounting bracket

You can use the wall mounting bracket as a template for wall mounting; this ensures the required floor clearance.

» Unhook the wall mounting bracket.

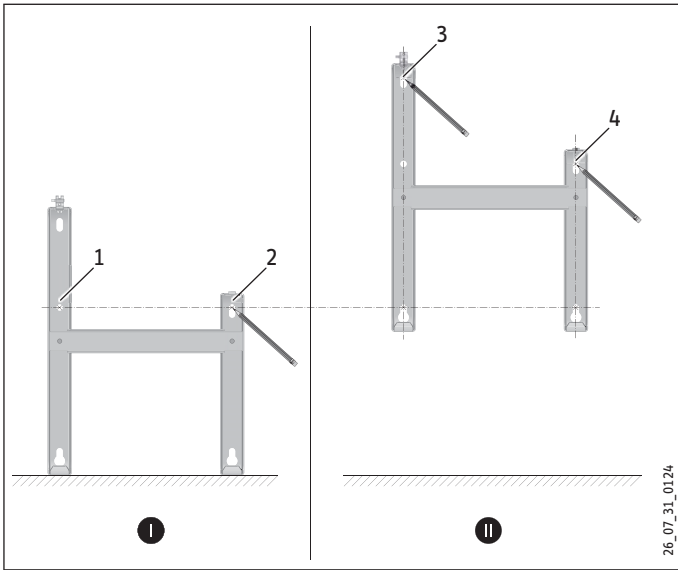
» Place the centred wall mounting bracket level on the ground and mark holes 1 and 2.

» Lift up the wall mounting bracket so that its lower holes match up with the markings you have just made on the installation wall.

» Mark holes 3 and 4 on the installation wall.

# INSTALLATION

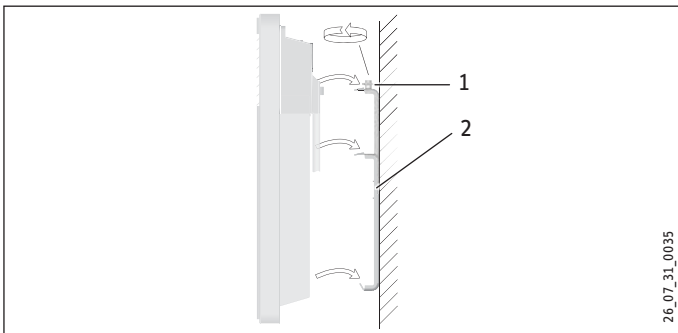
## INSTALLATION



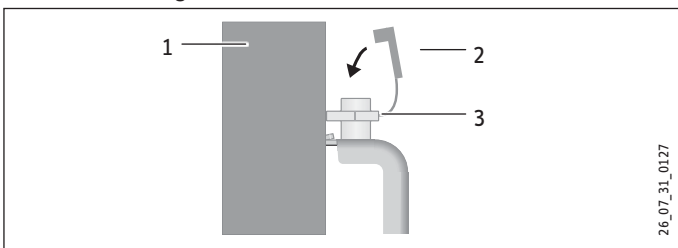
» Drill holes at all four markings. Secure the wall mounting bracket with suitable materials (screws, rawl plugs) depending on the type of wall. With the vertical slots, you can compensate for an offset fixing hole.

### 10.2 Appliance installation

- » Hook the appliance by its slots in the back of the appliance on to all four tabs of the wall mounting bracket simultaneously.
- » Push the appliance to latch it in position.
- » Turn the locking bolt in the wall mounting bracket fully clockwise; this locks the appliance in place.
- » Push the safety cap onto the locking bolt to prevent it from loosening.



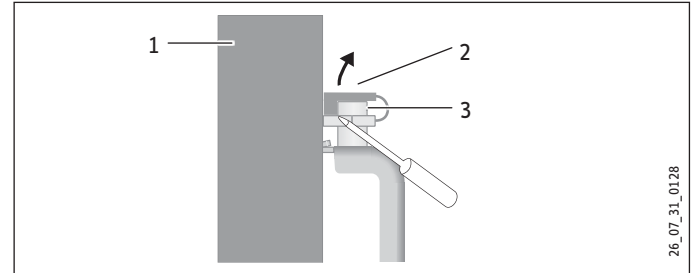
- 1 Locking bolt
- 2 Wall mounting bracket



- 1 Appliance
- 2 Safety cap
- 3 Locking bolt

### 10.3 Dismounting the appliance

- » Remove the safety cap from the locking bolt.



- 1 Appliance
- 2 Safety cap
- 3 Locking bolt

- » Undo the locking bolt on the wall mounting bracket.
- » Lift the appliance up slightly and pull it forwards and away from the wall mounting bracket.

### 10.4 Power supply

This appliance does not come with an electric cable. Cable must be routed to the unit from a circuit breaker of suitable size.

Ensure the power cable is of a suitable gauge.

### 10.5 Terminal block

Consult the chart below for the recommended torque amounts on the terminal block screws.

Screw Size (mm)	Min. Torque (N•cm)	Min. Torque (Lbf•in)
M3.5	60-80	5.31-7.08

Using the proper torque specifications to secure wire to the wiring block helps to avoid personal loss or property damage.



#### DANGER: Electrocution

Carry out all electrical connection and installation work in accordance with all national, state and local building code.



#### DANGER: Electrocution

Each heater must be wired directly to the circuit breaker panel with the proper size breaker and wire gauge.



#### DANGER: Electrocution

Do not plug the heater into a wall outlet.



The specified voltage on the nameplate must match the voltage at the circuit breaker panel.

# INSTALLATION

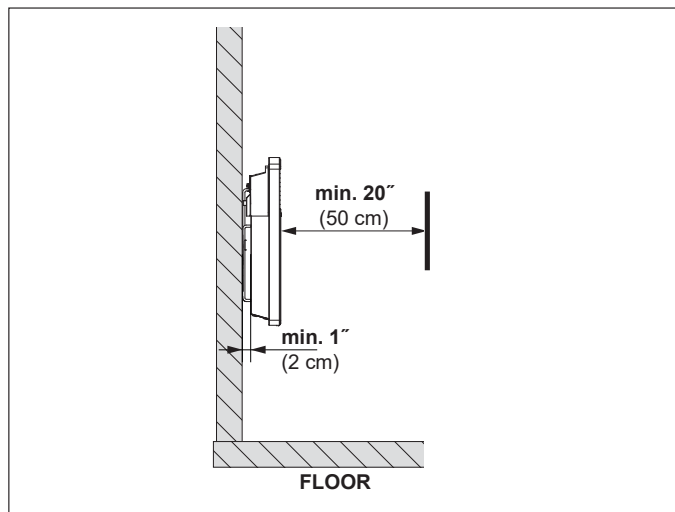
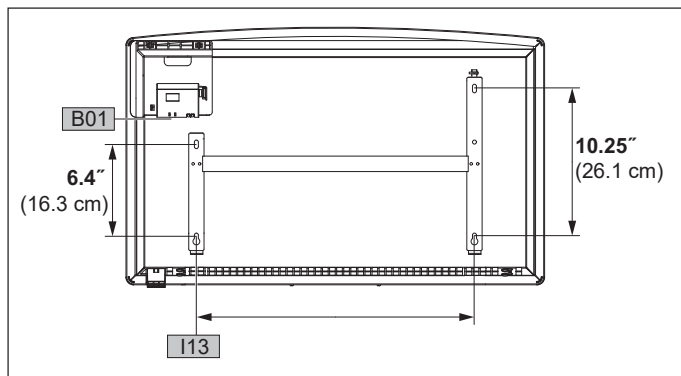
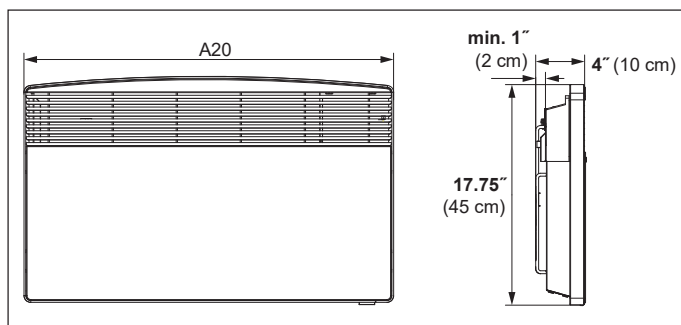
## APPLIANCE HANDOVER

### 11. Appliance handover

Explain the functions of the appliance to the user. Draw special attention to the safety information. Hand the operating and installation instructions to the user.

### 12. Specifications

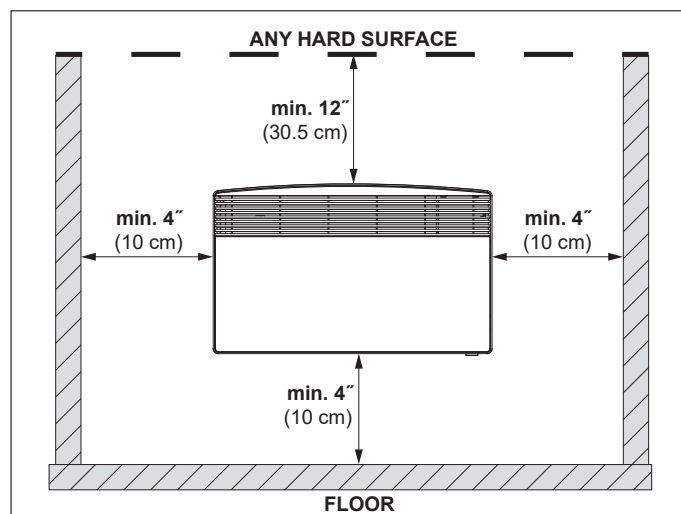
#### 12.1 Dimensions



» The image above shows minimum allowed clearances between the installed appliance and any hard surfaces.

			CNS 100-1,-2 E	CNS 150-1,-2 E	CNS 200-2 E	CNS 240-2 E
A20	Appliance	Width	17 <sup>1</sup> / <sub>2</sub> " / 44.5 cm	23 <sup>3</sup> / <sub>4</sub> " / 59.0 cm	29 <sup>3</sup> / <sub>8</sub> " / 74.0 cm	35 <sup>3</sup> / <sub>16</sub> " / 89.0 cm
B01	Electrical cable entry					
i13	Wall mounting bracket	Hole spacing	7 <sup>3</sup> / <sub>4</sub> " / 19.5 cm	13 <sup>1</sup> / <sub>2</sub> " / 34.3 cm	19 <sup>1</sup> / <sub>4</sub> " / 49.1 cm	25 <sup>1</sup> / <sub>4</sub> " / 63.9 cm

#### 12.2 Minimum clearances to hard surfaces



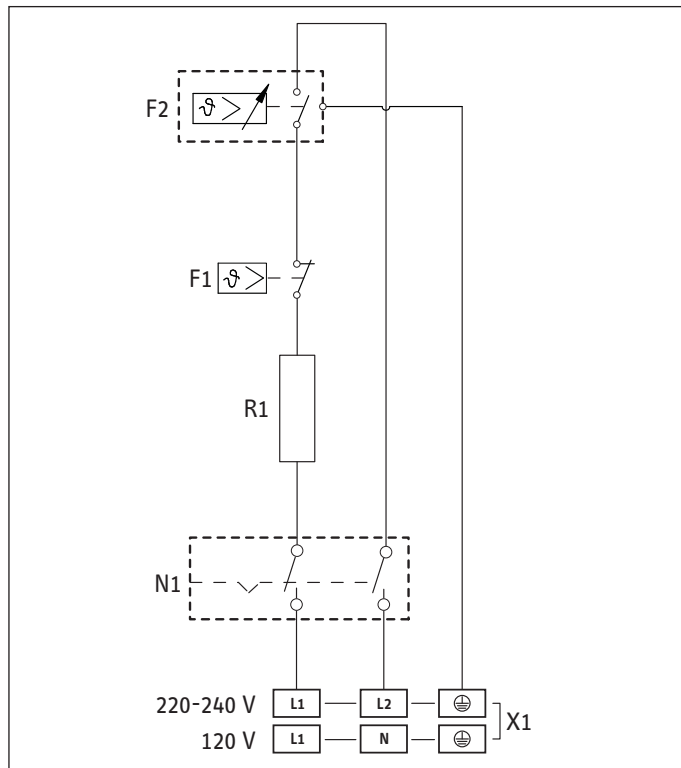
# INSTALLATION SPECIFICATIONS

## 12.3 Specifications

Model	CNS 100-1 E	CNS 100-2 E	CNS 150-1 E	CNS 150-2 E	CNS 200-2 E	CNS 240-2 E
Item No.	233586	231543	233587	231544	231545	231546
Voltage	120 V	240 V	208 V	120 V	240 V	208 V
Wattage	1.0 kW	1.0 kW	0.75 kW	1.5 kW	1.5 kW	1.13 kW
Amperage	8.3 A	4.2 A	3.6 A	12.5 A	6.3 A	5.4 A
Required circuit breaker <sup>1</sup>	15 A					
Required wire size	14 AWG					
Temperature range	45-86 °F/ 7-30 °C					
Frost protection setting	45 °F/ 7 °C					
Height	17 <sup>3</sup> / <sub>4</sub> " / 45.0 cm					
Width	17 <sup>1</sup> / <sub>2</sub> " / 44.5 cm	17 <sup>1</sup> / <sub>2</sub> " / 44.5 cm	23 <sup>1</sup> / <sub>4</sub> " / 59.0 cm	23 <sup>1</sup> / <sub>4</sub> " / 59.0 cm	29 <sup>1</sup> / <sub>8</sub> " / 74.0 cm	35 <sup>3</sup> / <sub>16</sub> " / 89.0 cm
Depth	3 <sup>15</sup> / <sub>16</sub> " / 10.0cm					
Weight	9.7 lb/ 4.4 kg	9.7 lb/ 4.4 kg	12.6 lb/ 5.7 kg	12.6 lb/ 5.7 kg	15.0 lb/ 6.8 kg	17.9 lb/ 8.1 kg
Color	Alpine white					

<sup>1</sup> This is our recommendation as the manufacturer. Check local codes for compliance if necessary.

## 12.4 Wiring Diagram



Label	Description
F1	Thermal cut-out
F2	Thermostat
N1	On/off switch
R1	Heating element
X1	Terminal Block



### 13. Warranty

Subject to the terms and conditions set forth in this limited warranty, Stiebel Eltron, Inc. (the "Manufacturer") hereby warrants to the original purchaser (the "Owner") that each Electric Space Heater (the "Heater") shall be free of defects in the Manufacturer's materials or workmanship for a period of three (3) years from the date of purchase. As Owner's sole and exclusive remedy for breach of the above warranty, Manufacturer shall, at the Manufacturer's discretion, send replacement parts for local repair; retrieve the unit for factory repair, or replace the defective Heater with a replacement unit with comparable operating features. Manufacturer's maximum liability under all circumstances shall be limited to the Owner's purchase price for the Heater.

This limited warranty shall be the exclusive warranty made by the Manufacturer and is made in lieu of all other warranties, express or implied, whether written or oral, including, but not limited to warranties of merchantability and fitness for a particular purpose. Manufacturer shall not be liable for incidental, consequential or contingent damages or expenses arising directly or indirectly from any defect in the Heater or the use of the Heater. Manufacturer shall not be liable for any damage to property of Owner arising, directly or indirectly, from any defect in the Heater or the use of the Heater. Manufacturer alone is authorized to make all warranties on Manufacturer's behalf and no statement, warranty or guarantee made by any other party shall be binding on Manufacturer.

Manufacturer shall not be liable for any damage whatsoever relating to or caused by:

1. any misuse or neglect of the Heater, any accident to the Heater, any alteration of the Heater, or any other unintended use;
2. acts of God and circumstances over which Manufacturer has no control;

3. installation of the Heater other than as directed by Manufacturer and other than in accordance with applicable building codes;
4. failure to maintain the Heater or to operate the Heater in accordance with the Manufacturer's specifications;
5. improper installation and/or improper materials used by any installer and not relating to defects in parts or workmanship of Manufacturer;
6. moving the Heater from its original place of installation;
7. use on improper voltage or current;
8. disassembly, repair, or alteration by anyone other than the manufacturer.

Should owner wish to return the Heater to manufacturer for repair or replacement under this warranty, Owner must first secure written authorization from Manufacturer. Owner shall demonstrate proof of purchase, including a purchase date, and shall be responsible for all removal and transportation costs. If Owner cannot demonstrate a purchase date this warranty shall be limited to the period beginning from the date of manufacture stamped on the Heater. Manufacturer reserves the right to deny warranty coverage upon Manufacturer's examination of Heater. This warranty is restricted to the Owner and cannot be assigned.

Some States and Provinces do not allow the exclusion or limitation of certain warranties. In such cases, the limitations set forth herein may not apply to the Owner. In such cases this warranty shall be limited to the shortest period and lowest damage amounts allowed by law. This warranty gives you specific legal rights and you may also have other rights which vary from State to State or Province to Province.

Owner shall be responsible for all labor and other charges incurred in the removal or repair of the Heater in the field.



The installation, electrical connection and first operation of this appliance should be carried out by a qualified installer.



The company does not accept liability for failure of any goods supplied which have not been installed and operated in accordance with the manufacturer's instructions.

### Environment and recycling

We would ask you to help protect the environment. After use, dispose of the various materials in accordance with national regulations.

This Warranty is valid for U.S.A. & Canada only. Warranties may vary by country. Please consult your local Stiebel Eltron representative for the Warranty for your country.

## OPERACIÓN

<b>1. INSTRUCCIONES IMPORTANTES</b>	<b>10</b>
1.1 Información del documento	10
1.2 Explicación de símbolos	10
<b>2. Seguridad</b>	<b>11</b>
2.1 Uso previsto	11
2.2 Información de seguridad	11
2.3 Certificación ETL / UL	11
2.4 Etiqueta de características	11
<b>3. Registre su producto</b>	<b>12</b>
<b>4. Descripción del artefacto</b>	<b>12</b>
<b>5. Operación</b>	<b>12</b>
5.1 Descripción de la interface de usuario	12
5.2 Protección anticongelante	12
5.3 Limitación del controlador de temperatura	12
5.4 Apagado	13
<b>6. Limpieza, cuidado y mantenimiento</b>	<b>13</b>
<b>7. Qué hacer si ...</b>	<b>13</b>

## INSTALACIÓN

<b>8. Seguridad</b>	<b>13</b>
8.1 Instrucciones de seguridad general	13
8.2 Instrucciones, estándares y normativa	13
<b>9. Descripción del artefacto</b>	<b>13</b>
9.1 Entrega estándar	13
<b>10. Instalación</b>	<b>13</b>
10.1 Instalación del soporte para montaje en pared	13
10.2 Instalación del artefacto	14
10.3 Desmontaje del artefacto	14
10.4 Suministro de energía	14
10.5 Bloque de terminales	14
<b>11. Traspaso del artefacto</b>	<b>15</b>
<b>12. Especificaciones</b>	<b>15</b>
12.1 Dimensiones de la versión de pared	15
12.2 Distancias mínimas	15
12.3 Tabla de especificaciones	16
12.4 Plano eléctrico	16
<b>13. Garantía</b>	<b>17</b>

## OPERACIÓN

### 1. INSTRUCCIONES IMPORTANTES

#### GUARDE ESTAS INSTRUCCIONES

Siempre que se utilizan artefactos eléctricos, se deben tomar precauciones básicas para reducir los riesgos de incendio, shock eléctrico y lesiones personales, incluyendo las siguientes:

1. Lea todas las instrucciones antes de instalar o utilizar el calefactor.
2. El calefactor se calienta cuando está funcionando. Para prevenir quemaduras, evite que la piel desnuda entre en contacto con las superficies calientes. Mantenga materiales combustibles, tales como muebles, almohadas, ropa de cama, papeles, ropa, etc. y cortinas a una distancia de al menos 1 m (3 ft) del frente del calefactor, y a una distancia de al menos 1 m (3 ft) de los laterales y la parte posterior del artefacto.
3. Se deben tomar precauciones extremas cuando cualquier calefactor es utilizado por o cerca de niños o personas discapacitadas y cuando el calefactor se deja funcionando y sin vigilancia.
4. No utilice ningún calefactor que haya tenido un funcionamiento defectuoso. Desconecte la energía del panel de servicio y haga que un electricista confiable lo revise antes de reutilizarlo.

#### 1.1 Información del documento

El capítulo **Operación** está destinado a usuarios y técnicos en calefacción.

El capítulo **Instalación** está destinado a técnicos en calefacción.



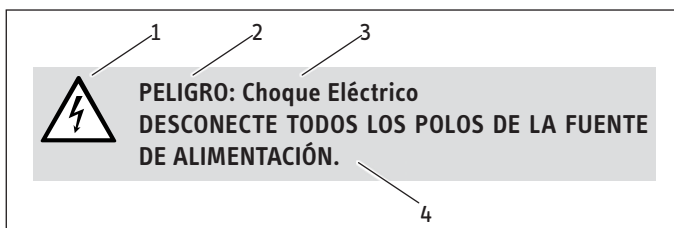
Lea las instrucciones cuidadosamente antes de utilizar el artefacto y guárdelas para consultas futuras. Pásele las instrucciones a cualquier nuevo usuario.

#### 1.2 Explicación de símbolos

##### 1.2.1 Presentación de la información de seguridad








La información de seguridad comprende un símbolo de advertencia, una palabra clave y un texto informativo. La información de seguridad está impresa sobre un fondo gris.

Ejemplo:



- 1 Símbolo (ver capítulo sobre símbolos de advertencia/ símbolos)
- 2 Palabra clave (ver capítulo sobre palabras clave)
- 3 Descripción (ver capítulo sobre símbolos de advertencia/ símbolos)
- 4 Texto informativo

## 1.2.2 Símbolos de advertencia/símbolos

Símbolo de advertencia	Descripción
	Lesiones
	Electrocución
	Quemaduras o escaldaduras
	Otras situaciones
	Incendio
	Nunca cubra el artefacto
	Desecho del artefacto

## 1.2.3 Símbolos de texto y su presentación en esta documentación



Lea el texto que está junto a este símbolo cuidadosamente.

» El símbolo “»” indica que usted debe realizar alguna acción. La acción que debe realizar se describe paso a paso.

– Los pasajes que contienen el símbolo “–” le presentan listas de ítems.

## 1.2.4 Información sobre el artefacto



Nunca cubra el artefacto

## 1.2.5 Unidades de medida



Las dimensiones se indican en este documento en mm / in.. Cualquier unidad de medida alternativa se especifica según el caso.

# 2. Seguridad

## 2.1 Uso previsto

Este artefacto está diseñado para calefaccionar espacios en viviendas.

Cualquier otro uso diferente del descrito será considerado inapropiado. El cumplimiento de estas instrucciones es también parte del uso correcto de este artefacto. Cualquier modificación o transformación del artefacto invalida todos los derechos de garantía.

## 2.2 Información de seguridad

Utilice el artefacto solamente una vez que se encuentra completamente instalado y con todos los dispositivos de seguridad colocados.

El calentador de agua debe instalarse correctamente antes de su uso.



### PELIGRO: Electrocución

Antes de la limpieza, asegúrese de que la corriente esté desconectada en el panel del interruptor y de que el elemento de calentamiento del calentador esté frío.



### ADVERTENCIAL: Incendio

Nunca opere el artefacto ...

...en habitaciones donde el artefacto esté en riesgo de incendio o explosión como resultados de productos químicos, polvos, gases o vapores.  
...en proximidad inmediata de cañerías o recipientes que transportan o contienen materiales inflamables o explosivos.

...si en la habitación donde está instalado se están realizando trabajos tales como tendido de cables, molienda o sellado.

...si se utilizan aerosoles, lustra pisos o productos similares que contienen napsan. Ventile bien la habitación antes de calefaccionar.

...si no se mantienen las holguras mínimas respecto de las superficies de objetos adyacentes, como ser muebles, cortinas de red, cortinas, textiles u otros materiales inflamables (véase 14.2, “Distancias mínimas”, pág. 15).

...si un componente del artefacto está dañado, el artefacto se ha caído o ya tenía una falla.



### ADVERTENCIAL: Incendio

Nunca coloque objetos o materiales inflamables, combustibles o aislantes, tales como ropa, ropa de cama, revistas, recipientes con lustra pisos o napsan, latas de aerosol o similares sobre el artefacto o en proximidad inmediata al mismo.



### ADVERTENCIA: Quemaduras

Las superficies de la carcasa del artefacto y el aire expulsado se calientan durante el funcionamiento (más de 80 °C / 176 °F).



PRECAUCIÓN Sobrecalentamiento  
Nunca cubra el artefacto.



Nunca pise el artefacto.

## 2.3 Certificación ETL / UL

Conforme a ANSI/UL Std. 2021

Certificación con CAN/CSA Std. 22.2 No. 46

## 2.4 Etiqueta de características

La placa de características está ubicada en la parte derecha del exterior del artefacto.

### 3. Registre su producto



Debe registrar este producto en nuestro sitio web dentro de 90 días de la compra para activar la garantía estándar o para ser elegible para la garantía extendida. Vaya a nuestro sitio web a: [www.stiebel-eltron-usa.com](http://www.stiebel-eltron-usa.com) y haga clic en "register your product".

Antes de comenzar el proceso de registración, le sugerimos que reúna la información necesaria, tal y como sigue:

**Tipo, Ejemplo:** CNS 100-2 E (de la etiqueta blanca que se encuentra en la derecha de la unidad)

**Número que aparece después de "Nr.:"**

**Lugar de compra**

**Fecha de compra**

**Nombre y apellido**

**Dirección de correo electrónico**

**Dirección física**

**Número de teléfono**

**SI TIENE ALGUNA PREGUNTA SOBRE EL PROCESO DE REGISTRACIÓN O LAS OPCIONES DE GARANTÍA, POR FAVOR CONTACTAR A STIEBEL ELTRON EE.UU. AL (800)-582-8423.**

### 4. Descripción del artefacto

El artefacto es un calefactor eléctrico directo para ser instalado únicamente en una pared.

El artefacto es adecuado como sistema de calefacción general para baños, por ejemplo, o para ser usado entre estaciones, o como calefactor complementario en habitaciones pequeñas, como una sala de juegos o una habitación de huéspedes.

El aire es calentado dentro del artefacto por un elemento calefactor y luego es expulsado por convección natural a través de una rejilla de salida en la parte superior. El aire fresco de la habitación ingresa a través de las aberturas de la parte inferior del artefacto.

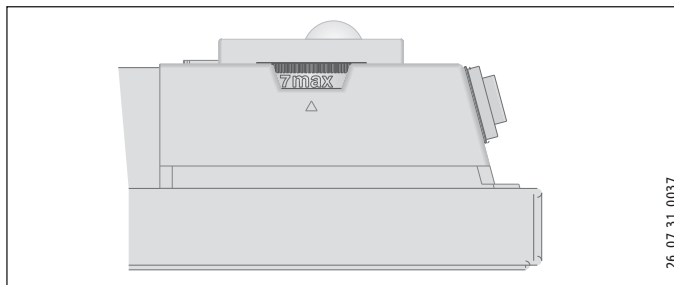
Después de instalar el artefacto en la pared y realizar la conexión eléctrica utilizando un suministro permanente de energía mediante un enchufe adecuado para artefactos, el mismo se encuentra listo para operar.

### 5. Operación

El CNS E es un calentador de convección con termostato y un interruptor de encendido / apagado.

#### 5.1 Descripción de la interface de usuario

- » Encienda el artefacto colocando en ON la llave que se encuentra en el lado derecho del mismo.
- » Seleccione la temperatura deseada utilizando el selector de temperatura de variación continua (para consultar las temperaturas vea el capítulo de especificaciones).



26\_07\_31\_0037

Tan pronto como se alcanza la temperatura elegida en la habitación, la misma se mantiene en forma constante mediante calentamientos periódicos (la salida del artefacto debe corresponder al menos con la demanda de calor de la habitación).

Si se instalan varios artefactos en un mismo ambiente, la temperatura seleccionada en cada artefacto puede ser diferente.

Para evitar el consumo excesivo de energía cuando las ventanas se encuentren abiertas, se debería apagar el artefacto para ventilar.

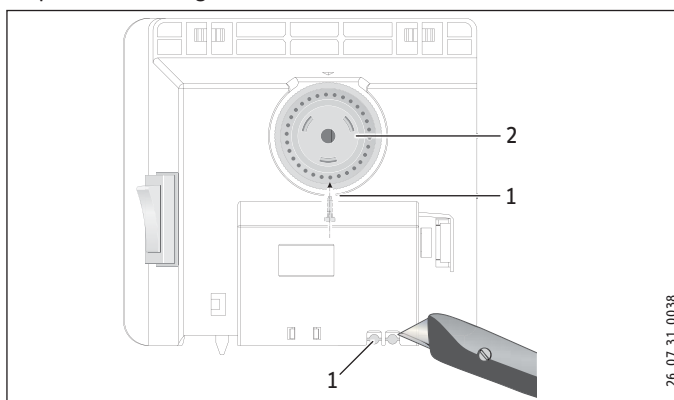
#### 5.2 Protección anticongelante

Gire el selector de temperatura lo más hacia la derecha posible. En esta posición, el controlador de temperatura enciende el elemento calefactor en forma automática si la temperatura en la habitación cae por debajo de la temperatura de protección anticongelante (7 °C / 45 °F).

#### 5.3 Limitación del controlador de temperatura

Se puede fijar el controlador de temperatura en una posición determinada o limitar el rango de variación de temperaturas utilizando dos pines ubicados en la parte posterior de la carcasa.

- » Retire los pines.
- » Para fijar la temperatura elegida, coloque un pin en el orificio opuesto (ver diagrama).

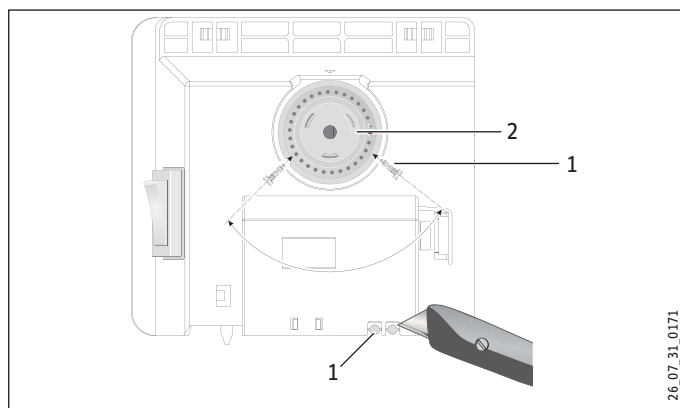


26\_07\_31\_0038

- 1 Tope
  - 2 Selector de temperatura
- » Para limitar el rango de variación de temperatura, elija los valores máximo y mínimo con el selector de temperatura e inserte un pin para cada uno en los orificios que se encuentran ligeramente desplazados en el lado opuesto (ver diagrama).

## OPERACIÓN

# LIMPIEZA, CUIDADO Y MANTENIMIENTO



- 1 Tope
- 2 Selector de temperatura

### 5.4 Apagado

» Coloque la llave que se encuentra en el lado derecho del artefacto en la posición OFF.

## 6. Limpieza, cuidado y mantenimiento



#### ADVERTENCIA:

Antes de comenzar a limpiar, asegúrese que se ha desconectado la energía en el panel del circuito disyuntor y que el elemento calentador del calefactor este frío. No hacerlo puede resultar en quemaduras severas, electrocución, lesiones corporales severas o muerte.

Si aparece una decoloración clara con tintes marrones en la carcasa del artefacto, límpiela tan pronto como sea posible con un paño húmedo. Limpie el artefacto una vez que está frío con productos de limpieza habituales. Evite utilizar productos de limpieza abrasivos o corrosivos.



#### PRECAUCIÓN: Incendio

Nunca rocíe aerosol de limpieza en la ranura del aire. Asegúrese que no pueda entrar humedad al artefacto.

Como parte del mantenimiento habitual, recomendamos que también se revisen los componentes de control. Los componentes de seguridad y control deben ser revisados por un contratista no más allá de diez años después de la puesta en funcionamiento.

## 7. Qué hacer si ...

... el artefacto no calienta:

Verifique la temperatura a la que se reguló el artefacto y la caja del disyuntor del circuito.

El artefacto tiene un control de seguridad de temperatura que lo apaga si se sobrecalienta. Después que se eliminó la causa (por ejemplo se encontraban cubiertas las aberturas de entrada o salida de aire) y el artefacto se enfrió durante unos minutos, se reanuda la operación.

Si no puede solucionar la falla, contacte a su contratista. Para facilitar y agilizar su consulta, por favor suminístrele el número que se encuentra en la placa de características (000000-0000-000000).

## INSTALACIÓN

### 8. Seguridad

La instalación, puesta en marcha, mantenimiento y reparación del artefacto debe ser realizada solamente por contratistas calificados.

#### 8.1 Instrucciones de seguridad general

Garantizamos el funcionamiento sin problemas y la seguridad operativa solamente si se utilizan los accesorios originales y los repuestos previstos para el artefacto.



#### PELIGRO: Electrocción

Si instala el artefacto en la pared, hágalo de modo tal que los dispositivos de control no puedan ser tocados por una persona que esté en la bañera o en la ducha.



#### PRECAUCIÓN:

-Solamente amure el artefacto a una pared vertical que resista temperaturas de al menos 85 °C / 185 °F.

-Respete las holguras mínimas respecto de las superficies de objetos adyacentes (por holguras mínimas ver el capítulo de especificaciones).

-Nunca instale el artefacto justo debajo de un tomacorriente.

-Asegúrese que el cable de alimentación no esté en contacto con componente alguno del artefacto.

#### 8.2 Instrucciones, estándares y normativa



Respete todas las normas e instrucciones nacionales y regionales aplicables.



Respete la Normativa de Construcción de Edificios y Garajes (o normativa local que corresponda).

## 9. Descripción del artefacto

### 9.1 Entrega estándar

Soporte para montaje en pared (enganchado en el artefacto)

## 10. Instalación

### 10.1 Instalación del soporte para montaje en pared

El soporte puede usarse también como una plantilla para montar el artefacto en la pared; esto asegura la distancia requerida al piso.

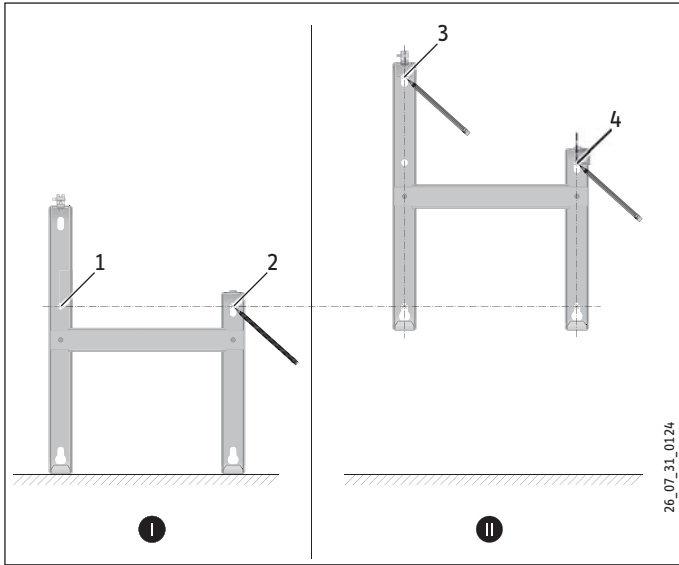
» Desenganche el soporte para montaje en pared.

» Apoye el nivel del soporte para montaje en pared centrado sobre el piso y marque los orificios 1 y 2.

» Levante el soporte de modo tal que los orificios inferiores se superpongan a las marcas que acaba de hacer en la pared donde se va a realizar la instalación.

» Marque los orificios 3 y 4 en la pared de instalación.

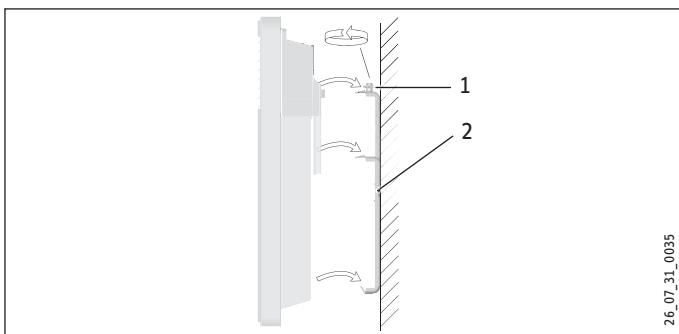
# INSTALACIÓN



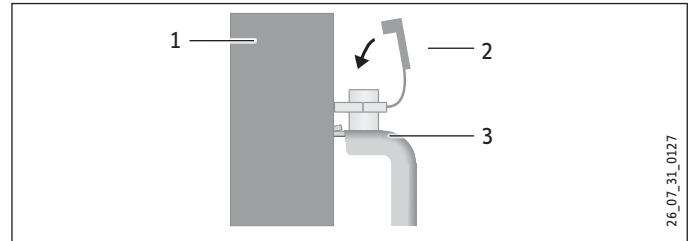
» Perfore la pared en los cuatro puntos marcados utilizando un taladro. Asegure el soporte con implementos adecuados (tornillos, tacos) dependiendo del tipo de pared. Las ranuras verticales le permiten compensar desplazamientos en los orificios de sujeción.

## 10.2 Instalación del artefacto

- » Enganche el artefacto por medio de las ranuras ubicadas en la parte trasera a las cuatro lengüetas del soporte en forma simultánea.
- » Empuje el artefacto para trabarlo en posición.
- » Gire completamente el perno de bloqueo del soporte en la dirección de las agujas del reloj; esto traba el artefacto en su lugar.
- » Presione la tapa de seguridad sobre el perno de bloqueo para impedir que se afloje.



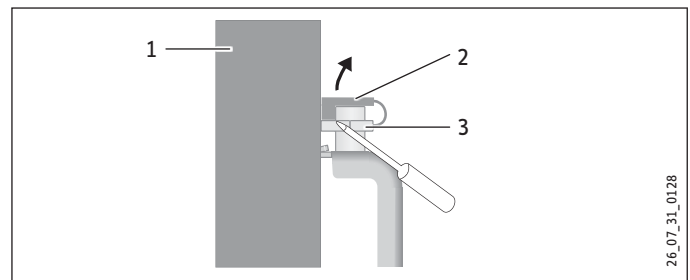
- 1 Perno de bloqueo
- 2 Soporte para montaje en pared



- 1 Artefacto
- 2 Tapa de seguridad
- 3 Perno de bloqueo

## 10.3 Desmontaje del artefacto

- » Retire la tapa de seguridad del perno de bloqueo.



- 1 Artefacto
- 2 Tapa de seguridad
- 3 Perno de bloqueo

- » Destrahe el perno de bloqueo del soporte para montaje en pared.
- » Levante el artefacto ligeramente y tírelo hacia adelante, alejándolo del soporte.

## 10.4 Suministro de energía

Este electrodoméstico no incluye el cable eléctrico. El cable debe conectarse a la unidad desde un interruptor de circuito del tamaño adecuado.

Asegúrese de que el cable de alimentación sea también del calibre adecuado

## 10.5 Bloque de terminales

Consulte el siguiente diagrama para ver el nivel recomendado de torsión en los tornillos del bloque de terminales.

Diámetro del cable (mm)	Torsión (N•cm)	Torsión (Lbf•in)
M3.5	60-80	5.31-7.08

Usar las especificaciones de torsión adecuadas para fijar el cable al bloque de cableado ayuda a evitar pérdidas personales o daños a la propiedad.



### PELIGRO: Electrocción

Llevar a cabo todas las conexiones eléctricas e instalación de acuerdo con todos los códigos de construcción nacionales, estatales y locales.



### PELIGRO: Electrocción

Cada calentador debe ser conectado directamente al panel de interruptores de circuito usando el interruptor y calibre del cable adecuados.

# INSTALACIÓN

## TRASPASO DEL ARTEFACTO



**PELIGRO: Electrocutación**  
No enchufe el calentador en un enchufe de la pared.



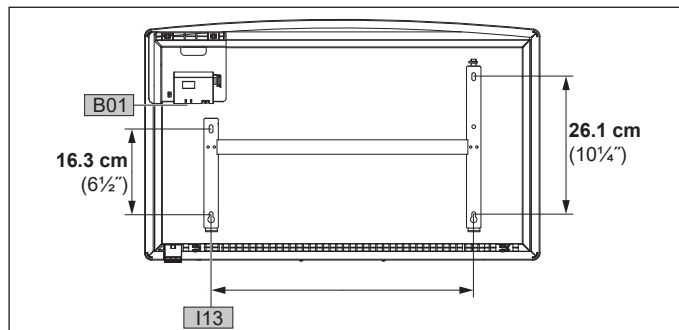
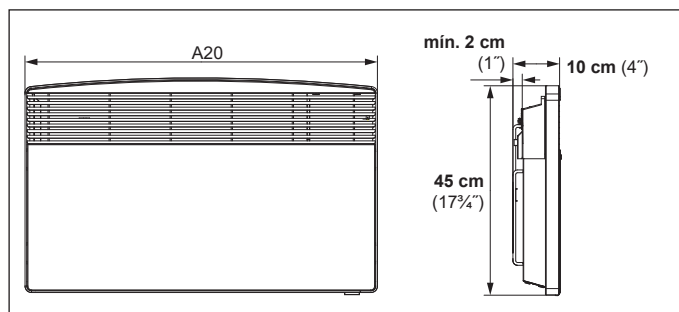
El voltaje especificado en la placa de identificación debe coincidir con el voltaje en el panel de interruptores.

### 11. Traspaso del artefacto

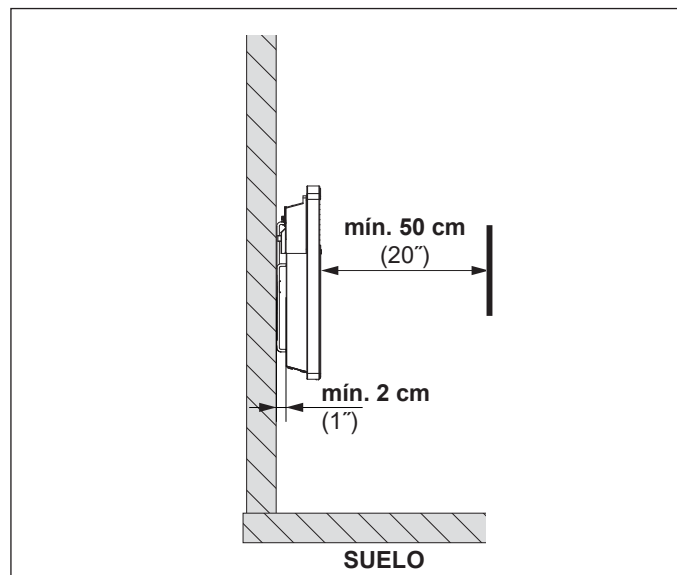
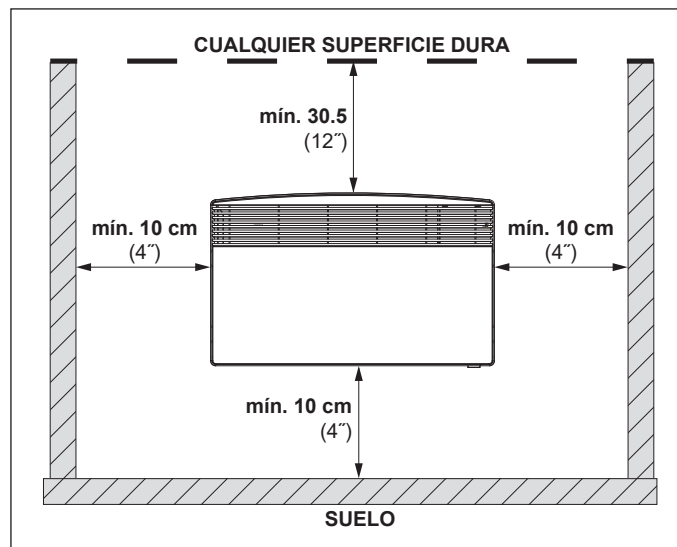
Explique las funciones del artefacto al usuario. Haga especial hincapié en la información de seguridad. Entregue las instrucciones de operación e instalación al usuario.

### 12. Especificaciones

#### 12.1 Dimensiones de la versión de pared



#### 12.2 Distancias mínimas



» La imagen de arriba muestra las distancias mínimas permitidas entre el aparato instalado y cualquier superficies dura.

			CNS 100-1,-2 E	CNS 150-1,-2 E	CNS 200-2 E	CNS 240-2 E
A20	Artefacto	Ancho	44.5 cm / 17 1/2"	59.0 cm / 23 1/4"	74.0 cm / 29 1/8"	89.0 cm / 35 1/16"
B01	Entrada del cable de corriente					
i13	Soporte para el montaje en pared	Distancia entre orificios	19.5 cm / 7 3/4"	34.3 cm / 13 1/2"	49.1 cm / 19 1/4"	63.9 cm / 25 1/4"

ESPAÑOL



# INSTALACIÓN

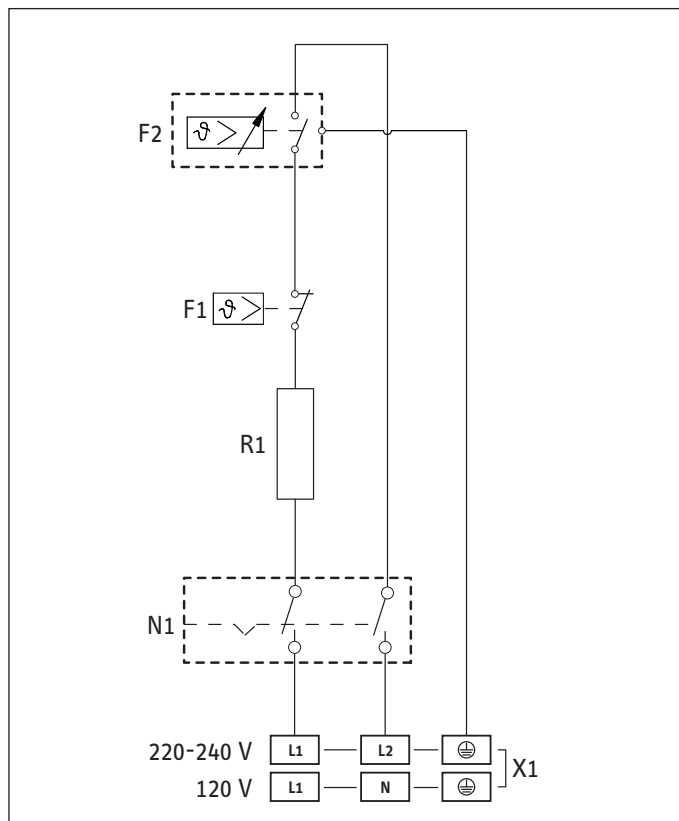
## ESPECIFICACIONES

### 12.3 Tabla de especificaciones

Modelo	CNS 100-1 E	CNS 100-2 E	CNS 150-1 E	CNS 150-2 E	CNS 200-2 E	CNS 240-2 E
# Catálogo	233586	231543	233587	231544	231545	231546
Voltaje	120 V	240 V 208 V	120 V	240 V 208 V	240 V 208 V	240 V 208 V
Potencia	1.0 kW	1.0 kW 0.75 kW	1.5 kW	1.5 kW 1.13 kW	2.0 kW 1.5 kW	2.4 kW 1.8 kW
Amperaje	8.3 A	4.2 A 3.6 A	12.5 A	6.3 A 5.4 A	8.3 A 7.2 A	10.0 A 8.7 A
Interruptor auto. # requerido <sup>1</sup>	15 A					
Calibre de alambre	14 AWG					
Rango de temperatura	7-30 °C / 45-86 °F					
Ajuste de protección anticongelante	7 °C / 45 °F					
Altura	45.0 cm / 17 <sup>3</sup> / <sub>4</sub> "					
Ancho	44.5 cm / 17 <sup>1</sup> / <sub>2</sub> "	44.5 cm / 17 <sup>1</sup> / <sub>2</sub> "	59.0 cm / 23 <sup>3</sup> / <sub>4</sub> "	59.0 cm / 23 <sup>3</sup> / <sub>4</sub> "	74.0 cm / 29 <sup>1</sup> / <sub>8</sub> "	89.0 cm / 35 <sup>1</sup> / <sub>16</sub> "
Profundidad	10.0cm / 3 <sup>5</sup> / <sub>16</sub> "					
Peso	4.4 kg / 9.7 lb	4.4 kg / 9.7 lb	5.7 kg / 12.6 lb	5.7 kg / 12.6 lb	6.8 kg / 15.0 lb	8.1 kg / 17.9 lb
Color	Blanco alpin					

<sup>1</sup> Esta es nuestra recomendación por sobre la protección actual de tamaño al 100% de la carga. Compruebe normativa local si es necesario.

### 12.4 Plano eléctrico



Label	Description
F1	Protección sobrecalentamiento
F2	Regulador de temperatura
N1	Interruptor de encendido/apagado
R1	Resistencia calefactora
X1	Bloque de terminales



## 13. Garantía

Sujeto a los términos y condiciones expresados en esta garantía limitada, Stiebel Eltron, Inc. (el "Fabricante") por la presente asegura al comprador original (el "Propietario") que cada calentador eléctrico de ambiente (el "Calentador") estará libre de defectos en los materiales del Fabricante o la mano de obra durante un período de tres (3) años a partir de la fecha de compra. Como única y exclusiva solución para el Propietario por incumplimiento de la presente garantía, el Fabricante, a discreción del Fabricante, enviará repuestos para reparación local, recuperará la unidad para su reparación en fábrica o reemplazará el Calentador defectuoso con una unidad de reemplazo que tenga características de funcionamiento comparables. La máxima responsabilidad del Fabricante en cualquier circunstancia se limitará al precio de compra del Calentador que pagó el Propietario.

Esta garantía limitada será la única garantía que ofrece el Fabricante y reemplaza a todas las demás garantías, expresas o implícitas, escritas u orales, incluidas pero no limitadas las garantías de comerciabilidad y aptitud para determinado fin. El Fabricante no será responsable de daños incidentales, consecuentes o contingentes o gastos que surjan directa o indirectamente de cualquier defecto del Calentador o el uso de este. El Fabricante no será responsable de cualquier daño a la propiedad del Propietario que surja directa o indirectamente de cualquier defecto del Calentador o el uso de este. Solo el Fabricante está autorizado a ofrecer todas las garantías de parte del Fabricante y ninguna afirmación, garantía o promesa realizada por cualquier otra parte será vinculante para el Fabricante.

El Fabricante no será responsable por daños de ningún tipo relacionados u ocasionados por:

1. cualquier uso indebido o falta de cuidado del Calentador, cualquier accidente que afecte al Calentador, cualquier alteración del Calentador o cualquier otro uso incorrecto;
2. casos fortuitos o circunstancias sobre las cuales el Fabricante no tiene control;

3. instalación del del Calentador que se desvíe de las directivas del Fabricante y no observe los códigos de construcción pertinentes;
4. falta de mantenimiento del Calentador o funcionamiento del Calentador que no sea conforme a las especificaciones del Fabricante;
5. instalación defectuosa y/o uso de materiales inapropiados por parte de cualquier instalador y que no se relacionen con defectos en los repuestos o la mano de obra del Fabricante;
6. cambio del Calentador de su lugar original de instalación;
7. funcionamiento en un voltaje o corriente inapropiada;
8. desarmado, reparación o alteración por cualquier persona que no sea el Fabricante.

Si el Propietario desea devolver el Calentador al Fabricante para su reparación o reemplazo bajo los términos de esta garantía, el Propietario debe obtener primero la autorización por escrito del Fabricante. El Propietario deberá presentar una prueba de compra que incluya la fecha de compra, y será responsable de todos los costos de desinstalación y transporte. Si el Propietario no puede demostrar la fecha de compra, esta garantía se limitará al período que corre a partir de la fecha de fabricación impresa en el Calentador. El Fabricante se reserva el derecho de negar la cobertura de esta garantía después de examinar el Calentador. Esta garantía se limita al Propietario y no puede transferirse.

Algunos estados y provincias no permiten la exclusión o limitación de ciertas garantías. En tales casos, las limitaciones aquí expresadas pueden no aplicarse al Propietario. En tales casos, esta garantía se limitará al período más corto y a los importes por daños más cortos permitidos por ley. Esta garantía le otorga derechos legales específicos y puede que usted tenga otros derechos, que varían de estado y de provincia a provincia.

El Propietario será responsable de todos los costos de mano de obra y otros cargos incurridos al retirar o reparar el Calentador en su domicilio.



**La instalación, conexión eléctrica y primera operación de este artefacto debe ser realizada por un instalador calificado.**



**La compañía no acepta responsabilidad alguna por la falla de cualquier artículo suministrado que no haya sido instalado y operado de acuerdo con las instrucciones del fabricante.**

## Medioambiente y reciclaje

Por favor ayúdenos a proteger el medioambiente eliminando el embalaje en concordancia con la normativa nacional para el tratamiento de residuos.

Esta Garantía solo es válida en Estados Unidos y Canadá. Las garantías pueden variar de un país a otro. Consulte a su representante de Stiebel Eltron local para conocer la Garantía correspondiente a su país.

## UTILISATION

<b>1. DIRECTIVES IMPORTANTES</b>	<b>18</b>
1.1 Généralités à propos de ce document	18
1.2 Légende des symboles	18
<b>2. Sécurité</b>	<b>19</b>
2.1 Usage prévu	19
2.2 Renseignements relatifs à la sécurité	19
2.3 Désignation ETL / UL	19
2.4 Étiquette signalétique	19
<b>3. Inscrivez votre produit</b>	<b>20</b>
<b>4. Description de l'appareil</b>	<b>20</b>
<b>5. Mode d'emploi du CNS E</b>	<b>20</b>
5.1 Description de l'interface utilisateur	20
5.2 Protection contre le gel	20
5.3 Restrictions pour le contrôle des températures	20
5.4 Désactivation	21
<b>6. Nettoyage, soin et entretien</b>	<b>21</b>
<b>7. Que faire si...</b>	<b>21</b>

## INSTALLATION

<b>8. Sécurité</b>	<b>21</b>
8.1 Généralités relatives à la sécurité	21
8.2 Directives, normes et règlements	21
<b>9. Description de l'appareil</b>	<b>21</b>
9.1 Livraison normale	21
<b>10. Installation</b>	<b>21</b>
10.1 Installation du support mural	21
10.2 Installation de l'appareil	22
10.3 Démontage de l'appareil	22
10.4 Configuration électrique	22
10.5 Bloc de câblage	22
<b>11. Transfert de l'appareil</b>	<b>23</b>
<b>12. Spécification</b>	<b>23</b>
12.1 Dimensions de la version murale	23
12.2 Distances minimales	23
12.3 Tableau des spécifications	24
12.4 Schéma de câblage	24
<b>13. Garantie</b>	<b>25</b>

## UTILISATION

### 1. DIRECTIVES IMPORTANTES

#### GARDER CES DIRECTIVES POUR RÉFÉRENCE ULTÉRIEURE.

Pour réduire le risque d'incendie, de choc électrique ou de blessures, respectez les directives suivantes lorsque vous utilisez des appareils électriques :

1. Lire toutes les instructions avant d'installer ou d'utiliser cet appareil de chauffage.
2. Cet appareil est chaud lorsqu'il est en marche. Pour éviter de vous brûler, ne touchez pas les surfaces chaudes avec la peau nue. Gardez les matériaux combustibles, comme les meubles, les coussins, la literie, le papier, les vêtements, etc. et les rideaux à au moins 1 m (3 pi) de distance du devant de l'appareil de chauffage et au moins à 1 m (3 pi) de distance latéralement et à l'arrière.

3. Prenez de grandes précaution lorsque tout appareil de chauffage doit être utilisé en présence ou par des enfants ou des personnes invalides, ainsi que chaque fois qu'il est laissé en marche sans surveillance.

4. Ne faites pas fonctionner tout appareil de chauffage qui aurait mal fonctionné préalablement. Débranchez le cordon électrique à la prise et faites examiner l'appareil par un électricien de bonne réputation avant de le réutiliser.

#### 1.1 Généralités à propos de ce document

Le chapitre Mode d'emploi est à l'attention des utilisateurs et des entrepreneurs en systèmes de chauffage.

Le chapitre Installation est à l'attention des entrepreneurs en systèmes de chauffage.

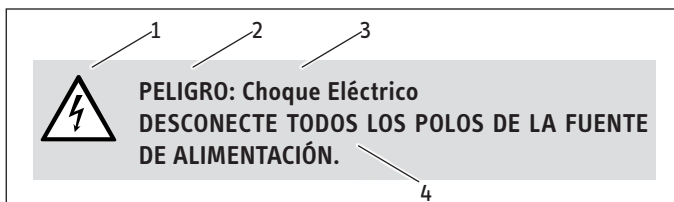


Lisez attentivement ces directives avant d'utiliser l'appareil puis mettez-les de côté pour référence ultérieure. Transférez ce document à toute personne qui utilisera l'appareil.

#### 1.2 Légende des symboles

##### 1.2.1 Présentation des renseignements relatifs à la sécurité

Les renseignements relatifs à la sécurité consistent en un symbole d'avertissement, un mot-clé et un paragraphe explicatif. Les renseignements relatifs à la sécurité sont imprimés sur fond gris. Exemple :



- 1 Symbole (voir le chapitre sur les symboles d'avertissement/symboles)
- 2 Mot-clé (voir le chapitre sur les mots-clés)
- 3 Description (voir le chapitre sur les symboles d'avertissement/symboles)
- 4 Explications

### 1.2.2 Symboles d'avertissement/symboles

Symbole d'avertissement	Description
	Blessure
	Électrocution
	Brûlures ou échaudures
	Autres situations
	Incendie
	Ne recouvrez jamais cet appareil
	Mise au rebut de l'appareil

### 1.2.3 Symboles et présentation du texte dans ce document



Lisez attentivement le texte à côté de ce symbole.

» Ce symbole « » indique qu'il vous faut agir. Les mesures à prendre sont décrites de manière très détaillée.

– Les passages avec ce symbole « - » vous indiquent des listes.

### 1.2.4 Renseignements relatifs à l'appareil



Ne recouvrez jamais cet appareil

### 1.2.5 Unités de mesure



Les dimensions dans ce document sont données en mm / po. Toute autre unité de mesure sera spécifiée le cas échéant.

## 2. Sécurité

### 2.1 Usage prévu

Cet appareil est conçu pour chauffer des pièces habitées.

Tout autre usage au-delà de l'usage décrit sera jugé inapproprié. L'usage correct comprend également le respect de ces directives. Toute modification ou conversion de l'appareil annulera tous les droits dans le cadre de la garantie.

### 2.2 Renseignements relatifs à la sécurité

N'utilisez l'appareil que lorsqu'il est entièrement installé avec tout l'équipement de sécurité conforme.

Le chauffe-eau doit être installé correctement avant d'être utilisée.



**DANGER: Électrocution**  
Coupez l'alimentation électrique de l'appareil au disjoncteur avant de le nettoyer et attendez que l'élément chauffant soit refroidi.



**AVERTISSEMENT: Incendie**  
N'utilisez jamais cet appareil...  
...dans des pièces où l'appareil pourrait s'enflammer ou exploser du fait du contact avec des produits chimiques, de la poussière, des gaz ou des vapeurs.  
...à proximité directe de conduites ou de conteneurs transportant ou contenant des produits inflammables ou explosifs.  
...si l'on exécute des travaux de pose de câbles, de fraisage ou de pose de mastic d'étanchéité dans la pièce d'installation.  
...si l'on utilise des vaporisateurs, de l'encaustique ou des produits du même genre contenant du napsan. Aérez suffisamment la pièce avant de mettre l'appareil en marche.  
...si les distances minimales par rapport aux surfaces des objets adjacents ne sont pas respectées, par exemple des meubles, des voilages, des rideaux, des tissus ou d'autres matériaux inflammables (voir „13.2 Distances minimales“ à la page 23).  
...si une pièce de l'appareil est endommagée, s'il est tombé ou s'il présente déjà un vice.



**AVERTISSEMENT: Blessure**  
Lorsque des enfants ou des personnes aux capacités physiques, sensorielles ou mentales limitées sont autorisés à utiliser cet appareil, veillez à ce qu'ils soient sous la surveillance d'une personne responsable de leur sécurité ou qu'on leur ait expliqué le fonctionnement de manière approprié. Veillez à surveiller les enfants pour vous assurer qu'ils ne jouent pas avec cet appareil.



**AVERTISSEMENT: Incendie**  
Ne mettez jamais d'objets ni de matériaux inflammables, combustibles ou d'isolation, comme des vêtements qui viennent d'être lavés, des couvertures, des magazines, des contenants d'encaustique ou de napsan, des canettes de vaporisateur, ou tout autre objet du même genre sur l'appareil ou à proximité directe de celui-ci.



**AVERTISSEMENT: Brûlures**  
Les surfaces du boîtier de l'appareil et l'air soufflé deviennent chauds pendant qu'il est en marche (plus de 80 °C / 176 °F).



**ATTENTION: Surchauffage**  
Ne recouvrez jamais cet appareil.



Ne marchez jamais sur l'appareil.

### 2.3 Désignation ETL / UL

Conforme à la norme ANSI/UL Std. 2021

Certifié à la norme CAN/CSA Std. 22.2 No. 46

### 2.4 Étiquette signalétique

La plaque signalétique se situe à droite, à l'extérieur de l'appareil.

### 3. Inscrivez votre produit



**Vous devez inscrire votre produit dans les 90 jours qui suivent la date d'achat sur notre site internet pour activer la garantie normale ou pour pouvoir réclamer la garantie prolongée, Rendez-vous à notre site internet à l'adresse suivante : [www.stiebel-eltron-usa.com](http://www.stiebel-eltron-usa.com) et cliquez sur « Register Your Product » (inscrivez votre produit).**

Avant de lancer le processus d'inscription, nous vous conseillons d'avoir à portée de main la documentation nécessaire, à savoir :

**Type, Exemple :** CNS 100-2 E (sur l'étiquette noire qui se trouve sur la droite de l'appareil)

**Numéro apparaissant après « Nr. » (N°)**

**Lieu d'achat**

**Date d'achat**

**Prénom et nom de famille**

**Adresse courriel**

**Adresse courriel**

**Numéro de téléphone**

**EN CAS DE QUESTIONS À PROPOS DU PROCESSUS D'INSCRIPTION OU DES OPTIONS POUR LA GARANTIE, VEUILLEZ CONTACTER STIEBEL ELTRON USA DIRECTEMENT EN COMPOSANT LE (800)-582-8423.**

### 4. Description de l'appareil

L'appareil est un appareil de chauffage direct, électrique, pouvant uniquement être installé sur un mur.

L'appareil peut servir de chauffage unique pour les salles de bain, par exemple, ou comme chauffage d'appoint hors saison ou pour les pièces plus petites comme un atelier de bricolage ou des chambres d'amis.

L'air dans l'appareil est chauffé par un élément chauffant et soufflé par le biais de la convection naturelle par la grille de sortie d'air qui se trouve en haut. L'air ambiant entre par les ouvertures en bas de l'appareil.

Après avoir fixé l'appareil au mur et après avoir fait les branchements électriques à l'aide d'une prise permanente, l'appareil est prêt à l'emploi.

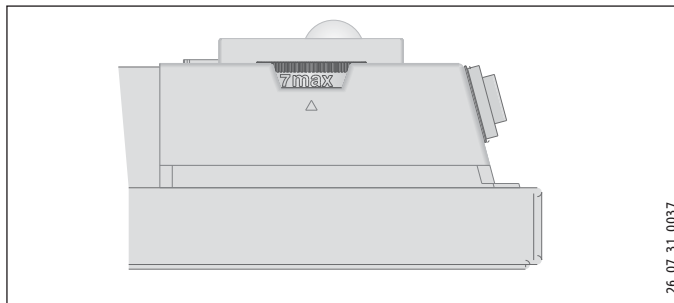
### 5. Mode d'emploi du CNS E

Le CNS E est un appareil de chauffage de convection avec un thermostat, et un interrupteur marche / arrêt.

#### 5.1 Description de l'interface utilisateur

» Mettez l'appareil en marche en appuyant sur l'interrupteur ON (marche) à droite de l'appareil.

» Programmez la température ambiante voulue par le biais du sélecteur de température réglable en continu (pour les températures, cf. le chapitre sur les spécifications).



26\_07\_31\_0037

Dès que la température ambiante est atteinte, elle est maintenue constante par le biais de chauffage intermittent (la température sortant de l'appareil doit correspondre au moins à la température désirée pour la pièce).

Si plusieurs appareils de chauffage sont installés dans une même pièce, le réglage du sélecteur de température de chaque appareil peut être différent.

Pour éviter un surcroît de consommation d'énergie, lorsque les fenêtres sont ouvertes, vous devriez éteindre l'appareil lorsque vous aérez la pièce.

#### 5.2 Protection contre le gel

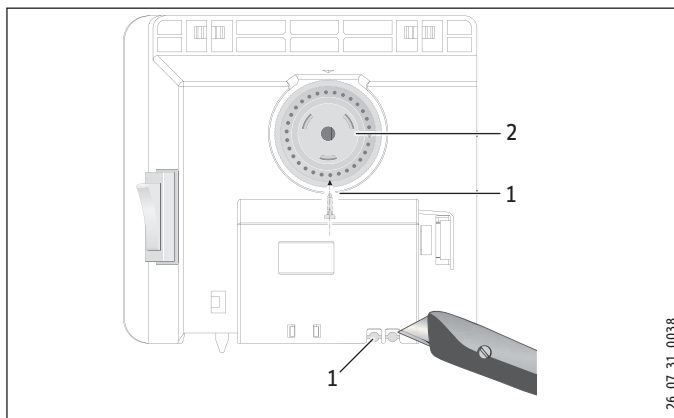
Tournez le sélecteur de température à fond vers la droite. À cette position, la commande de température active l'élément chauffant automatiquement si la température ambiante passe au-dessous de la température de protection contre le gel (7 °C / 45 °F).

#### 5.3 Restrictions pour le contrôle des températures

À l'aide des deux goupilles encastrées à l'arrière du boîtier de commande vous pouvez fixer la commande de température à une certaine température ou limiter la plage de réglage des températures.

» Cassez les goupilles.

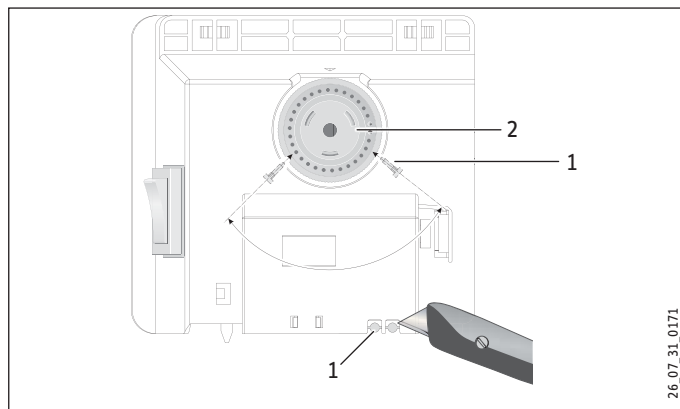
» Pour fixer la température sélectionnée, enfoncez une goupille dans le trou opposé (voir le schéma).



26\_07\_31\_0038

- 1 Goupille
- 2 Sélecteur de température

» Pour limiter la plage de réglage des températures, fixez les valeurs maximale et minimale permises dans le sélecteur de température, puis enfoncez une goupille pour chacune dans le trou opposé légèrement décalé (voir le schéma).



- 1 Goupille
- 2 Sélecteur de température

### 5.4 Désactivation

» Déplacez l'interrupteur à droite de l'appareil sur OFF (arrêt).

## 6. Nettoyage, soin et entretien



#### AVERTISSEMENT:

Avant de nettoyer, veillez à ce que l'appareil ait été désactivé au panneau du disjoncteur et que l'élément chauffant de l'appareil soit froid. Le non-respect de cette directive pourrait entraîner des brûlures, l'électrocution, des blessures graves, voire mortelles.

Si une tache brune claire apparaît sur le boîtier de l'appareil, essuyez-là dès que possible à l'aide d'un chiffon humide. Nettoyez l'appareil lorsqu'il est froid avec des produits nettoyants ordinaires. Évitez les produits nettoyants abrasifs ou corrosifs.



#### ATTENTION: Incendie

Ne vaporisez jamais un produit nettoyant en aérosol dans la fente d'admission de l'air. Veillez à ce qu'aucune trace d'humidité ne pénètre dans l'appareil.

Nous vous conseillons de faire inspecter les éléments de commande dans le cadre d'un entretien de routine. Les éléments de sécurité et de commande doivent être examinés par un entrepreneur dans les premiers dix ans de mise en service.

## 7. Que faire si...

... L'appareil ne chauffe pas :

Vérifiez la température réglée à l'appareil et le boîtier du disjoncteur.

L'appareil possède une commande de température de sécurité qui désactive l'appareil en cas de surchauffe. Une fois que la cause à l'origine du problème a été éliminée (par exemple la sortie d'air ou les fentes d'admission de l'air ont été recouvertes) et que l'appareil s'est refroidi pendant quelques minutes, il se remet en marche automatiquement.

Si vous ne pouvez pas remédier au problème, contactez votre entrepreneur en chauffage. Pour faciliter et accélérer votre requête, veuillez fournir le numéro qui se trouve sur la plaque signalétique (000000-0000-000000).

# INSTALLATION

## 8. Sécurité

Seuls les entrepreneurs qualifiés peuvent exécuter l'installation, la mise en service, l'entretien et la réparation de l'appareil.

### 8.1 Généralités relatives à la sécurité

Nous garantissons que l'appareil fonctionnera sans problème et de manière fiable uniquement si les accessoires d'origine et les pièces après-vente d'origine ont été utilisés.



#### DANGER: Électrocution

Si vous fixez l'appareil au mur, faites en sorte que l'équipement de commande ne puisse pas être touché par une personne se trouvant dans la baignoire ou dans la douche.



#### ATTENTION:

-Ne fixez l'appareil mural que sur une cloison verticale résistant aux températures allant jusqu'à 85 °C / 185 °F.

-Respectez les distances minimales vis-à-vis des surfaces des objets adjacents (pour les distances minimales, cf. le chapitre sur les spécifications).

-N'installez jamais l'appareil directement sous une prise murale.

-Veillez à ce que le câble ne soit touché aucun composant de l'appareil.

### 8.2 Directives, normes et règlements



Respectez tous les règlements et directives nationaux et régionaux en vigueur.



Respectez les règlements relatifs aux bâtiments et aux garages [ou les règlements locaux] en vigueur.

## 9. Description de l'appareil

### 9.1 Livraison normale

» Support mural (qui s'accroche dans l'appareil).

## 10. Installation

### 10.1 Installation du support mural

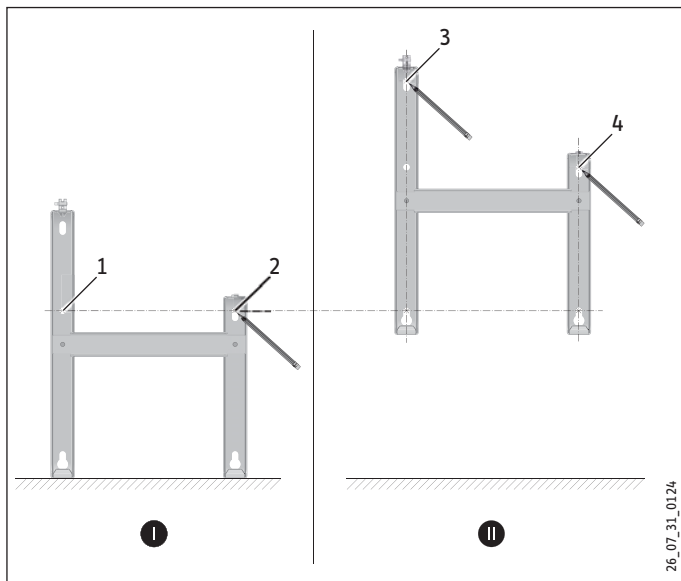
Vous pouvez également utiliser le support mural comme gabarit pour la fixation au mur; cela garantit que la distance par rapport au sol sera respectée.

» Décrochez le support mural.

» Placez le support mural centré sur le sol, à niveau, et faites les repères pour les trous 1 et 2.

» Soulevez le support mural de sorte que ses trous inférieurs soient en face des repères que vous venez de faire sur le mur.

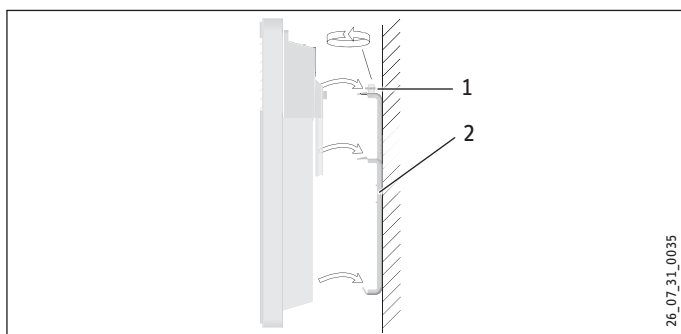
» Faites les repères pour les trous 3 et 4 sur le mur.



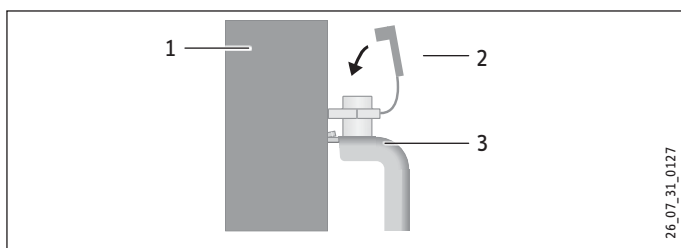
» Percez les trous pour chacun des quatre repères. Fixez le support mural à l'aide de la quincaillerie appropriée (vis, chevilles) en fonction du type de cloison. Avec les fentes verticales, vous pouvez compenser un trou de fixation légèrement décalé.

### 10.2 Installation de l'appareil

- » Accrochez l'appareil en utilisant les fentes à l'arrière de l'appareil simultanément sur les quatre languettes du support mural.
- » Appuyez sur l'appareil pour l'enclencher dans la bonne position.
- » Tournez à fond dans le sens horaire le boulon bloquant sur le support mural; cela permet de bloquer l'appareil à la position voulue.
- » Appuyez le capuchon de sécurité sur le boulon bloquant pour éviter qu'il ne se desserre.



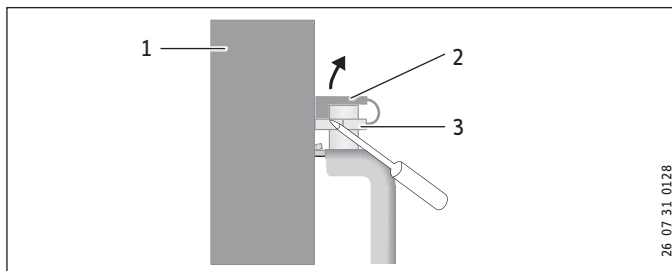
- 1 Boulon bloquant
- 2 Support mural



- 1 Appareil
- 2 Capuchon de sécurité
- 3 Boulon bloquant

### 10.3 Démontage de l'appareil

» Retirez le capuchon de sécurité du boulon bloquant.



- 1 Appareil
- 2 Capuchon de sécurité
- 3 Boulon bloquant

» Dévissez le boulon bloquant sur le support mural.  
 » Soulevez légèrement l'appareil et tirez-le vers l'avant pour le décrocher du support mural.

### 10.4 Configuration électrique

Cet appareil ne vient pas avec un câble électrique.

Le câble doit être acheminé vers l'unité à partir d'un disjoncteur de taille appropriée.

### 10.5 Bloc de câblage

Consultez le tableau ci-dessous pour connaître la pression de serrage recommandée pour les vis de la plaque à bornes.

Diamètre de vis (mm)	Torque (N•cm)	Torque (Lbf•in)
M3.5	60-80	5.31-7.08

Utiliser la pression de serrage appropriée pour fixer les fils au bloc de câblage contribue à prévenir la perte de biens personnels et les dommages à la propriété.



#### DANGER: Électrocution!

Il est important de réaliser tous les raccordements et installations électriques en respectant tous les codes de bâtiments nationaux, provinciaux et locaux.



#### DANGER: Électrocution!

Chaque appareil de chauffage doit être connecté directement au panneau électrique avec le disjoncteur de la taille recommandée avec le bon calibre de filage.



#### DANGER: Électrocution!

Ne branchez pas l'appareil de chauffage dans une prise murale.



La tension spécifiée sur la plaque signalétique doit correspondre à la tension sur le panneau de disjoncteur.



# INSTALLATION

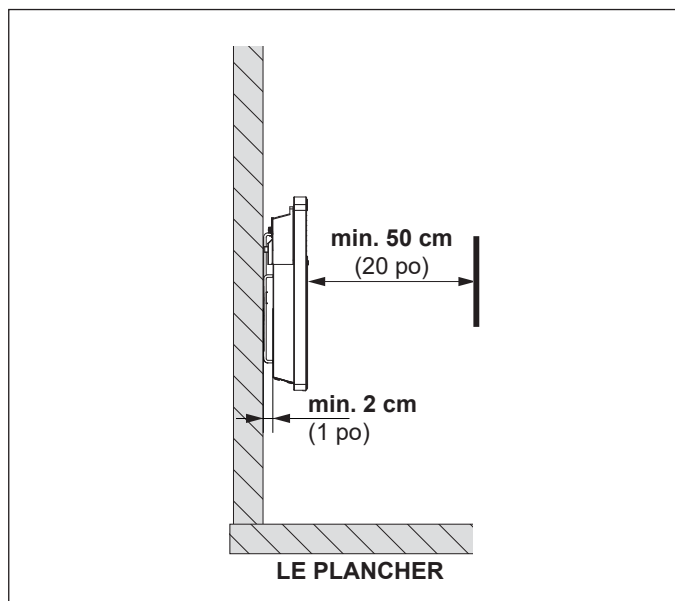
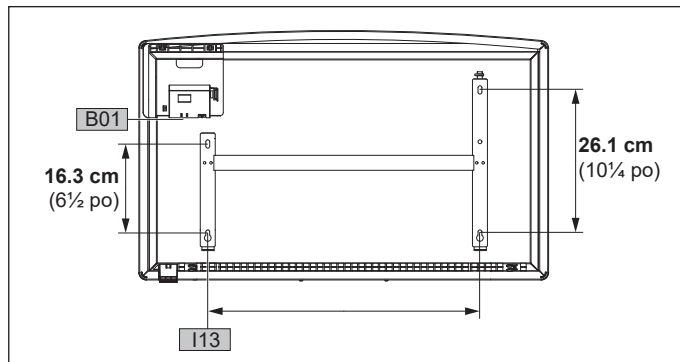
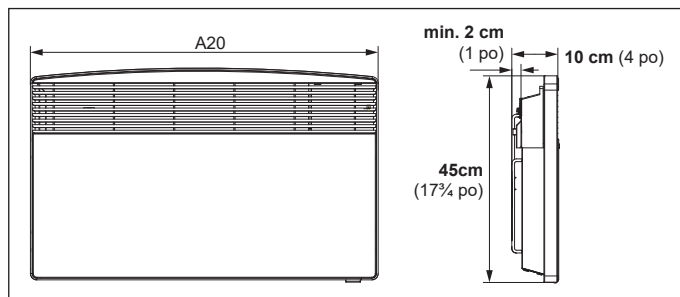
## TRANSFERT DE L'APPAREIL

### 11. Transfert de l'appareil

Expliquez les fonctions de l'appareil à la personne qui va l'utiliser. Attirez en particulier l'attention de votre interlocuteur sur les renseignements relatifs à la sécurité. Remettez le mode d'emploi et les directives d'installation à la personne qui va l'utiliser.

### 12. Spécification

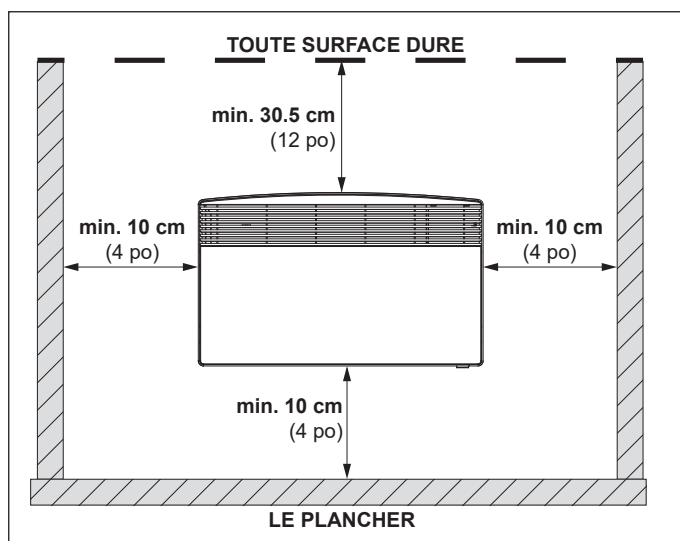
#### 12.1 Dimensions de la version murale



» L'image ci-dessus montre la distance minimale à respecter entre le convecteur et toute surface dure.

		CNS 100-1,-2 E	CNS 150-1,-2 E	CNS 200-2 E	CNS 240-2 E	
A20	Appareil	Largeur	44.5 cm / 17 1/2 po	59.0 cm / 23 3/4 po	74.0 cm / 29 1/8 po	89.0 cm / 35 1/8 po
B01	Admission du câble électrique					
i13	Support mural	Espacement des trous	19.5 cm / 7 3/4 po	34.3 cm / 13 1/2 po	49.1 cm / 19 3/4 po	63.9 cm / 25 1/4 po

#### 12.2 Distances minimales

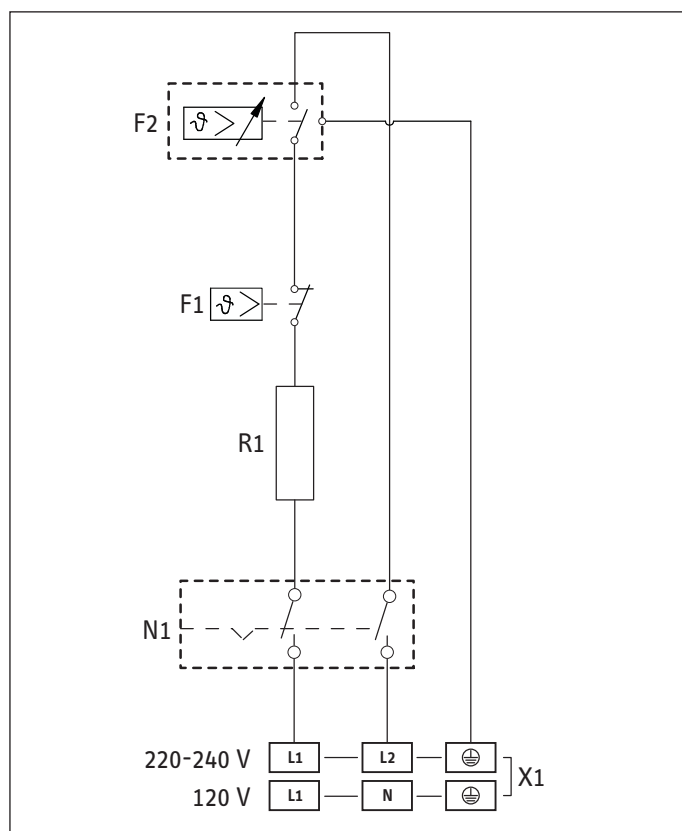


## 12.3 Tableau des spécifications

Modèle	CNS 100-1 E	CNS 100-2 E	CNS 150-1 E	CNS 150-2 E	CNS 200-2 E	CNS 240-2 E
N° de catalogue	233586	231543	233587	231544	231545	231546
Tension	120	240 V 208 V	120	240 V 208 V	240 V 208 V	240 V 208 V
Puissance	1.0 kW	1.0 kW 0.75 kW	1.5 kW	1.5 kW 1.13 kW	2.0 kW 1.5 kW	2.4 kW 1.8 kW
Ampérage	8.3 A	4.2 A 3.6 A	12.5 A	6.3 A 5.4 A	8.3 A 7.2 A	10.0 A 8.7 A
Taille requise disjoncteur <sup>1</sup>	15 A					
Taille de câble requise	14 AWG					
Plage des températures	7-30 °C / 45-86 °F					
Réglage pour la protection contre le gel	7 °C / 45 °F					
Hauteur	45.0 cm / 17 <sup>3</sup> / <sub>8</sub> po					
Largeur	44.5 cm / 17 <sup>1</sup> / <sub>2</sub> po	44.5 cm / 17 <sup>1</sup> / <sub>2</sub> po	59.0 cm / 23 <sup>3</sup> / <sub>4</sub> po	59.0 cm / 23 <sup>3</sup> / <sub>4</sub> po	74.0 cm / 29 <sup>1</sup> / <sub>8</sub> po	89.0 cm / 35 <sup>1</sup> / <sub>8</sub> po
Profondeur	10.0cm / 3 <sup>13</sup> / <sub>16</sub> po					
Poids	4.4 kg / 9.7 lb	4.4 kg / 9.7 lb	5.7 kg / 12.6 lb	5.7 kg / 12.6 lb	6.8 kg / 15.0 lb	8.1 kg / 17.9 lb
Couleur	Blanc alpin					

<sup>1</sup> Ceci est notre recommandation pour la protection de surintensité à 100% de la charge. Vérifiez les codes locaux de la conformité si nécessaire.

## 12.4 Schéma de câblage



Label	Description
F1	Protection contre la surchauffe
F2	Thermostat
N1	Interrupteur Marche/Arrêt
R1	Résistance électrique
X1	Bloc de jonction



## 13. Garantie

Sous réserve des conditions incluses dans cette garantie limitée, Stiebel Eltron Inc. (le « Fabricant ») garantit par la présente le convecteur électrique (le « Convecteur ») au premier propriétaire (le « Propriétaire ») contre tout défaut de matériaux et de fabrication pour une période de trois (3) ans à partir de la date d'achat. Comme seule et unique compensation pour violation de la garantie susmentionnée, le Fabricant doit, à sa discrétion, envoyer des pièces de remplacement pour une réparation sur place, récupérer l'appareil pour une réparation en usine ou remplacer le Convecteur défectueux par un autre appareil aux caractéristiques comparables. En toutes circonstances, la responsabilité maximale du Fabricant est limitée au prix d'achat du Convecteur par le Propriétaire.

Cette garantie limitée est la seule garantie offerte par le Fabricant et remplace toutes les autres garanties, expresses ou implicites, écrites ou orales, y compris, sans s'y limiter, les garanties de qualité marchande et de bon fonctionnement pour un usage particulier. Le Fabricant ne sera pas tenu responsable des dommages accessoires, indirects ou éventuels ni des frais occasionnés directement ou indirectement par un défaut du Convecteur ou son utilisation. Le Fabricant ne sera pas tenu responsable des dommages causés aux biens du Propriétaire occasionnés, directement ou indirectement, par un défaut du Convecteur ou son utilisation. Seul le Fabricant est autorisé à fournir toute garantie en son nom et aucune déclaration ou garantie faite par une tierce partie n'engage le Fabricant.

Le Fabricant ne sera pas tenu responsable des dommages, quels qu'ils soient, liés aux événements suivants ou causés par eux :

1. toute utilisation mauvaise ou négligente du Convecteur, tout accident survenant à l'appareil, toute modification y étant apportée ou tout autre usage impropre de celui-ci;
2. tout cas de force majeure et toutes circonstances sur lesquelles le Fabricant n'a aucun pouvoir;
3. toute installation du Convecteur faite de manière autre que celle recommandée par le Fabricant et non conforme aux codes du bâtiment en vigueur;

4. toute absence d'entretien du Convecteur ou négligence d'utiliser celui-ci selon les instructions du Fabricant;
5. toute installation inappropriée ou tous matériaux inappropriés utilisés par un installateur qui ne sont pas liés à un défaut de matériaux ou de fabrication du Fabricant;
6. tout déplacement du Convecteur de son emplacement d'origine;
7. toute utilisation avec une tension ou un courant inapproprié;
8. tout démontage, toute réparation ou toute modification faits par une personne autre que le fabricant.

Si le propriétaire souhaite renvoyer le Convecteur au fabricant pour réparation ou remplacement en vertu de la présente garantie, le Propriétaire doit d'abord obtenir l'autorisation écrite du Fabricant. Le propriétaire sera tenu de présenter une preuve d'achat indiquant la date de l'achat et d'acquitter tous les frais de désinstallation et de transport. Si le Propriétaire ne peut présenter une preuve de la date d'achat, la garantie sera limitée à la période commençant à la date de fabrication indiquée sur le Convecteur. Le Fabricant se réserve le droit de refuser toute couverture de la garantie après inspection du Convecteur. La présente garantie ne s'applique qu'au Propriétaire et n'est pas transférable.

Les exclusions ou les restrictions de certaines garanties sont interdites dans quelques états et provinces. Dans de tels cas, les restrictions décrites dans la présente peuvent ne pas s'appliquer au Propriétaire. Le cas échéant, cette garantie sera limitée à la période la plus courte et au montant de compensation le plus bas permis par la loi. La présente garantie assure des droits particuliers au Propriétaire; d'autres droits peuvent être prévus et varient d'un état ou d'une province à l'autre.

Le Propriétaire est responsable de tous frais, y compris ceux de main-d'œuvre, entraînés par le retrait du Convecteur ou sa réparation sur place.



**L'installation, le branchement électrique et la première mise en route de cet appareil doivent être exécutés par un prestataire qualifié.**



**La société rejette toute responsabilité pour toute défaillance du produit livré qui n'aurait pas été installé et mis en route conformément aux directives du fabricant.**

## Environnement et recyclage

Veillez nous aider à protéger l'environnement en mettant les matériaux d'emballage au rebut conformément aux règlements nationaux relatifs au traitement des déchets.

Cette garantie n'est valide que pour le Canada et les États-Unis. Les garanties varient en fonction du pays. Veuillez vous adresser à votre représentant local Stiebel Eltron pour plus de détails sur la garantie s'appliquant à votre pays.

---

## NOTES

---

---

NOTES

---

STIEBEL ELTRON, Inc.  
17 West Street | West Hatfield MA 01088  
Tel. 413-247-3380 | Fax 413-247-3369  
info@stiebel-eltron-usa.com  
www.stiebel-eltron-usa.com

Subject to errors and technical changes!

**STIEBEL ELTRON**

A 296658-40474-9330