

OWNER'S MANUAL

CAMBRO® ELECTRIC HOT HOLDING ULTRA PAN CARRIER® H-SERIES ULTRA CAMCART® H-SERIES AND HEATED REPLACEMENT DOORS

This owner's manual applies to all variations of models in the following categories:

Ultra Pan Carrier® H-Series

UPCH400 / 4002

Ultra Camcart® H-Series

UPCH800 / 8002

UPCH1600 / 16002

**Heated Replacement Doors ONLY
For Replacement
Or Retrofit Non-Electric
Ultra Pan Carriers
or Ultra Camcarts**

Note: All models ending in "2" indicate 220V. All instructions in this manual refer to both 110V and 220V models.



UPCH400
UPCH4002



UPCH1600
UPCH16002



UPCH800
UPCH8002

CAMBRO
TRUSTED FOR GENERATIONS™

CAMBRO U.S.A.
5801 Skylab Road, Huntington Beach, CA 92647
P.O. Box 2000, Huntington Beach, CA 92647-2000
TEL: (714) 848 1555 FAX: (714) 843 2630

C.E.L.	NORTH IRELAND & UK	IRELAND
TEL: (31) 168 707 210	TEL: 0800 587 0057 Toll Free	TEL: 1800 509 046 Toll Free
FAX: (31) 168 707 211	FAX: 0845 280 3411	FAX: 01 633 55 76

Languages

English	1
Español.....	5
Français.....	9
Italiano.....	13
Deutsch	17
Polski.....	21
Русско.....	25
日本語.....	29
中文.....	33

I. Introduction

Congratulations on the purchase of your new Cambro Electric Hot Holding Ultra Pan Carrier or Ultra Camcart. This Owner's Manual provides you with a step-by-step guide to operating and maintaining your new insulated transporter. If you have any further questions, please contact your Cambro Sales Representative, visit www.cambro.com or call our Customer Service Department at (800) 833 3003. International customers please call (714) 848 1555.

II. Safety Instructions

IMPORTANT: Read all instructions prior to use and save for future reference.

- Follow all warnings marked on unit.
- Use only type of power supply (voltage, phase, frequency) indicated on the heater unit label.
- Do not use if power cord is frayed or damaged.
- Connect unit to properly grounded power source.
- Use only manufacturer authorized power cord and replacement parts.
- **Warning!** Do not use this equipment in wet or damp conditions.
- **Warning!** Unplug unit prior to cleaning or service.
- **Warning!** Remove power cord from heater prior to cleaning. Clean with damp cloth only.
- **Warning!** Do not submerge heater in water and never spray water on or near it.
- **Warning!** Do not get the thermometer wet in any way.
- **Warning!** Unplug the power cord before removing the heater from the door.
- **Warning!** Only Cambro Authorized Service Agent or qualified foodservice equipment technician should open the inner cover of the heater for servicing.
- During normal operation, check the heater thumbscrews for tightness at least once a week.
- Any operating problems not identified and corrected by instructions in this manual should be referred to qualified service personnel (electrician or foodservice equipment technician).



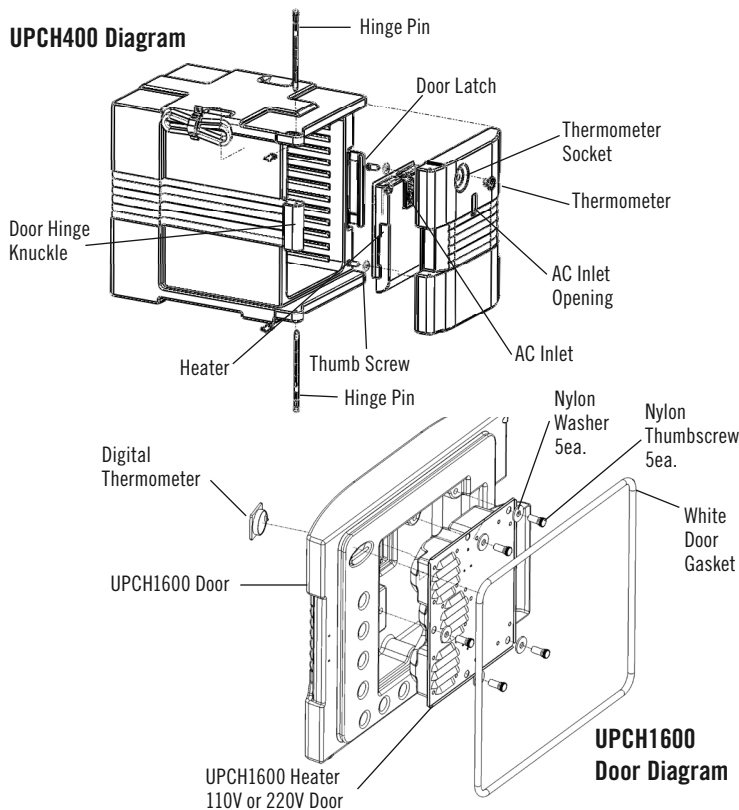
NOTE: For service please contact Cambro at (800) 854 7631 X4118. Units under warranty should be serviced by Cambro Authorized Service Agent Only.

III. Assembly and Exploded Product Views

All UPCH400, UPCH800 and UPCH1600 products are factory assembled for your convenience. No assembly is required.

NOTE: Remove packing tape, tags or documents from inside compartments before operating.

UPCH400 Diagram



Instructions for Resetting UPCH Heaters

Directions: This document covers door heaters manufactured with manually resettable hi-limit thermostats only. Door heaters with this feature will have an access hole in the cover of the heating unit and shall have a label "RESET" located near the hole.

NOTE: Normal operation of the door heater is controlled by an automatic cycling "control thermostat." Failure of the control thermostat may cause the temperature inside the Cambro product to rise to temperatures that could cause damage to the plastic. A manually resettable Hi-limit thermostat, set at 195°F (90,6°C) is built into the heater circuit. This device will effectively remove power to the heater in the heating unit and will not return it to normal operation until the temperature is lower than 185°F (85°C) and the button on the hi-limit thermostat is depressed. Other factors can cause the hi-limit thermostat to open up, such as fan failure or placing food pans with temperatures higher than 190°F (87,8°C).

CAUTION: Electrical Shock Hazard!

Before attempting to reset the hi-limit thermostat, unplug the heater power cord from the power source. Only use "non-metal" tools to depress the reset button.

Do not bypass or alter the thermostats in any way.

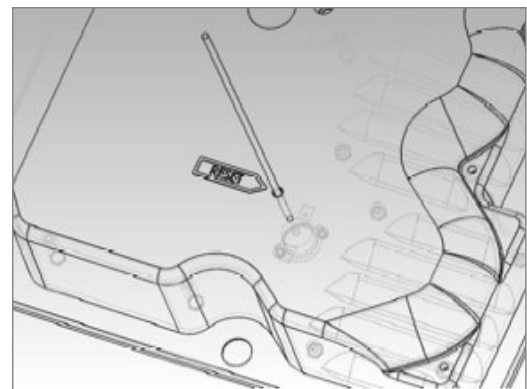
1. Remove the power cord from the wall outlet or power supply and remove the other end from the front of the heater.
2. Open the door of the Cambro product and hold the heater firmly while you remove the 5 thumb screws with washers holding the heater to the inner face of the door. This may also be done after removing the door from the Cambro product or by having another person hold the heater for you.
3. Once you have the heater on a stable surface with the metal section facing down, locate the small round hole in the cover with RESET next to the hole (the RESET word may not be on some units).
4. Using a small diameter round, non-metal item such as a rigid plastic stir stick, guide it through the hole and depress the button on the hi-limit thermostat as seen in the figure below.
5. Remove the item you used to depress the button and return the heater to the door, replace the screws with the washers and tighten.
6. Plug the cord into the door front and then to the power source. Switch on the heater (if required) and verify it is heating up to the normal temperature.

IV. Operating Instructions

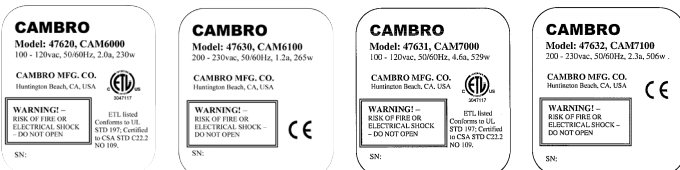
NOTE: Units are designed to hold pre-heated hot food only. NEVER use to pre-heat or re-heat food.

WARNING! Never use in wet or damp conditions. Refer to Section II for Safety Instructions and Warnings.

1. Plug into main power supply 100-120 VAC (UPCH400/800/1600 models) or 200-230VAC (UPCH4002/8002/16002 models) 50/60 HZ. Product label located on the heating unit inside each door clearly indicates power supply information (see label samples below).
2. Red light on front of heated door indicates power ON for UPCH400 and UPCH800 models – there is no power switch, unit turns on automatically when plugged into outlet. Power is activated on UPCH1600 models by flipping power switch on front of heated door and will turn red when power is ON. An amber light on the same switch indicates heater is active. This will remain on until heater reaches factory set temperature and then will turn off. NOTE – heater will switch on and off as necessary during operation to maintain factory set temperatures.
3. Pre-heat compartment(s) empty with door(s) closed for 45 minutes prior to loading hot food. When inside door thermometer reads 150°F (65°C), insert pans of hot food into the carrier or cart and latch door(s) to close tightly. NOTE: Cool metal pans or sheet pans to 250°F (121,1°C) prior to placing onto plastic rails.
4. When transporting carrier/cart filled with hot food, unplug cord(s) and store on cord strap(s) located on side of carrier or cart prior to moving. Insulated units will hold hot food hot for 4+ hours unplugged*.
5. If necessary, open pop vent located in door to release moisture/steam (UPCH400 and UPCH800 doors only). Firmly grasp and pull outward until it clicks. To close vent, push in until it clicks. UPCH1600 models have built in passive vent.



NOTE: After resetting the hi-limit thermostat, please verify that all fans are operating and that the temperature does not go above 185°F (85°C). If the fans are not operating, the hi-limit will be activated again after the heat in the heater enclosure reaches the set-point temperature. If the original cause was failure of the control thermostat to limit the temperature to 170°F (76,7°C), the hi-limit will be activated again after the heat in the heater enclosure reaches the set-point temperature. If the heater does not work after depressing the reset button, try the procedure again or if it continues to stop working after some time heating, do not bypass or alter the thermostats in any way and contact your Cambro representative.



- 2 UPCH400, UPCH800 (110V) UPCH4002, UPCH8002 (220V) UPCH1600 (110V) UPCH16002 (220V)

V. Care and Maintenance

A. Heater and Door

WARNING: Completely cool heater unit prior to cleaning or maintenance.

WARNING: Do not submerge heater in water or spray water on it.

WARNING: Unplug heater from grounded power source and from door heater prior to cleaning.

1. Carefully remove five nylon thumbscrews and washers from heater with one hand while holding heater with your other hand. CAUTION! Once you start loosening the thumbscrews, the heater may fall unless you are firmly holding it. You can also remove the door and lay face down on a flat surface to remove the heater. (Sec. VI)
2. Once heater is removed from the door, clean components and door with mild detergent, hot water and a soft cloth.
3. Rinse using soft cloth and clean hot water to remove soap and dirt.
4. Completely air dry all components or wipe with dry, clean soft cloth before re-assembling and using the heater.
5. Carefully place heater into the recessed area of the inner face of the door. Align AC inlet for power connection with rectangular hole through the door.
6. Use washers and thumbscrews to reattach heater to door. Tighten thumbscrews firmly but not excessively. Do not use pliers or tools. During normal operation, periodically check thumbscrews for tightness.
7. Inspect plug blades and cord and replace power cord if frayed or blades are missing, bent or broken.
8. If door has been removed for cleaning or maintenance, re-install following directions in Section VI.

B. Carrier/Cart Body

1. Clean with mild detergent, hot water and a soft cloth. DO NOT use detergents or cleaners containing ammonia or bleach.
2. Hand wash using a soft cloth or brush to clean all interior and exterior surfaces. DO NOT use steel wool or abrasive scrub pads or brushes.
3. Rinse product with warm or hot water to remove soap and dirt.
4. Clean gaskets by placing them into a container or sink with hot soapy water, wipe with soft cloth or brush, rinse in hot water and air dry.
5. Air dry or dry carrier/cart outside and inside with clean, dry, soft cloth.

C. Casters

Caster maintenance should be performed after every cleaning.

1. Grease swivel raceway of caster using a lubricant such as Lubriplate #930-AA, Keystone #84EPXLT multi-purpose grease or equivalent. Apply grease using a grease gun with a needle nose adapter or a tube-type applicator such as Sta-lube Moly-graph Assembly Lube (Fig.6). These can be obtained at most auto parts stores.
2. Use a light oil such as WD-40 on the hub (Fig.7). Check caster for damage and test caster spin and swivel rotation before returning to service.

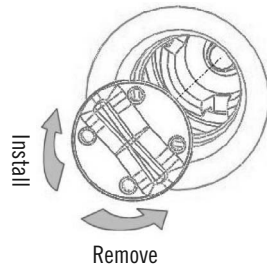


Fig. 6



Fig. 7

Pop-up Vent Diagram



D. Pop-Up Vent Cap and Anchor (UPCH400/UPCH800 Models ONLY) To remove:

1. Push vent cap down into non-venting position.
2. From the bottom or inner side of the lid or door, unscrew anchor component in a counterclockwise direction. Hold cap on the "outside" side of the door to stop it from turning.
3. Once anchor component is disconnected from the cap, pull up on the cap until it comes completely out of the vent opening.
4. Soak and/or clean in warm soapy water (mild detergent only) and allow to air dry or dry with soft clean cloth.

To install:

1. Place cap component into vent opening from top or outer surface of the lid or door, pushing it fully into the opening until it stops (in the non-venting position).
2. From the bottom or inner side of the lid or door, screw in the anchor component in a clockwise direction. You may need to hold the cap on the opposite side of door to stop it from turning. When the two components are fully connected, stop turning. **Do not over tighten.**

VI. H-Series Heated Door Kit Installation Instructions

Replace existing H-Series Heated Doors or convert existing non-electric UPC400, UPC800, UPC1600 models to electric UPCH400, UPCH800 or UPCH1600 units

Before replacing and/or installing, ensure that you have the following:

- 1 Door with Heater
 - NOTE:** These doors are designed to fit the top OR bottom cabinet and are NOT interchangeable. Be sure to confirm that you have the correct model prior to installation. The word TOP DOOR or BOTTOM DOOR is molded on the inside face of the door on the hinge knuckle. The heater model number and serial number are located on the heater label.
- 1 detachable power cord (110V or 220V, depending upon model).
- 1 cord strap and 1 each screw and finishing washer and location template. Tools required for assembly - (#2) Phillips Screwdriver for cord strap.



Fig. 1



Fig. 2



Fig. 3



Fig. 4



Fig. 5



Fig. 6a



Fig. 6b



Fig. 7a



Fig. 7b



Fig. 8a



Fig. 8b

1. Lay cabinet or carrier on back with door(s) facing up. Locate and remove hinge pin clip(s). On UPC400 single door models, one is located at the top and another is located at the bottom of the door hinge knuckles (Fig. 1). On the UPC800/UPCH800 and UPC1600/UPCH1600, a hinge pin is located at the top of the top door and one is located at the bottom of the bottom door and there is a pivot pin located at the bottom of the top door and the top of the bottom door.
2. While rotating the door back and forth, pull hinge pins out (Fig. 2). Remove pivot pins. **Warning!** Hold onto the door at all times until door comes loose and can be removed.
3. Pull door from the body (Fig. 3). This may be tight and can require some manipulation to remove.
4. Place the new door as shown into place for installation (Fig. 4), lining up hinge knuckles.
5. Place hinge pins in hinge holes first, aligning holes of body and holes of the door (Fig. 5). Adjust door position as needed for all of the pins to go in. For UPC800/UPCH800 and UPC1600/UPCH1600 models, next place the pivot pins in the hinge holes. Adjust the door position or rotate it as needed to allow the pins to go completely into place.
6. After all pins are fully seated and the groove is visible between the door and the body (Fig. 6a), snap the "U" shaped end of the hinge pin clip onto the groove of the pin. Rotate the door so you can push the "V" shaped end of the hinge clip over the molded-in rib, just behind the hinge hole towards the food storage area of the carrier/cart (Fig. 6b). Do this at the top and bottom position of the door hinge.
7. Using the location template, mark and install the cord strap on the side of the unit and fasten the cord strap with the screw and finishing washer provided (Figs. 7a and 7b).
8. Plug in the detachable cord (Fig. 8a) to the heater door and secure any extra cord in the cord strap (Fig. 8b).

VII. Troubleshooting Guide

Warning! Hazard of Electric Shock — Disconnect power supply before servicing. Any operating problems not identified and corrected by instructions in this manual should be referred to qualified service personnel (electrician or foodservice equipment technician). No user-serviceable items under the inner cover of the heater. Only qualified service personnel should ever open the inner cover of the heater.

Problem	Possible Causes	Possible Solutions
Unit is plugged in but does not heat up at all.	<ul style="list-style-type: none"> There is no power or an inadequate amount of power. Power cord is not fully connected to the power source or to the heater. Power cord is damaged. Heating unit is damaged. 	<ul style="list-style-type: none"> Check the power supplied to the unit. It should match the requirements on the heater label. Make sure both ends of the power cord are connected securely. Always replace damaged power cords with Cambro authorized power cords. Replace the heater unit.
Unit operates for more than 1 hour but does not achieve the minimum 150°F (64°C) temperature.	<ul style="list-style-type: none"> Door is not fully closed or the gasket is missing. Power cord is damaged and is causing intermittent power to the heating unit. Thermometer is damaged or not working properly. Heating unit is not working properly. 	<ul style="list-style-type: none"> Make sure the door is fully closed and the gasket is in place. Small gaps are ok and will not affect the performance. Always replace damaged power cords with Cambro authorized power cords. Check the heat inside the unit with a verified thermometer, located at center inside the unit. Check fans for obstructions. If none found, replace heating unit.
Persistent odor inside the cabinet.	<ul style="list-style-type: none"> Initial start-up of unit. Food left in the cabinet for overly-long holding periods. 	<ul style="list-style-type: none"> For first-time use, plug in and run the unit with the door open for 1 hour to air out the cabinet. Place a pan of water with some baking soda in it and turn on the heater for 1 hour. If smell is still persistent please contact Cambro Customer Service at (800) 833 3003.

VIII. Replacement Parts

Please visit www.cambro.com for a complete list of replacement parts. The model number of the Cambro cart or carrier and/or heater is required to determine the correct replacement part. The carrier or cart model number can be found on the inside of the door or molded into the bottom of the body. Each heater has a label marked with a serial number and heater model number.

TO ORDER REPLACEMENT PARTS:

- Call Cambro Customer Service at (800) 833 3003 or
- Fax your order to (714) 842 3430 or
- Call your local Cambro Representative or Distributor

IX. Cambro Warranty And Product Liability

LIMITED ORIGINAL COMMERCIAL ELECTRICAL EQUIPMENT WARRANTY

Cambro Manufacturing warrants its new product(s) to be free from defects in material and workmanship for a period of one (1) year from the date of shipment from authorized CAMBRO distribution locations.

This Warranty is subject to the following conditions and limitations:

- This warranty is limited to product(s) sold by Cambro Manufacturing to the original user in the continental United States and Canada. For International Warranty Claims contact your local Cambro Representative.
- The Liability of Cambro Manufacturing is limited to the repair or replacement of any part found to be defective. Parts and labor required for preventative maintenance or cleaning are not covered under this warranty.
- Cambro Manufacturing will bear normal charges incurred in the repair or replacement of a warranted piece of equipment within 50 miles (80 kilometers) of an authorized service agency. Time and travel charges in excess of 50 miles (80 kilometers) will be the responsibility of the person or firm requesting the service. All labor to repair and/or service the warranted unit(s) shall be performed during regular working hours. Overtime premium will be charged to the buyer and is NOT covered by this warranty.
- Charges incurred by delays or operating restrictions that hinder the service technician's ability to access or perform service to equipment in question are NOT covered by this warranty. This includes Institutional, Correctional, Military, and Marine facilities.
- Cambro Manufacturing will bear no responsibility or liability for any product(s) which have been mishandled, abused, misapplied, misused, subjected to harsh chemical action, damaged by flood, fire, or other acts of nature, field modified by unauthorized personnel or which have altered or missing serial numbers.
- Cambro Manufacturing does not recommend or authorize the use of any product(s) in a non-commercial application, including but not limited to residential use. The use or installation of any product(s) in non-commercial applications renders all warranties, express or implied, including the warranties of MERCHANTABILITY and FITNESS FOR A PARTICULAR PURPOSE, null and void, including any responsibility for damage, costs and legal actions resulting from use or installation of product(s) in any non-commercial setting.
- Adjustments such as calibrations, leveling, tightening of fasteners or utility connections normally associated with the original installation are the responsibility of the dealer or installer and not that of Cambro Manufacturing. Improper installation includes, but is not limited to, use of inadequate electrical wiring and/or insufficient or improper voltage.
- Replacement part(s) which are replaced in the field by CAMBRO authorized service technicians ONLY will be warranted for the duration of the equipment warranty or 90 days effective from date of installation, whichever is greater. This warranty is for part(s) cost only and does not include freight or labor charges.
- This states the exclusive remedy against Cambro Manufacturing relating to the product(s), whether in contract or in tort or under any other legal theory, and whether arising out of warranties, representations, instructions, installations or defects from any cause. Cambro Manufacturing shall not be liable, under any legal theory, for loss of use, revenue or profit, or for substitute use of or performance, or for incidental, indirect, or special or consequential damages or for any other loss or cost of a similar type.
- THIS WARRANTY AND THE REPRESENTATIONS AND TERMS SET FORTH HEREIN ARE EXCLUSIVE AND IN LIEU OF ALL OTHER WARRANTIES AND LIABILITIES, INCLUDING BUT NOT LIMITED TO, OTHER WARRANTIES, EXPRESS OR IMPLIED, OF MERCHANTABILITY AND FITNESS FOR PARTICULAR USE AND CONSTITUTES THE ONLY WARRANTY OF CAMBRO MANUFACTURING WITH RESPECT TO THE PRODUCT(S).

RETURN POLICY: Cambro Manufacturing products cannot be returned without prior written factory authorization (**RMA**). The restocking charge is 15% plus any costs required to recondition the equipment. No returns accepted after 90 days from date of invoice. Electrical components returned are subject to inspection prior to credit being issued. Electrical components which have been installed by an operator or non-approved service agent are not returnable for credit.

MANUAL DEL PROPIETARIO

SERIE H DE PORTADORES ULTRA PAN CARRIER® ELÉCTRICOS PARA LA RETENCIÓN DE ALIMENTOS CALIENTES, SERIE H DE TRANSPORTADORES ULTRA CAMCART® Y SERIE H DE PUERTAS TÉRMICAS DE REPUESTO DE CAMBRO®

Este manual de propietario sirve para todas las variantes de los modelos en las siguientes categorías:

Ultra Pan Carrier® Serie H

UPCH400 / 4002

Ultra Camcart® Serie H

UPCH800 / 8002

UPCH1600 / 16002

SÓLO para Puertas Térmicas de Repuesto para el reemplazo o actualización de los Ultra Pan Carriers o Ultra Camcarts no eléctricos

Nota: Todos los modelos que terminan en un dos "2" indican un voltaje de 220 V. Todas las instrucciones en este manual se refieren a ambos modelos, los de 110 V y los de 220 V.



UPCH400
UPCH4002



UPCH1600
UPCH16002



UPCH800
UPCH8002

CAMBRO
TRUSTED FOR GENERATIONS™

CAMBRO U.S.A.
5801 Skylab Road, Huntington Beach, CA 92647
P.O. Box 2000, Huntington Beach, CA 92647-2000
TEL: (714) 848 1555 FAX: (714) 843 2630

ESPAÑA
TEL: 900 122 125
FAX: 918 125 582
cambrospain@cambro.com

Idiomas

English	1
Español.....	5
Français.....	9
Italiano.....	13
Deutsch	17
Polski.....	21
Русско.....	25
日本語.....	29
中文.....	33

I. Introducción

Felicitaciones por la compra de su nuevo transportador Ultra Pan Carrier o Ultra Camcart de retención termoeléctrica. Este Manual del Propietario le proporciona una guía paso a paso para operar y dar mantenimiento a su nuevo transportador isotérmico. Si tiene más preguntas, por favor comuníquese con su Representante de Ventas Cambro, visite nuestro portal en la Internet en www.cambro.com o marque la Línea Directa de Servicios al Cliente al (800) 833 3003. Los clientes internacionales sirvanse marcar el (714) 848 1555.

II. Instrucciones de Seguridad

IMPORTANTE: Lea todas las instrucciones antes de usarlo y guárdelas para referirse a ellas en el futuro.

- Siga las advertencias marcadas en la unidad.
- Use sólo el tipo de suministro eléctrico indicado (voltaje, fase, frecuencia) en la etiqueta de la unidad.
- No use el cordón eléctrico si éste está deshilachado o dañado.
- Conecte la unidad únicamente en fuentes de alimentación con contacto adecuado a tierra.
- Use únicamente el cordón eléctrico y las piezas de repuesto autorizadas por el fabricante.
- **¡Advertencia!** No use este equipo en condiciones mojadas o húmedas.
- **¡Advertencia!** Desenchufe la unidad antes de limpiarla o darle servicio.
- **¡Advertencia!** Quite el cordón eléctrico del calentador antes de limpiarlo. Límpielo sólo con un paño húmedo únicamente.
- **¡Advertencia!** No deje que el calentador o el termómetro se moje bajo ningún concepto.
- **¡Advertencia!** Desenchufe el cordón eléctrico antes de quitar el calentador de la puerta.
- **¡Advertencia!** Únicamente un Ag ente de Servicio Autorizado Cambro o un técnico calificado en equipos para el servicio de alimentos debe abrir la cubierta interior del calentador para darle servicio.
- Durante las operaciones cotidianas, revise los tornillos de mariposa del calentador para cerciorarse de que están ajustados; hágalo por lo menos una vez por semana.
- Cualquier problema en la operación que no esté identificado y corregido por las instrucciones en este manual deberá referirse a personal de servicio calificado (un electricista o un técnico en equipos de servicios de alimentos).



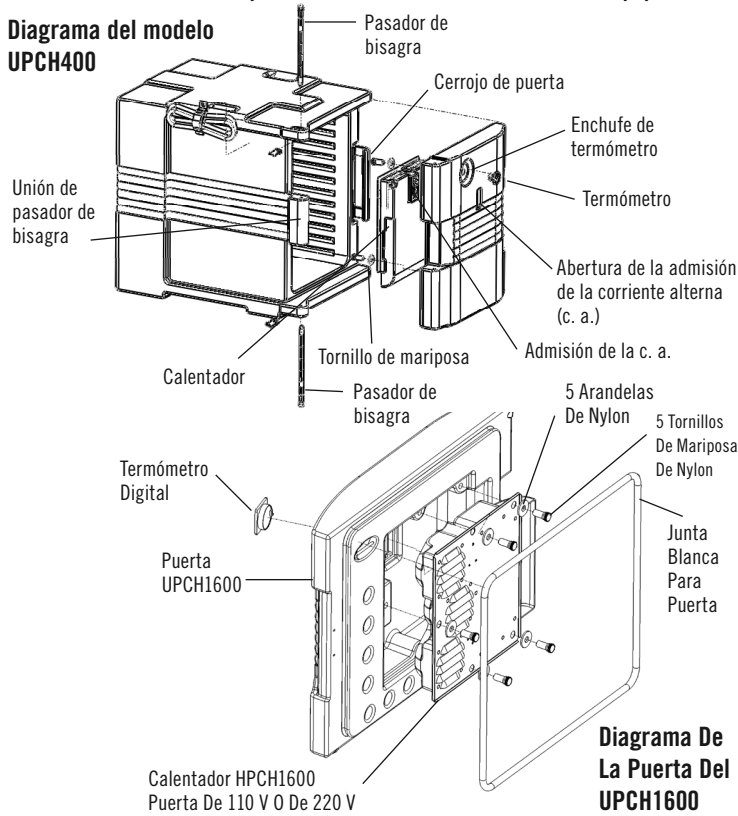
NOTA: Para obtener servicio, sírvase contactar a Cambro al (800) 854 7631 ext. 4118. Las unidades bajo garantía deben recibir servicio únicamente del Agente de Servicios Autorizado de Cambro.

III. Vistas Ensamblada y Esquemática del Producto

Para su comodidad, todos los productos UPCH400, UPCH800 y UPCH1600 se arman en la fábrica. No es necesario armarlos.

NOTA: Quite la cinta de empaque, las etiquetas o los documentos que se hallen en el interior de los compartimentos antes de hacer funcionar el equipo.

Diagrama del modelo UPCH400



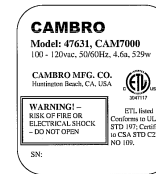
*En base a una prueba con recipientes H-Pans de 10 cm de profundidad y tapas GriPLids® llenos con aproximadamente 14 litros de agua a 88° C guardados en el compartimento con la puerta cerrada: La temperatura del agua bajó a 84° C en 4 horas.



UPCH400, UPCH800 (110V)



UPCH4002, UPCH8002 (220V)



UPCH1600 (110V)



UPCH16002 (220V)

Instrucciones para Reajustar los Calentadores UPCH

Instrucciones: Este documento únicamente cubre los calentadores de puerta fabricados con termostatos de límite alto reajustables manualmente. Los calentadores de puerta con esta característica tienen un agujero de acceso en la cubierta de la unidad del calentador y habrán de tener una etiqueta de "RESET" (REAJUSTAR – REINICIAR) cerca del agujero.

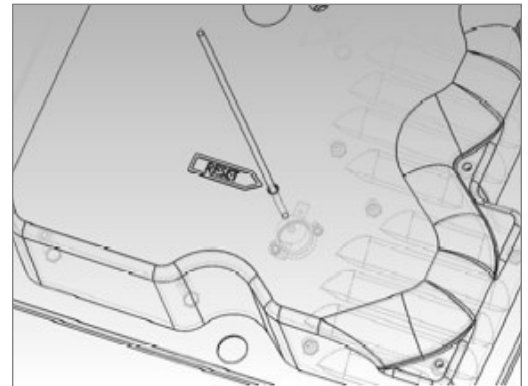
NOTA: Funcionamiento normal del calentador de puerta está controlado por un "termostato de control" de ciclado automático. La falla del termostato de control puede causar que la temperatura interna del producto Cambro se eleve a temperaturas que pueden dañar el plástico. Un termostato de límite alto manualmente reajutable, fijado a 90,6° C está incorporado al circuito del calentador. Este dispositivo le quitará potencia en forma efectiva al calentador en la unidad calentadora y no volverá a una operación normal hasta que la temperatura sea menor de 85° C y se oprima el botón del termostato de límite alto. Hay otros factores que pueden causar que el termostato de límite alto se abra, por ejemplo, fallas del ventilador o la colocación de recipientes de comida a temperaturas mayores de 87,8° C.

¡PRECAUCIÓN: Peligro de Choque Eléctrico!

Antes de tratar de reajustar el termostato de límite alto, desenchufe el cordón eléctrico del calentador de la fuente eléctrica. Use únicamente herramientas "no metálicas" para oprimir el botón de reajuste.

No se salte los termostatos ni los altere en forma alguna.

- Desenchufe el cordón eléctrico de la toma de corriente de la pared o de la fuente eléctrica y desenchufe el otro extremo del frente del calentador.
- Abra la puerta del producto Cambro y sostenga el calentador firmemente mientras quita los cinco (5) tornillos de mariposa con sus arandelas, hágalo sosteniendo el calentador contra la cara interior de la puerta. Esto también se puede hacer después de quitarle la puerta al producto Cambro o pidiéndole a otra persona que le ayude a sostener el calentador.
- Una vez que tenga el calentador reposando sobre una superficie estable con la sección metálica dando hacia abajo, ubique el pequeño agujero redondo en la tapa con la palabra RESET (REAJUSTAR) junto al agujero (la palabra RESET podría no aparecer en algunas unidades).
- Usando un artículo no metálico de diámetro pequeño y redondo, por ejemplo un revolver de plástico, introdúzcalo y guíelo por el agujero hasta oprimir el botón en el termostato de límite alto como se ve en la figura de abajo.
- Saque el artículo que usó para oprimir el botón y regrese el calentador a la puerta, vuelva a colocar los tornillos con las arandelas y apriételes.
- Enchufe el cordón eléctrico a la puerta del frente y después a la fuente de alimentación eléctrica. Encienda el calentador (si fuese necesario) y verifique que está calentando a la temperatura normal.



NOTA: Después de reajustar el termostato de límite alto, por favor verifique que todos los ventiladores estén funcionando y que la temperatura no sobrepase los 85° C. Si los ventiladores no están funcionando, el límite alto se activará de nuevo cuando el calor dentro del recinto del calentador alcance la temperatura fijada. Si la causa original fue una falla del termostato de control para limitar la temperatura a 76,7° C, el límite alto se activará nuevamente después de que el calor en el recinto del calentador alcance la temperatura fijada. Si el calentador no funciona después de oprimir el botón de reajuste, trate de nuevo el procedimiento o, si continúa dejando de funcionar después de cierto tiempo de calentamiento, **no se salte los termostatos ni los altere en forma alguna** y contacte a su representante Cambro.

IV. Instrucciones de Operación

NOTA: Las unidades están diseñadas únicamente para retener alimentos calientes ya precalentados. NUNCA las use para precalentar o para recalentar los alimentos.

¡ADVERTENCIA! Nunca las use en condiciones mojadas o húmedas. En la Sección II, consulte las Instrucciones de Seguridad y las Advertencias.

- Enchúfelas en un tomacorriente de la red principal de 100 a 120 V de corriente alterna (c. a.) (modelos UPCH400/800/1600) o de 200 a 230 V de c. a. (modelos UPCH4002/8002/16002) 50/60 Hz. La etiqueta del producto, ubicada en la unidad térmica dentro de cada puerta, indica claramente la información del suministro eléctrico (vea las muestras de etiquetas abajo).
- La luz roja en el frente de la puerta térmica indica que la potencia está ENCENDIDA en los modelos UPCH400 y UPCH800 – no hay interruptor de potencia, la unidad se enciende automáticamente al enchufarla en el tomacorriente. La potencia se activa en los modelos UPCH1600 colocando el interruptor de potencia en encendido; el interruptor está al frente de la puerta térmica y se pone rojo cuando la potencia está en ENCENDIDO. Una luz ámbar en el mismo interruptor indica que el calentador está activado. Éste permanecerá encendido hasta que el calentador alcance la temperatura que se fijó en la fábrica y después se apagará. **NOTA** – el calentador se encenderá y apagará, según se requiera durante las operaciones, para mantener las temperaturas fijadas en la fábrica.
- Precale los compartimentos vacíos con la(s) puerta(s) cerrada(s) durante 45 minutos antes de meter la comida caliente. Cuando el termómetro en el interior de la puerta indique 65° C, meta los recipientes con la comida caliente en el portador o transportador y cierre la(s) puerta(s) con el cerrojo para que queden bien cerradas. **NOTA:** Enfíe los recipientes de metal o las bandejas delgadas a 121° C antes de colocarlas sobre los rieles de plástico.
- Al transportar el portador/transportador lleno de comida caliente, desenchufe los cordones eléctricos y guárdelos en las correas para cordones que están en el interior del portador o transportador antes de moverlo. La unidades isotérmicas conservan caliente a la comida caliente durante más de 4 horas cuando la unidad está desenchufada*.
- Si fuese necesario, abra la ventila de presión que está ubicada en la puerta para dejar escapar la humedad o el vapor (únicamente en las puertas del UPCH400 y del UPCH800). Agárrela firmemente y tire de ella hacia fuera hasta que se oiga un chasquido. Para cerrar la ventila empújela hasta que se oiga el chasquido. Los modelos UPCH1600 tiene un ventila pasiva integrada.

V. Cuidado y Mantenimiento

A. Calentador y Puerta

ADVERTENCIA: Enfríe la unidad térmica completamente antes de limpiarla o de darle mantenimiento.

ADVERTENCIA: No sumerja el calentador en agua, y tampoco lo rocíe con agua.

ADVERTENCIA: Desenchufe el cordón eléctrico del tomacorriente de la pared (el cual debe tener contacto a tierra) y del calentador de la puerta antes de limpiarlo.

1. Cuidadosamente quite los cinco tornillos de mariposa y las arandelas del calentador con una mano al tiempo que sostiene el calentador con la otra. ¡PRECAUCIÓN! Una vez que comience a aflojar los tornillos de mariposa, el calentador se puede caer a menos que lo esté deteniendo firmemente. También puede quitar la puerta y ponerla boca abajo sobre una superficie plana para quitar el calentador. (Sección VI)
2. Una vez que quite el calentador de la puerta, limpie los componentes y la puerta con un detergente blando, agua caliente y unpaño suave.
3. Enjuáguelos usando un paño suave y agua caliente limpia para quitarles el jabón y la mugre.
4. Seque al aire todos los componentes completamente o con un paño suave limpio y seco antes de rearmarlos y de usar el calentador.
5. Cuidadosamente coloque el calentador en el área empotrada de la cara interior de la puerta. Alinee la entrada de la conexión eléctrica de c. a. con el agujero rectangular a través de la puerta.
6. Use las arandelas y los tornillos de mariposa para volver a colocar la puerta. Apriete los tornillos de mariposa firmemente, pero sin exceso. No use pinzas ni herramientas. Durante las operaciones normales, revise periódicamente los tornillos de mariposa para cerciorarse de que están ajustados.
7. Revise las patillas del enchufe así como el cordón eléctrico y reemplácelo si éste está raído o si las patillas están dobladas, rotas o ya no las tiene.
8. Si quitó la puerta para limpiarla o darle mantenimiento, reinstálela de acuerdo con las instrucciones en la Sección VI.

B. Bastidor del Portador/Transportador

1. Límpiolo con un detergente blando, agua caliente y un paño suave. NO use detergentes o limpiadores que tengan amoníaco o lejía.
2. Lávelo a mano usando un paño o cepillo suaves para limpiar todas las superficies interiores y exteriores. NO use estropajo o estopa de acero ni almohadillas o cepillos abrasivos para restregarlo.
3. Enjuague el producto con agua cálida o caliente para quitarle el jabón y la mugre.
4. Limpie las juntas colocándolas en un recipiente o lavabo con agua jabonosa caliente, frótelas con un paño o cepillo suaves, enjuáguelas en agua caliente y déjelas secar al aire.
5. Deje que el interior y el exterior del portador/transportador se sequen al aire, o séquelos con un paño suave, limpio y seco.

C. Ruedas

Hay que darles mantenimiento a las ruedas después de cada limpieza.

1. Engrase el canal de rodamiento giratorio de la rueda usando un lubricante como el Lubriplate #930-AA, grasa para usos múltiples Keystone #84EPXLT o equivalente. Aplique la grasa usando una engrasadora con un adaptador de punta de aguja o un aplicador del tipo de tubo como el Sta-Lube Moly-graph Assembly Lube (Fig.1). Estos se pueden obtener en la mayoría de las casas que venden piezas de repuesto para autos (refaccionarias).
2. Use un aceite ligero como el WD-40 en el cubo (Fig.2). Revise la rueda para ver si tiene daños y pruebe el rodamiento de la rueda y el giro (en sentido horizontal) de la misma antes de regresarla al servicio.

D. Tapón de ventila de presión y ancla

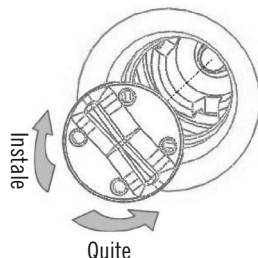
(SÓLO para los modelos UPCH400 y UPCH800)

Para quitarlo:

1. Empuje el tapón de la ventila hacia abajo, a la posición de no ventilar.
2. Desde el fondo o desde el interior de la tapa o de la puerta, desenrosque el componente del ancla en sentido contrario a las manecillas del reloj. Sostenga el tapón en el lado "exterior" de la puerta para evitar que éste dé vueltas.
3. Una vez que el componente del ancla está desconectado del tapón, tire del tapón hacia arriba hasta que se salga por completo de la abertura de la ventila.
4. Remoje y/o límpiolo en agua jabonosa cálida (sólo con detergente blando) y déjelo secarse al aire o séquelo con un paño suave y limpio.

Para instalarlo:

1. Coloque el componente del tapón dentro de la abertura de la ventila desde la parte superior o superficie externa de la tapa o de la puerta empujándolo completamente hacia la abertura hasta que se detenga (en la posición de no ventilar).



2. Desde el fondo o lado interno de la tapa o de la puerta, enrosque el componente del ancla en el sentido de las manecillas del reloj. Tal vez tenga que detener el tapón en el lado opuesto de la puerta para evitar que éste dé vueltas. Cuando los dos componentes estén completamente conectados, deje de enrosarlos. No los apriete con exceso.

VI. Instrucciones de Instalación del Juego de la Puerta Térmica para la Serie H

Reemplace las Puertas Térmicas de la Serie H existentes o convierta los modelos no eléctricos actuales UPC400, UPC800, UPC1600 en unidades eléctricas UPCH400, UPCH800 ó UPCH1600.

Antes de reemplazar o de instalar, cerciórese de tener lo siguiente:

- Una puerta con calentador
NOTA: Estas puertas están diseñadas para quedarle sólo al gabinete superior o al inferior por lo que NO son intercambiables. Cerciórese de tener el modelo correcto antes de la instalación. Las palabras "TOP DOOR" (PUERTA SUPERIOR) o "BOTTOM DOOR" (PUERTA INFERIOR) están moldeadas en la cara interior de la puerta sobre el nudillo de la bisagra. El número del modelo y el número de serie del calentador están en la etiqueta del calentador.
- Un cordón eléctrico separable (de 110 V o de 220 V, dependiendo del modelo).
- Una correa para cordón, cada una con un tornillo y una arandela de acabado y una plantilla de colocación. Herramientas necesarias para el armado – Desarmador de cruz (#2) para la correa del cordón.



Fig. 1



Fig. 2



Fig. 3



Fig. 4



Fig. 5



Fig. 6a

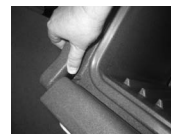


Fig. 6b



Fig. 7a



Fig. 7b

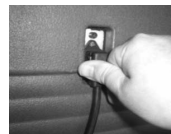


Fig. 8a



Fig. 8b

1. Descanse el gabinete o el portador sobre su respaldo con la(s) puerta(s) dando hacia arriba. Ubique y quite los pasadores de la bisagra. En los modelos UPC400 de una sola puerta, uno está ubicado arriba y el otro en el fondo de los nudillos de la bisagra de la puerta (Fig. 1). En los modelos UPC800/UPCH800 y UPC1600/UPCH1600, un pasador de bisagra está ubicado en la parte de arriba de la puerta superior y otro está ubicado en la parte de abajo de la puerta inferior y hay un pasador pivote en la parte de abajo de la puerta superior y en la parte de arriba de la puerta inferior.
2. Mientras mueve la puerta hacia atrás y hacia delante, tire de los pasadores de bisagra para sacarlos (Fig. 2). Quite los pasadores pivote.
¡Advertencia! Sostenga la puerta en todo momento hasta que ésta se suelte y pueda sacarse.
3. Tire la puerta para sacarla del bastidor (Fig. 3). La puerta puede estar apretada y habrá que manipularla para poderla sacar.
4. Para instalarla en su lugar, coloque la nueva puerta como se muestra (Fig. 4), alineando los nudillos de la bisagra.
5. Primero coloque los pasadores de bisagra en los agujeros de la bisagra, alineando los agujeros del bastidor y los de la puerta (Fig. 5). Ajuste la posición de la puerta según se requiera para que todos los pasadores entren. Enseguida, para los modelos UPC800/UPCH800 y UPC1600/UPCH1600, ponga los pasadores pivote en los agujeros de la bisagra. Ajuste la posición de la puerta o gírela según se requiera para permitir que los pasadores entren completamente en su lugar.
6. Después de que los pasadores se hayan asentado completamente y se vea la ranura entre la puerta y el bastidor (Fig. 6a), empuje a presión la punta en "U" del clip del pasador de bisagra en la ranura del pasador. Gire la puerta para que pueda empujar la punta en "V" sobre la costilla moldeada, que está inmediatamente detrás del agujero del pasador, hacia el área de almacenamiento de alimentos del portador (Fig. 6b). Haga esto en la parte de arriba y de abajo de la bisagra de la puerta.
7. Usando la plantilla de ubicación, marque e instale la correa del cordón eléctrico en el costado de la unidad y ajuste la correa del cordón con el tornillo y con la arandela de acabado provistos (Figs. 7a y 7b).
8. Enchufe el cordón eléctrico separable (Fig. 8a) a la puerta del calentador y asegure cualquier exceso del cordón en la correa (Fig. 8b).

VII. Guía para la Localización de Problemas

¡Advertencia! Peligro de Choque Eléctrico — Desconecte el suministro eléctrico antes de dar servicio. Cualquier problema de operación que no aparezca en este manual junto con las instrucciones para corregirlo deberá referirse a personal calificado para dar este servicio (electricista o un técnico en equipos para el servicio de alimentos). No hay piezas por debajo de la cubierta interior del calentador a las que pueda darles servicio el usuario. Sólo personal calificado para este tipo de servicio deberá abrir la cubierta interior del calentador.

Problema	Causas Posibles	Soluciones Posibles
La unidad está enchufada pero no calienta en lo absoluto.	<ul style="list-style-type: none"> No hay potencia eléctrica o hay una cantidad inadecuada. El cordón eléctrico no está completamente conectado a la fuente de poder o al calentador. El cordón eléctrico está dañado. La unidad térmica está dañada. 	<ul style="list-style-type: none"> Verifique la potencia suministrada a la unidad. Debe ser igual a los requerimientos indicados en la etiqueta del calentador. Cerciórese de que ambas puntas del cordón eléctrico estén bien conectadas. Siempre reemplace los cordones eléctricos dañados por cordones eléctricos autorizados por Cambro. Reemplace el calentador.
La unidad opera durante más de 1 hora pero no alcanza la mínima temperatura de 64° C.	<ul style="list-style-type: none"> La puerta no está completamente cerrada o falta la junta. El cordón eléctrico está dañado y está provocando una potencia intermitente al calentador. El termómetro está dañado o no está funcionando bien. La unidad térmica no está funcionando bien. 	<ul style="list-style-type: none"> Cerciórese de que la puerta esté completamente cerrada y que la junta esté en su lugar. Está bien si hay ranuras pequeñas pues éstas no afectarán el rendimiento. Siempre reemplace los cordones eléctricos dañados por cordones eléctricos autorizados por Cambro. Revise el calor en el interior de la unidad con un termómetro verificado, ubicado en el centro del interior de la unidad. Revise si hay obstrucciones en los ventiladores. Si no hay, reemplace la unidad térmica.
Olor persistente dentro del gabinete.	<ul style="list-style-type: none"> Arranque inicial de la unidad. Comida que se dejó en el gabinete por un plazo de retención demasiado largo.. 	<ul style="list-style-type: none"> Para el primer uso, enchufe y haga que la unidad funcione con la puerta abierta durante 1 hora para que se airee el gabinete. Ponga un recipiente de agua con un poco de bicarbonato de sodio y encienda el calentador durante 1 hora. Si persiste el olor, por favor comuníquese con el Servicio a Clientes de Cambro al (800) 833 3003.

VIII. Piezas de Repuesto

Por favor, visite el portal www.cambro.com para ver un listado completo de las piezas de repuesto. Se necesitan el número de modelo del portador o transportador Cambro y/o del calentador para determinar la pieza de repuesto correcta. El número del modelo del portador o del transportador está en el interior de la puerta o está moldeado en el fondo del bastidor. Cada calentador tiene una etiqueta con su número de serie y con el número del modelo del calentador.

PARA PEDIR PIEZAS DE REPUESTO:

- Llame a Servicio al Cliente de Cambro al (800) 833 3003 ó
- Envíe su pedido por fax al (714) 842 3430 ó
- Llame a su Representante o Distribuidor local de Cambro

IX. Garantía Cambro y Responsabilidad Civil del Producto

GARANTÍA ORIGINAL LIMITADA DE EQUIPOS ELÉCTRICOS COMERCIALES

Cambro Manufacturing garantiza que su(s) nuevo(s) producto(s) estará(n) libre(s) de defectos en su material y mano de obra por un plazo de un (1) año a partir de la fecha de envío del equipo desde un centro de distribución autorizado de CAMBRO.

Esta Garantía está sujeta a las siguientes condiciones y limitaciones:

- Esta garantía se limita al (a los) producto(s) vendido(s) por Cambro Manufacturing a usuarios originales en los Estados Unidos continentales y Canadá. Para reclamaciones con Garantías Internacionales, sírvase contactar al Representante Cambro de su localidad.
- La Responsabilidad Civil de Cambro Manufacturing está limitada a la reparación o reemplazo de cualquier pieza que esté defectuosa. Las piezas y la mano de obra necesarias para dar mantenimiento preventivo o para la limpieza no están cubiertas bajo esta garantía.
- Cambro Manufacturing asumirá los cargos normales que se incurran en la reparación o reemplazo de una pieza garantizada del equipo dentro de un radio de 50 millas (80 kilómetros) desde una agencia de servicio autorizado. Los cargos por tiempo y viaje que excedan las 50 millas (80 kilómetros) correrán bajo la responsabilidad de la persona o empresa que solicite el servicio. Toda la mano de obra para reparar y/o dar servicio a la(s) unidad(es) garantizada(s) se llevará a cabo durante las horas de trabajo regulares. Se hará un cargo adicional al comprador por las horas extra y este cargo NO está cubierto por esta garantía.
- Los cargos incurridos por retrasos o por restricciones en la operación que dificulten el acceso del técnico de servicio para que éste lleve a cabo el servicio en el equipo en cuestión NO están cubiertos por esta garantía. Esto incluye instalaciones Institucionales, Correccionales, Militares y Marítimas.
- Cambro Manufacturing no asumirá responsabilidad civil de ningún tipo por algún(os) equipo(s) que hayan sido maltratados, se haya abusado de ellos, se hayan aplicado mal, se hayan usado equivocadamente, o hayan sido sujetos a acciones químicas duras, dañados por inundación, incendio u otros actos de la naturaleza, modificados en el campo por personal no autorizado o que tienen números de serie alterados o que carecen de los mismos.
- Cambro Manufacturing no recomienda ni autoriza el uso de cualquiera de sus productos en una aplicación no comercial, incluyendo, pero sin limitarse a, usos residenciales. El uso o instalación de cualquiera de los productos en aplicaciones no comerciales anula todas las garantías, expresas o implícitas, incluyendo las garantías de COMERCIALIZACIÓN y de ADECUACIÓN PARA UN PROPÓSITO PARTICULAR, incluyendo la responsabilidad por daños, costos y acciones legales que resulten del uso o instalación del (de los) producto(s) en un ambiente no comercial.
- Los ajustes, tales como las calibraciones, nivelaciones, ajuste de sujetadores o de las conexiones eléctricas asociadas normalmente con la instalación original son responsabilidad del distribuidor o del instalador y no de Cambro Manufacturing. Una instalación inadecuada incluye, pero no se limita a, el uso de cableado eléctrico incorrecto y/o voltaje insuficiente o inadecuado.
- La(s) pieza(s) de repuesto que se cambien en el campo ÚNICAMENTE por técnicos de servicio autorizado de CAMBRO estarán garantizadas por la duración de la garantía del equipo o por 90 días a partir de la fecha de la instalación, el que sea mayor. Esta garantía se refiere al costo de la(s) pieza(s) únicamente y no incluye el flete ni los cargos de la mano de obra.
- Esto declara el remedio exclusivo contra Cambro Manufacturing en relación con el (los) producto(s), sea por contrato o por agravio o bajo cualquier otra teoría legal, o sea porque surge de garantías, representaciones, instrucciones, instalaciones o defectos de cualquier causa. Cambro Manufacturing no será responsable, bajo ninguna teoría legal, por la pérdida de uso, ingreso o ganancia, o por uso sustituto de o rendimiento, o por daños incidentales, indirectos, o especiales o emergentes o por cualquier otra pérdida o costo de tipo similar.
- ESTA GARANTÍA Y LAS REPRESENTACIONES Y TÉRMINOS ESTABLECIDOS EN EL PRESENTE SON EXCLUSIVAS Y EN LUGAR DE TODAS LAS OTRAS GARANTÍAS Y RESPONSABILIDADES CIVILES, INCLUYENDO PERO SIN LIMITARSE A, OTRAS GARANTÍAS, EXPRESAS O IMPLÍCITAS, DE COMERCIALIZACIÓN Y ADECUACIÓN PARA UN USO EN PARTICULAR Y CONSTITUYE LA ÚNICA GARANTÍA DE CAMBRO MANUFACTURING CON RESPECTO AL (A LOS) PRODUCTO(S).

NORMAS DE DEVOLUCIÓN: Los productos de Cambro Manufacturing no se pueden devolver sin una autorización previa y por escrito (**RMA, siglas en inglés**) de parte de la fábrica. El cargo por renovación de existencias es de 15% más cualesquiera otros costos necesarios para el reacondicionamiento del equipo. No se aceptan devoluciones después de 90 días a partir de la fecha de la factura. Los componentes eléctricos devueltos están sujetos a revisión antes de que se otorgue el crédito. Los componentes eléctricos que hayan sido instalados por un operador o por un agente de servicio no autorizado no pueden ser devueltos para obtener un crédito.

MANUEL DU PROPRIÉTAIRE

UNITÉS DE TRANSPORT ÉLECTRIQUES ULTRA PAN CARRIER® H-SERIES À CHAUFFAGE ACTIF-PASSIF, CHARIOTS ULTRA CAMCART® H-SERIES ET PORTES DE REMPLACEMENT CHAUFFANTES DE CAMBRO®

Ce manuel d'utilisation s'applique à toutes les variations de modèles dans les catégories suivantes :

Unités de transport Ultra Pan Carrier® H-Series

UPCH400 / 4002

Chariots Ultra Camcart® H-Series

UPCH800 / 8002

UPCH1600 / 16002

Portes de remplacement chauffantes

UNIQUEMENT

pour remplacement ou conversion des unités de transport Ultra Pan Carrier ou des chariots Ultra Camcart non électriques

Remarque : Le chiffre « 2 » à la fin du numéro indique que le modèle fonctionne sur 220 V. Toutes les instructions du présent manuel sont valables pour les modèles 110 V et 220 V.



UPCH400
UPCH4002



UPCH1600
UPCH16002



UPCH800
UPCH8002

CAMBRO
TRUSTED FOR GENERATIONS™

CAMBRO U.S.A.
5801 Skylab Road, Huntington Beach, CA 92647
P.O. Box 2000, Huntington Beach, CA 92647-2000
TEL: (714) 848 1555 FAX: (714) 843 2630

CAMBRO EUROPE – CEL
TEL: 0800 910 878 / (31) 168 707 210
FAX: (33) 172 703 582
cambrofrance@cambro.com

Langues

English	1
Español.....	5
Français.....	9
Italiano.....	13
Deutsch	17
Polski.....	21
Русско.....	25
日本語.....	29
中文.....	33

I. Introduction

Félicitations pour votre achat de l'unité de transport électrique Ultra Pan Carrier à chauffage actif-passif ou du chariot Ultra Camcart de Cambro. Le présent manuel est destiné à vous guider au fil des différentes étapes de l'utilisation et de la maintenance de votre nouvelle unité de transport isotherme. Si vous avez quelque question que ce soit, veuillez vous adresser à votre agent commercial Cambro, consulter notre site Web à www.cambro.com ou appeler notre service clientèle au (800) 833 3003. En dehors des États-Unis, veuillez appeler le (714) 848 1555.

II. Consignes de sécurité

IMPORTANT: Avant de vous servir des unités, prenez connaissance de toutes ces consignes et conservez-les afin de pouvoir vous y référer dans le futur.

- Observer toutes les mises en garde figurant sur l'unité.
- Toujours utiliser le type d'alimentation électrique (tension, phase, fréquence) indiqué sur l'étiquette de l'élément chauffant.
- Ne pas utiliser l'unité si le cordon électrique est effiloché ou abîmé.
- Toujours raccorder l'unité à une source d'électricité adéquatement mise à la terre.
- Utiliser exclusivement les cordons électriques et pièces de rechange autorisés par le fabricant.
- **Avertissement !** Ne jamais utiliser ce matériel dans un milieu humide ou mouillé.
- **Avertissement !** Débranchez l'unité avant le nettoyage ou l'entretien.
- **Avertissement !** Débranchez le cordon électrique de l'élément chauffant avant le nettoyage. Nettoyez avec un chiffon humide uniquement.
- **Avertissement !** En aucun cas l'élément chauffant et le thermomètre ne doivent être mouillés.
- **Avertissement !** Débranchez le cordon électrique avant d'enlever l'élément chauffant de la porte.
- **Avertissement !** Le capot interne de l'élément chauffant ne peut être ouvert en vue d'une réparation que par un agent S.A.V. autorisé par Cambro ou un technicien qualifié spécialisé en matériel alimentaire.
- Pendant le fonctionnement normal, vérifiez au moins une fois par semaine que les vis à ailettes de l'élément chauffant sont serrées.
- Pour tout problème de fonctionnement dont l'identification et la correction ne sont pas abordées dans les consignes du présent manuel, on devra s'adresser à un technicien-réparateur qualifié (électricien ou spécialiste en matériel de restauration).



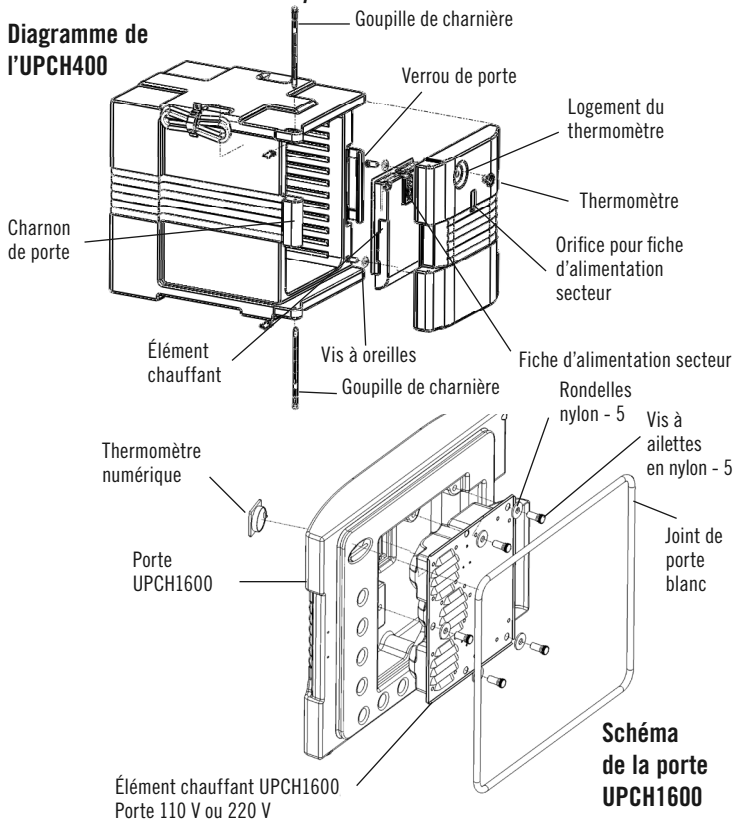
REMARQUE : Pour toute réparation, contactez Cambro au (800) 854 7631, poste 4118. Seul les techniciens S.A.V. autorisés par Cambro peuvent procéder à la réparation des unités sous garantie.

III. Vue d'ensemble et vues éclatées

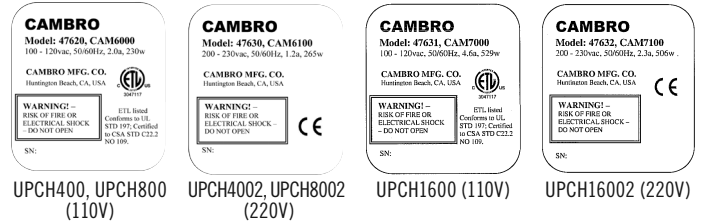
Par souci de commodité, toutes les unités UPCH400, UPCH800 et UPCH1600 sont montées en usine. Aucun montage n'est requis.

REMARQUE : Enlevez le ruban d'emballage, les étiquettes ou les documents se trouvant dans les compartiments avant d'utiliser l'unité.

Diagramme de l'UPCH400



*Sur la base d'essais effectués avec des bacs H-pan de 10 cm de profondeur fermés par des couvercles GripLids® et contenant approximativement 14 litres d'eau à 88 °C, la porte du compartiment étant fermée. La température de l'eau est tombée à 84 °C en 4 heures à 84 °C en 4 heures.



Instructions de réinitialisation des éléments chauffants UPCH

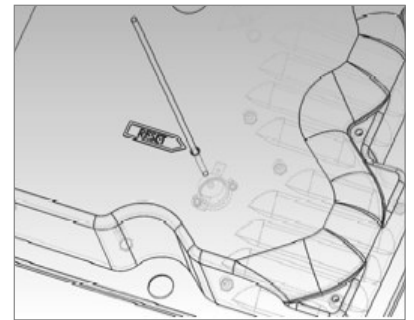
Directives : Ce document couvre les éléments chauffants de porte fabriqués avec des thermostats de limite supérieure de température réinitialisable manuellement uniquement. Les éléments chauffants de porte dotés de cette fonction comportent un trou d'accès dans la plaque de l'élément chauffant ainsi qu'une étiquette « RESET » (RÉINITIALISATION) située près du trou.

REMARQUE : Le fonctionnement normal de l'élément chauffant est commandé par un « thermostat de régulation » à cycle automatique. Une défaillance du thermostat de régulation pourrait entraîner l'élévation de la température à l'intérieur du produit Cambro à des seuils susceptibles d'endommager le plastique. Un thermostat de limite supérieure réinitialisable manuellement, réglé à 90,6°C est intégré au circuit de l'élément chauffant. Ce dispositif coupe effectivement l'alimentation électrique de l'élément chauffant et ne lui permet pas de revenir à son fonctionnement normal avant que la température ne soit redescendue en dessous de 85°C et que le bouton situé sur le thermostat de limite supérieure ne soit enfoncé. D'autres facteurs peuvent entraîner l'ouverture du thermostat de limite supérieure, à savoir une panne de ventilateur ou la pose de pots de nourriture à des températures supérieures à 87,8°C.

ATTENTION : Risque de choc électrique !

Avant de tenter de réinitialiser le thermostat de limite supérieure, débranchez le cordon électrique de l'élément chauffant de sa source d'alimentation électrique. Utilisez uniquement des outils « non métalliques » pour enfoncer le bouton de réinitialisation. Ne pas contourner ou altérer les thermostats de quelque manière que ce soit.

- Retirez le cordon électrique de la prise murale ou de la source d'alimentation électrique et enlevez l'autre extrémité de l'avant de l'élément chauffant.
- Ouvrez la porte du produit Cambro et tenez solidement l'élément chauffant en place pendant que vous retirez les cinq vis à oreilles et rondelles maintenant l'élément chauffant contre la face intérieure de la porte. Ceci peut également avoir lieu après le retrait de la porte du produit Cambro ou en demandant à une autre personne de tenir l'élément chauffant pour vous.
- Une fois l'élément chauffant sur une surface stable avec la section métallique dirigée vers le bas, repérez le petit trou rond dans la plaque avec le mot RESET (RÉINITIALISATION) figurant à côté du trou (ce mot peut ne pas apparaître sur certaines unités).
- À l'aide d'un instrument non métallique à petit diamètre rond du type bâtonnet de mélange en plastique rigide, guidez-le à travers le trou et enfoncez le bouton situé sur le thermostat de limite supérieure comme illustré sur la figure ci-dessous.
- Retirez l'instrument que vous avez utilisé pour enfoncer le bouton et remettez l'élément chauffant sur la porte, remettez les vis et les rondelles en place et serrez.
- Branchez le cordon à l'avant de la porte puis sur la source d'alimentation électrique. Mettez l'élément chauffant sous tension (au besoin) et vérifiez qu'il chauffe jusqu'à la température normale.



REMARQUE : Après avoir réinitialiser le thermostat de limite supérieure, vérifiez que tous les ventilateurs fonctionnent et que la température ne dépasse pas les 85°C. En cas de panne des ventilateurs, la limite supérieure est réactivée après que la chaleur à l'intérieur du boîtier de l'élément chauffant atteigne la température du point de consigne. Après avoir réinitialisé le thermostat de limite supérieure, vérifiez que tous les ventilateurs fonctionnent et que la température ne dépasse pas les 85°C. En cas de panne des ventilateurs, la limite supérieure est réactivée après que la chaleur à l'intérieur du boîtier de l'élément chauffant atteigne la température du point de consigne. Si l'élément chauffant ne fonctionne pas après avoir enfoncé le bouton de réinitialisation, recommencez la procédure ou s'il continue à s'arrêter après une certaine durée de chauffage, ne contournez pas ou n'altérez pas les thermostats de quelque manière que ce soit et contactez votre représentant Cambro.

IV. Mode d'emploi

REMARQUE : Ces unités sont conçues pour conserver seulement des aliments chauds préchauffés. Elles ne doivent JAMAIS être utilisées pour préchauffer ou réchauffer des aliments.

AVERTISSEMENT ! Ne jamais utiliser dans un environnement mouillé ou humide. Voir les consignes de sécurité et mises en garde énoncées à la section II.

- Branchez l'appareil sur le secteur 100-120 Vc.a. (modèles UPCH400/800/1600) ou 200-230 Vc.a. (modèles UPCH4002/8002/16002), 50/60 Hz. L'étiquette de produit collée à l'intérieur de la porte de l'unité chauffante indique la tension correcte (voir exemples ci-dessous).
- Le témoin lumineux rouge sous tension. Il n'y a pas d'interrupteur I/O, l'unité s'allume automatiquement quand elle est branchée sur le secteur. Les modèles UPCH1600 s'allument au moyen de l'interrupteur situé sur la porte chauffante ; le témoin rouge indique que l'unité est sous tension. Un témoin ambre situé sur le même interrupteur indique si l'élément chauffant est allumé. Ce témoin reste éclairé jusqu'à ce que l'élément chauffant atteigne la température réglée en usine, puis il s'éteint. **REMARQUE :** Pendant le fonctionnement, l'élément chauffant s'allume et s'éteint alternativement de manière à maintenir la température au niveau réglé en usine.
- Préchauffez le ou les compartiments vides, portes fermées, pendant 45 minutes avant de charger les aliments chauds. Lorsque le thermomètre interne de la porte indique 65 °C, placez les bacs d'aliments chauds dans l'unité de transport ou le chariot et verrouillez la ou les portes afin de fermer hermétiquement. **REMARQUE :** Refroidissez les bacs ou plaque métalliques à 121 °C avant de les poser sur les rails en plastique.
- Pour déplacer l'unité de transport ou le chariot chargé d'aliments chauds, débranchez auparavant le ou les cordons électriques et rangez-les sur les attaches situées à l'arrière de l'unité. Une fois débranchés, les unités isothermes conserveront les aliments chauds à une température adéquate pendant 4 heures ou plus*.
- Au besoin, ouvrez la bouche d'aération de la porte pour permettre à l'humidité ou à la vapeur de s'échapper (portes des UPCH400 et UPCH800 uniquement). Saisissez fermement la bouche d'aération et tirez-la vers l'extérieur jusqu'à ce qu'elle s'enclenche. Pour la refermer, poussez-la vers l'intérieur jusqu'à ce qu'elle s'enclenche. Les modèles UPCH1600 ont un dispositif intégré d'aération passive.

V. Entretien et maintenance

A. Élément chauffant et porte

AVERTISSEMENT : Laissez l'élément chauffant se refroidir complètement avant de procéder au nettoyage ou à la maintenance.

AVERTISSEMENT : Ne pas submerger ni mouiller l'élément chauffant.

AVERTISSEMENT : Débranchez l'élément chauffant de l'alimentation secteur mise à la terre et de la porte chauffante avant de le nettoyer.

1. Tout en tenant l'élément chauffant d'une main, enlevez délicatement de l'autre main les 5 vis à ailettes et rondelles en nylon. ATTENTION ! Lorsque les vis sont desserrées, l'élément chauffant risque de tomber si vous ne le tenez pas fermement. Vous pouvez aussi enlever la porte et la poser sur une surface plate, côté intérieur vers le haut, afin de retirer l'élément chauffant. (section VI)
2. Après avoir enlevé l'élément chauffant de la porte, nettoyez les pièces et la porte avec du détergent doux, de l'eau chaude et un chiffon doux.
3. Rincez avec un chiffon doux et de l'eau chaude propre afin d'enlever toute trace de savon et de saleté.
4. Séchez toutes les pièces à l'air ou essuyez-les avec un chiffon doux propre avant de remonter l'élément chauffant et de l'utiliser.
5. Posez délicatement l'élément chauffant dans le renforcement de l'intérieur de la porte. Faites correspondre la fiche d'alimentation c.a. et le trou rectangulaire de la porte.
6. Remontez l'élément chauffant à la porte avec les rondelles et vis à ailettes. Serrez les vis fermement, mais sans forcer. N'utilisez pas de pinces ou autres outils. Pendant l'utilisation normale, vérifiez de temps à autre que les vis sont serrées.
7. Inspectez les broches de la prise et le cordon électrique et remplacez ce dernier s'il est effiloché ou si des broches sont manquantes, tordues ou brisées.
8. Si vous avez enlevé la porte pour nettoyage ou maintenance, remontez-la en suivant les instructions données à la section VI.

B. Corps de l'unité de transport ou du chariot

1. Nettoyez avec du détergent doux, de l'eau chaude et un chiffon doux. N'utilisez **AUCUN** détergent ou produit de nettoyage contenant de l'ammoniac ou du décolorant.
2. En utilisant un chiffon doux ou une brosse, nettoyez à la main toutes les surfaces internes et externes. **N'UTILISEZ PAS** de laine d'acier ni de tampons ou brosses abrasifs.
3. Rincez à l'eau tiède ou chaude afin d'enlever toute trace de savon et de saleté.
4. Pour laver les joints, faites-les tremper dans un récipient ou évier rempli d'eau savonneuse chaude, frottez avec un chiffon doux ou une brosse, rincez à l'eau chaude et laissez sécher à l'air.
5. Séchez l'extérieur et l'intérieur de l'unité de transport ou du chariot à l'air ou essuyez-les avec un chiffon doux propre et sec.

C. Roulettes

Procédez à la maintenance des roulettes après chaque nettoyage.

1. Graissez la course de pivotement de chaque roulotte avec un lubrifiant tel que du Lubriplate #930-AA, de la graisse tous-usages Keystone #84EPXLT ou un produit équivalent. Appliquez la graisse avec un pistolet muni d'un embout fin ou avec un applicateur-tube tel que le Sta-lube Moly-graph Assembly Lube (figure 1). Ces articles sont en vente dans les magasins de pièces d'automobile.
2. Appliquez de l'huile légère, telle que du WD-40, sur le moyeu (figure 7). Vérifiez que la roue est en bon état, qu'elle tourne librement et qu'elle pivote bien avant de la remettre en service.



Figure 1

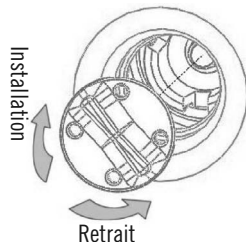


Figure 7

D. Bouchon d'aération escamotable et pièce de fixation (modèles UPCH400/UPCH800 UNIQUEMENT) Pour enlever :

1. Poussez le bouchon d'aération en position fermée.
2. Depuis le bas ou le côté intérieur du couvercle ou de la porte, dévissez la pièce de fixation en sens horaire inverse. Tenez le bouchon du côté extérieur de la porte pour l'empêcher de tourner.
3. Une fois la pièce de fixation détachée du bouchon, tirez sur ce dernier pour le sortir complètement de la bouche d'aération.
4. Trempez et/ou nettoyez dans de l'eau savonneuse chaude (détergent doux uniquement) et laissez sécher à l'air ou essuyez avec un chiffon doux propre.

Diagramme du dispositif d'aération escamotable



Pour installer :

1. Placez le bouchon dans la bouche d'aération par le haut ou l'extérieur du couvercle ou de la porte et enfoncez-le à fond (position fermée).
2. Depuis le bas ou le côté intérieur du couvercle ou de la porte, vissez la pièce de fixation en sens horaire. Il peut être nécessaire de tenir le bouchon de l'autre côté de la porte pour l'empêcher de tourner. Une fois les deux éléments complètement joints, arrêtez de visser. **Ne serrez pas trop fort.**

VI. Instructions d'installation du kit de porte chauffante H-Series

Remplacez des portes chauffantes H-Series ou convertissez des modèles non électriques UPC400, UPC800 ou UPC1600 en unités électriques UPCH400, UPCH800 ou UPCH1600.

Avant ce remplacement et/ou installation, vérifiez que vous disposez des articles suivants :

- 1 porte avec élément chauffant
REMARQUE : Ces portes sont conçues pour le compartiment supérieur OU inférieur et NE SONT PAS interchangeables. Avant l'installation, assurez-vous que vous possédez le modèle voulu. Les mots **TOP DOOR** (porte du haut) ou **BOTTOM DOOR** (porte du bas) sont moulés du côté intérieur de la porte sur le charnon. Le numéro de série et le numéro de modèle de l'élément chauffant sont indiqués sur l'étiquette de ce dernier.
- 1 cordon électrique débranchable (110 ou 220 V, selon le modèle).
- 1 attache pour cordon avec vis, rondelle de cuvette et gabarit de position.
Outil nécessaire au montage – Tournevis cruciforme n° 2 pour attache de cordon.



Figure 1



Figure 2



Figure 3



Figure 4



Figure 5



Figure 6a



Figure 6b



Figure 7a



Figure 7b



Figure 8a



Figure 8b

1. Posez l'unité de manière à ce que les portes soient dirigées vers le haut. Repérez et enlevez la ou les pinces de goupille de charnière. Sur les modèles UPC400 à une seule porte, l'une se trouve en haut des charnons de la porte et l'autre en bas (figure 1). Sur les UPC800/UPCH800 et UPC1600/UPCH1600, une goupille de charnière se trouve en haut de la porte supérieure et une autre en bas de la porte inférieure et il y a un axe d'articulation au bas de la porte supérieure et au sommet de la porte inférieure.
2. Tout en faisant pivoter la porte d'un côté et de l'autre, retirez les goupilles de charnière (figure 2). Enlevez les axes d'articulation.
Avertissement ! Tenez constamment la porte jusqu'à ce qu'elle ne soit plus attachée et que vous puissiez l'enlever.
3. Détachez la porte du corps (figure 3). Il se peut que la porte soit serrée et que vous deviez la manipuler pour la retirer.
4. Positionnez la nouvelle porte de la manière indiquée pour l'installation (figure 4), en faisant correspondre les charnons.
5. Posez d'abord les goupilles de charnière dans les trous des charnières, en faisant correspondre les trous du corps et les trous de la porte (figure 5). Réglez la position de la porte de manière à ce que toutes les goupilles pénètrent dans les charnières. Pour les modèles UPC800/UPCH800 et UPC1600/UPCH1600, placez ensuite les axes d'articulation dans les trous des charnières. Réglez la position de la porte ou faites-la pivoter de manière à ce que tous les axes s'enfoncent complètement.
6. Une fois que les goupilles sont bien en place et que la gorge est visible entre la porte et le corps (figure 6a), enclenchez l'extrémité en "U" de la pince de goupille de charnière sur la gorge de la goupille. Faites pivoter la porte de manière à pouvoir pousser l'extrémité en "V" par-dessus la canelure moulée, juste derrière l'orifice de charnière vers l'intérieur de l'unité (figure 6b). Procédez ainsi au haut et au bas de la charnière de porte.
7. À l'aide du gabarit de position, marquez et posez l'attache-cordon sur le côté de l'unité et fixez-le avec la vis et la rondelle de cuvette fournies (figures 7a et 7b).
8. Connectez le cordon débranchable (figure 8a) à la porte chauffante et rangez toute longueur de cordon en trop dans l'attache-cordon (figure 8b).

VII. Guide de dépannage

Avertissement ! Danger de choc électrique – Débranchez l'alimentation électrique avant toute intervention. Si un problème de fonctionnement ne peut pas être identifié et corrigé à l'aide des instructions du présent manuel, on devra faire appel à un technicien d'entretien-réparation qualifié (électricien ou spécialiste en matériel alimentaire). Aucune des pièces internes de l'élément chauffant ne peut être réparée par l'utilisateur. Seul les techniciens d'entretien-réparation qualifiés sont autorisés à ouvrir le capot interne de l'élément chauffant.

Problème	Causes possibles	Solutions possibles
L'unité est branchée mais ne chauffe pas.	<ul style="list-style-type: none"> Alimentation nulle ou insuffisante. Le cordon électrique est mal branché à la prise secteur ou à l'élément chauffant. Le cordon électrique est endommagé. L'élément chauffant est endommagé. 	<ul style="list-style-type: none"> Vérifiez l'alimentation fournie à l'unité. Elle devrait correspondre aux exigences indiquées sur l'étiquette de l'élément chauffant. Vérifiez que le cordon électrique est correctement branché aux deux extrémités. Remplacez toujours les cordons électriques endommagés par des cordons électriques autorisés par Cambro. Remplacez l'élément chauffant.
L'unité fonctionne depuis plus d'une heure mais ne parvient pas à atteindre la température minimale de 150°F (64°C).	<ul style="list-style-type: none"> La porte est mal fermée ou le joint est manquant. Le cordon électrique est endommagé et fournit une alimentation intermittente à l'élément chauffant. Le thermomètre est endommagé ou ne fonctionne pas correctement. L'élément chauffant ne fonctionne pas correctement. 	<ul style="list-style-type: none"> Vérifiez que la porte est bien fermée et que le joint est en place. Des petits espaces vides sont admissibles et ne dégradent pas la performance. Remplacez toujours les cordons électriques endommagés par des cordons électriques autorisés par Cambro. Contrôlez la température à l'intérieur de l'unité en plaçant un thermomètre vérifié au centre du compartiment. Vérifiez que rien n'obstrue les soufflantes. En l'absence de telles obstructions, remplacez l'élément chauffant.
Odeur persistante à l'intérieur de l'unité.	<ul style="list-style-type: none"> Démarrage initial de l'unité. Aliments laissés trop longtemps dans l'unité. 	<ul style="list-style-type: none"> Pour la première utilisation, branchez l'unité et faites-la fonctionner avec la porte ouverte pendant 1 heure afin de l'aérer. Placez une bassine d'eau contenant du bicarbonate de soude dedans et faites tourner le chauffage pendant 1 heure. Si l'odeur persiste, veuillez contacter le service clientèle de Cambro au (800) 833 3003.

VIII. Pièces de rechange

Pour la liste complète des pièces de rechange, consultez www.cambro.com. Le numéro de modèle du chariot ou de l'unité de transport Cambro et/ou de l'élément chauffant est nécessaire pour déterminer la pièce de rechange correcte. Le numéro de modèle du chariot ou de l'unité de transport est indiqué sur le côté intérieur de la porte ou moulé au bas du corps. Chaque élément chauffant porte une étiquette indiquant son numéro de série et son numéro de modèle.

POUR COMMANDER DES PIÈCES DE RECHANGE :

- Appelez le service Clientèle Cambro au (800) 833 3003 (Amérique du Nord) ou
- Commandez par fax au (714) 842 3430 ou
- Appelez votre représentant ou revendeur Cambro local

IX. Garantie Cambro et responsabilité concernant les produits

GARANTIE LIMITÉE SUR LE MATÉRIEL ÉLECTRIQUE INDUSTRIEL D'ORIGINE

Cambro Manufacturing garantit ses produits neufs contre tout vice de matériau ou de fabrication pendant une période d'un (1) ans commençant à la date à laquelle le matériel est expédié par un centre de distribution CAMBRO autorisé.

Cette garantie est sujette aux conditions et limitations suivantes :

1. Cette garantie est limitée au ou aux produits vendus par Cambro Manufacturing à l'utilisateur initial aux États-Unis (partie continentale) et au Canada. En ce qui concerne les réclamations de garantie internationales, contactez votre représentant Cambro local.
 2. La responsabilité de Cambro Manufacturing se limite à la réparation ou au remplacement de toute pièce reconnue comme étant défectueuse. Les pièces et la main-d'œuvre nécessaires à la maintenance préventive ou au nettoyage sont exclues de cette garantie.
 3. Cambro Manufacturing assumera les frais normaux associés à la réparation ou au remplacement de matériel sous garantie dans un rayon de 80 km d'un centre S.A.V. autorisé. Au-delà de ce rayon de 80 km, la personne ou l'entreprise demandant la réparation ou le remplacement sera responsable des frais de transport et délais. Tout le travail correspondant à la réparation et/ou à la maintenance de la ou des unités sous garantie sera exécuté pendant les heures de travail normales. Les heures supplémentaires seront facturées à l'acheteur et elles NE SONT PAS couvertes par cette garantie.
 4. Les frais résultant de délais ou de restrictions opérationnelles qui empêchent le technicien S.A.V. d'accéder au matériel ou de le réparer NE SONT PAS couverts par cette garantie. Ceci comprend les établissements institutionnels, pénitentiaires, militaires et navals.
 5. Cambro Manufacturing n'assumera aucune responsabilité en ce qui concerne tout produit qui a fait l'objet d'un usage rude, abusif, erroné ou incorrect, qui a été exposé à des actions chimiques agressives, qui a été endommagé par suite d'inondations, d'incendie ou d'autres actes naturels, qui a été modifié en clientèle par du personnel non autorisé ou dont les numéros de série ont été altérés ou sont manquants.
 6. Cambro Manufacturing ne recommande pas et n'autorise pas l'utilisation de tout produit dans une application non industrielle, y compris, mais sans s'y limiter, l'utilisation résidentielle. L'utilisation ou l'installation de tout produit dans des applications non industrielles rend toutes les garanties, expresses ou tacites, y compris les garanties d'ADÉQUATION COMMERCIALE et d'ADAPTATION À UN BUT PARTICULIER, nulles et non avenues, y compris toute responsabilité relative à des dommages, coûts et actions en justice résultant de l'utilisation ou de l'installation de produit(s) dans un environnement non industriel.
 7. Les réglages normalement associés à l'installation initiale, tels qu'étalonnages, mise à niveau, serrage des attaches ou raccordements aux services publics, sont la responsabilité du revendeur ou de l'installateur et non de Cambro Manufacturing. Une installation incorrecte comprend, mais sans s'y limiter, l'emploi de câblage électrique inadéquat et/ou une tension d'alimentation insuffisante ou incorrecte.
 8. SEULES les pièces de rechange remplacées en clientèle par des techniciens S.A.V. autorisés par Cambro seront garanties pour la durée de la garantie matériel ou pour 90 jours à compter de la date d'installation, selon la plus longue de ces deux périodes. Cette garantie couvre uniquement le coût des pièces et ne comprend pas les frais de fret et de main-d'œuvre.
 9. Les présentes stipulations définissent le recours exclusif contre Cambro Manufacturing eu égard aux produits, qu'il ressorte du droit des contrats, du droit délictuel ou de toute autre doctrine juridique et qu'il découle de garanties, déclarations, instructions, installations ou défauts dus à quelque raison que ce soit. Cambro Manufacturing ne saura être tenue responsable, en vertu de quelque principe juridique que ce soit, de la privation de jouissance ou de la perte de revenu ou de bénéfice, ni de l'emploi ou de la performance de produit de remplacement, ni de tous dommages accessoires, indirects, spéciaux ou consécutifs, ni de toute autre perte ou frais apparenté.
 10. LA PRÉSENTE GARANTIE ET LES DISPOSITIONS ET MODALITÉS CI-ÉTABLIES EXCLUENT ET REMPLACENT TOUTES AUTRES GARANTIES ET RESPONSABILITÉS, Y COMPRIS, MAIS SANS S'Y LIMITER, LES AUTRES GARANTIES, EXPRESSES OU TACITES, D'ADÉQUATION COMMERCIALE OU D'ADAPTATION À UN BUT PARTICULIER, ET ELLES CONSTITUENT LA SEULE GARANTIE OFFERTE PAR CAMBRO MANUFACTURING EU ÉGARD AUX PRODUITS.
- POLITIQUE RELATIVE AU RENVOI DE PRODUITS :** Les produits de Cambro Manufacturing ne peuvent être renvoyés qu'après obtention d'une autorisation par écrit (RMA). Les frais de restockage s'élèvent à 15 pour cent, et sont majorés de tous frais éventuels de reconditionnement du matériel. Aucun renvoi n'est accepté au-delà de 90 jours après la date de la facture. Les éléments électriques renvoyés sont sujets à une inspection avant l'émission d'un avoir. Les éléments électriques qui ont été installés par un utilisateur ou un technicien S.A.V. non approuvé ne peuvent pas être renvoyés pour obtenir un avoir.

MANUALE D'USO

CONTENITORI ISOTERMICI ELETTRICI CAMBRO® ULTRA PAN CARRIER® H-SERIE, CARRELLI ULTRA CAMCART® H-SERIE E SPORTELLI RISCALDATI DI RICAMBIO

Questo manuale dell'utente si riferisce a tutte le varianti dei modelli appartenenti alle seguenti categorie:

Ultra Pan Carrier® H-Series

UPCH400 / 4002

Ultra Camcart® H-Series

UPCH800 / 8002

UPCH1600 / 16002

Porte riscaldate di ricambio SOLO per la sostituzione o l'aggiornamento degli Ultra Pan Carrier o Ultra Camcart non elettrici

Nota: tutti i codici che terminano con "2" indicano la tensione di 220V. Le istruzioni di questo manuale sono valide per entrambi i modelli a 110V e a 220V.



UPCH400
UPCH4002



UPCH1600
UPCH16002



UPCH800
UPCH8002

CAMBRO
TRUSTED FOR GENERATIONS™

CAMBRO U.S.A.
5801 Skylab Road, Huntington Beach, CA 92647
P.O. Box 2000, Huntington Beach, CA 92647-2000
TEL: (714) 848 1555 FAX: (714) 843 2630

ITALIAN
TEL: (39) 0522 90 20 51
FAX: (39) 0522 90 20 17
cambroitaly@cambro.com

Lingue

English	1
Español.....	5
Français.....	9
Italiano	13
Deutsch	17
Polski.....	21
Русско.....	25
日本語.....	29
中文.....	33

I. Introduzione

Congratulazioni per l'acquisto del contenitore isotermico elettrico Cambro Ultra Pan Carrier o Ultra Camcart. Il presente manuale d'uso fornisce una guida passo-passo per l'uso e la manutenzione del contenitore isotermico. Per ulteriori chiarimenti rivolgersi al rappresentante di vendita Cambro, visitare il sito Web www.cambro.com oppure chiamare la Hot Line del servizio clienti al numero (800) 833 3003. I clienti esteri possono chiamare il numero (714) 848 1555.

II. Istruzioni di sicurezza

IMPORTANTE: leggere tutte le istruzioni prima di usare il contenitore e conservarle come riferimento.

- Rispettare tutte le avvertenze riportate sull'unità.
- Usare solo il tipo di alimentazione elettrica (tensione, fase, frequenza) indicate sull'etichetta dell'unità
- Non usare l'unità se il cavo elettrico è logorato o danneggiato.
- Collegare sempre l'unità ad una presa elettrica con messa a terra
- Usare solo parti di ricambio e cavi elettrici originali.
- **Avvertenza!** Non usare questa apparecchiatura in presenza di umidità o sul bagnato.
- **Avvertenza!** Staccare la spina dall'unità prima di eseguire l'operazione di pulizia o di manutenzione.
- **Avvertenza!** Prima della pulizia, rimuovere il cavo di alimentazione dal riscaldatore. Pulire solamente con un panno bagnato.
- **Avvertenza!** Evitare assolutamente che il riscaldatore o il termometro si bagnino.
- **Avvertenza!** Staccare il cavo di alimentazione prima di rimuovere il riscaldatore dallo sportello.
- **Avvertenza!** La copertura interna del riscaldatore deve essere rimossa solo da personale autorizzato dalla Cambro o da un tecnico specializzato.
- Durante il funzionamento normale, controllare almeno una volta la settimana che le viti siano correttamente serrate.
- Eventuali problemi non individuati e corretti con le istruzioni riportate in questo manuale vanno riferiti a personale qualificato alla manutenzione (un elettricista o un tecnico specializzato).



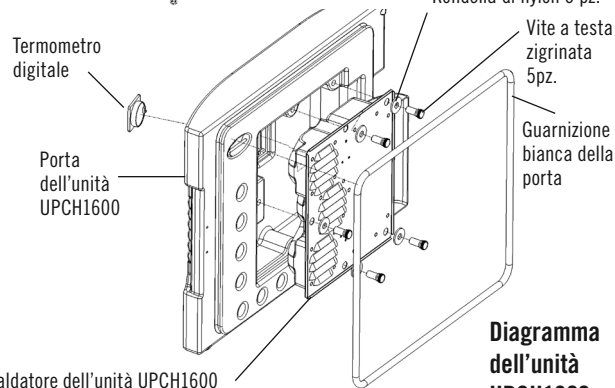
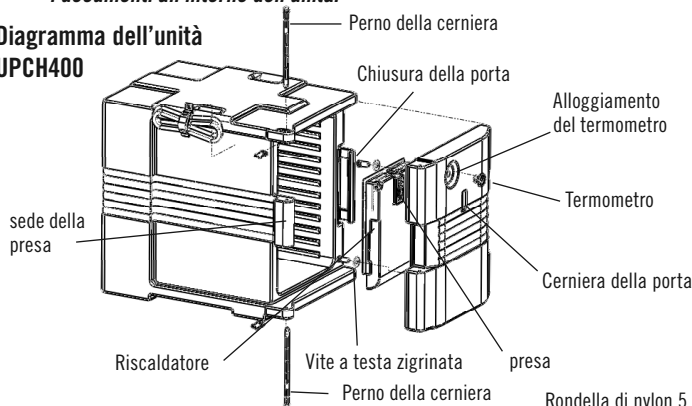
NOTA: per la manutenzione, contattare la Cambro al numero verde (800) 854 7631, interno 4118 (valido solo in USA). La manutenzione di unità in garanzia deve essere fatta solamente da tecnici autorizzati da Cambro.

III. Assemblaggio e viste esplose dei prodotti

Per comodità del cliente, tutti i prodotti UPCH400, UPCH800 e UPCH1600 sono consegnati già assemblati; pertanto, non è necessario alcun assemblaggio.

NOTA: prima di usare il prodotto, rimuovere il nastro dell'imballaggio, le etichette o i documenti all'interno dell'unità.

Diagramma dell'unità UPCH400



Riscaldatore dell'unità UPCH1600 porta a 110V o 220V

Diagramma dell'unità UPCH1600

IV. Istruzioni per l'uso

NOTA: le unità sono realizzate solamente per contenere cibi caldi preriscaldati. **NON usare MAI** le unità per preriscaldare o riscaldare i cibi.

AVVERTENZA! Non usare mai le unità in ambienti bagnati o umidi. Vedere la Sezione II per le istruzioni di sicurezza e le avvertenze.

- Collegare la spina ad una presa di corrente da 100-120 V AC (modelli UPCH400/800/1600) o da 200-230V AC (modelli UPCH4002/8002/16002) a 50/60 HZ. L'etichetta del prodotto, affissa sull'unità riscaldante dentro la porta, indica chiaramente le informazioni sull'alimentazione elettrica (vedere di seguito alcuni esempi di etichetta).
- La spia luminosa rossa sul davanti dello sportello riscaldato indica l'attivazione dell'alimentazione per i modelli UPCH400 e UPCH800 – non esiste alcun interruttore per l'alimentazione; l'unità si accende automaticamente quando la spina è inserita nella presa di corrente. Nel modello UPCH1600 l'alimentazione viene attivata azionando l'interruttore situato sul davanti della porta riscaldata; l'interruttore diventa rosso quando l'alimentazione è attivata. Una spia luminosa di colore ambra sullo stesso interruttore indica che il riscaldatore è in funzione. Questa spia rimane accesa fino a quando il riscaldatore raggiunge la temperatura impostata dalla fabbrica, poi si spegne.
NOTA – durante il funzionamento, il riscaldatore si accenderà e spegnerà secondo necessità, per mantenere le temperature impostate dalla fabbrica.
- Prima di caricare i cibi caldi, preriscaldare per 45 minuti il vano delle unità con la porta chiusa. Quando il termometro interno allo sportello indica 65°C, inserire le bacinelle con i cibi caldi nel contenitore o nel carrello e chiudere la porta. **NOTA:** raffreddare bacinelle o teglie metalliche a 120°C circa prima di inserirle nelle guide del contenitore.
- Quando si trasporta un contenitore o un carrello pieno di cibi caldi, prima di mettersi in movimento, staccare i cavi e metterli nell'apposito raccogli-cavo sul fianco del contenitore o carrello. Le unità isotermeche manterranno caldi i cibi per più di 4 ore dopo che è stata staccata la spina dalla presa di corrente*.
- Se necessario, aprire lo sfiato sullo sportello per far fuoriuscire umidità e vapore (solo sugli sportelli delle unità UPCH400 e UPCH800). Afferrare e tirare lo sfiato fino a quando si sente un clic. Per chiudere lo sfiato, spingerlo fino a quando si sente un clic. I modelli UPCH1600 hanno uno sfiato passivo incorporato.

*In base a test eseguiti con bacinelle H-Pans profonde 10 cm con coperchi GripLids®, riempite con circa 14 L di acqua calda a 88°C, tenute nel vano dell'unità con lo sportello chiuso. La temperatura dell'acqua è scesa a 84°C dopo 4 ore.



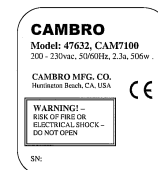
UPCH400, UPCH800 (110V)



UPCH4002, UPCH8002 (220V)



UPCH1600 (110V)



UPCH16002 (220V)

Istruzioni per il ripristino dei riscaldatori UPCH

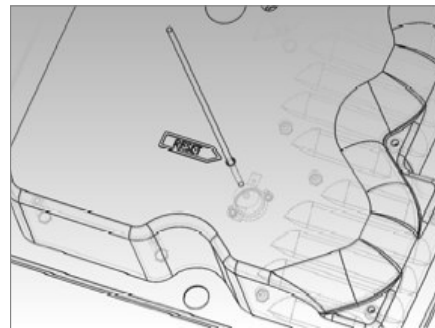
Istruzioni: questo documento riguarda solo i riscaldatori con termostato di sicurezza resettabile manualmente. I riscaldatori con questa caratteristica sono provvisti di un foro di accesso sulla copertura dell'unità riscaldante e di un'etichetta indicante "RESET" accanto al foro stesso.

NOTA - Il funzionamento normale del riscaldatore è regolato da un "termostato di controllo" a ciclo automatico. Il guasto del termostato di controllo può causare l'innalzamento della temperatura all'interno del contenitore Cambro che può danneggiare la plastica. Un termostato di sicurezza resettabile manualmente e impostato su 90,6°C è incorporato nel circuito del riscaldatore. Il dispositivo interrompe l'alimentazione al riscaldatore nell'unità riscaldante e non ne consente il normale funzionamento finché la temperatura non è inferiore a 85°C o non viene premuto il pulsante sul termostato di sicurezza. Altri fattori, quali il guasto di una ventola o l'inserimento di contenitori con temperature superiori a 87,8°C, possono far scattare il termostato di sicurezza.

ATTENZIONE - Pericolo di scossa elettrica!

Prima di tentare il ripristino del termostato sicurezza, staccare il cavo di alimentazione del riscaldatore dall'alimentazione. Usare solo strumenti "non metallici" per premere il pulsante. **Non escludere né alterare in alcun modo i termostati.**

- Staccare il cavo di alimentazione dalla presa di corrente a muro o di un alimentatore e dalla parte anteriore del riscaldatore.
- Aprire la porta del contenitore Cambro e sostenere il riscaldatore durante la rimozione delle 5 viti con le rondelle che fissano il riscaldatore al lato interno della porta. Ciò può essere fatto anche rimuovendo la porta dal contenitore Cambro.
- Dopo aver appoggiato il riscaldatore su una superficie stabile, con la parte metallica rivolta in basso, individuare il piccolo foro sulla copertura con accanto la dicitura RESET (la dicitura RESET potrebbe essere assente in alcune unità).
- Inserire nel foro un oggetto rotondo non metallico e con un piccolo diametro, per esempio un bastoncino di plastica, e premere il pulsante sul termostato di sicurezza, come illustrato sotto.
- Togliere l'oggetto usato per premere il pulsante e reinstallare il riscaldatore sullo sportello, riavvitando le viti con le rondelle.
- Collegare il cavo di alimentazione allo sportello e quindi alla fonte di alimentazione. Accendere il riscaldatore (se necessario) e verificare che si riscaldi fino alla temperatura normale



NOTA - Dopo aver ripristinato il termostato di sicurezza, verificare che tutte le ventole funzionino e che la temperatura non superi gli 85°C. Se le ventole non funzionano, il limite massimo scatterà di nuovo quando la temperatura nell'involucro del riscaldatore raggiunge il limite impostato. Se la causa originale era l'incapacità del termostato di sicurezza di limitare la temperatura a 76,7°C, il limite massimo scatterà di nuovo quando la temperatura nell'involucro del riscaldatore raggiunge il limite impostato. Se il riscaldatore non funziona dopo aver premuto il pulsante di ripristino, provare a premere di nuovo il pulsante, o se continua a non funzionare dopo un certo periodo di riscaldamento, non escludere né modificare in alcun modo i termostati ma contattare il rappresentante Cambro.

A. Riscaldatore e porta

AVVERTENZA: raffreddare completamente il riscaldatore prima della pulizia o della manutenzione.

AVVERTENZA: non immergere in acqua il riscaldatore, né spruzzare acqua su di esso.

AVVERTENZA: prima della pulizia, staccare la spina del riscaldatore dalla presa di corrente e dal riscaldatore della porta

1. Prestando attenzione, con una mano rimuovere le cinque viti a testa zigrinata in nylon e relative rondelle, tenendo fermo il riscaldatore con l'altra mano. **ATTENZIONE!** Una volta che si comincia ad allentare le viti a testa zigrinata il riscaldatore potrebbe cadere se non lo si tiene ben fermo con la mano. Per rimuovere il riscaldatore, è possibile anche rimuovere lo sportello e posarlo su una superficie piana. (Sez. VI)
2. Dopo che il riscaldatore è stato rimosso dallo sportello, pulire le parti e lo sportello con detergente delicato, acqua calda ed un panno morbido.
3. Sciacquare con un panno morbido e acqua calda pulita, per rimuovere sapone e sporco.
4. Asciugare completamente all'aria o con un panno morbido pulito e asciutto, prima di rimontare e usare il riscaldatore.
5. Con attenzione, mettere il riscaldatore nell'area incassata del lato interno dello sportello. Allineare la presa per il collegamento dell'alimentazione con il foro rettangolare attraverso lo sportello.
6. Usare le rondelle e le viti a testa zigrinata per montare di nuovo il riscaldare sullo sportello. Stringere con decisione, senza però eccedere, le viti a testa zigrinata. Non usare pinze o arnesi. Durante il normale funzionamento, controllare periodicamente che le viti a testa zigrinata siano tese.
7. Ispezionare la spina e il cavo; sostituire il cavo di alimentazione se sfilacciato o la spina se è piegata o rotta.
8. Se gli sportelli sono stati rimossi per la pulizia o la manutenzione, reinstallarli seguendo le istruzioni indicate nella Sezione VI.

B. Corpo del contenitore/carrello

1. Pulire con detergente delicato, acqua calda ed un panno morbido. **NON** usare detersivi contenenti ammoniaca o candeggina.
2. Lavare a mano con un panno morbido o spazzola tutte le superfici esterne ed interne. **NON** usare lana d'acciaio, spugne o spazzole abrasive.
3. Sciacquare il prodotto con acqua calda o tiepida per rimuovere sapone e sporco.
4. Pulire le guarnizioni con acqua calda insaponata, strofinare con un panno o una spazzola morbidi, sciacquare in acqua calda e asciugare all'aria.
5. Asciugare all'aria o asciugare il contenitore/carrello all'esterno e all'interno con un panno morbido, pulito e asciutto.

C. Ruote orientabili

La manutenzione delle ruote orientabili deve essere eseguita dopo ogni operazione di pulizia.

1. Lubrificare la sede di ogni ruota con un lubrificante tipo Lubriplate #930-AA, Keystone #84EPXLT multiuso o equivalente. Applicare il lubrificante con una pistola apposita munita di adattatore a punta d'ago o un applicatore tipo Sta-lube Moly-graph Assembly Lube (fig. 1), reperibile in qualsiasi negozio di ricambi auto
2. Usare un olio leggero tipo WD-40 sul mozzo (fig. 2). Controllare che le ruote non siano danneggiate e che girino nelle varie direzioni prima di rimontarle.

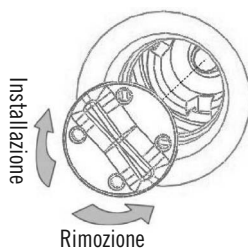


Fig. 6



Fig. 7

Diagramma dello sfiato a scomparsa



D. Cappuccio e fermo sfiato a scomparsa (SOLO per i modelli UPCH400/UPCH800)

Per togliere lo sfiato:

1. Premere il cappuccio dello sfiato nella posizione di non sfiato.
2. Dal lato interno del coperchio o dello sportello, svitare il fermo in direzione antioraria. Tenere fermo il cappuccio sul lato "esterno" dello sportello per evitare la rotazione.
3. Dopo che il fermo è staccato dal cappuccio, tirare in alto il cappuccio fino a quando esce completamente dall'apertura di sfiato.
4. Mettere in ammollo, e lavare con acqua tiepida insaponata (usare solo detersivi delicati), quindi lasciare asciugare all'aria oppure usando un panno morbido e pulito.

Per re-installare lo sfiato:

1. Mettere la parte del cappuccio nell'apertura di sfiato dalla parte esterna del coperchio o della porta spingendolo completamente nell'apertura fino a quando si ferma (nella posizione di non sfiato).
2. Dal lato interno del coperchio o della porta, avvitare il fermo dello sfiato in senso orario. Per evitare la rotazione, può darsi sia necessario tenere il cappuccio sul lato opposto dello sportello. Quando le due parti sono completamente collegate, interrompere l'avvitamento. **Non stringere oltre il necessario.**

Sostituzione di porte riscaldate Serie H danneggiate o non funzionanti o conversione di modelli non elettrici UPC400, UPC800, UPC1600 in unità elettriche UPCH400, UPCH800 o UPCH1600

Prima di procedere alla sostituzione e/o all'installazione, accertarsi di disporre dei seguenti articoli:

- 1 Porta con riscaldatore
- **NOTA:** queste porte devono essere installate sul contenitore superiore O su quello inferiore; **NON** sono intercambiabili. Prima dell'installazione, accertarsi di disporre del modello corretto. La parola TOP DOOR (porta superiore) o BOTTOM DOOR (porta inferiore) è stampata sul lato interno dello sportello, sullo snodo della cerniera. Il numero del modello del riscaldatore ed il numero di serie si trovano sull'etichetta del riscaldatore.
- 1 cavo di alimentazione rimovibile (110V o 220V, a seconda del modello).
- 1 cinghia per il cavo, 5 viti, 5 rondelle di finitura, 1 sagoma di posizionamento.

Attrezzi necessari per l'assemblaggio - cacciavite a stella (n.2) per la cinghia del cavo.



Fig. 1



Fig. 2



Fig. 3



Fig. 4



Fig. 5



Fig. 6a



Fig. 6b



Fig. 7a



Fig. 7b



Fig. 8a



Fig. 8b

1. Posare il contenitore o il carrello sul suo lato posteriore con lo sportello (o gli sportelli) rivolti verso l'alto. Localizzare e rimuovere il fermo (o i fermi) del perno della cerniera. Sui modelli UPC400 con un solo sportello, un fermo si trova in alto e l'altro è in basso sugli snodi della cerniera dello sportello (fig. 1). Sui modelli UPC800/UPCH800 e UPC1600/UPCH1600, un perno della cerniera si trova sopra la porta superiore, ed uno in basso sulla porta inferiore; inoltre, vi è un perno di rotazione in basso sulla porta superiore e sopra la porta inferiore.
2. Mentre ruotate la porta avanti e indietro, tirate fuori i perni della cerniera (fig. 2). Rimuovere i perni di rotazione. **Avvertenza!** Sorreggere sempre la porta perchè potrebbe cadere durante l'operazione di rimozione dei perni.
3. Rimuovere la porta dal corpo (fig. 3). La rimozione potrebbe essere difficoltosa; in questo caso, muovere la porta avanti ed indietro fino alla rimozione.
4. Mettere il nuovo sportello da installare in posizione, come mostrato (fig. 4), allineando gli snodi della cerniera.
5. Per prima cosa, mettere i perni nei fori della cerniera, allineando i fori del corpo con i fori dello sportello (fig. 5). Regolare la posizione dello sportello secondo necessità affinché tutti i perni possano entrare. Per i modelli UPC800/UPCH800 e UPC1600/UPCH1600, mettere quindi i perni di rotazione nei fori della cerniera. Regolare la posizione dello sportello o ruotarlo secondo necessità per consentire l'inserimento completo dei perni.
6. Quando i perni sono stati inseriti a fondo e la scanalatura è visibile fra lo sportello e il contenitore (fig. 6a), far scattare l'estremità a "U" del fermo del perno di cerniera nella scanalatura del perno. Far ruotare lo sportello in modo da spingere l'estremità a "V" sopra la nervatura appena dietro il foro della cerniera e verso l'area in cui viene conservato il cibo nel contenitore (fig. 6b). Questa operazione va eseguita sia nella posizione superiore che in quella inferiore della cerniera.
7. Usando la sagoma di posizionamento, contrassegnare e installare il porta cavo sul lato dell'unità, fermare la cinghia con la vite e la rondella in dotazione (figure 7a e 7b).
8. Infilare la spina del cavo rimovibile (fig. 8a) sulla porta del riscaldatore e fermare il resto del cavo nella cinghia (fig. 8b).

VII. Guida alla soluzione dei problemi

Avvertenza! Pericolo di scossa elettrica — Prima di eseguire la manutenzione, disconnettere l'unità dall'alimentazione elettrica. La soluzione di un qualsiasi problema di funzionamento non identificato e corretto secondo le istruzioni indicate nel presente manuale deve essere affidata a personale qualificato del servizio assistenza (elettricista o tecnico specializzato). Nessun problema interno del riscaldatore può essere risolto dall'utente. Il coperchio interno del riscaldatore deve essere sempre aperto solamente da personale qualificato del servizio di assistenza.

Problema	Cause possibili	Soluzioni possibili
La spina dell'unità è inserita ma l'unità non si scalda affatto.	<ul style="list-style-type: none">• Manca la corrente o la corrente è di quantità inadeguata.• Il cavo di alimentazione non è completamente connesso alla presa di corrente o al riscaldatore.• Il cavo di alimentazione è danneggiato.• L'unità di riscaldamento è danneggiata.	<ul style="list-style-type: none">• Controllare l'alimentazione fornita all'unità. Deve soddisfare i requisiti indicati sull'etichetta del riscaldatore.• Verificare che entrambe le spine del cavo di alimentazione siano inserite saldamente.• Sostituire sempre un cavo danneggiato con un cavo nuovo originale Cambro.• Sostituire l'unità di riscaldamento.
L'unità funziona da più di 1 ora ma non raggiunge la temperatura minima di 64°C.	<ul style="list-style-type: none">• Lo sportello non è completamente chiuso o manca la guarnizione• Il cavo di alimentazione è danneggiato ed alimenta ad intermittenza l'unità di riscaldamento.• Il termometro è danneggiato o non funziona correttamente.• L'unità di riscaldamento non funziona correttamente.	<ul style="list-style-type: none">• Verificare che lo sportello sia completamente chiuso e che sia presente la guarnizione.• Possono esserci piccoli sfiati che non alterano le prestazioni del contenitore.• Sostituire sempre un cavo danneggiato con un cavo nuovo originale Cambro.• Controllare la temperatura all'interno dell'unità con un termometro verificato, situato al centro dell'unità.• Controllare che le ventole non siano ostruite. Se non sono ostruite, sostituire l'unità di riscaldamento.
Odore persistente all'interno dell'unità.	<ul style="list-style-type: none">• Avvio iniziale dell'unità.• Cibo rimasto nel contenitore per un periodo di tempo eccessivo.	<ul style="list-style-type: none">• Per il primo utilizzo, collegare e far funzionare l'unità con lo sportello aperto per 1 ora per areare il contenitore• Inserirvi una vaschetta contenente acqua e bicarbonato di sodio e accendere il riscaldatore per 1 ora.• Se l'odore persiste contattare il servizio assistenza Cambro al numero (800) 833 3003.

VIII. Parti di ricambio

Per l'elenco completo delle parti di ricambio, visitare www.cambro.com. Sono necessari i codici del carrello o del contenitore Cambro e/o del riscaldatore per determinare la corretta parte di ricambio. Il codice del contenitore o del carrello si trova sul lato interno dello sportello o stampato in basso sul corpo dell'unità. Ogni riscaldatore ha un'etichetta con contrassegnati il numero di serie ed il codice del riscaldatore.

PER ORDINARE LE PARTI DI RICAMBIO:

- Chiamare il servizio clienti Cambro al numero verde (valido solo in USA) (800) 833 3003, oppure
- Inviare via fax l'ordine al numero (714) 842 3430, (solo un USA) oppure
- Rivolgersi al rappresentante o distributore Cambro della propria zona

IX. Garanzia Cambro e responsabilità del fabbricante

GARANZIA ORIGINALE LIMITATA PER APPARECCHIATURE ELETTRICHE COMMERCIALI

Cambro Manufacturing garantisce i suoi nuovi prodotti per il periodo di un (1) anno dalla data di spedizione dalle sedi di distribuzione autorizzate CAMBRO.

La presente garanzia è soggetta alle condizioni e alle limitazioni seguenti:

1. Questa garanzia è limitata ai prodotti venduti da Cambro Manufacturing all'acquirente originale negli Stati Uniti continentali e in Canada. Per rivendicazioni di garanzia da parte di clienti esteri, rivolgersi al rappresentante Cambro della propria zona.
 2. La responsabilità di Cambro Manufacturing è limitata alla riparazione o sostituzione di parte o parti che risultino difettose. Pezzi di ricambio o manodopera necessaria per la manutenzione preventiva o la pulizia non sono coperte da garanzia.
 3. Cambro Manufacturing si farà carico delle normali spese sostenute nella riparazione del prodotto in garanzia entro 80 chilometri da un'agenzia di servizio autorizzata. Il tempo e le spese di viaggio superiore 80 chilometri saranno a carico del richiedente. Ogni lavoro destinato alla riparazione e/o alla manutenzione delle unità in garanzia deve essere fatto durante l'orario normale di lavoro. Eventuale lavoro fatto in ore straordinarie sarà addebitato all'acquirente e NON è coperto da questa garanzia
 4. Spese sostenute a causa di ritardi o di limitazioni operative che impediscono al tecnico della manutenzione di accedere all'unità in questione o di eseguire la manutenzione NON sono coperte da questa garanzia. Questa clausola comprende strutture istituzionali, carcerarie, militari e della marina.
 5. Cambro Manufacturing non sarà da ritenersi responsabile verso prodotti che sono stati manipolati erroneamente, usati in modo improprio, sottoposti all'azione di agenti chimici danneggiati da alluvione, incendio o altri eventi naturali, modificati da personale non autorizzato o che hanno numeri di serie alterati o mancanti.
 6. Cambro Manufacturing non autorizza l'uso di questi prodotti per impieghi non commerciali, compreso l'uso in ambiente domestico. L'uso o l'installazione di prodotti in impieghi non commerciali rende nulle tutte le garanzie, esplicite o implicite, comprese le garanzie di COMMERCIALITÀ e di IDONEITÀ AD UNO SCOPO PARTICOLARE. Cambro non sarà responsabile per danni, costi ed azioni legali risultanti dall'uso o dall'installazione dei contenitori in ambienti non commerciali.
 7. Regolazioni quali calibrage, livellamento, tenuta di dispositivi di fissaggio o collegamenti ai servizi pubblici, relative all'installazione originale, sono di responsabilità del rivenditore o dell'installatore, e non della Cambro Manufacturing. L'installazione impropria comprende l'uso di cavi elettrici inadeguati e/o tensione insufficiente o impropria.
 8. Le parti di ricambio che vengono sostituite da tecnici autorizzati CAMBRO saranno garantite SOLO per il periodo più lungo fra la durata della garanzia dell'unità e 90 giorni dalla data dell'installazione. Questa garanzia copre solo il costo delle parti e non comprende le spese di trasporto o di manodopera.
 9. Quanto sopra esprime il rimedio esclusivo verso Cambro Manufacturing relativamente ai prodotti, sia in accordo che in disaccordo o ai sensi di qualsiasi altra teoria legale, e sia che derivi da garanzie, dichiarazioni, istruzioni, installazioni o da difetti da qualsiasi genere. Cambro Manufacturing non sarà responsabile, per nessuna teoria legale, di mancato uso, ricavo o profitto, o per uso sostitutivo o prestazioni, o di danni incidentali, indiretti, speciali o consequenziali, né di altra perdita o altro costo simile.
 10. QUESTA GARANZIA, LE DICHIARAZIONI E I TERMINI QUI INDICATI SONO ESCLUSIVI, E SOTTOSCRIVONO OGNI ALTRA GARANZIA E RESPONSABILITÀ, COMPRESE MA NON LIMITATE AD ALTRE GARANZIE ESPLICITE O IMPLICITE DI COMMERCIALITÀ E IDONEITÀ AD UNO SCOPO PARTICOLARE, E COSTITUISCONO LA SOLA GARANZIA DI CAMBRO MANUFACTURING PER QUESTI PRODOTTI.
- POLITICA PER LA RESTITUZIONE:** i prodotti della Cambro Manufacturing non possono essere restituiti senza l'autorizzazione scritta alla restituzione (RMA). È previsto un addebito del 15% per il reimmagazzinaggio del prodotto, oltre ad eventuali spese per il ricondizionamento del prodotto stesso. Nessuna restituzione viene accettata dopo 90 giorni dalla data di fatturazione. Le parti elettriche restituite sono soggette ad ispezione prima dell'emissione del credito. Le parti elettriche che sono state installate da un operatore o da un tecnico non autorizzato non sono restituibili e non vengono accreditate.

Dieses Bedienerhandbuch gilt für alle Modellvariationen der folgenden Kategorien:

Ultra Pan Carrier® H-Serie

UPCH400 / 4002

Ultra Camcart® H-Serie

UPCH800 / 8002

UPCH1600 /16002

Beheizte Ersatztüren NUR als Austauschteile oder die Nachrüstung nicht elektrischer Ultra Pan Carrier oder Ultra Camcarts

Hinweis: Alle Modelle, die auf „2“ enden, sind 220V-Modelle. Alle Anweisungen in diesem Benutzerhandbuch gelten für 110V- und 220-V-Modelle.



UPCH400
UPCH4002



UPCH1600
UPCH16002



UPCH800
UPCH8002

CAMBRO®
TRUSTED FOR GENERATIONS™

CAMBRO U.S.A.
5801 Skylab Road, Huntington Beach, CA 92647
P.O. Box 2000, Huntington Beach, CA 92647-2000
TEL: (714) 848 1555 FAX: (714) 843 2630

GERMAN
TEL: (49) 7024 9721 0
FAX: (49) 7024 9721 19
cambrogermany@cambro.com

Sprachen

English	1
Español.....	5
Français.....	9
Italiano	13
Deutsch	17
Polski.....	21
Русско.....	25
日本語.....	29
中文.....	33

I. Einführung

Herzlichen Glückwunsch zum Kauf Ihres neuen elektrisch beheizten Ultra Pan Carriers oder Ultra Camcarts von Cambro! In diesem Benutzerhandbuch finden Sie eine schrittweise Anleitung für den Betrieb und die Instandhaltung Ihres neuen isolierten Transporters. Falls Sie Fragen haben, wenden Sie sich bitte an Ihren örtlichen Cambro-Vertreter, besuchen Sie unserer Website www.cambro.com oder rufen Sie unseren Kundendienst unter der Nummer (800) 833 3003 an. Internationaler Kundendienst:(714) 848 1555.

II. Sicherheitshinweise

WICHTIG: Vor Inbetriebnahme bitte alle Anweisungen aufmerksam durchlesen und zur späteren Verwendung aufbewahren.

- Alle am Gerät angebrachten Warnhinweise beachten.
- Stromversorgung: nur wie auf dem Typenschild angegeben (Spannung, Phase, Frequenz).
- Nicht benutzen, wenn das Stromkabel zerfranst oder beschädigt ist.
- Gerät nur an eine vorschriftsmäßig geerdete Stromquelle anschließen.
- Nur mit vom Hersteller zugelassenem Stromkabel und Ersatzteilen benutzen.
- **Achtung!** Das Gerät nicht in nassen oder feuchten Umgebungen benutzen.
- **Achtung!** Vor der Reinigung oder Wartung von der Stromversorgung trennen.
- **Achtung!** Heizplatte vor der Reinigung von der Stromversorgung trennen. Nur mit einem feuchten Tuch abwischen.
- **Achtung!** Achten Sie unbedingt darauf, dass die Heizvorrichtung und das Thermometer nicht nass werden.
- **Achtung!** Vor Entfernen der Heizplatte aus der Tür das Stromkabel ziehen.
- **Achtung!** Die innere Abdeckung der Heizplatte darf nur von autorisierten Wartungstechnikern von Cambro oder ausgebildeten Servicetechnikern geöffnet werden.
- Bei normalem Betrieb die Nylonschrauben der Heizplatte von Zeit zu Zeit auf festen Sitz überprüfen.
- Betriebsprobleme, die nicht mit Hilfe der Angaben in diesem Benutzerhandbuch identifiziert oder behoben werden können, müssen von ausgebildeten Servicetechnikern repariert werden (Elektriker oder Techniker für Gastronomiegeräte).

CAUTION – HOT SURFACE

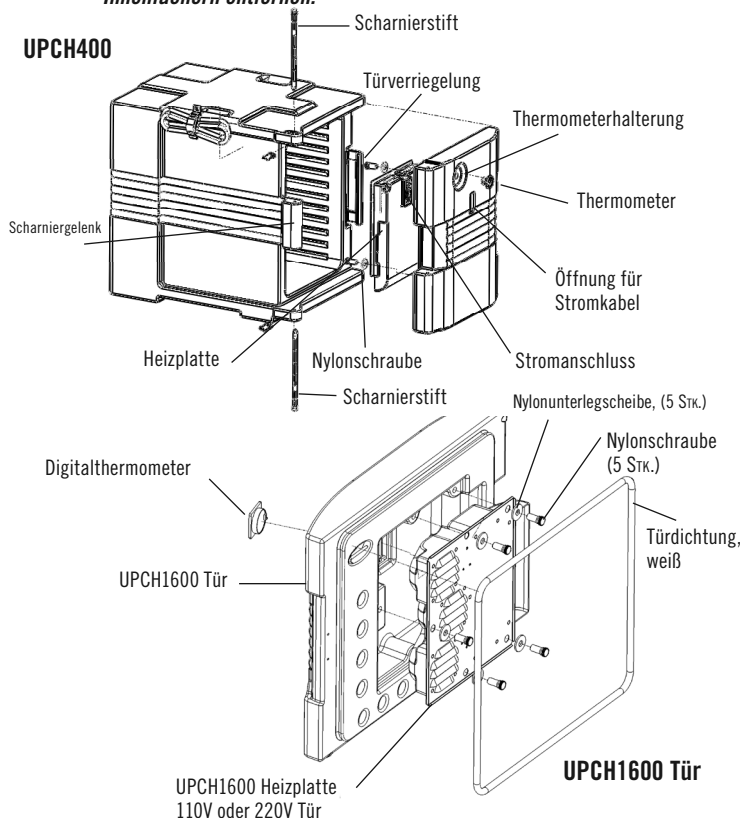


HINWEIS: Für Wartungsarbeiten, kontaktieren Sie bitte den Cambro Kundendienst unter (800) 854 7631 DW 4118. Geräte, die sich unter Garantie befinden sollten nur von einem autorisierten Wartungsmechaniker von Cambro gewartet werden.

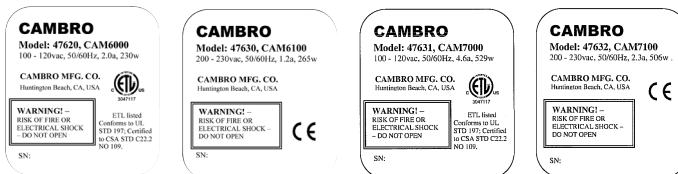
III. Gesamtansicht und Explosionszeichnung

Alle UPCH400, UPCH800 und UPCH1600-Produkte werden im Werk fertig montiert. Keine weitere Montage erforderlich.

HINWEIS: Klebeband, Etiketten und Dokumente vor Inbetriebnahme aus den Innenfächern entfernen.



*Basierend auf einem Test mit 10 cm tiefen H-Schalen mit GripLids®, die mit ca. 14 Litern 88 °C heißem Wasser gefüllt wurden und bei geschlossener Tür aufbewahrt wurden. Die Wassertemperatur sank in 4 Stunden auf 84 °C.



UPCH400, UPCH800 (110V) UPCH4002, UPCH8002 (220V) UPCH1600 (110V) UPCH16002 (220V)

Anweisungen zum Zurücksetzen von UPCH-Heizungen

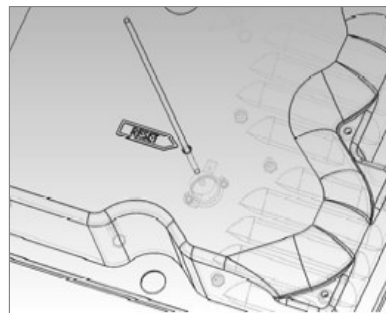
Anleitung: Dieses Dokument gilt nur für Türheizungen, die mit einem manuell zurücksetzbaren Überhitzungsthermostat ausgestattet sind. Bei Türheizungen mit dieser Funktion ist an der Rückseite des Türheizungsgehäuses ein Zugangslloch angebracht, das mit dem Aufdruck „RESET“ etikettiert ist.

HINWEIS: Der normale Betrieb der Türheizung wird durch einen automatischen „Temperaturregler“ kontrolliert. Bei Ausfall des Temperaturreglers kann die Temperatur im Innern des Cambro Produkts auf Temperaturen ansteigen, die für Kunststoff zu heiß sind. In den Heizungskreis ist ein manuell zurücksetzbares Überhitzungsthermostat eingebaut, das auf 90,6°C eingestellt ist. Dieses Gerät unterbricht die Stromzufuhr zur Heizung in der Warmhalteeinheit und schaltet erst wieder auf Normalbetrieb, wenn die Temperatur unter 85°C abgesunken ist und der Knopf am Überhitzungsthermostat gedrückt wird. Weitere Faktoren können dazu führen, dass das Überhitzungsthermostat abschaltet, wie z.B. Ventilatorausfall oder wenn Speisen in das Fach gestellt werden, die heißer als 87,8°C sind.

VORSICHT: Stromschlaggefahr!

Vor dem Versuch, das Überhitzungsthermostat zurückzusetzen, das Netzkabel der Heizung aus der Netzsteckdose ziehen. Zum Zurücksetzen des Reset-Knopfes nur Hilfsmittel verwenden, die nicht aus Metall bestehen. **Die Thermostate auf keinen Fall umgehen oder umbauen.**

1. Netzkabel aus der Wandsteckdose bzw. Stromversorgung ziehen und das andere Ende aus der Vorderseite der Heizung abziehen.
2. Die Tür des Cambro Produkts öffnen und die Heizung gut festhalten, während die 5 Nylonschrauben mit Unterlegscheiben, die die Heizung an der Türinnenfläche festhalten, entfernt werden. Dies kann auch nach dem Abbauen der Tür vom Cambro Produkt erfolgen oder indem eine weitere Person die Heizung für Sie festhält.
3. Nachdem die Heizung mit dem Metallteil nach unten auf einer soliden Fläche abgelegt wurde, das kleine runde, mit „RESET“ beschriftete Loch im Gehäuse ausfindig machen. (U.U. ist nicht auf allen Einheiten ein mit „RESET“ beschriftetes Etikett zu finden.)
4. Einen Gegenstand mit kleinem rundem Durchmesser (z.B. einen Plastik-Rührhalm) in das Loch einführen und den Knopf des Überhitzungsthermostats wie in der Abbildung unten dargestellt drücken.
5. Den Gegenstand, der zum Drücken des Knopfes verwendet wurde, entfernen und die Heizung wieder an der Tür befestigen; hierzu die Schrauben mit den Unterlegscheiben wieder anbringen und festziehen.
6. Das Netzkabel an der Vordertür und dann an der Netzsteckdose bzw. Stromversorgung anschließen. Die Heizung (falls gewünscht) einschalten und sicherstellen, dass sie sich auf die normale Temperatur erhitzt.



HINWEIS: Nach dem Zurücksetzen des Überhitzungsthermostats bitte sicherstellen, dass alle Ventilatoren funktionieren und dass die Temperatur nicht über 85°C ansteigt. Falls die Ventilatoren nicht funktionieren, wird das Überhitzungsthermostat erneut aktiviert, nachdem das Warmhaltegehäuse auf die entsprechende Temperatur erhitzt wurde. Falls die Fehlfunktion darauf zurückzuführen ist, dass der Temperaturregler die Temperatur nicht auf 76,7°C begrenzt, wird das Überhitzungsthermostat erneut aktiviert, nachdem das Warmhaltegehäuse auf die entsprechende Temperatur erhitzt wurde. Falls die Heizung nach dem Drücken des Reset-Knopfes nicht funktioniert, versuchen Sie diesen Vorgang erneut, oder, wenn die Heizung nach einiger Zeit wieder nicht funktioniert, setzen Sie sich mit dem zuständigen Cambro-Vertreter in Verbindung. **Versuchen Sie auf keinen Fall, die Thermostate zu umgehen.**

IV. Betriebsanleitung

HINWEIS: Die Thermoporte sind nur zur Aufbewahrung bereits erhitzter Speisen vorgesehen. NIEMALS zum Erhitzen oder Aufwärmen von Speisen benutzen.

WARNUNG! Das Gerät nicht in nassen oder feuchten Umgebungen benutzen. Siehe auch Abschnitt II für Sicherheits- und Warnhinweise.

1. Den Informationen auf der Heizplatte entsprechend an die Stromversorgung anschließen: 100-120 V~ (UPCH400/800/1600) oder 200-230V~ (UPCH4002/8002/16002), 50/60 Hz. Das Produktetikett auf der Heizplatte an der Innenseite der Tür enthält die Angaben zur Stromversorgung an (siehe Beispiele unten).
2. An den Modellen UPCH400 und UPCH800 zeigt eine rote Lampe an der Vorderseite der Heizzür an, dass der Schrank mit Strom versorgt wird. Es gibt keinen Netzschalter; das Gerät schaltet sich bei Anschluss an die Stromversorgung automatisch ein. Am Modell UPCH1600 wird der Strom mit dem Netzschalter an der Vorderseite der Heizzür angeschaltet, der in AN-Stellung rot leuchtet. Eine gelbe Lampe am gleichen Schalter leuchtet, wenn die Heizplatte eingeschaltet ist. Diese Lampe leuchtet bis die Heizplatte die im Werk voreingestellte Solltemperatur erreicht hat, und erlischt danach. **HINWEIS** – die Heizplatte schaltet sich bei Betrieb je nach Notwendigkeit ein und aus, um die Solltemperatur beizubehalten.
3. Vor dem Beladen mit heißen Speisen die leeren Fächer bei geschlossenen Türen 45 Minuten aufheizen. Wenn das Thermometer in der Tür 65 °C anzeigt, die Speisenschalen in den Carrier oder Cart einschieben und die Tür(en) fest schließen. **HINWEIS:** Kalte Metallschalen oder Bleche vor dem Aufschieben auf die Kunststoffschienen auf 121,1 °C aufheizen.
4. Beim Transport des Carriers/Carts mit heißen Speisen, das/die Stromkabel ziehen und mit dem Kabelgurt an der Seite des Carriers oder Carts vor dem Transport befestigen. Wärmeisolierte Transporter halten Speisen über 4 Stunden mit gezogenem Kabel warm*.
5. Falls notwendig, die Belüftungsklappe in der Tür öffnen, um Feuchtigkeit/Dampf abzulassen (nur in Türen der Modelle UPCH400 und UPCH800). Die Klappe fest greifen und bis zum Klicken nach außen ziehen. Um die Öffnung zu schließen, die Klappe bis zum Klicken herunterdrücken. Die Modelle der Serie UPCH1600 haben eine eingebaute passive Belüftung.

V. Pflege und Wartung

A. Heizplatte und Tür

WARNUNG! Die Heizplatte vor Pflege oder Wartung vollständig abkühlen lassen.

WARNUNG! Nicht in Wasser eintauchen oder mit Wasser benetzen.

WARNUNG! Die Heizplatte vor der Reinigung von der geerdeten Stromversorgung und der Tür trennen.

1. Die fünf Nylonschrauben und Unterlegscheiben vorsichtig mit einer Hand lösen und die Heizplatte dabei mit der anderen Hand festhalten. **VORSICHT!** Beim Lösen der Nylonschrauben kann die Heizplatte herunterfallen, wenn sie nicht festgehalten wird. Die Tür kann auch abgenommen und mit der Vorderseite nach unten auf eine flache Oberfläche gelegt werden, um die Heizplatte zu entfernen. (Abschnitt VI)
2. Nach Entfernung der Heizplatte aus der Tür die Fächer und die Tür mit einem milden Geschirrspülmittel, heißem Wasser und einem weichen Tuch reinigen.
3. Die Flächen mit heißem, sauberem Wasser abspülen, um Spülmittelreste und Schmutz zu entfernen.
4. Vor dem Zusammenbau und Wiedergebrauch der Heizplatte alle Teile mit einem trockenen, sauberen Tuch vollständig abtrocknen.
5. Die Heizplatte vorsichtig in die Vertiefung der Innenseite der Tür wie gezeigt einlegen. Die Öffnung für das Stromkabel muss sich mit der rechteckigen Öffnung in der Tür decken.
6. Die Heizplatte mit Unterlegscheiben und Nylonschrauben wieder an der Tür befestigen. Die Nylonschrauben fest aber nicht zu fest anziehen. Keine Zange oder Werkzeuge benutzen. Bei Normalbetrieb die Nylonschrauben von Zeit zu Zeit auf festen Sitz überprüfen.
7. Den Zustand des Stromkabels und des Steckers regelmäßig überprüfen und Stromkabel auswechseln, wenn das Kabel beschädigt ist oder Steckerkontakte fehlen, verbogen oder beschädigt sind.
8. Falls die Tür zu Reinigungs- oder Wartungszwecken entfernt wurde, gemäß den Anweisungen in Abschnitt VI wieder installieren.

B. Carrier-/Cart-Rahmen

1. Mit einem milden Geschirrspülmittel, heißem Wasser und einem weichen Tuch reinigen. **KEINE** Reinigungsmittel benutzen, die Ammoniak oder Bleichmittel enthalten.
2. Die Innen- und Außenflächen mit einem weichen Tuch oder einer weichen Bürste reinigen. **KEINE** Stahlwolle oder aggressive Scheuermittel oder harte Bürsten verwenden.
3. Die Flächen mit warmem bis heißem Wasser abspülen, um Spülmittel und Schmutz zu entfernen.
4. Dichtungen in einen Behälter oder ein Waschbecken mit heißem Wasser und Geschirrspülmittel legen, mit einem weichen Tuch oder einer weichen Bürste reinigen und mit einem weichen Tuch abtrocknen.
5. Carrier bzw. Cart an der Luft trocknen lassen und die Innenflächen mit einem sauberen, trockenen, weichen Tuch trocknen.

C. Rollen

Die Rollen sollten nach jeder Reinigung gewartet werden.

1. Die Laufringe der Rollen mit Lubriplate #930-AA, Keystone #84EPXLT oder einem gleichwertigen universellen Schmierfett schmieren. Das Schmierfett mit einer Fettpresse mit einem Nadeladapter oder einem Schlauchapplikator wie Sta-lube Moly-graph Assembly Lube (Abb. 6) auftragen. Diese Teile sind in einschlägigen KFZ-Werkstätten erhältlich.
2. Die Nabe mit einem Leichtöl wie WD-40 schmieren (Abb. 7). Laufrollen auf Beschädigungen überprüfen, Bewegung und Drehfähigkeit der Laufrollen prüfen bevor der Transporter wieder in Betrieb genommen wird.



Abb. 6

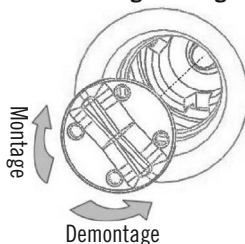


Abb. 7

D. Belüftungskappe und Bolzen (NUR für Modelle UPCH400/UPCH800) Demontage:

1. Die Belüftungskappe in die geschlossene Stellung herunterdrücken.
2. Von der Unter- oder Innenseite der Abdeckung oder Tür aus den Bolzen gegen den Uhrzeigersinn lösen. Die Kappe dabei an der Außenseite der Tür festhalten, damit sie sich nicht mitdreht.
3. Wenn der Bolzen von der Kappe getrennt ist, die Kappe vollständig aus der Belüftungsoffnung herausziehen.
4. In warmes Wasser mit einem milden Geschirrspülmittel einweichen und/oder reinigen und lufttrocknen oder mit einem weichen Tuch abtrocknen.

Belüftungsoffnung



Montage:

1. Die Kappe von oben oder von der Außenfläche der Abdeckung oder Tür in die Belüftungsoffnung bis zum Anschlag in die Öffnung drücken (nichtbelüftende Stellung).
2. Von der Unter- oder Innenseite der Abdeckung oder Tür den Bolzen im Uhrzeigersinn einschrauben. Die Kappe dabei ggf. an der Außenseite der Tür festhalten, damit sie sich nicht mitdreht. Wenn beide Teile vollständig verbunden sind, nicht weiterdrehen. **Nicht zu fest anziehen.**

VI. Installation der elektrisch beheizten Türen der H-Serie

(Zum Auswechseln vorhandener Heizzüren der H-Serie oder die Aufrüstung nicht elektrischer Modelle UPC400, UPC800, UPC1600 auf elektrische Modelle UPCH400, UPCH800 oder UPCH1600).

Vor dem Wechsel/der Installation überprüfen, dass folgende Teile vorhanden sind:

- 1 Tür mit Heizplatte
HINWEIS: Diese Türen sind für das Ober- oder Unterteil des Schrankes konzipiert und sind nicht miteinander austauschbar. Vergewissern Sie sich vor der Installation, dass Sie das korrekte Modell haben. Auf der Innenseite der Tür auf dem Scharniergelenk ist das Wort TOP DOOR (oben) oder BOTTOM DOOR (unten) eingeprägt. Die Modell- und Seriennummer der Heizplatte sind auf dem Typenschild der Heizplatte angegeben.
- 1 abnehmbares Stromkabel (110V oder 220V, je nach Modell).
- 1 Kabelgurt und je 1 Schraube und Unterlegscheibe und Positionsschablone.
Erforderliche Werkzeuge – (#2) Kreuzschraubendreher für den Kabelgurt.



Abb. 1



Abb. 2



Abb. 3



Abb. 4



Abb. 5



Abb. 6a

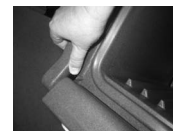


Abb. 6b



Abb. 7a



Abb. 7b

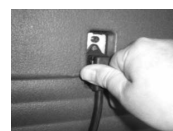


Abb. 8a



Abb. 8b

1. Den Schrank oder Carrier mit der Tür/den Türen nach oben auf den Rücken legen. Scharnierclip(s) finden und entfernen. An eintürigen Modellen des UPC400 befindet sich ein Clip oben und ein zweites unten an den Scharniergelenken (Abb. 1). An den Modellen UPC800/UPCH800 und UPC1600/UPCH1600 befindet sich jeweils oben an der oberen Tür und unten an der unteren Tür ein Scharnierstift, und jeweils ein Drehzapfen unten an der oberen Tür und oben an der unteren Tür.
2. Die Tür vor- und zurückdrehen und die Scharnierstifte dabei herausziehen (Abb. 2). Drehzapfen ebenfalls entfernen.
Achtung! Die Tür festhalten bis sie lose ist und abgenommen werden kann.
3. Die Tür vom Gehäuse abnehmen (Abb. 3). Sie sitzt unter Umständen ziemlich fest und es erfordert einige Kraft, um sie zu lösen.
4. Die neue Tür wie auf der Abbildung dargestellt aufsetzen (Abb. 4) und die Scharniergelenke ausrichten.
5. Die Stifte in die Scharnierlöcher einschieben und die Bohrlöcher des Gehäuses mit den Bohrlöchern der Tür ausrichten (Abb. 5). Die Tür soweit wie notwendig justieren bis sich alle Stifte einschieben lassen. Für Modelle UPC800/UPCH800 und UPC1600/UPCH1600, im nächsten Schritt die Drehzapfen in die Scharnierlöcher einschieben. Die Tür muss dazu ggf. entsprechend positioniert oder gedreht werden, damit alle Stifte vollständig eingeschoben werden können.
6. Wenn die Stifte vollständig eingeschoben sind und die Rille zwischen der Tür und dem Gehäuse sichtbar ist (Abb. 6a), das U-förmige Ende des Scharnierclips in die Rille des Stifts einschnappen. Die Tür so drehen, dass das V-förmige Ende über die eingegossene Rippe direkt hinter dem Scharnierloch in Richtung des Aufnahmebereichs der Speisen (Abb. 6b) gedrückt werden kann. Diesen Schritt am oberen und unteren Scharnier der Tür ausführen.
7. Die mitgelieferte Schablone dazu benutzen, die Anbringungsstelle für den Kabelgurt festzulegen, und den Kabelgurt mit der beigelegten Schraube und Unterlegscheibe befestigen (Abb. 7a und 7b).
8. Das abnehmbare Kabel anschließen (Abb. 8a) und überschüssige Länge im Kabelgurt sichern (Abb. 8b).

VII. Fehlerbehebung

Achtung! Verletzungsgefahr durch elektrische Spannung — Vor der planmäßigen Wartung von der Stromquelle trennen. Betriebsprobleme, die mithilfe dieses Handbuchs nicht identifiziert oder behoben werden können, müssen von ausgebildeten Servicetechnikern repariert werden (Elektriker oder Techniker für Gastronomiegeräte). Unter der inneren Abdeckung der Heizplatte befinden sich keine Teile, die vom Benutzer zu warten sind. Die innere Abdeckung der Heizplatte darf nur von ausgebildeten Servicetechnikern geöffnet werden.

Problem	Mögliche Ursachen	Mögliche Lösungen
Gerät ist angeschlossen, heizt jedoch nicht.	<ul style="list-style-type: none"> Keine oder unzureichende Stromversorgung. Stromkabel ist nicht fest mit der Stromquelle oder der Heizplatte verbunden. Defektes Stromkabel. Defekte Heizplatte. 	<ul style="list-style-type: none"> Überprüfen Sie die Stromversorgung zum Gerät. Sie sollte den auf dem Typenschild angegebenen Anforderungen entsprechen. Beide Enden des Stromkabels müssen fest angeschlossen sein. Beschädigte Stromkabel immer mit autorisierten Stromkabeln ersetzen. Heizplatte austauschen.
Gerät läuft über eine Stunde, ohne die Mindesttemperatur von 64°C zu erreichen.	<ul style="list-style-type: none"> Tür nicht vollständig geschlossen o. Dichtung fehlt. Defektes Stromkabel verursacht ungleichmäßige Stromversorgung. Thermometer ist defekt oder funktioniert nicht richtig. Heizplatte fehlerhaft. 	<ul style="list-style-type: none"> Sicherstellen, dass die Tür vollständig geschlossen und die Dichtung am Platz ist. Kleine Spalte sind OK und beeinträchtigen die Leistung nicht. Beschädigte Stromkabel immer mit autorisierten Stromkabeln ersetzen. Temperatur in der Mitte des Schanks mit einem validierten Thermometer messen. Gebläse auf Blockierungen prüfen. Wenn keine gefunden werden, die Heizplatte austauschen.
Anhaltender Geruch im Gehäuseinnern.	<ul style="list-style-type: none"> Erstmaliges Einschalten der Einheit. Zu lange im Fach gelassene Speisen. 	<ul style="list-style-type: none"> Beim erstmaligen Einschalten die Einheit 1 Stunde lang mit geöffneter Tür betreiben, um das Fach zu lüften. Eine Schale mit Wasser und Backsoda (Natriumbicarbonat) in das Fach stellen und die Heizung 1 Stunde lang einschalten. Wenn der Geruch weiter bestehen bleibt, setzen Sie sich bitte mit dem Cambro Kundendienst, Rufnummer (800) 833 3003.

VIII. Ersatzteile

Auf unserer Website www.cambro.com finden Sie eine vollständige Liste der notwendigen Ersatzteile. Zur Lieferung der richtigen Ersatzteile ist die Modellnummer des Cambro Cart oder Carrier und/oder der Heizplatte erforderlich. Die Modellnummer befindet sich in der Innenseite der Tür oder ist in den Boden des Gehäuses eingepreßt. Jede Heizplatte ist mit einer Seriennummer und Modellnummer gekennzeichnet.

BESTELLUNG VON ERSATZTEILEN:

- Telefonisch beim Cambro Kundendienst unter der Nummer (800) 833 3003 oder
- Per Fax: (714) 842 3430 oder
- Telefonisch beim Ihrem örtlichen Cambro-Vertreter oder Vertriebshändler

IX. Cambro Garantie Und Produkthaftungspflicht

BESCHRÄNKTE ERSTKÄUFERGARANTIE FÜR ELEKTRISCHE GERÄTE

Cambro Manufacturing garantiert für den Zeitraum von einem (1) Jahr nach Auslieferung durch einem autorisierten CAMBRO Vertriebshändler, dass neue Produkte frei von Material- und Verarbeitungsschäden sind.

Diese Garantie unterliegt folgenden Bedingungen und Einschränkungen:

1. Diese Garantie beschränkt sich auf Produkt(e), die von Cambro Manufacturing an Erstbenutzer in dem US-amerikanischen Kontinent und Kanada verkauft wurden. Für internationale Garantieansprüche, kontaktieren Sie bitte Ihren örtlichen Cambro-Vertreter.
 2. Die Haftpflicht von Cambro Manufacturing beschränkt sich auf die Reparatur oder den Austausch von Teilen, die als defekt befunden werden. Die Kosten für Teile und Arbeitsaufwand für vorbeugende Wartung und Reinigung sind von dieser Garantie nicht gedeckt
 3. Cambro Manufacturing übernimmt die normalen Kosten für Reparaturen oder den Austausch eines garantierten Teils, die in einem Radius von 80 Kilometern von einer autorisierten Servicestelle durchgeführt werden. Zeit und Fahrkosten für mehr als 80 Kilometer trägt die Person oder Firma, die die Leistung anfordert. Alle Reparatur- und/oder Wartungsarbeiten an den garantierten Geräten werden während der normalen Arbeitszeiten ausgeführt. Überstunden werden dem Käufer berechnet und sind NICHT von dieser Garantie gedeckt.
 4. Kosten durch Verzögerungen oder Betriebseinschränkungen, die den Zugang des Wartungstechnikers zum Gerät oder die Ausführung der Arbeiten verhindern, sind NICHT Bestandteil dieser Garantie. Dies gilt auch für Institutionen, Strafvollzugsanstalten, Militär- und Marineanlagen.
 5. Cambro Manufacturing übernimmt keine Verantwortung oder Haftpflicht für Produktschäden, die durch falsche Behandlung, Missbrauch, falsche Anwendung, falschen Gebrauch, Kontakt mit korrosiven Chemikalien, Flut, Feuer oder andere natürliche Ereignisse, oder aufgrund Modifizierungen durch unautorisiertes Personal entstehen oder deren Seriennummern geändert wurden oder fehlen.
 6. Cambro Manufacturing gibt keine Empfehlung bzw. Autorisierung für den Gebrauch der Produkte in nichtkommerziellen Anwendungen, insbesondere für den Heimgebrauch. Der Gebrauch oder die Installation jeglicher Produkte in nichtkommerziellen Anwendungen macht alle ausdrücklichen und stillschweigenden Garantien ungültig, einschließlich der Gewährleistung der MARKTGÄNGIGKEIT UND TAUGLICHKEIT UND EIGNUNG FÜR EINEN BESTIMMTEN ZWECK, einschließlich jeglicher Verantwortlichkeit für Schäden, Kosten und Rechtsstreitigkeiten, die durch den Gebrauch oder die Installation von Produkt(en) in einer nichtkommerziellen Umgebung verursacht werden.
 7. Justierungen wie Kalibrierungen, Nivellierung, Befestigungen oder das Anschließen von Versorgungsleitungen, die normalerweise Teil der Originalinstallation sind, liegen in der Verantwortung des Verkäufers oder Installateurs und nicht in der Verantwortung von Cambro Manufacturing. Falsche Installation umfasst insbesondere den Gebrauch unzulänglicher elektrischer Kabel und/oder die Versorgung mit unzulänglicher oder falscher Spannung.
 8. Ersatzteil(e), die im Außendienst NUR von autorisierten CAMBRO-Wartungstechnikern installiert werden, sind über die Dauer der Gerätegarantie oder 90 Tage ab dem Installationsdatum – je nachdem, welches zuerst eintritt – garantiert. Die Garantie gilt nur für Teilkosten und umfasst keine Fracht- und Arbeitskosten.
 9. Diese Garantie ist das alleinige und exklusive Rechtsmittel gegen Cambro Manufacturing in Beziehung auf das Produkt, ob aufgrund eines Vertrages, unerlaubter Handlung oder einer anderen Anspruchsgrundlage und entstehend aus Gewährleistungen und Zusicherungen, Anweisungen, Installationen oder Defekten aus jeglichem Grund. Cambro Manufacturing übernimmt keine Haftung gemäß jeglicher Rechtsauffassung, für entgangenen Gebrauch, Umsatz oder Gewinn oder substituierten Gebrauch oder Leistung sowie für beiläufige, indirekte, spezielle oder Folgeschäden oder alle anderen Verluste oder Kosten ähnlicher Art.
 10. DIESE GEWÄHRLEISTUNGEN UND ZUSICHERUNGEN UND HIERIN FESTGELEGTE BESTIMMUNGEN SIND EXKLUSIV UND TRETEN AN DIE STELLE ALLER ANDEREN GARANTIE UND HAFTPFLICHTEN, INSBESONDERE ANDERER AUSDRÜCKLICHER ODER STILLSCHWEIGENDER GARANTIE, INKLUSIVE MARKTGÄNGIGKEIT UND EIGNUNG FÜR EINEN BESTIMMTEN VERWENDUNGSZWECK, UND STELLT DIE EINZIGE GARANTIE VON CAMBRO MANUFACTURING HINSICHTLICH DER PRODUKTE DAR.
- RÜCKNAHMEGARANTIE:** Cambro Manufacturing Produkte dürfen nicht ohne vorherige schriftliche Werkautorisierung (RMA) zurückgegeben werden. Die Rücknahmegebühr beträgt 15% plus Kosten der Instandsetzung des Gerätes. Keine Rücknahmen nach 90 Tagen ab Rechnungsdatum. Elektrische Rückgabekomponenten werden vor Gewährung von Kredit geprüft. Elektrische Komponenten, die vom Bedienungspersonal oder einem unautorisierten Wartungstechniker installiert wurden, werden nicht gegen Kredit zurückgenommen.

PORADNIK UŻYTKOWNIKA

ELEKTRYCZNE TERMOSY PRZENOŚNE CAMBRO® ULTRA PAN CARRIER® SERII H, ULTRA CAMCART® SERII H I PODGRZEWANE DRZWICZKI ZAMIENNE

Ta instrukcja obsługi odnosi się do wszystkich odmian i modeli w następujących kategoriach:

Ultra Pan Carrier® seria H

UPCH400 / 4002

Ultra Camcart® seria H

UPCH800 / 8002

UPCH1600 / 16002

**Podgrzewane drzwiczki zamienne TYLKO
do wymiany lub jako ulepszenie nie-elektrycznych
modeli Ultra Pan Carriers i Ultra Camcarts**

Uwaga: Wszystkie modele z numerami kończącymi się cyfrą 2 są zasilane prądem 220V. Wszystkie podane tutaj instrukcje dotyczą modeli na 110V i 220V.



UPCH400
UPCH4002



UPCH1600
UPCH16002



UPCH800
UPCH8002

CAMBRO
TRUSTED FOR GENERATIONS™

CAMBRO U.S.A.
5801 Skylab Road, Huntington Beach, CA 92647
P.O. Box 2000, Huntington Beach, CA 92647-2000
Tel.: (714) 848 1555 Факс: (714) 843 2630

POLISH
Tel.: (48) 71 334 6520
Факс: (48) 71 334 6522
cambropoland@cambro.com

Języki

English	1
Español	5
Français	9
Italiano	13
Deutsch	17
Polski	21
Русско	25
日本語	29
中文	33

I. Wstęp

Gratulujemy zakupu nowego podgrzewanego elektrycznie przenośnego termosu Cambro Ultra Pan Carrier lub Ultra Camcart. W tym poradniku użytkownika podane są przystępne wskazówki korzystania z nowego przenośnego termosu i jego konserwacji. Wszelkie dodatkowe pytania prosimy kierować do przedstawiciela działu sprzedaży Cambro, odwiedzić stronę www.cambro.com lub zatelefonować do działu obsługi klientów pod nr (800) 833 3003. z zagranicy prosimy telefonować pod nr (714) 848 1555.

II. Pouczenia dotyczące bezpieczeństwa

WAŻNE: Przed użyciem wszystkie instrukcje należy przeczytać i zachować na przyszłość.

- Należy przestrzegać znaków ostrzegawczych na urządzeniu.
- Stosować tylko rodzaj zasilania (napięcie, faza, częstotliwość) wskazany na tabliczce znamionowej podgrzewacza.
- Nie używać kabla zasilania z oznakami zużycia lub uszkodzonego.
- Podłączyć urządzenie do należyście uziemionego źródła zasilania.
- Używać tylko kabla zasilania i części zamiennych zatwierdzonych przez producenta.
- Ostrzeżenie!** Nie używać urządzenia, jeżeli jest mokre lub wilgotne.
- Ostrzeżenie!** Przed zmywaniem lub obsługą odłączyć urządzenie od zasilania.
- Ostrzeżenie!** Przed zmywaniem odłączyć kabel zasilania od podgrzewacza. Zmywać tylko wilgotną ściereczką.
- Ostrzeżenie!** Nie należy dopuścić do zamoczenia podgrzewacza ani termometru.
- Ostrzeżenie!** Przed wyjęciem podgrzewacza z drzwiczek odłączyć kabel zasilania.
- Ostrzeżenie!** Tylko autoryzowany technik obsługi Cambro lub wykwalifikowany technik sprzętu dla zakładów żywienia może otworzyć wewnętrzną pokrywę podgrzewacza w celu wykonania serwisu.
- Podczas normalnej eksploatacji co najmniej raz na tydzień należy sprawdzać, czy ręczne wkręty radełkowane na podgrzewaczu są dokręcone.
- Wszelkie problemy eksploatacyjne nie uwzględnione w tym poradniku należy zgłaszać wykwalifikowanemu personelowi (elektrykowi lub technikowi sprzętu dla zakładów żywienia).

**CAUTION – HOT
SURFACE**



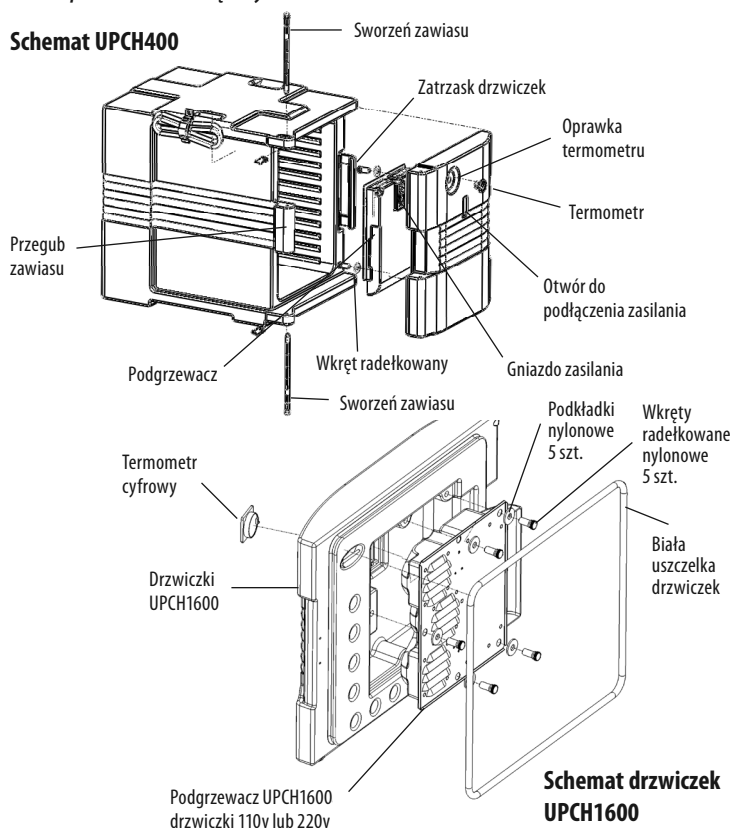
UWAGA: Aby uzyskać serwis, prosimy się zwracać do Cambro pod nr (800) 854 7631 wewn. 4118. Urządzenia w okresie gwarancji mogą być obsługiwane tylko przez autoryzowanego agenta obsługi Cambro.

III. Montaż i widoki w przekroju

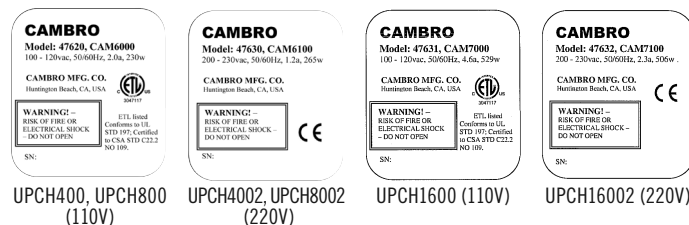
Dla wygody nabywców wszystkie produkty UPCH400, UPCH800 i UPCH1600 są zmontowane fabrycznie. Montaż nie jest wymagany.

UWAGA: Przed uruchomieniem zdjąć taśmę opakowaniową, zawieszki i wyjąć dokumenty z pomieszczeń wewnętrznych.

Schemat UPCH400



*Na podstawie testów umieszczonych w zamkniętej szafce garnków H-Pans 10 cm głębokości z pokrywkami GripLids® napełnionymi wodą w ilości ok. 14 l o temperaturze 88°C. Temperatura wody spadła do 84°C po czterech godzinach.



Instrukcja resetowania szafek termicznych UPCH

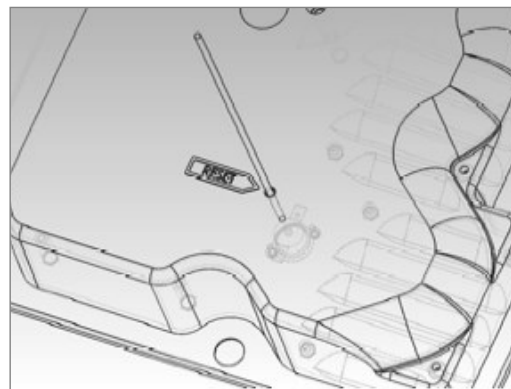
Instrukcja: Ta instrukcja odnosi się tylko do podgrzewaczy z ręcznie ustawianymi termostatami, zamontowanych w drzwiczkach. Podgrzewacze w drzwiczkach z tą funkcją mają otwory dające dostęp do jednostki grzejnej oznakowane etykietą „RESET”.

UWAGA: Normalne działanie podgrzewacza jest regulowane przez termostat automatyczny. Jego usterka mogła by spowodować wzrost temperatury wewnątrz produktu Cambro i doprowadzić do uszkodzenia plastiku. Aby temu zapobiec, w obwód podgrzewacza wbudowany jest resetowalny termostat wysoko-temperaturowy, ustawiony na 90,6°C. Urządzenie to wyłącza zasilanie podgrzewacza. Jego normalne działanie można przywrócić dopiero gdy temperatura spadnie do 85°C i naciśnięty zostanie przycisk resetowania. Ten termostat może także zadziałać w przypadku awarii wentylatora lub jeżeli do szafki włożono garnki z żywnością o temperaturze wyższej niż 87,8°C..

OSTROŻNIE! Grozi porażenie prądem elektrycznym!

Przed zresetowaniem termostatu wysoko-temperaturowego należy odłączyć kabel zasilania podgrzewacza od gniazdka sieciowego. Przycisk resetowania można wcisnąć tylko narzędziami niemetalowymi. Termostatowi nie wolno omijać ani w żaden sposób modyfikować.

1. Odłączyć sznur zasilania od gniazdka ściennego i od złącza z przodu podgrzewacza.
2. Otworzyć drzwiczki produktu Cambro i mocno przytrzymując podgrzewacz, wykręcić 5 wkrętów z podkładkami, które mocują podgrzewacz do wewnętrznej powierzchni drzwiczek. Można to także zrobić po wymontowaniu drzwiczek z produktu Cambro lub korzystając z pomocy drugiej osoby, która przytrzyma podgrzewacz.
3. Podgrzewacz należy położyć na stabilnej powierzchni, stroną metalową skierowaną w dół i znaleźć mały okrągły otwór na pokrywie oznaczony napisem RESET (na niektórych jednostkach może nie być napisu RESET).
4. Wsunąć do otworu okrągły nie-metalowy przedmiot o małej średnicy, np. sztywne plastikowe mieszadełko i wcisnąć nim przycisk na termostacie wysokotemperaturowym jak pokazano na poniższym rysunku.
5. Wyjąć narzędzie użyte do wciśnięcia przycisku, wstawić podgrzewacz do drzwiczek, włożyć na miejsce wkręty z podkładkami i dokręcić je do oporu.
6. Włączyć kabel zasilania najpierw do gniazda w przednich drzwiczkach, a potem do gniazda zasilania. Włączyć podgrzewacz (jeżeli trzeba) i sprawdzić, czy nagrzewa się do normalnej temperatury.



UWAGA: Po zresetowaniu termostatu wysoko-temperaturowego trzeba sprawdzić, czy działają wszystkie wentylatory i czy temperatura nie wzrasta powyżej 85°C. Jeżeli wentylatory nie działają, termostat wys.-temp. zadziała ponownie, gdy temperatura wewnątrz szafki dojdzie do nastawionej wartości. Jeżeli przyczyną była usterka termostatu sterującego, który nie ograniczył temperatury do 76,7°C, termostat wys.-temp. zadziała ponownie, gdy temperatura wewnątrz szafki dojdzie do nastawionej wartości. Jeżeli podgrzewacz nie działa po wciśnięciu przycisku resetowania, można powtórzyć procedurę, lecz jeżeli ponownie przestaje on działać po pewnym czasie, termostatowi nie wolno omijać ani w żaden sposób modyfikować, lecz trzeba się zwrócić do przedstawiciela Cambro.

IV. Instrukcja obsługi

UWAGA: Urządzenia są przeznaczone tylko do przechowywania potraw uprzednio podgrzanych. NIE WOLNO używać do podgrzewania wstępnego i odgrzewania potraw.

OSTRZEŻENIE! Nie wolno używać urządzenia, jeżeli jest mokre lub wilgotne. Instrukcje i ostrzeżenia dotyczące bezpieczeństwa patrz rozdział II.

1. Włączyć do źródła prądu zmiennego o napięciu 100-120 V (modele UPCH400/800/1600) lub 200-230V (modele UPCH4002/8002/16002). Tabliczka znamionowa umieszczona na podgrzewcu po wewnętrznej stronie drzwiczek wyraźnie określa rodzaj zasilania (patrz przykładowe tabliczki poniżej).
2. Czerwona lampka na przedniej powierzchni drzwiczek modeli UPCH400 i UPCH800 wskazuje, że zasilanie jest włączone – nie ma oddzielnego wyłącznika, urządzenie włącza się automatycznie po podłączeniu do źródła zasilania. Model UPCH1600 jest wyposażony w wyłącznik na przedniej stronie drzwiczek, a czerwona lampka sygnalizuje, że zasilanie jest włączone. Pomarańczowa lampka na wyłączniku wskazuje, że podgrzewacz działa. Ta lampka świeci, dopóki podgrzewacz nie osiągnie temperatury ustalonej fabrycznie, a potem gaśnie. UWAGA – podczas pracy podgrzewacz włącza się i wyłącza, utrzymując temperaturę ustaloną fabrycznie.
3. Przed włożeniem gorących potraw należy przez 45 minut wstępnie podgrzewać puste szafki przy zamkniętych drzwiczkach. Gdy termometr wewnętrzny wskaże 65°C, włożyć do transportera lub wózka garnki z gorącymi potrawami i szczelnie zatrzasnąć drzwiczki. UWAGA: Przed umieszczeniem metalowych garnków na plastikowych szynach ochłodzić je do 121°C.
4. Do transportu szafki z gorącymi potrawami odłączyć przewody zasilania i przymocować paskami umieszczonymi z boku torby lub wózka. Po wyłączeniu termosy utrzymują temperaturę potraw cztery godziny lub dłużej*.
5. W razie potrzeby uchylić odpowietrznik na drzwiczkach, aby wypuścić wilgoć lub parę (dotyczy tylko drzwiczek na UPCH400 UPCH800). Ująć mocno i odciągnąć na zewnątrz do oporu. Aby zamknąć, wcisnąć odpowietrznik do oporu. Modele UPCH1600 mają wbudowany odpowietrznik pasywny.

V. Utrzymanie czystości i konserwacja

A. Podgrzewacz i drzwiczki

OSTRZEŻENIE: Przed umyciem lub konserwacją podgrzewacz należy całkowicie ostudzić.

OSTRZEŻENIE: Nie zanurzać podgrzewacza w wodzie i nie polewać go wodą.

OSTRZEŻENIE: Przed zmywaniem odłączyć podgrzewacz od uziemionego źródła zasilania.

1. Jedną ręką ostrożnie wyjąć nylonowe wkręty radełkowane i podkładki z podgrzewacza, podtrzymując go drugą ręką. **OSTROŻNIE!** Po obluźowaniu wkrętów podgrzewacz może opaść, jeżeli nie jest podtrzymywany. Można także wyjąć drzwiczki i położyć je na płaskiej powierzchni, a następnie wyjąć podgrzewacz (rozdział VI).
2. Po wyjęciu podgrzewacza z drzwiczek umyć komponenty i drzwiczki, stosując łagodny detergent, gorącą wodę i miękką ściereczkę.
3. Spłukać mydliny i brud używając ściereczki i gorącej wody.
4. Przed ponownym zamontowaniem i uruchomieniem podgrzewacza wysuszyć go dokładnie powietrzem lub suchą miękką ściereczką.
5. Starannie osadzić podgrzewacz w zagłębieniu na wewnętrznej powierzchni drzwiczek. Ustawić wlot do kabla zasilania naprzeciw prostokątnego otworu w drzwiczkach.
6. Przymocować podgrzewacz do drzwiczek wkrętami radełkowanymi. Dokręcić wkręty mocno lecz nie nadmiernie. Nie używać kombinerek ani innych narzędzi. Podczas normalnej eksploatacji należy od czasu do czasu sprawdzać, czy wkręty się nie obluźowały.
7. Sprawdzać wtyki i sznur, wymienić kabel zasilania z oznakami zużycia lub jeżeli wtyki są wygięte, połamane lub ich brak.
8. Jeżeli drzwiczki zostały wyjęte do umycia lub konserwacji, zainstalować je ponownie zgodnie z instrukcją w rozdziale VI.

B. Obudowa szafki i wózka

1. Zmywać łagodnym detergentem, gorącą wodą i miękką ściereczką. **NIE WOLNO** używać detergentów ani innych środków czystości zawierających amoniak lub chlorek.
2. Wszystkie powierzchnie wewnętrzne i zewnętrzne myć ręcznie miękką ściereczką lub szczotką. **NIE WOLNO** używać wiórków stalowych, zmywaków ściernych ani twardych szczotek.
3. Spłukać mydliny i brud używając ściereczki i gorącej wody.
4. Umyć uszczelki w pojemniku lub zlewie z gorącymi mydlinami, przetrzeć miękką ściereczką lub szczotką, opłukać w gorącej wodzie i osuszyć na powietrzu.
5. Szafkę i wózek osuszyć na powietrzu lub wytrzeć do sucha wewnątrz i na zewnątrz czystą, suchą i miękką ściereczką.

C. Kółka

Przy każdym czyszczeniu należy zakonserwować kółka.

1. Nasmarować łożyska kółek smarem takim jak Lubriplate #930-AA, smar uniwersalny Keystone #84EPXLT lub podobnym. Nakładać smar za pomocą smarownicy z końcówką iglicową lub aplikatora, np. Sta-lube Moly-graph Assembly Lube (rys.6). Można je dostać w sklepach z artykułami motoryzacyjnymi.
2. Do osi stosować lekki olej WD-40. Przed ponownym zamontowaniem sprawdzić, czy kółko nie jest uszkodzone i czy obraca się w obu płaszczyznach.



Rys. 6



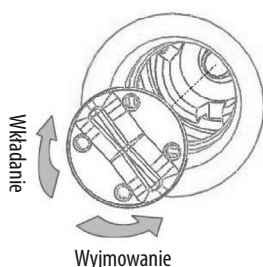
Rys. 7

D. Zdejmowane wieczko i osada odpowietznika (tylko modele UPCH400 i UPCH800)

Zdejmowanie:

1. Popchnąć wieczko w dół do pozycji zamkniętej.
2. Od spodniej lub wewnętrznej strony pokrywy lub drzwiczek odkręcić osadę w lewo. Przytrzymać wieczko po „zewnętrznej” stronie drzwiczek, aby przestało się obracać.
3. Po odłączeniu osady od wieczka wyciągnąć wieczko z otworu odpowietznika.
4. Namoczyć i umyć w ciepłych mydlinach (stosując tylko łagodny detergent) i zostawić do wyschnięcia lub wytrzeć do sucha miękką czystą ściereczką.

Schemat odpowietznika



Zakładanie:

1. Włożyć wieczko do otworu odpowietznika od górnej lub zewnętrznej strony pokrywy lub drzwiczek, wciskając je całkowicie do otworu, aż się zatrzyma w pozycji zamkniętej.
2. Od spodniej lub wewnętrznej strony pokrywy lub drzwiczek wkręcić osadę w prawo. Przytrzymać wieczko po przeciwnej stronie drzwiczek, aby się nie obracało. Gdy obydwie części zostaną całkowicie połączone, zaprzestać obracania. Nie dokręcać zbyt mocno.

VI. Instrukcja instalacji drzwiczek podgrzewanych serii H

Wymiana istniejących drzwiczek podgrzewanych serii H lub zamiana nieelektrycznych modeli UPC400, UPC800, UPC1600 na elektryczne UPCH400, UPCH800 lub UPCH1600

Do wymiany lub instalacji niezbędne są następujące elementy:

- 1 drzwiczki z podgrzewaczem
UWAGA: Te drzwiczki są skonstruowane tak aby pasowały TYLKO do górnej ALBO do dolnej części szafki i NIE są nawzajem wymienne. Przed instalacją trzeba sprawdzić, czy posiadany model jest właściwy. Napis TOP DOOR (górnego drzwiczki) lub BOTTOM DOOR (dolnego drzwiczki) jest wytłoczony na wewnętrznej powierzchni drzwiczek i na przegubie zawiasu. Numer modelu i numer seryjny podgrzewacza znajduje się na tabliczce znamionowej.
- 1 oddzielny kabel zasilania (110V lub 220V zależnie od modelu)
- 1 pasek mocujący kabel i 1 wkręt z podkładką ozdobną i szablonem mocowania.
Narzędzia potrzebne do montażu – wkrętak krzyżakowy #2 do umocowania paska.



Rys. 1



Rys. 2



Rys. 3



Rys. 4



Rys. 5



Rys. 6a



Rys. 6b



Rys. 7a



Rys. 7b



Rys. 8a



Rys. 8b

1. Położyć szafkę lub wózek drzwiczkami ku górze. Znaleźć i wyjąć sworznie zawiasów. W modelach UPC400 z jednym i drzwiczkami jeden sworzni znajduje się u dołu, a drugi u góry przegubów zawiasów (rys. 1). W modelach UPC800/UPCH800 i UPC1600/UPCH1600 jeden sworzni zawiasu znajduje się u góry górnych drzwiczek, a drugi u dołu dolnych drzwiczek oraz jeden sworzni obrotowy znajduje się u dołu górnych drzwiczek, a drugi u góry dolnych drzwiczek.
2. Należy wyciągnąć sworznie zawiasów pokręcając drzwiczkami w obydwie strony (rys. 2). Wyjąć sworznie obrotowe.
Ostrzeżenie! Drzwiczki trzeba podtrzymywać przez cały czas, dopóki nie zostaną całkowicie odłączone i dopiero wtedy można je zdjąć.
3. Odstawić drzwiczki od szafki (rys. 3). Mogą stawić pewien opór i wymagać nieco manipulacji.
4. Ustawić nowe drzwiczki do instalacji jak pokazano na rys. 4, ustawiając przegubów zawiasów naprzeciw siebie.
5. Najpierw włożyć sworznie w otwory, ustawiając naprzeciw siebie otwory w członie zawiasu na obudowie i na drzwiczkach (rys. 5). Ustawić drzwiczki dokładnie tak, aby wszystkie sworznie trafiły w otwory. W modelach UPC800/UPCH800 i UPC1600/UPCH1600 umieścić teraz sworznie obrotowe w otworach zawiasów. Ustawić drzwiczki lub pokręcić nimi dopóki wszystkie sworznie nie znajdą się na swoich miejscach.
6. Gdy wszystkie sworznie będą należycie osadzone i będzie widoczny rowek między drzwiczkami a szafką (rys. 6a), zatrzasnąć półokrągłą końcówkę zawleczeni w rowku sworzni. Obracać drzwiczki tak, aby móc wcisnąć szpiczastą końcówkę zawleczeni sworzni nad wbudowanym żebrzem, tuż za otworem zawiasu w kierunku szafki (rys. 6b). Wykonać tę czynność u góry i u dołu zawiasu drzwiczek.
7. Za pomocą szablonu oznaczyć miejsce i umocować pasek na kabel z boku szafki i przymocować go wkrętami z nakrętką ozdobną (rys. 7a i 7b).
8. Włączyć oddzielny kabel (rys. 8a) do gniazda na drzwiczkach podgrzewacza i zabezpieczyć resztę kabla paskiem (rys. 8b).

VII. Poradnik diagnostyczny

Ostrzeżenie! Grozi porażenie prądem – przed naprawą odłączyć zasilanie. Wszelkie problemy eksploatacyjne nie omówione w niniejszym poradniku należy zgłaszać wykwalifikowanemu personelowi (elektrykowi lub technikowi sprzętów kuchennych). Pod wewnętrzną pokrywę podgrzewacza nie ma części obsługiwanych przez użytkownika. Wewnętrzną pokrywę podgrzewacza mogą otwierać tylko osoby wykwalifikowane

Problem	Możliwe przyczyny	Możliwe rozwiązania
Urządzenie podłączone ale nie podgrzewa	<ul style="list-style-type: none">• Brak prądu lub za słaby prąd.• Kabel zasilania nie jest całkowicie włączony do źródła zasilania lub do podgrzewacza.• Kabel zasilania jest uszkodzony.• Podgrzewacz jest uszkodzony.	<ul style="list-style-type: none">• Sprawdzić źródło zasilania. Powinno spełniać wymagania podane na tabliczce znamionowej podgrzewacza.• Sprawdzić, czy obydwie końcówki kabla są solidnie podłączone.• Zawsze wymieniać uszkodzone kable zasilania na kable zatwierdzone przez Cambro.• Wymienić podgrzewacz.
Urządzenie działa dłużej niż godzinę, ale nie osiąga minimalnej temperatury 64° C.	<ul style="list-style-type: none">• Drzwiczki są nie domknięte lub brak uszczelki.• Kable zasilania jest uszkodzony i dopływ prądu do podgrzewacza jest nierównomierny.• Termometr jest uszkodzony lub niesprawny.• Podgrzewacz jest niesprawny.	<ul style="list-style-type: none">• Sprawdzić, czy drzwiczki są domknięte i czy uszczelka jest na swoim miejscu. Niewielkie nieszczelności są dopuszczalne i nie wpływają na działanie urządzenia.• Zawsze wymieniać uszkodzone kable zasilania na kable zatwierdzone przez Cambro.• Zmierzyć temperaturę we wnętrzu szafki sprawdzonym termometrem.• Sprawdzić, czy wentylatory działają bez przeszkód. Jeżeli tak jest, wymienić podgrzewacz.
Uporczywy zapach wewnątrz szafki	<ul style="list-style-type: none">• Jednostka jest uruchamiana po raz pierwszy.• Żywność pozostawiona w szafce zbyt długo.	<ul style="list-style-type: none">• Przy pierwszym użyciu uruchomić urządzenie i zostawić drzwiczki otwarte na 1 godzinę, aby wywietrzyć szafkę.• Umieścić w szafce garnek z wodą i sodą oczyszczaną i włączyć podgrzewacz na 1 godzinę.• Jeżeli zapach utrzymuje się, prosimy się skontaktować z serwisem Cambro, tel. (800) 833 3003.

VIII. Części zamienne

Pełna lista części zamiennych znajduje się w witrynie www.cambro.com. Numer modelu wózka lub transportera i podgrzewacza Cambro jest niezbędny, aby określić właściwą część zamienną. Numer modelu wózka lub transportera znajduje się na wewnętrznej stronie drzwiczek lub jest wytyłoczony u dołu obudowy. Na podgrzewaczu jest tabliczka znamionowa z numerem seryjnymi i numerem modelu.

ZAMAWIANIE CZĘŚCI ZAMIENNYCH:

- Należy zatelefonować do działu obsługi klientów Cambro, tel. (800) 833 3003 lub
- Wysłać zamówienie faksem pod nr (714) 842 3430 lub
- Zatelefonować do lokalnego przedstawiciela albo dystrybutora cambro.

IX. Gwarancja i odpowiedzialność cywilna Cambro za produkty

OGRANICZONA GWARANCJA NA ORYGINALNY KOMERCYJNY SPRZĘT ELEKTRYCZNY

Firma Cambro Manufacturing gwarantuje, że jej nowe produkty są wolne od wad materiałów i robocizny przez okres jednego roku od daty wysyłki z autoryzowanych placówek dystrybucji CAMBRO.

Gwarancja podlega następującym warunkom i ograniczeniom:

1. Gwarancja dotyczy tylko produktów sprzedanych przez Cambro Manufacturing oryginalnemu użytkownikowi na terenie kontynentalnych Stanów Zjednoczonych i Kanady. W sprawie zagranicznych roszczeń gwarancyjnych należy się zwracać do przedstawiciela Cambro.
2. Odpowiedzialność cywilna Cambro Manufacturing ogranicza się do naprawy lub wymiany części, w których stwierdzono usterki. Części i robocizna wymagane do konserwacji zapobiegawczej i do utrzymania czystości nie podlegają gwarancji.
3. Cambro Manufacturing poniesie normalne koszty naprawy lub wymiany objętego gwarancją sprzętu w promieniu 80 km (50 mil) od autoryzowanego punktu obsługi. Opłaty za czas i koszty podróży na odległość powyżej 80 km poniesie osoba fizyczna lub prawna żądająca obsługi. Praca przy naprawie lub obsłudze objętych gwarancją urządzeń będzie wykonywana w normalnych godzinach pracy. Zapłata za nadgodziny obciąży nabywcę i NIE jest objęta gwarancją.
4. Opłaty za opóźnienia lub ograniczenia dostępu przeszkadzające technikowi w wykonaniu naprawy urządzenia NIE są objęte gwarancją. Odnosi się to również do zakładów zamkniętych, zakładów karnych, obiektów wojskowych i marynarki handlowej.
5. Cambro Manufacturing nie ponosi odpowiedzialności cywilnej za produkty, które były przedmiotem niewłaściwego traktowania, użytkowania, stosowania, były poddane niszczącemu działaniu chemikaliów, zostały uszkodzone przez powódź, pożar lub inną katastrofę naturalną, uległy modyfikacji przez nieupoważnione osoby oraz takie, których numery seryjne zostały zmienione lub usunięte.
6. Cambro Manufacturing nie zaleca ani nie upowadza do użytkowania swoich produktów do zastosowań niekomercyjnych, w tym m.in. do użytku domowego. Użycie lub zainstalowanie produktów w zastosowaniach niekomercyjnych unieważnia wszelkie gwarancje i rękojmie, w tym gwarancje PRZYDATNOŚCI czyli ZDATNOŚCI DO OKREŚLONEGO CELU.
7. Regulacje takie jak kalibracja, poziomowanie, dokręcanie elementów łączących czy podłączenia do sieci komunalnych zwykle wymagane podczas pierwotnej instalacji należą do obowiązków dealera lub instalatora, a nie do Cambro Manufacturing. Niewłaściwa instalacja obejmuje m.in. zastosowanie nieodpowiedniego osprzętu elektrycznego lub podłączenie do źródła zasilania o zbyt niskim lub nieodpowiednim napięciu.
8. Części zamienne użyte w terenie TYLKO przez autoryzowanych techników obsługi CAMBRO są objęte gwarancją przez okres gwarancji sprzętu, lecz co najmniej przez 90 dni od daty ich zainstalowania. Niniejsza gwarancja obejmuje tylko części i nie obejmuje opłat za przesyłkę i robociznę.
9. Niniejszym określa się wyłączne środki prawne przysługujące przeciwko Cambro Manufacturing w odniesieniu do produktów czy to na mocy umowy, odpowiedzialności deliktowej lub innej zasady prawnej, z tytułu roszczeń wynikłych z gwarancji, oświadczeń, pouczeń, instalacji lub usterek powstałych z dowolnej przyczyny. Cambro Manufacturing nie ponosi odpowiedzialności na mocy żadnej doktryny prawnej za utratę użytkowania, dochodów lub zysków, za wykorzystanie urządzeń zastępczych, za obniżoną wydajność, za straty dodatkowe, pośrednie, specjalne lub następcze, ani za wszelkie inne straty lub koszty podobnego rodzaju.
10. NINIEJSZA GWARANCJA ORAZ ZAWARTE W NIEJ OŚWIADCZENIA I USTANOWIONE WARUNKI SĄ WYŁĄCZNE I ZASTĘPUJĄ WSZELKIE INNE GWARANCJE I ODPOWIEDZIALNOŚĆ CYWILNĄ, W TYM M.IN. INNE GWARANCJE I RĘKOJMIE PRZYDATNOŚCI CZYLI NADAWANIA SIĘ DO KONKRETNIEGO CELU ORAZ STANOWI JEDYNĄ GWARANCJĘ UDZIELONĄ PRZEZ CAMBRO MANUFACTURING ODNOŚNIE TYCH PRODUKTÓW.

ZASADY ZWROTÓW: Produkty Cambro Manufacturing można zwracać wyłącznie na podstawie uprzedniego pisemnego upoważnienia przez zakład produkcyjny (RMA). Opłata za odnowienie zapasów wynosi 15% plus koszty odnowienia sprzętu. Nie przyjmuje się żadnych zwrotów po upływie 90 dni od daty faktury. Przed uznaniem konta nabywcy zwrócone komponenty elektryczne podlegają inspekcji. Komponenty elektryczne zainstalowane przez nie uprawnionego operatora lub agenta nie podlegają zwrotowi.

РУКОВОДСТВО ПО ЭКСПЛУАТАЦИИ

ЭЛЕКТРИЧЕСКИЕ КОНТЕЙНЕРЫ ДЛЯ ГОРЯЧИХ БЛЮД ULTRA PAN CARRIER® СЕРИИ Н, ТЕЛЕЖКИ ULTRA CAMCART® СЕРИИ Н И СМЕННЫЕ ДВЕРЦЫ С НАГРЕВАТЕЛЯМИ ФИРМЫ CAMBRO®

Это руководство владельца применимо ко всем вариантам моделей, относящихся к следующим категориям:

контейнеры Ultra Pan Carrier® серии Н

UPCH400 / 4002

тележки Ultra Camcart® серии Н

UPCH800 / 8002

UPCH1600 / 16002

ТОЛЬКО сменные дверцы с нагревателями для переоборудования не электрифицированных контейнеров Ultra Pan Carrier или тележек Ultra Camcart.

Примечание: все модели, артикулы которых, рассчитаны на напряжение 220 В. Все инструкции, содержащиеся в этом руководстве, относятся как к моделям, рассчитанным на напряжение 110 В, так и к моделям, рассчитанным на напряжение 220 В.



UPCH400
UPCH4002



UPCH1600
UPCH16002



UPCH800
UPCH8002

CAMBRO
TRUSTED FOR GENERATIONS™

CAMBRO U.S.A.
5801 Skylab Road, Huntington Beach, CA 92647
P.O. Box 2000, Huntington Beach, CA 92647-2000
Тел.: (714) 848 1555 Факс: (714) 843 2630

RUSSIAN
Тел.: (7) 495 787 4077
Факс: (7) 495 787 4077
cambrorussia@cambro.com

Языки

English	1
Español	5
Français	9
Italiano	13
Deutsch	17
Polski	21
Русско	25
日本語	29
中文	33

I. Введение

Поздравляем вас с приобретением нового электрифицированного контейнера Ultra Pan Carrier фирмы Cambro или новой электрифицированной тележки Ultra Camcart фирмы Cambro! В этом руководстве по эксплуатации приводятся поэтапные инструкции по эксплуатации и обслуживанию вашего нового теплоизолированного средства транспортировки. Если у вас возникнут какие-либо дополнительные вопросы, пожалуйста, обращайтесь к местному торговому представителю фирмы Cambro, посетите наш сайт по адресу www.cambro.com или позвоните по нашей линии срочного обслуживания заказчиков тел. (800) 833 3003. За пределами США, пожалуйста, звоните по тел. (714) 848 1555.

II. Инструкции по обеспечению безопасности

ВНИМАНИЕ! Прочтите все инструкции перед началом эксплуатации оборудования и сохраните их в качестве справочного материала.

- Учитывайте все предупреждающие символы, которыми маркировано изделие.
- Пользуйтесь источником питания только с теми характеристиками (напряжением, фазой и частотой тока), которые указаны на заводской табличке изделия.
- Не пользуйтесь шнуром электропитания, если он протерся или поврежден.
- Подсоединяйте изделие только к правильно заземленному источнику питания.
- Пользуйтесь только одобренными изготовителем шнуром электропитания и сменными компонентами.
- **Внимание!** Не используйте это оборудование в условиях повышенной влажности.
- **Внимание!** Отсоединяйте изделие от источника питания перед очисткой или обслуживанием.
- **Внимание!** Отсоединяйте шнур электропитания от нагревателя перед очисткой. Очищайте только увлажненной тканью.
- **Внимание!** Не допускайте влажности нагревателя или термометра.
- **Внимание!** Отсоединяйте шнур электропитания от нагревателя перед удалением нагревателя из дверцы.
- **Внимание!** вскрывать нижнюю крышку нагревателя с целью обслуживания должен только представитель обслуживающей организации, уполномоченной фирмой Cambro, или квалифицированный техник, обслуживающий оборудование пищевых предприятий.
- В нормальных условиях эксплуатации проверяйте как минимум раз в неделю, надежно ли затянуты винты нагревателя.
- По поводу любых возникающих в ходе эксплуатации проблем, не упомянутых в этом руководстве или не устраняющихся посредством выполнения инструкций, приведенных в этом руководстве, следует обращаться к квалифицированному обслуживающему персоналу (электрику или технику по обслуживанию оборудования пищевых предприятий).



ПРИМЕЧАНИЕ. С заявками на обслуживание, пожалуйста, обращайтесь в фирму Cambro по тел. (800) 854 7631, доп. 4118. До истечения гарантийного срока оборудование должно обслуживать только представитель обслуживающей организации, уполномоченной фирмой Cambro.

III. Сборка и перспективные изображения компонентов

Сборка всех единиц оборудования моделей UPCN400, UPCN800 и UPCN1600 производится изготовителем перед их доставкой заказчику. Сборка этих моделей заказчиком не требуется.

ПРИМЕЧАНИЕ. Перед началом эксплуатации оборудования удалите упаковочную ленту, бирки и документацию из внутренних отделений.

Схема модели UPCN400

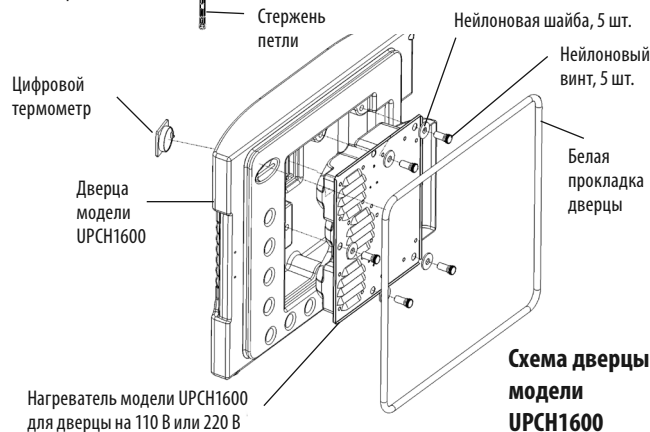
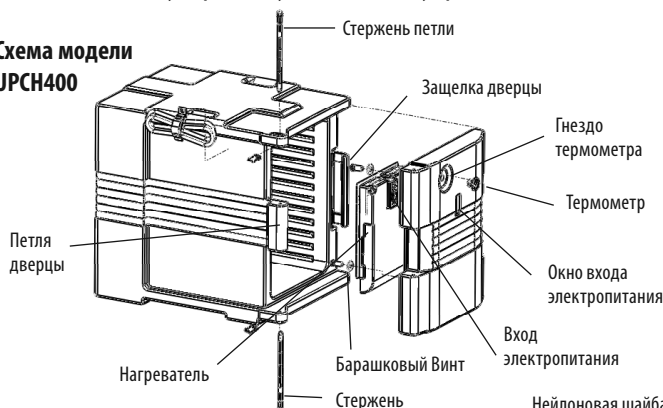


Схема дверцы модели UPCN1600

*Данные приводятся на основе результатов испытаний с использованием лотков серии H глубиной 10 см каждый, закрытых крышками Griplid®, заполненных примерно 14 л воды с температурой 88°С и установленных в отделении с закрытой дверцей. Температура воды снижалась до 84°С в течение 4 часов.



UPCN400, UPCN800 (110V)



UPCN4002, UPCN8002 (220V)



UPCN1600 (110V)



UPCN16002 (220V)

Инструкции по установке термостатов нагревателей в контейнерах UPCN

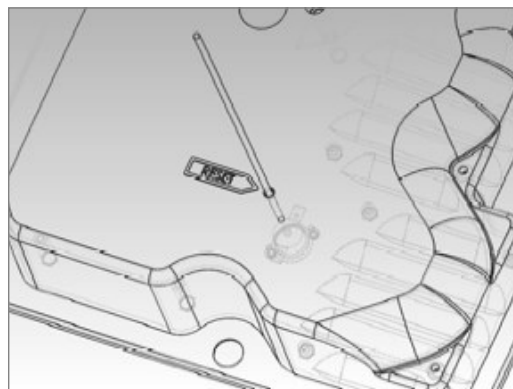
Назначение документа. Настоящий документ относится только к установленным в дверцах нагревателям, оснащенным термостатами с регулируемым вручную верхним пределом температуры. В установленных в дверцах нагревателях, выполняющих эту функцию, предусмотрено отверстие для доступа в крышке нагревательной секции, рядом с которым закреплен ярлык с надписью «RESET» («СБРОС»).

ПРИМЕЧАНИЕ. В нормальном режиме эксплуатации установленный в дверце нагреватель контролируется автоматически включающимся и выключающимся «управляющим термостатом». Отказ управляющего термостата может привести к повышению температуры внутри изделия фирмы Cambro, способному вызвать повреждение пластика. В электрической цепи нагревателя встроены регулируемый термостат, предотвращающий нагрев до температуры выше 90,6°С. Это устройство отключает подачу электроэнергии к нагревателю в нагревательной секции и предотвращает функционирование в нормальном режиме эксплуатации до тех пор, пока температура не снизится до менее чем 85°С и не будет нажата кнопка на термостате, предотвращающем перегрев. Размыкание цепи термостата, предотвращающего перегрев, может быть вызвано и другими факторами, такими, как отказ вентилятора или размещение в контейнере поддонов с горячими блюдами, температура которых выше 87,8°С.

ОСТОРОЖНО: опасность поражения электрическим током!

Перед тем, как пытаться отрегулировать термостат, предотвращающий перегрев, отсоедините шнур электропитания нагревателя от источника электропитания. Нажимайте кнопку сброса только на металлических предметах. Не соединяйте цепь нагревателя в обход термостата и не вносите какие-либо изменения в конструкцию термостата.

1. Отсоедините шнур электропитания от настенной розетки электросети или от источника электропитания, после чего отсоедините его другой конец от разъема на передней панели нагревателя.
2. Откройте дверцу изделия фирмы Cambro и, надежно удерживая нагреватель, удалите, вместе с шайбами, 5 винтов с накатанными головками, закрепляющих нагреватель на внутренней поверхности дверцы. Это можно сделать также после удаления дверцы изделия фирмы Cambro или попросив другого человека помочь вам удерживать нагреватель.
3. Разместив нагреватель на устойчивой поверхности так, чтобы его металлическая секция была обращена вниз, найдите небольшое круглое отверстие в крышке, рядом с которым находится надпись «RESET» («СБРОС») (в некоторых изделиях эта надпись может отсутствовать).
4. Вставьте в это отверстие не металлический узкий предмет круглого сечения, такой, как жесткая пластиковая палочка для размешивания напитков, и нажмите кнопку термостата, предотвращающего перегрев, так, как показано ниже на иллюстрации.
5. Удалите предмет, которым вы нажали кнопку, снова разместите нагреватель в дверце, установите винты с шайбами и затяните их.
6. Подсоедините шнур электропитания к разъему на передней панели дверцы, а затем к источнику электропитания. Включите нагреватель (если это требуется) и убедитесь в том, что он обеспечивает нагрев до нормальной температуры.



ПРИМЕЧАНИЕ. После сброса термостата, предотвращающего перегрев, пожалуйста, убедитесь в том, что вентиляторы работают и, что температура не повышается выше 85°С. Если вентиляторы не работают, размыкающий цепь термостат снова сработает после повышения температуры внутри изделия до заданной температуры. Если первоначальной причиной неисправности была неспособность управляющего термостата предотвращать нагрев до температуры выше 76,7°С, цепь нагревателя снова размыкнется после повышения температуры внутри изделия до заданного уровня. Если нагреватель не будет работать после нажатия кнопки сброса, попытайтесь повторить выполнение этих инструкций; если нагреватель снова перестанет работать после того, как в течение некоторого времени будет обеспечиваться нагрев, не соединяйте цепь нагревателя в обход термостата и не вносите какие-либо изменения в конструкцию термостата и свяжитесь с местным представителем фирмы Cambro.

IV. Инструкции по эксплуатации

ПРИМЕЧАНИЕ. Оборудование предназначено только для хранения предварительно нагретых горячих блюд. НИКОГДА не используйте его с целью предварительного или повторного нагрева пищевых продуктов.

ВНИМАНИЕ! Никогда не используйте оборудование в условиях повышенной влажности. См. инструкции по обеспечению безопасности и предупреждения в разделе II.

1. Подсоедините изделие к сети электропитания, подающей переменный ток под напряжением 110-120 В (модели UPCN400/800) или 200-230 В (модели UPCN4002/8002/16002) с частотой 50/60 Гц. Требуемые характеристики электропитания указаны на ярлыке оборудования, закрепленном с внутренней стороны каждой дверцы с нагревателем (см. приведенные ниже образцы ярлыков).
2. Красный световой индикатор, установленный снаружи на дверце с нагревателем, оповещает о подаче электроэнергии к моделям UPCN400 и UPCN800; переключатель электропитания в этих моделях не предусмотрен, они включаются автоматически после подсоединения к розетке сети электропитания. К моделям UPCN1600 электроэнергия подается с помощью переключателя электропитания, установленного снаружи на дверце с нагревателем; когда этот переключатель находится во включенном положении (ON), загорается красный световой индикатор. Желтый световой индикатор того же переключателя горит, когда работает нагреватель. Этот индикатор продолжает гореть до тех пор, пока не будет достигнута заданная изготовителем температура, после чего нагреватель выключается и желтый индикатор гаснет. ПРИМЕЧАНИЕ: в ходе эксплуатации нагреватель включается и выключается по мере необходимости, поддерживая заданную изготовителем температуру.
3. Предварительно нагрейте пустое отделение с закрытыми дверцами в течение 45 минут перед загрузкой блюд. Когда термометр, установленный с внутренней стороны дверцы, будет показывать 65°С, вставьте в контейнер или в тележку лотки с горячими блюдами и плотно закройте дверцу или дверцы так, чтобы сработали защелки. ПРИМЕЧАНИЕ: охлаждайте металлические лотки или поддоны до 121°С перед их размещением на пластиковых направляющих.
4. В процессе перевозки контейнера или тележки, заполненных горячими блюдами, предварительно отсоединяйте шнуры электропитания и закрепляйте их с помощью ремешков, предусмотренных сбоку на контейнере или тележке. Теплоизолированные модели позволяют хранить горячие блюда в течение более чем 4 часов без электрического подогрева.*
5. Если это необходимо, откройте вентиляционный клапан, предусмотренный в дверце, чтобы выпустить пар и понизить влажность (такие клапаны предусмотрены только в дверцах моделей UPCN400 и UPCN800). Плотно обхватив клапан пальцами, потяните его наружу так, чтобы он защелкнулся в выдвинутом положении. В моделях UPCN1600 предусмотрен пассивный вентиляционный канал.

A. Нагреватель и дверца

ВНИМАНИЕ! Перед началом очистки или обслуживания полностью охлаждайте нагреватель.
ВНИМАНИЕ! Не погружайте нагреватель в воду и не разбрызгивайте воду по поверхности нагревателя.
ВНИМАНИЕ! Перед началом очистки отсоединяйте нагреватель дверцы от заземленного источника электропитания.

1. Осторожно удалите пять нейлоновых винтов и шайб из нагревателя одной рукой, удерживая нагреватель другой рукой. **ОСТОРОЖНО!** После того, как Вы начнете ослаблять винты, нагреватель может выпасть, если вы не будете его надежно удерживать. Кроме того, вы можете снять дверцу и положить ее наружной стороной вниз на плоскую поверхность, а затем уже удалить нагреватель. (См. раздел VI.)
2. Удалив нагреватель из дверцы, очистите компоненты и дверцу мягкой тканью, увлажненной слабым теплым раствором чистящего средства.
3. Протрите поверхности мягкой тканью, увлажненной чистой горячей водой, чтобы удалить следы мыла и грязи.
4. Полностью осушите все компоненты на воздухе или протрите их сухой мягкой тканью перед сборкой и включением нагревателя.
5. Осторожно вставьте нагреватель в углубление с внутренней стороны дверцы. Совместите вход электропитания с прямоугольным отверстием в дверце.
6. Пользуясь шайбами и винтами, снова закрепите нагреватель в дверце. Затяните барашковые винты плотно, но не прилагая чрезмерные усилия. Не пользуйтесь плоскогубцами или другими инструментами. В ходе нормальной эксплуатации периодически проверяйте плотно ли вкручены винты.
7. Проверьте состояние контактных выводов вилки и шнура электропитания и замените шнур электропитания, если он протерся или если контактные выводы вилки погнулись или сломались.
8. Если дверца была удалена с целью очистки или профилактического обслуживания, установите ее, выполняя инструкции, приведенные в разделе VI.

B. Корпус контейнера или тележки

1. Очистите мягкой тканью, увлажненной слабым теплым раствором чистящего средства. **НЕ ПРИМЕНЯЙТЕ** моющие или чистящие средства содержащие аммиак или хлор.
2. Протрите все внутренние и наружные поверхности мягкой тканью или щеткой. **НЕ ПРИМЕНЯЙТЕ** стальную мочалку, жесткие щетки или абразивные (наждачные) материалы.
3. Промойте изделие теплой или горячей водой, чтобы удалить следы мыла и грязи.
4. Очистите прокладку, помещая их в емкость или раковину, заполненные горячим мыльным раствором, протирайте их мягкой тканью или щеткой, промывайте горячей водой и сушите на воздухе.
5. Осушите контейнер или тележку на воздухе или протрите их чистой, сухой мягкой тканью.

C. Ролики

Профилактическое обслуживание роликов производится после каждой очистки оборудования.

1. Смазывайте дорожку качения поворотного шарнира ролика консистентной смазкой многоцелевого назначения Lubriplate #930-AA или Keystone #84EPXLT (или эквивалентной смазкой). Нанесите смазку с помощью шприца для консистентной смазки с игольчатым наконечником или трубчатым аппликатором (например, с помощью шприца Sta-lube Moly-graph Assembly Lube) (см. рис. 6). Такие смазочные шприцы продаются в большинстве магазинов, торгующих автомобильными запчастями.
2. Ступицу ролика смазывайте маловязким маслом, таким, как WD-40 (см. рис. 7). Перед возобновлением эксплуатации роликов проверяйте их на наличие признаков повреждений и беспрепятственность поворота и вращения.



Рис. 6

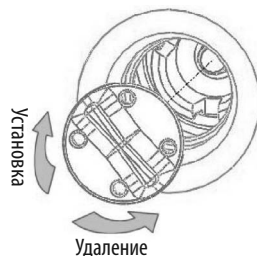


Рис. 7

D. Выдвижной вентиляционный клапан и фиксатор (ТОЛЬКО в моделях UPCN400/UPCN800) Удаление:

1. Нажмите на вентиляционный клапан, чтобы закрыть его.
2. Удалите фиксатор, находящийся с нижней или внутренней стороны крышки или дверцы, поворачивая его против часовой стрелки. Удерживайте вентиляционный клапан «наружной» стороны дверцы, чтобы он не поворачивался вместе с фиксатором.
3. После того, как фиксатор будет отделен от клапана, потяните клапан наружу и полностью удалите его из вентиляционного отверстия.
4. Отмочите и (или) очистите компоненты в теплом мыльном растворе (используйте только слабый раствор detergente) и высушите их на воздухе или протрите их мягкой чистой тканью.

Выдвижной вентиляционный клапан: схема



Установка:

1. Разместите клапан в вентиляционном отверстии с верхней или наружной стороны крышки или дверцы, плотно вставив его в отверстие до упора (в закрытом положении).
2. С нижней или внутренней стороны крышки или дверцы установите фиксатор, поворачивая его по часовой стрелке. При этом рекомендуется удерживать клапан с другой стороны дверцы, чтобы он не поворачивался вместе с фиксатором. После того, как оба компонента будут плотно соединены, больше не поворачивайте фиксатор. Не следует чрезмерно затягивать соединение.

Замена дверцы с нагревателем в оборудовании серии N или переоборудование не электрифицированной модели UPC400, UPC800 или UPC1600 посредством установки дверцы с электрическим нагревателем

Перед началом замены и (или) установки дверцы убедитесь в наличии следующих компонентов.

- 1 дверца с нагревателем
ПРИМЕЧАНИЕ. Эти дверцы подходят к верхнему ИЛИ нижнему отделению, причем верхняя и нижняя дверцы НЕ взаимозаменяемы. Перед установкой дверцы не забудьте проверить, подходит ли она к обслуживаемой модели. С внутренней стороны дверцы, на выступе петли, выдавлены слова «TOP DOOR» («ВЕРХНЯЯ ДВЕРЦА») или «BOTTOM DOOR» («НИЖНЯЯ ДВЕРЦА»). Номер модели нагревателя и его серийный номер указаны на ярлыке нагревателя.
- 1 отсоединяемый шнур электропитания (рассчитанный на 110 В или 220 В, в зависимости от модели)
- 1 ремешок для закрепления шнура электропитания, винт, предохранительная шайба и установочный шаблон (по 1 шт.)
 Инструмент, необходимый для сборки: крестообразная отвертка № 2 для закрепления ремешка шнура электропитания.



Рис. 1



Рис. 2



Рис. 3



Рис. 4



Рис. 5



Рис. 6а



Рис. 6б



Рис. 7а



Рис. 7б



Рис. 8а



Рис. 8б

1. Разместите контейнер или тележку так, чтобы дверца или дверцы были обращены вверх. Найдите и удалите зажимы стержней поворотных петель. В модели UPC400 с одной дверцей один такой зажим находится сверху, а другой — снизу на выступе поворотной петли дверцы (см. рис. 1). В моделях UPC800/UPCN800 и UPC1600/UPCN1600 один стержень петли находится в верхней части верхней дверцы, а другой — в нижней части нижней дверцы; кроме того, один шарнирный стержень находится в нижней части верхней дверцы, а другой — в верхней части нижней дверцы.
2. Открывая и закрывая дверцу, вытащите стержни поворотных петель (см. рис. 2). Отложите стержни поворотных петель
Внимание! Не забывайте постоянно удерживать дверцу, пока стержни петель не будут удалены и дверца не отделится от корпуса.
3. Отделите дверцу от корпуса (см. рис. 3). Соединение может быть тугим, и для отделения дверцы может потребоваться некоторое усилие.
4. Установите новую дверцу, совмещая выступы поворотных петель (см. рис. 4).
5. В первую очередь вставьте стержни поворотных петель в отверстия поворотных петель, совмещая отверстия корпуса и дверцы (см. рис. 5). По мере необходимости регулируйте положение дверцы так, чтобы можно было вставить все стержни. В моделях UPC800/UPCN800 и UPC1600/UPCN1600 затем вставьте шарнирные стержни в отверстия поворотных петель. По мере необходимости регулируйте положение дверцы или открывайте и закрывайте ее так, чтобы стержни можно было полностью вставить в отверстия.
6. После того, как все стержни будут полностью вставлены и между дверцей и корпусом образуется заметное углубление (см. рис. 6а), поместите U-образный конец зажима стержня поворотной петли в углубление так, чтобы зажим защелкнулся. Поверните дверцу так, чтобы вы могли надеть V-образный конец зажима стержня поворотной петли на формованное ребро непосредственно за отверстием поворотной петли, со стороны, обращенной к внутреннему отделению контейнера или тележки (см. рис. 6б). Выполните эти операции в отношении верхней и нижней поворотных петель дверцы.
7. Пользуясь установочным шаблоном, отметьте место закрепления ремешка для шнура электропитания на боковой поверхности корпуса и закрепите ремешок для шнура электропитания предусмотренными винтом и предохранительной шайбой (см. рис. 7а и 7б).
8. Подсоедините шнур электропитания (см. рис. 8а) к дверце с нагревателем и пристегните лишние петли шнура с помощью ремешка (см. рис. 8б).

VII. Поиск и устранение причин неисправностей

Внимание! Опасность поражения электрическим током! — Отсоединяйте оборудование от источника электропитания перед обслуживанием. По поводу любых возникающих в ходе эксплуатации проблем, не упомянутых в этом руководстве или не устраняющихся посредством выполнения инструкций, приведенных в этом руководстве, следует обращаться к квалифицированному обслуживающему персоналу (электрику или технику по обслуживанию оборудования пищевых предприятий). Под внутренней крышкой нагревателя нет компонентов, обслуживаемых пользователем. Открывать внутреннюю крышку нагревателя должен только квалифицированный обслуживающий персонал.

Проблема	Возможные причины	Возможные решения
Оборудование подсоединено к электросети, но не нагревается.	<ul style="list-style-type: none"> Электропитание не подается или подается под недостаточным напряжением. Шнур электропитания плохо подсоединен к источнику электропитания или к нагревателю. Шнур электропитания поврежден. Нагреватель поврежден. 	<ul style="list-style-type: none"> Проверьте напряжение, которое подается к оборудованию. Оно должно соответствовать требованиям, указанным на ярлыке нагревателя. Убедитесь в том, что шнур электропитания надежно подсоединен с обоих концов. Всегда заменяйте поврежденные шнуры электропитания шнурами, утвержденными фирмой Cambro. Замените нагреватель.
Оборудование не прогревается до минимальной рабочей температуры (64°С) в течение более чем 1 часа.	<ul style="list-style-type: none"> Дверца недостаточно плотно закрыта или отсутствует прокладка. Шнур электропитания поврежден, в связи с чем подача электроэнергии к нагревателю прерывается. Термометр поврежден или неисправен. Нагреватель неисправен. 	<ul style="list-style-type: none"> Убедитесь в том, что дверца плотно закрыта, и что прокладка установлена. Небольшие зазоры допускаются и не влияют на рабочие характеристики. Всегда заменяйте поврежденные шнуры электропитания шнурами, утвержденными фирмой Cambro. Проверьте температуру в отделении с помощью исправного термометра, разместив его в центре внутреннего отделения. Проверьте, не мешают ли вращению вентиляторов нагревателя какие-либо препятствия. Если таких препятствий нет, замените нагреватель.
Постоянный запах во внутреннем отделении.	<ul style="list-style-type: none"> Первоначальный запуск. Слишком продолжительное хранение пищевых продуктов во внутреннем отделении. 	<ul style="list-style-type: none"> Перед началом эксплуатации изделия подключите его к электросети и дайте ему поработать в течение 1 часа с открытой дверцей, чтобы провентилировать внутреннее отделение. Разместите во внутреннем отделении поддон с водой, добавив в воду немного пищевой соды, и дайте нагревателю поработать в течение 1 часа. Если запах не удаётся устранить, пожалуйста, свяжитесь с отделом обслуживания заказчиков фирмы Cambro по тел. (800) 833 3003.

VIII. Сменные компоненты

Полный перечень сменных компонентов см. на сайте www.cambro.com. Для нахождения правильного сменного компонента необходимо знать номер модели изделия фирмы Cambro. Номер модели контейнера или тележки (последовательность выданных цифр и букв) находится с внутренней стороны дверцы или с нижней стороны корпуса. На ярлыке каждого нагревателя указаны его серийный номер и номер модели.

ОФОРМЛЕНИЕ ЗАКАЗОВ НА ПОСТАВКУ СМЕННЫХ КОМПОНЕНТОВ:

- позвоните в отдел обслуживания заказчиков фирмы Cambro по тел. (800) 833 3003; или
- отправьте свой заказ по факсу (714) 842 3430; или
- позвоните местному торговому представителю фирмы Cambro или агенту по продаже продукции фирмы Cambro.

IX. Гарантийные обязательства фирмы Cambro и ответственность за использование продукции

ОГРАНИЧЕННАЯ ГАРАНТИЯ НА ОРИГИНАЛЬНОЕ КОММЕРЧЕСКОЕ ЭЛЕКТРИЧЕСКОЕ ОБОРУДОВАНИЕ

Компания Cambro Manufacturing гарантирует, что ее новая продукция не будет содержать дефектов, допущенных при изготовлении материалов и компонентов, в течение одного (1) года после наступления даты отправки продукции уполномоченными агентами по продаже продукции фирмы CAMBRO.

Настоящая гарантия подлежит действию следующих условий и ограничений:

1. Настоящая гарантия относится только к продукции, проданной компанией Cambro Manufacturing первоначальному пользователю на территории континентальных Соединенных Штатов Америки или Канады. Международные гарантийные обязательства можно получить, обратившись к местному представителю фирмы Cambro.
2. Материальная ответственность компании Cambro Manufacturing ограничивается ремонтом или заменой любого неисправного или содержащего дефект компонента. Настоящая гарантия не покрывает стоимость компонентов и труда, относящихся к профилактическому обслуживанию или очистке оборудования.
3. Компания Cambro Manufacturing покрывает нормальные расходы, связанные с ремонтом или заменой гарантированного компонента оборудования на расстоянии не более 80 километров от уполномоченной обслуживающей организации. Ответственность за затраты времени и расходы, связанные с перевозкой оборудования на расстояние более 80 километров, несет лицо или предприятие, запрашивающее гарантийное обслуживание. Все работы, связанные с ремонтом и (или) обслуживанием гарантированного оборудования, выполняются в обычное рабочее время. Стоимость работ, выполняемых в сверхурочное время, оплачивается покупателем и НЕ покрывается настоящей гарантией.
4. Расходы, связанные с задержками или эксплуатационными ограничениями, препятствующими доступу обслуживающего технического персонала к гарантированному оборудованию или выполнению этим персоналом требуемых работ, НЕ покрываются настоящей гарантией. Это ограничение относится, в частности, к государственным учреждениям, исправительным учреждениям, а также военным и военно-морским объектам.
5. Компания Cambro Manufacturing не несет материальной или какой-либо иной ответственности за какую-либо продукцию, подвергавшуюся небрежному обращению, применявшуюся не по назначению, подвергавшуюся воздействию сильнодействующих химических веществ, поврежденную наводнением, пожаром или каким-либо другим стихийным бедствием, модифицированную на месте эксплуатации неуполномоченным персоналом, обозначенную измененным серийным номером или не обозначенную серийным номером.
6. Компания Cambro Manufacturing не рекомендует и не одобряет использование какой-либо ее продукции в некоммерческих условиях, в том числе, в частности, в жилищно-бытовых условиях. Использование или установка какой-либо продукции в некоммерческих условиях приведут к отмене и прекращению действия всех гарантийных обязательств, выраженных и подразумеваемых, в том числе гарантийных обязательств, относящихся к КОММЕРЧЕСКОЙ ЦЕННОСТИ продукции и к ее ПРИГОДНОСТИ К ИСПОЛЬЗОВАНИЮ С ОПРЕДЕЛЕННОЙ ЦЕЛЬЮ, в том числе обязательств, определяющих какую-либо ответственность за возмещение убытков и затрат или за удовлетворение правовых притязаний, связанных с использованием или установкой продукции в любых некоммерческих условиях.
7. Ответственность за регулировку, такую, как калибровка, нивелирование, затягивание зажимов и выполнение соединений, как правило осуществляемую в процессе первоначальной установки оборудования, несут торговый посредник или устанавливающая оборудование организация, а не компания Cambro Manufacturing. К неправильной установке относятся, в частности, использование неподходящей электропроводки и (или) подача недостаточного или не соответствующего требованиям напряжения.
8. Сменные компоненты, устанавливаемые на месте эксплуатации ТОЛЬКО техническим обслуживающим персоналом, уполномоченным фирмой CAMBRO, гарантируются на срок, соответствующий продолжительности действия гарантии на оборудование или на 90 дней, начиная с даты установки, в зависимости от того, какой из этих сроков продолжительнее. Настоящая гарантия относится исключительно к стоимости компонентов и не покрывает затраты, связанные с доставкой или с оплатой труда.
9. Настоящими гарантийными обязательствами ограничиваются любые правоприязнания к компании Cambro Manufacturing, относящиеся к продукции, основанные на принципах деликтного права или на каких-либо иных юридических принципах и связанные с гарантийными обязательствами, заверениями, инструкциями, установкой или дефектами, вызванными какими бы то ни было причинами. Компания Cambro Manufacturing не несет ответственности, на основе каких бы то ни было правовых принципов, за потерю возможностей использования, доходов или прибыли, за невозможность замены ее продукцией какой-либо иной продукции или за несоответствие эксплуатационных характеристик ее продукции каким-либо требованиям, а также за случайные, косвенные или фактические убытки или какие-либо иные подобные потери или издержки.
10. НАСТОЯЩАЯ ГАРАНТИЯ И ВЫШЕИЗЛОЖЕННЫЕ ЗАВЕРЕНИЯ И УСЛОВИЯ ИСКЛЮЧАЮТ И ЗАМЕНЯЮТ ЛЮБЫЕ ДРУГИЕ ГАРАНТИИ И ВИДЫ ОТВЕТСТВЕННОСТИ, В ТОМ ЧИСЛЕ, В ЧАСТНОСТИ, ДРУГИЕ ГАРАНТИЙНЫЕ ОБЯЗАТЕЛЬСТВА, ВЫРАЖЕННЫЕ ИЛИ ПОДРАЗУМЕВАЮЩИЕСЯ, ОТНОСЯЩИЕСЯ К КОММЕРЧЕСКОЙ ЦЕННОСТИ ПРОДУКЦИИ ИЛИ К ЕЕ СООТВЕТВИЮ ТОМУ ИЛИ ИНОМУ ОПРЕДЕЛЕННОМУ НАЗНАЧЕНИЮ, И ПРЕДСТАВЛЯЮТ СОБОЙ ЕДИНСТВЕННУЮ ГАРАНТИЮ КОМПАНИИ CAMBRO MANUFACTURING, ОТНОСЯЩУЮСЯ К ЕЕ ПРОДУКЦИИ.

ПРАВИЛА ВОЗВРАТА ПРОДУКЦИИ: Продукция компании Cambro Manufacturing не подлежит возврату без предварительного получения письменного разрешения изготовителя на возврат продукции (RMA). За повторное складирование возвращаемой продукции взимается сбор в размере 15% стоимости продукции; кроме того, возвращающая сторона оплачивает любые издержки, связанные с необходимым ремонтом возвращаемого оборудования. Продукция не подлежит возврату по прошествии 90 дней после наступления даты оформления счета-фактуры. Возвращаемые электрические компоненты подлежат инспекции перед начислением кредита. Электрические компоненты, установленные оператором или не уполномоченным обслуживающим персоналом, не подлежат возврату с начислением кредита.

取扱説明書

キャンブロ®エレクトリックホットホールディング・ ウルトラパンキャリアー®Hシリーズ、 ウルトラカムカート®Hシリーズ、交換用加熱ドア

この取扱説明書は、次の製品に適用されます。

ウルトラパンキャリアー®Hシリーズ

UPCH400 / 4002

ウルトラカムカート®Hシリーズ

UPCH800 / 8002

UPCH1600 / 16002

交換用加熱ドアのみ

交換用

あるいは、ノンエレクトリック
ウルトラパンキャリアーま
たはウルトラカムカート仕様変更

※:モデル番号の最後が2となっ
ているのは、220V用です。
このマニュアルの説明
は、110Vと220Vの両方
を対象としています。



UPCH400
UPCH4002



UPCH1600
UPCH16002



UPCH800
UPCH8002

CAMBRO
TRUSTED FOR GENERATIONS™

CAMBRO U.S.A.
5801 Skylab Road, Huntington Beach, CA 92647
P.O. Box 2000, Huntington Beach, CA 92647-2000
TEL: (714) 848 1555 FAX: (714) 842 3430

JAPAN
TEL: (81) 90 4387 8999
E-mail: rtay@cambro.com

言語

English	1
Español.....	5
Français.....	9
Italiano.....	13
Deutsch.....	17
Polski.....	21
Русско.....	25
日本語.....	29
中文.....	33

I. はじめに

キャンブロのエレクトリックホットホールディング・ウルトラパンキャリアー/ウルトラカムカートをお買い上げいただき、ありがとうございます。この取扱説明書は保温トランスポーターの使用およびメンテナンスの方法について説明しています。ご質問がある場合は、キャンブロ代理店までご連絡いただくか、www.cambro.comをご覧ください。お電話でのカスタマーサービス部門へのご連絡は、(800) 833 3003までどうぞ。米国外のお客様は、(714) 848 1555。

II. 安全に関する注意

重要注意:ご使用になる前に説明書をよく読み、大切に保管してください。

- ユニットについている、すべての警告に従ってください。
- 電源は、ヒーターのラベルについているタイプのもの(ボルト、位相、周波数)のみを使用してください。
- 電源コードが擦り切れていたり損傷がある場合には、使用しないでください。
- ユニットは、正しく接地してある電源に接続してください。
- メーカーによって承認されている電源コードや交換部品のみを使用してください。
- 警告! この機器は、濡れたり湿っている状態で使用しないでください。
- 警告! クリーニングや修理・点検の前に、ユニットのプラグを抜いてください。
- 警告! クリーニングの前にヒーターから電源コードを抜いてください。クリーニングには湿った布を使ってください。
- 警告! ヒーターや温度計は決して濡らさないでください。
- 警告! ヒーターをドアから外す前に、電源コードをコンセントから抜いてください。
- 警告! ヒーターの内側カバーは、キャンブロの正規サービス代理店または資格のあるフードサービス機器修理技術者のみが開けるようにしてください。
- 普通の操作時に、ヒーターの蝶ねがしっかり締まっていることを、最低1週間に1回は確認してください。
- この取扱説明書で説明されていない操作上の問題が発生した場合は、資格のあるサービス担当者(電気技師またはフードサービス機器修理技術者)に連絡してください。

注:修理・点検はキャンブロのカスタマーサービスまで、(800) 854 7631、内線4118へ電話お電話ください。保証期間中の修理は、キャンブロの正規サービス代理店までご連絡ください。

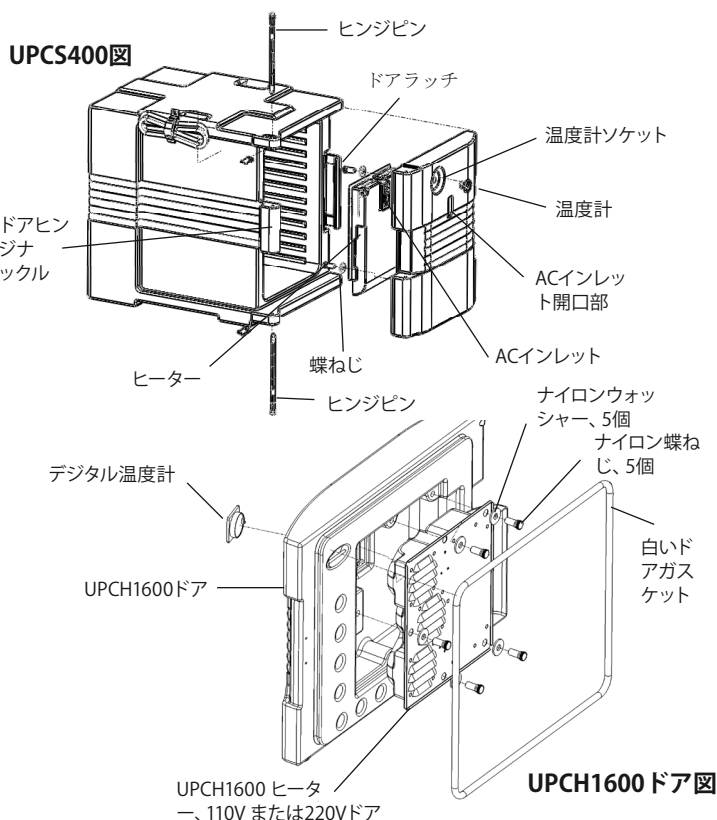
CAUTION - HOT SURFACE



III. 組み立てと製品分解図

全てのUPCH400,UPCH800,UPCH1600は組み立てた状態で出荷されます。

注:使用する前に、コンパートメントの中にあるテープ、タグ、書類などを取り除いてください。



UPCH ヒーターのリセット方法

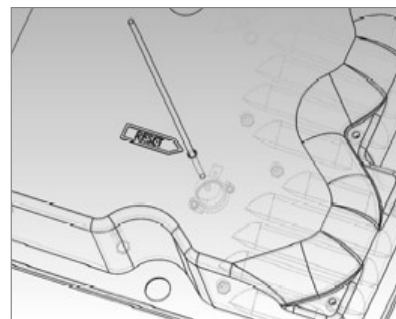
説明: この取扱説明は上限を手動でリセットできる上限サーモスタットが付いたドアヒーター用です。該当するドアヒーターには、加熱ユニットのカバーにリセット用の穴があいていて、穴の近くにRESETというラベルが貼ってあります。

注:注:ドアヒーターは通常の運転では「コントロールサーモスタット」によって自動的に制御されています。コントロールサーモスタットが故障すると、内部の温度が上昇し、プラスチックに損傷を与えることがあります。手動でリセットできる過昇防止サーモスタットは90.6℃に設定されてヒーター回路に組み込まれています。この装置はユニット内の温度過昇時にヒーターの電源を切ります。運転を再開するには温度が85℃以下になってから過昇防止サーモスタットのボタンを押さなければなりません。送風機の故障や温度が87.8℃以上のフードパンを入れた場合などにも、過昇防止サーモスタットが作動することがあります。

注意:感電の危険!

過昇防止サーモスタットをリセットする前に、電源コードをコンセントから抜いてください。リセットボタンを押すときは、必ず「非金属」の工具を使ってください。サーモスタットを直結したり改造しないで下さい。

1. 電源コードを電源コンセントから抜き、電源コードのもう一方の末端をヒーターから抜いてください。
2. ユニットのドアを開け、ヒーターをドアの内側表面にしっかり押えた状態で、5個のつまみねじとウォッシュャーを外してください。この操作は、ユニットからドアを取り外すか、または別のの人にヒーターを押えてもらった状態で行うこともできます。
3. ヒーターを安定した表面に金属部分が下になるように置いたら、RESETのラベルが固定している小さい穴を探してください(注:RESETラベルがついていない場合もあります)。
4. 硬いプラスチック製の混ぜ棒のような、非金属で先端が小さい円形になっているものを穴の中に入れ、過昇防止サーモスタットのボタンを、下図の要領で押してください。
5. ボタンを押すために使った棒を取り出し、ヒーターをドアに戻してウォッシュャーとねじでしっかり締めます。
6. 電源コードをまずドアの前面に、そして反対側を電源コンセントに差し込んでください。ヒーターのスイッチをオンにし(必要な場合)、通常の温度まで加熱することを確認してください。



注:過昇防止サーモスタットをリセットした後で、送風機が正常に動作し、温度が85℃以上にならなことを確認してください。送風機が正常に動作しない場合は、ユニットの内部温度が設定温度に達すると過昇防止サーモスタットが再び作動します。過昇防止サーモスタットの作動の原因が、コントロールサーモスタットが上限温度を76.7℃に制御できなかったということであれば、庫内温度が設定温度に達すると過昇防止サーモスタットが再び作動します。リセットボタンを押してもヒーターが入らない場合は、リセットをもう一度行ってください。加熱後にさどろしくなる状態が継続する場合は、決してサーモスタットを直結したり改造しないで、キャンプロ代理店までご連絡下さい。

IV. 取扱方法

注:このユニットは、事前に温めたフードを保管するように設計されています。フードの予備加熱または再加熱にこのユニットを使用することはできません。警告!濡れたり湿っている状態で使用しないでください。安全に関する注意と警告、セクションIIをご覧ください。

1. ユニットの、100-120 VAC (UPCH400/800/1600モデル) または200-230VAC (UPCH4002/8002/16002モデル)、50/60 HZの主電源につながります。各ドアの内側についている製品ラベルに、電源に関するインフォメーションが明記されています(下記のラベルサンプル参照)。
2. UPCH400およびUPCH800モデルでは、電源がオンになっていると加熱ドアの前面についているライトが赤く点灯します。ユニットに電源スイッチはありません。プラグを電源コンセントに差し込むと、ユニットは自動的にオンになります。UPCH1600では加熱ドア前面についている電源スイッチの切替えでユニットをオン/オフし、オンになっているとスイッチが赤く点灯します。ヒーター作動中は、そのスイッチがアンバー色になっています。ヒーターは工場設定温度に達するまでオンの状態で、設定温度に達するとオフになります。注:ユニット使用中は、工場設定温度を保持するために、必要に応じてスイッチがオン/オフ自動的に切り替わります。
3. 食品を入れる前に、コンパートメントが空の状態ドアを開けて45分間予備加熱をして下さい。ドア内側の温度計が65℃になったら、ホットフードが入ったフードパンをキャリアーまたはカートに入れて、ドアをしっかり閉めてください。注:金属製フードパンまたはシートパンは、プラスチックレールにのせる前に121℃まで冷ましてください。
4. ホットフードが入ったキャリアー/カートを動かすときは、動かす前に電源コードを抜き、キャリアーまたはカートの側面についているコードストラップに固定してください。保温ユニットは、電源から抜いた状態で、ホットフードを熱い状態で4時間以上保持します。※注
5. 必要な場合は、ドアについているポップベントを開けて湿気を出してください(UPCH400とUPCH800ドアのみ)。しっかり掴んでカチッという音がするまで外側に引っ張ってください。ベントを閉めるには、カチッという音がするまで押し込みます。UPCH1600にはパッシブベントがついています。※注 深さ10cmのグリッブリッドR付Hパンに、88℃のお湯を約14L入れ、ドア閉めた庫内の中に保管したテスト結果。4時間後の水温は84℃。

V. 手入れ & メンテナンス

A. ヒーターとドア

警告:クリーニングやメンテナンスは、ユニットが完全に冷めてから実施してください。

警告:ヒーターを水に沈めたり、水を吹きかけたりしないでください。

警告:クリーニングの前に、ヒーターを電源やドアヒーターから外してください。

1. 片手でヒーターを押さえ、もう片方の手でナイロン製蝶ね5個とウォッシャーを外します。**注意!**蝶ねが緩くなるとヒーターが落ちることがあるので、必ずヒーターをしっかり持ってください。まずドアを外して平らな場所に置き、ヒーターを取り外すこともできます。(セクションVI)
2. ヒーターをドアから外したら、お湯と中性洗剤を柔らかい布につけて、部品やドアを拭いてください。
3. きれいなお湯を柔らかい布につけて、洗剤や汚れを拭き取ってください。
4. ヒーターを取り付けて使用する前に、全ての部品を空気乾燥させるか、または乾いた柔らかい布で水分を拭き取ってください。
5. ヒーターを、ドア内側のくぼみに入れます。電源接続のACインレットを、ドアの長方形の穴に合わせてください。
6. ウォッシャーと蝶ねを使ってヒーターをドアに取り付けます。蝶ねを締めるときに、締め過ぎないように注意してください。プライヤーやツールは使用しないでください。通常の使用時に、蝶ねがしっかりと締まっていることを時々確認してください。
7. プラグのピンやコードを点検し、コードが擦り切れていたりブレードがついていない、曲がっている、破損している場合には取り替えてください。
8. クリーニングやメンテナンスのためにドアを外した場合は、セクションVIの手順で取り付けてください。

B. キャリアー/カート本体

1. 中性洗剤を入れたお湯を柔らかい布につけて拭いてください。アンモニアや漂白剤が入った洗剤は使わないでください。
2. 柔らかい布またはブラシで、内側と外側をきれいにします。スチールたわし、研磨パッド、ブラシなどは使わないでください。
3. 固く絞った布巾で洗剤や汚れを拭き取ります。
4. ガasketを洗浄するには、熱い石鹸水が入った容器やシンクにガasketを入れ、軟らかい布かブラシで洗い、お湯でリンスしてから空気乾燥してください。
5. キャリアー/カートの内側と外側に付いた水分は乾いた清潔な軟らかい布で拭き取るか空気乾燥してください。

C. キャスター

クリーニングの後で必ず、キャスターのメンテナンスを実施してください。

1. **Lubriplate #930-AA**、**Keystone #84EPXLT**汎用グリースまたは同様の潤滑剤をキャスターの回転レールウェイに用いて下さい。グリースをつけるには、ニードルノーズアダプター付きグリースガン、または**Sta-lube Moly-graph Assembly Lube**のようなチューブタイプのアプリケーションャーを使ってください(図6)。自動車部品販売店で入手できます。
2. ハブには**WD-40**のような軽油を使用してください(図7)。キャスターに傷がついていないかチェックし、回転に問題がないことを確認してから使用してください。



図6

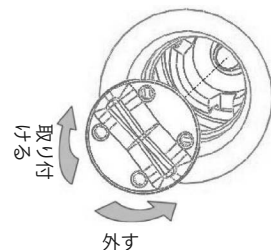


図7

D. ポップアップベントキャップとアンカー (UPCH400/UPCH800 モデルのみ)取り外し方:

1. ベントキャップを通気しないポジションまで押し込みます。
2. リッドまたはドアの、底または内側から、アンカー部品を反時計方向に回して外してください。ドアの外側からキャップを押さえて、回転しないようにするとよいでしょう。
3. アンカー部品がキャップから外れたら、ベントの開口部から完全に引っぱり出す。
4. 温かい石鹸水(中性洗剤のみ使用)に浸して空気乾燥するか、乾燥した清潔な軟らかい布で水分を拭き取ってください。

ポップアップベント図



取り付け方:

1. リッドまたはドアの上部または外側から、キャップ部分をベント開口部に合わせ、通気しないポジションに止まるまで押し込みます。
2. リッドまたはドアの、下部または内側から、アンカー部品を時計方向に回してください。ドアの反対側からキャップを押さえて、回転しないようにするとよいでしょう。2つの部品が完全につながったら、回すのをやめてください。締め過ぎないように注意してください。

VI. Hシリーズ加熱ドアキットの取り付け方法

既存Hシリーズ加熱ドアを交換する、または既存ノンエレクトリックUPC400、UPC800、UPC1600モデルをエレクトリックUPCH400、UPCH800またはUPCH1600ユニットに変更する

交換/設置する前に、次の物を確認してください:

- ヒーター付きドア1枚
注:ドアはトップまたはボトム専用に設計されているので、上下入れ換えて使用できません。取り付けの前に、モデル番号を確認してください。ドア内側のヒンジナックルに**TOP DOOR**または**BOTTOM DOOR**と記載されています。ヒーターのモデル番号とシリアル番号は、ヒーターのラベルに記載されています。
- 取り外し可能な電源コード(モデルによって**110V**または**220V**)1本。
- コードストラップ1本、ねじ、ウォッシャー、ロケーションテンプレート各1個。組み立てに必要なツール: コードストラップ取り付け用(#2)プラスドライバー。



図1



図2



図3



図4



図5



図6a



図6b



図7a



図7b



図8a



図8b

1. 後側を下にしてキャビネット/キャリアーを平らな場所に置きます。ヒンジピンクリップを外してください。UPC400のシングルドアモデルでは、1個がドアヒンジナックルの上に、そしてもう1個がナックルの下についています(図1)。UPC800/UPCH800およびUPC1600/UPCH1600では、1個がトップドアの上にそしてもう1個がボトムドアの下についています。ピボットピンはトップドアの下とボトムドアの上にそれぞれ1個ついてます。
2. ドアを前後に動かしながら、ヒンジピンを引き抜いてください(図2)。ピボットピンを外します。**警告!**ドアが外れるまで、ドアをしっかりつかんでください。
3. ドアを本体から外します(図3)。きついようなら、ドアを動かしてみてください。
4. 新しいドアを図のようにはめ(図4)、ヒンジナックルの位置を調節してください。
5. ヒンジピンをヒンジの穴に入れますが、このときに本体の穴とドアの穴が一直線になるようにしてください(図5)。ドアの位置を調節しながらピンを全部入れてください。UPC800/UPCH800 およびUPC1600/UPCH1600モデルでは、次にヒンジの穴にピボットピンを入れてください。ドアの位置を調節したり回転させて、ピンを全部入れます。
6. 全部のピンが完全に入り、ドアと本体の間の溝が見えるようになったら(図6a)、ヒンジピンクリップのU形になっている端を、ピンの溝にはめします(パチッと音がします)。ドアを回して、ヒンジクリップのV形になっている端を、ヒンジ穴のすぐ後ろのキャリアー/カートのフードストレージエリアの方に押し込みます(図6b)。この操作を、ドアヒンジの上と下で繰り返してください。
7. ついてきたロケーションテンプレートを使ってユニットの側面にコードストラップの位置を決め、ついてきたネジと仕上げウォッシャーでコードストラップを留めます(図7a & 7b)。
8. ヒータードアに取り外し可能なコードを差込み(図8a)、余分なコードをコードストラップで留めてください(図8b)。

VII. トラブルシューティングガイド

警告! 感電の危険があります。修理・点検の前に電源を切ってください。この取扱説明書で説明されていない操作上の問題は、資格のあるサービス担当者(電気技師またはフードサービス機器修理技術者)に連絡してください。ヒーターの内側カバーの中のアイテムを、ユーザーの皆様が調整・修理することはできません。ヒーターの内側カバーは、資格のあるサービス担当者のみが開けるようにしてください。

トラブル	考えられる原因	考えられる対策
ユニットは電源コンセントに接続されているが、加熱しない。	<ul style="list-style-type: none"> 電気が供給されていない、または十分でない。 電源コードが電源にまたはヒーターにしっかり接続されていない。 電源コードに損傷がある。 ヒーターユニットに損傷がある。 	<ul style="list-style-type: none"> ユニットに電気がきているか確認してください。ヒーターラベルに記載されている条件を満たしてなければなりません。 電源コードの両側がしっかり接続されていることを確認してください。 損傷のある電源コードはキャンブロの純正部品の電源コードと交換してください。 ヒーターユニットを交換してください。
ユニットの使用を開始してから1時間以上たっても最低温度の64°Cに達しない。	<ul style="list-style-type: none"> ドアがしっかり閉まっていない、またはガスケットがついていない。 電源コードに損傷があり、加熱ユニットへの電気の供給が断続的になっている。 温度計に損傷がある、または不具合がある。 加熱ユニットに不具合がある。 	<ul style="list-style-type: none"> ガスケットがついていることを、ドアがしっかり閉まっていることを確認してください。 損傷のある電源コードはキャンブロの純正部品の電源コードと交換してください。 ユニット内部の温度は中央にある検査済温度計で測定してください。 送風機に障害物がないか確認します。ない場合には、加熱ユニットを交換してください。
キャビネット内の臭いが消えない。	<ul style="list-style-type: none"> ユニットを初めてオンにした。 フードをキャビネット内に長時間放置していた。 	<ul style="list-style-type: none"> 初めて使うときは、電源を入れてから1時間程ドアを開けたままで作動させて、キャビネット内の空気を入れ替える。 水とベーキングソーダが入ったフードパンをキャビネットに入れて、ヒーターを1時間程オンにしておく。 それでも臭いが消えない場合は、キャンブロのカスタマーサービスまで、(800)833 3003へ電話する。

VIII. 交換部品

交換部品のリストは、www.combro.comをご覧ください。正しい交換部品を選ぶために、キャンブロカート/キャリアーまたはヒーターのモデル番号が必要です。キャリアーまたはカートのモデル番号は、ドアの内側または本体の底部についています。ヒーターのモデル番号とシリアル番号は、ヒーターのラベルに記載されています。

交換部品のご注文方法:

- キャンブロのカスタマーサービスまで(800) 833 3003へ電話する。または
- ご注文を(714) 842 3430までファクス送信する。または
- キャンブロ代理店まで電話連絡する。

IX. キャンブロの保証および製品損害賠償責任

オリジナル業務用電気機器に対する限定保証

キャンブロ・マニュファクチャリングは、その新しい製品が素材や仕上げに関して欠陥がないことを、キャンブロの正規ディストリビューションセンターから出荷された日から1年間保証いたします。

保証の条件及び制限について

- この保証は、キャンブロ・マニュファクチャリングによって米国内およびカナダで正規製品の所有者に販売された製品を対象としています。それ以外の国での保証クレームに関しては、最寄のキャンブロ代理店までお問い合わせください。
- キャンブロ・マニュファクチャリングの法的責任は、欠陥とみなされた部品の修理または交換に制限されます。予防メンテナンスやクリーニングに必要な部品や人件費は、この保証の対象とはなりません。
- キャンブロ・マニュファクチャリングは、認可サービス代理店から80 km (50マイル) 以内にある保証対象機器の修理や交換にかかる普通の費用を負担いたします。80 km (50マイル) 以上離れた場所への旅費や時間給は、そのサービスを要請している個人または企業の責任となります。保証対象ユニットの修理/点検は、普通の労働時間内に実施されます。労働時間外の超過勤務手当はユニット購入者の責任となり、この保証の対象外です。
- サービス技術者が、修理が必要なユニットに接近できない、または修理を実施できないような状況をつくりだす遅延や操作制約がある場合には、それが原因で発生する費用はこの保証の対象とはなりません。これには企業施設、矯正施設、軍事施設、海洋施設が含まれます。
- キャンブロ・マニュファクチャリングは、誤用または乱用を受けた、きつい化学薬品に接触した、洪水、火災、その他の天災による損害を受けた、認可技術者以外によって改造された、シリアル番号が変更されているまたは無いという製品に対して、責任をとることはできません。
- キャンブロ・マニュファクチャリングは製品の、住居での使用を含む、しかもそれに制限されない、非商業的用途での使用を勧めたり承認することはできません。製品を非商業的用途で使用または設置すると、製品を非商業的用途に使用または設置することが原因で起きる損害、コスト、法的手段に対する責任を含む、市販性や特定目的との適合性に対する明示または暗示の全ての保証が無効となります。
- 一般的に最初の設置に必要な、較正、水平化、ファスナー締め付け等の調整はディーラーまたは設置業者の責任で、キャンブロ・マニュファクチャリングの責任ではありません。誤った設置には、不適切な電気配線や不十分/不適切な電圧などが含まれ、しかもそれに制限されません。
- 交換部品は、それがキャンブロ認可サービス技術者によって交換された場合に限り、機器の保証期間中または設置から90日以内のいずれか長い方の期間だけ保証の対象となります。この保証は部品のコストだけが対象となり、送料や人件費は含まれません。
- この保証は、契約の記述または不法行為のあるなし、他の法理論への従属を問わず、この保証、表明、指示、設置、または原因を問わない欠陥などに関する、製品に対するキャンブロ・マニュファクチャリングの唯一の法的救済です。キャンブロ・マニュファクチャリングは、どのような法理論においても、使用、収入または利益の損失、または代替使用や性能、そして付随的、間接的、特別または派生的な損害または他のどのような損失または同様のコストに対しても、賠償責任を負うことはできません。
- この保証、表明、およびここに定める条件は、市販性や特定目的との適合性に対する明示または暗示の全ての保証を含む、しかもそれに制限されない、他の保証や法的責任すべてに代わる唯一のもので、製品に関するキャンブロ・マニュファクチャリングによる唯一の保証です。

返品条件: キャンブロ・マニュファクチャリング製品の返品には、書面による工場の許可(RMA)が事前に必要です。在庫に戻す手数料としての15%と、機器の調整に必要なコストを請求させていただきます。請求書発行から90日以上たつた製品は返品できません。クレジットを発行する前に、返品された電気部品の点検を行います。オペレータまたは非認可サービス代理店が取り付けした電気部品は返品できず、それに対するクレジットも発行できません。

用户手册

CAMBRO® 电力式大型热食盘箱® H 系列 大型 CAMCART® 保温车 H 系列和加热式更换柜门

本使用说明书适用于下列产品目录中各种型号的所有变化：

大型盘箱® H 系列

UPCH400 / 4002

大型Camcart® H 系列

UPCH800 / 8002

UPCH1600 / 16002

加热式更换柜门

仅供更换

或改造非电力式大型盘箱或

大型 Camcart 保温车

注：所有以“2”结尾的型号表明适用220伏。本手册中所有说明均适用110伏和220伏两种型号。



UPCH400
UPCH4002



UPCH1600
UPCH16002



UPCH800
UPCH8002

CAMBRO
IMITATED. NEVER DUPLICATED.

CAMBRO U.S.A.
5801 Skylab Road, Huntington Beach, CA 92647
P.O. Box 2000, Huntington Beach, CA 92647-2000
TEL: (714) 848 1555 FAX: (714) 842 3430

惠州勒宝商业有限公司
广东省惠州市麦地路一号，
风尚国际18楼A座
电话：(86) 752 238 7829
传真：(86) 752 238 7019
E-mail: achen@cambro.com

语言

English	1
Español.....	5
Français.....	9
Italiano.....	13
Deutsch	17
Polski.....	21
Русско.....	25
日本語.....	29
中文.....	33

I. 产品介绍

恭喜您购得新款 Cambro 电力式大型热食盘箱或大型 Camcart 保温车。本用户手册为您提供分步骤的指南，用于操作和维护您的保温运输新产品。如果您有任何其他疑问，请联络您的 Cambro 销售代表，访问我们的网站 www.cambro.com 或致电我们的客户服务部门，电话为 (800) 833 3003。国际客户请致电 (714) 848 1555。

II. 安全说明

重要提示：使用之前请阅读所有说明，并妥善保管以备将来参考。

- 请遵守设备上标示的所有警告。
- 仅使用加热设备标签上指明的电源类型（电压、电相、频率）。
- 如果电源线磨损或损坏，请不要使用。
- 请将设备连接到经过适当接地的电源。
- 仅使用制造商许可的电源线和更换部件。
- **警告！**不要在潮湿条件下使用本设备。
- **警告！**清洗或维修之前应拔下设备的电源插头。
- **警告！**清洗之前应将电源线从加热器上拔下。只能使用湿布进行清洁。
- **警告！**在任何情况下都要避免弄湿加热器或温度计。
- **警告！**在把加热器从柜门上拆卸下来之前，应拔下电源线。
- **警告！**只有 Cambro 授权服务代理或具备资格的食品服务设备技师才可以打开加热器的内盖进行维修。
- 在正常操作期间，应至少一周检查一次加热器的螺钉是否紧固。
- 本手册说明中未提及和未有纠正意见的任何操作问题均应由具备资格的服务人员（电工或食品服务设备技师）处理。



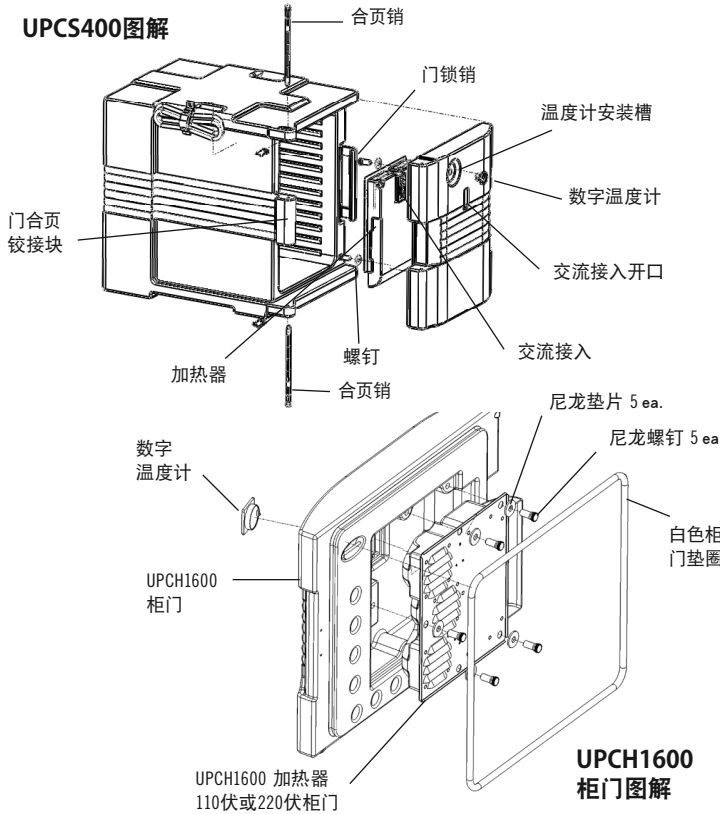
注：如需维修，请联系 Cambro，电话为 (800) 854 7631 转 4118。
保修期间的设备仅应由 Cambro 授权服务代理来维修。

III. 装备与部件分解图

为了方便用户，所有 UPCH400、UPCH800 和 UPCH1600 产品均已在厂家组装完毕。无需组装。

注：操作前请取下内部储仓的胶带、标签或相关文件。

UPCH400图解



重设 UPCH 加热器操作说明

用法说明：此文件仅涉及生产配有手动可调上限温控器的柜门加热器。配有此功能的柜门加热器在加热设备的罩壳上会有一个检查孔，并且在孔附近会有一个“重设”标签。

注：柜门加热器的常规操作由自动循环的“控制恒温器”来调节。控制恒温器故障可能会导致 Cambro 产品内部温度上升到足以对塑料造成损坏的温度水平。设定在 90.6°C 的手动可调的上限温控器内置于加热器电路中。此设备将有效关闭加热设备内的加热器的供电，直到温度低于 85°C 以前都不会使其恢复常规操作，此时上限温控器上的按钮将被按下。其他因素可能会导致上限温控器被打开，例如风扇故障或放入的食品盘温度高于 87.8°C。

小心：有触电危害！

在试图重设上限温控器之前，请将加热器电源线从电源上拔下。仅可使用“非金属”工具来按压重设按钮。

请勿以任何方式绕开或修改温控器。

1. 从墙壁上的插座或电源上取下电源线并将另一端从加热器正面取下。
2. 打开 Cambro 产品的柜门，紧紧握住加热器，拆下 5 个用垫片将加热器固定在柜门内表面上的螺钉。也可从 Cambro 产品上拆下柜门之后或让另一人帮您握住加热器情况下完成这一工作。
3. 一旦您将加热器以金属部位面朝下的方式放在平稳表面上之后，请找到罩壳内的小圆孔，孔边有“重设”字样（有些设备上可能没有“重设”字样）。
4. 使用直径小的非金属圆形物件（例如硬质塑料搅拌棒），穿过圆孔并按下上限温控器上的按钮，如下图所示。
5. 取下您用来按下按钮的物件，将加热器放回柜门上，换上带垫片的螺钉并拧紧。
6. 将电源线插入柜门正面，然后接上电源。开启加热器（如果需要）并核实其正在加热升温到正常温度。

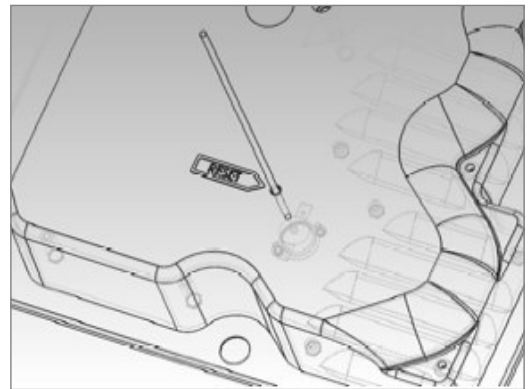
IV. 操作说明

注：设备经过设计，仅可用于保存预先加热过的热食。绝对不要用于对食品进行预先加热或再次加热。

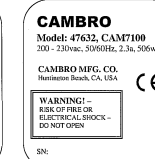
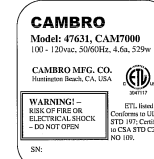
警告！绝对不要在潮湿条件下使用。请参阅第 11 节的安全说明与警告。

1. 请接入 110-120 VAC (UPCH400/800/1600 型号) 或 200-230VAC UPCH400/800/1600 型号) 50/60 赫兹的主电源。位于每一柜门内部的加热设备上的产品标签都会清楚注明电源信息（请参阅下方标签示例）。
2. 对于 UPCH400 和 UPCH800 型号的产品，加热柜门正面的红灯表明电源开启。无电源开关 设备在插入插座时就会自动开启。UPCH1600 型号产品是通过扣动加热柜门正面的电源开关来激活电源的，当电源开启时，会变红色。同一开关上的琥珀色灯表明加热器正在工作中。直到加热器达到出厂设定温度以前会一直亮着，达到后将关掉。注 加热器在操作过程中会根据需要开启和关闭，以保持出厂设定温度。
3. 在装入热食之前，请预先加热空储仓，保持柜门关闭，持续 45 分钟。当门内温度计读数达到 150°F (65°C) 时，把装盘的热食插入盘箱或保温车中，紧密锁闭柜门。注：在将金属盘或浅盘放入塑料滑轨上之前，请冷却到 121.1°C。
4. 运输装有热食的盘箱/保温车时，请在移动之前拔下线缆并存放在位于盘箱或保温车侧壁的束线带上。在拔下电源的情况下，保温设备能将热食保温 4 小时以上*。
5. 如有需要，请打开门内的排气插销释放水汽/蒸汽（仅限 UPCH400 和 UPCH800 的柜门）。请紧紧抓住并向外拔，直到发出咔哒声。如需关上排气插销，请向内推，直到发出咔哒声。UPCH1600 型号产品有内置的被动排气装置。

根据测试得出，测试时使用 10 厘米深的 H 盘，Griplids® 填充了约 14.2 升 87.7°C 的水后存放在储仓内，柜门关闭。4 小时内，水温降至 83.9°C。



注：在重设上限温控器之后，请核实所有风扇均在工作并且温度不会升到 85°C 以上。如果风扇未工作，当加热器封装内的热量达到设定温度之后，上限温控将被再次激活。如果最初的原因是控制恒温器出现故障，无法将温度限制在 76.7°C，当加热器封装内的热量达到设定温度之后，上限温控将被再次激活。如果在按下重设按钮之后加热器无法工作，请再次尝试这一规程，或者，如果在加热一段时间后又继续停止工作，请勿以任何方式绕开或修改温控器，并与您的 Cambro 代表联系。



V. 保养与维护

A. 加热器和柜门

警告：在清洁或维护之前请彻底冷却加热设备。

警告：请勿将加热器浸入水中或在上面积水。

警告：在清洗之前请将加热器从接地电源和柜门加热器上拔下

1. 仔细地用一只手从加热器上拆下尼龙螺钉和垫片，同时用另一只手握紧加热器。**小心！**一旦您开始拧松螺钉，加热器就可能掉落，除非您紧紧地握住它。您也可拆下柜门并将其面朝下放在平坦表面上，以便拆下加热器。（第 VI 节）
2. 一旦加热器被从柜门上拆下之后，请用中性洗涤剂、热水和软布清洗各部件和柜门。
3. 用软布和干净的热热水冲洗，去除肥皂和污垢。
4. 在重新组装和使用加热器之前请彻底风干所有部件或用干净的柔软干布擦干。
5. 仔细地将加热器放入柜门内表面的凹陷区域内。用于电源连接的交流接口应当与门上的长方形孔对齐。
6. 用垫片和螺钉将加热器再次附到门上。拧紧螺钉，但是不要过分用力。不要使用钳子或工具。在正常操作期间，请定期检查螺钉是否紧固。
7. 检查插头插片和电源线，如果磨损或插片丢失、弯曲或折断，请更换电源线。
8. 如果柜门被拆下进行清洗或维护，请根据第 VI 节的说明重新装上。

B. 盘箱/保温车柜体

1. 请用中性洗涤剂、热水和软布清洗。请勿使用含有氨水或漂白剂的洗涤剂或清洁剂。
2. 用柔软的布或刷子手清洗所有内部和外部表面。请勿使用钢制丝棉或研磨擦洗垫或刷子。
3. 用温水或热水冲洗产品，去除肥皂和污垢。
4. 将垫圈放到有热肥皂水的容器或水池内进行清洗，用柔软的布或刷子擦干，用热水冲洗并风干。
5. 风干或用干净的柔软干布擦干盘箱/保温车内外外部。

C. 脚轮

每次清洗之后都应当进行脚轮的维护。

1. 用润滑剂给脚轮的旋转槽润滑。例如，#930-AA 润滑剂、Keystone #84EPXLT 多用途油脂或同等产品。用带尖嘴适配器的润滑油枪或管式涂抹器将油脂抹上，例如 Sta-lube Moly-graph 组装油（图 6）。这些在大多数汽车配件专卖店都可买到。
2. 在轮毂上使用轻质油，例如 WD-40（图 7）。在返回维修之前，请检查脚轮是否损坏并测试脚轮旋转情况。



图 6



图 7

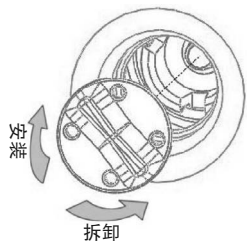
D. 弹出式通气孔盖和固定装置 (仅限 UPCH400/UPCH800 型号产品)

如需拆卸：

1. 向下压通气孔盖，压入无通气操作位置。
2. 从盖子或门的底部或内侧，以逆时针方向拧下固定部件。请握住门“外”侧的孔盖，防止其转动。
3. 一旦固定部件与孔盖脱离之后，请向上拉孔盖，直到其彻底从通气开口拉出。
4. 在温肥皂水中浸泡和/或清洗（仅可使用中性洗涤剂）并进行风干或用干净软布擦干。

如需安装：

1. 将孔盖部件从盖子或门的顶部或外表面放入通气开口内，将其完全推入开口，直推到底（处于无通气操作位置）。
2. 从盖子或门的底部或内侧，以顺时针方向拧上固定部件。您可能需要握住门另一侧的孔盖，防止其转动。当两个部件完全连接之后，停止转动。不要拧得过紧。



弹出式通气孔图解

VI. H 系列加热门套件安装说明

更换现有 H 系列加热门或将现有的非电力 UPC400、UPC800、UPC1600 型号产品改装成电力式 UPC400、UPC800 或 UPC1600 设备在更换和/或安装之前，请确保备齐以下物件：

- 1 个带加热器的门
注：这些门经过设计适合在橱柜顶部或底部使用，并且是不可互换的。务必确保您在安装之前备好正确型号的产品。“顶门”或“底门”字样模塑在门合页铰接块内表面。加热器型号和系列号在加热器标签上。
 - 1 条可分离的电源线（110伏或220伏，视型号而定）。
 - 1 个束线带和 1 套螺钉和修整垫片和定位模板。
- 安装所需工具——用于安装束线带的#2 十字螺丝刀。



图 1



图 2



图 3



图 4



图 5



图 6a



图 6b



图 7a



图 7b



图 8a



图 8b

1. 把橱柜或盘箱背面着地、门朝上放平。找到并拆下合页销的夹子。在 UPC400 单门型号产品上，有一个位于门合页铰接块的顶部，另一个位于门合页铰接块的底部（图 1）。在 UPC800/UPCH800 和 UPC1600/UPCH1600 上，一个合页销位于顶门顶部，一个位于底门底部，并且在顶门底部和底门顶部有枢轴销。
2. 一边前后旋转柜门，一边将合页销抽出（图 2）。拆下枢轴销。**警告！**一直握住柜门，直到柜门松动并能够被取下。
3. 将柜门从柜体上抽出（图 3）。可能会有点紧，需要经过调整力度才能拆下。
4. 把新柜门按照图示位置放置进行安装（图 4），对齐合页销。
5. 首先将合页销放入合页孔内，将柜体上的孔与门上的孔对齐（图 5）。根据需要调整柜门位置，以便让所有销子能够穿入。对于 UPC800/UPCH800 和 UPC1600/UPCH1600 型号产品，请接着将枢轴销放入合页孔内。根据需要调整柜门位置或进行旋转，以便让所有销子能够完整穿入到位。
6. 在所有销子完全就位后，在柜门和柜体之间可以看到凹槽（图 6a），把“U”形合页销夹子的末端扣接在销子的凹槽上。旋转柜门，从而把“V”形合页夹子末端按压在内铸凸筋上，正位于合页孔后面并朝向盘箱/保温车的食品存储区域（图 6b）。柜门合页的顶部和底部位置都依照此方式安装。
7. 使用定位模板在设备侧壁标记并安装束线带，用附带的螺钉和修整垫片固定束线带（图 7a 和 7b）。
8. 把可分离电源线插入（图 8a）加热器柜门并用束线带固定任何多余的电源线（图 8b）。

VII. 故障排除指南

警告！有触电危害——在维修之前断开电源。本手册说明中未提及和未有纠正意见的任何操作问题均应交由具备资格的服务人员（电工或食品服务设备技师）处理。加热器内盖以下没有可由用户维修的部件。只有具备资格的服务人员才可以打开加热器的内盖。

故障	可能的原因	可能的解决方案
设备已经插电但是根本不加热升温。	<ul style="list-style-type: none">没有供电或电力不够。电源线并未完全连接到电源或加热器上。电源线损坏。加热设备损坏。	<ul style="list-style-type: none">检查设备的供电情况。应当与加热器标签上的要求相配。确保电源线两端都紧固连接上了。始终用 Cambro 授权的电源线来更换已损坏的电源线。更换加热设备。
设备已运行 1 小时以上但是并未达到 64°C 的最低温度。	<ul style="list-style-type: none">柜门未完全关闭或垫圈丢失。电源线损坏并造成加热设备供电时断时续。温度计损坏或不能正常工作。加热设备不能正常工作。	<ul style="list-style-type: none">确保柜门已完全关闭且垫圈就位。有小的间隙是可以的，不会影响性能。始终用 Cambro 授权的电源线来更换已损坏的电源线。用经过检验的温度计检查设备内部加热情况，放在设备内部中心位置。检查风扇是否有故障。如果均未发现，请更换加热设备。
橱柜内持久有气味。	<ul style="list-style-type: none">开始启动设备。食品遗留在橱柜内经历过长保存期。	<ul style="list-style-type: none">首次使用时，请将设备插上电并开着门运行 1 小时以便将空气排出橱柜。放入一盆水，内有一些小苏打，开启加热器 1 小时。如果气味持久不散，请联络 Cambro 客户服务部门，电话为 (800) 833 3003。

VIII. 更换部件

请访问 www.cambro.com 网站查看更换部件完整列表。需要 Cambro 保温车或盘箱和/或加热器型号以便确定正确的更换部件。盘箱或保温车型号可在门的内表面上找到或是模压在柜体底部。每个加热器都有一个标签，注明系列号和加热器型号。

更换部件订购方法：

- 致电 Cambro 客户服务部，电话为 (800) 833 3003 或
- 将订单传真至 (714) 842 3430 或
- 致电当地的 Cambro 代表或分销商

IX. Cambro 产品保证与产品义务

原装商用电力式设备有限保证

Cambro 制造保证其新产品从其自授权的 Cambro 分销店发运之日起的 1 年期限内没有材料和制造工艺方面的缺陷。

本保证受以下条件 and 限制的约束：

- 本保证限于 Cambro 制造向美国大陆和加拿大地区原始购买者销售的产品。对于国际保证索赔，请联络当地的 Cambro 代表。
- Cambro 制造的义务限于对任何发现有缺陷的部件进行维修或更换。预防性维护或清洗所需部件和人力不在本保证涵盖范围内。
- Cambro 制造将承担距离授权的服务机构 50 英里 (80 公里) 范围内的受保设备维修或更换过程中发生的正常费用。超过 50 英里 (80 公里) 所需的时间和出行费用将由要求维修服务的人士或企业负责承担。对受保设备进行维修和/或服务所需的人工均应在日常工作时间内完成。加班将向购买者收取溢价费用，并且不在本保证涵盖范围内。
- 若延误或操作限制阻碍服务技师接触有问题的设备或对其提供服务，由此引发的费用不在本保证涵盖范围内。这条规定包括机构、惩戒、军事和海洋设施。
- Cambro 制造对于任何曾被不当处理、滥用、误用、受到苛刻的化学作用、受到水灾、火灾或其他自然灾害损坏、未经授权的人员现场修改或者系列号被改过或遗失的产品不予承担责任或义务。
- Cambro 制造不推荐或授权在非商业应用中使用任何产品，包括但不限于家居使用。在非商业应用中使用或安装任何产品视为放弃所有明示或暗示的产品保证，包括对于特定用途的适销性和适合性的保证，使这些保证无效，包括在任何非商业设定下使用或安装产品造成的损害责任、成本和法律行为。
- 校准、整平、拧紧紧固件或通常与原始安装产品相关的公用设施接驳等调整是经销商或安装商的责任，而不是 Cambro 制造的责任。不当安装包括但不限于使用供电不足的电器线路和/或不足量或不当的电压。
- 由 Cambro 授权服务技师现场更换的更换部件仅在设备保修期内或安装之日起生效的 90 日 (以较长者为准) 内受到保证。本保证仅针对部件成本，不包括运输或人工费用。
- 谨此声明 Cambro 制造对相关产品的全部补偿，无论是依约或侵权或根据任何其他法律理论提出的赔偿，无论是基于产品保证、陈述、说明、安装或任何原因造成的缺陷。Cambro 制造不将依据任何法律理论为以下事项负责，包括产品用途、收益或利润的损失，或替代性使用或性能，或偶然的间接或特殊或从属性损害，或类似类型的其他任何损失或成本。

- 在此设定的本保证及本陈述和条款是唯一的，并且将代替所有其他保证和义务，包括但不限于，其他明示或暗示的关于特定用途的适销性和适用性的保证，并且构成 Cambro 制造对于相关产品的唯一保证。

退货政策：Cambro 制造的产品事先未经厂家书面授权 (RMA) 将不予退货。重新进货费用为价格的 15% 加上重新调整设备所需的任何成本。开票之日起 90 日后不接受退货。退回的电气部件在退款之前要接受检查。经由操作员或未经批准的服务机构安装的电气部件不予退货。