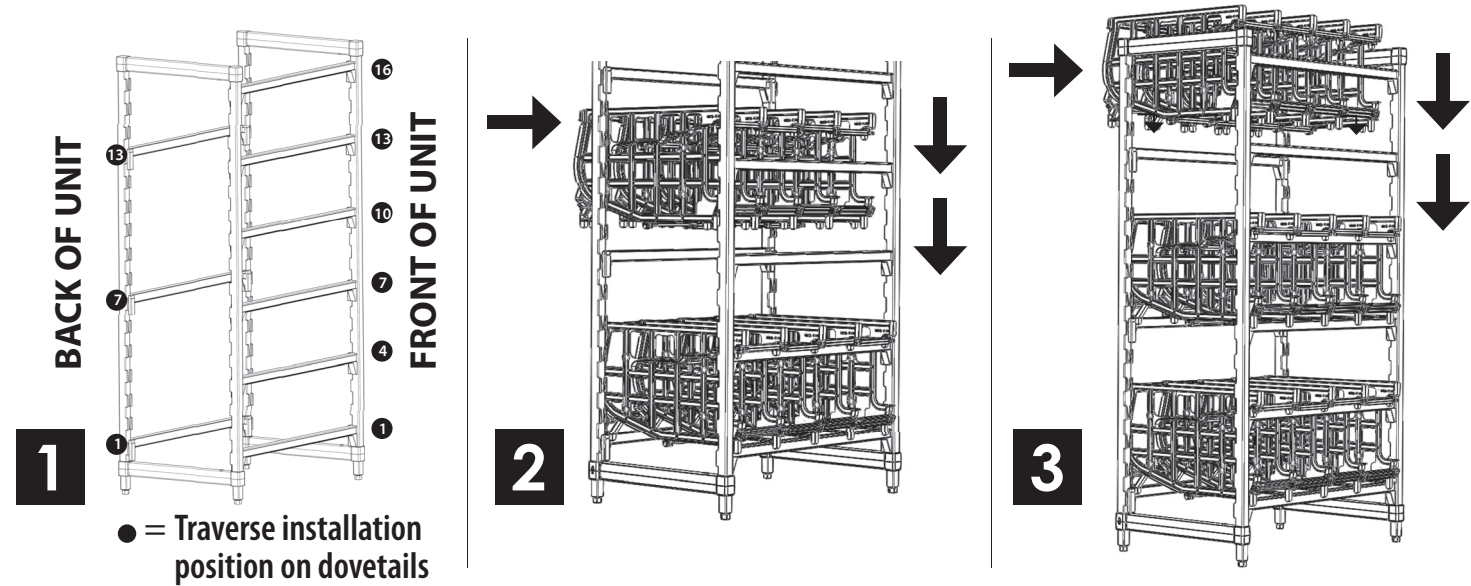


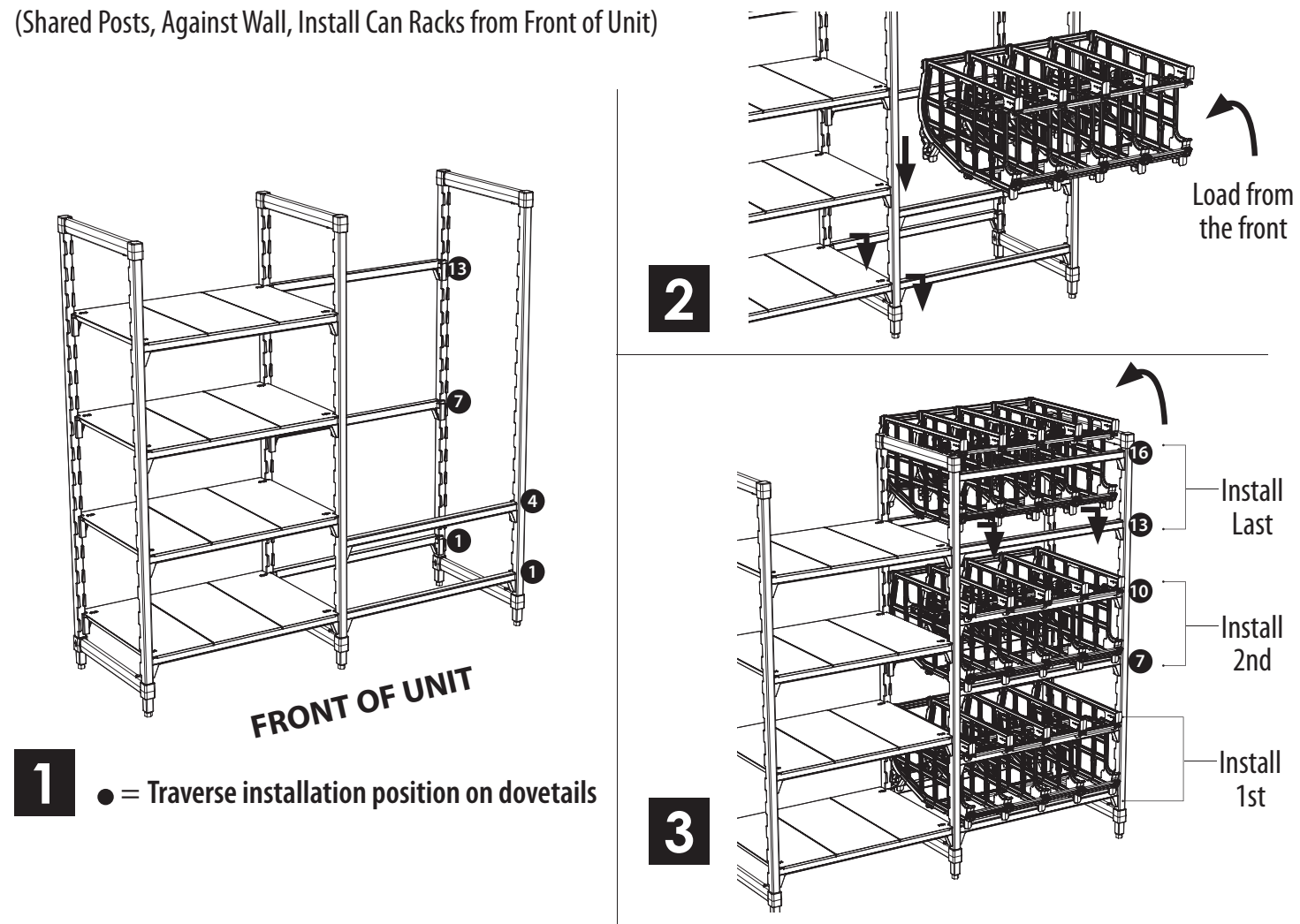
## Full Size Can Rack Starter Unit

(Free Standing, Install Can Racks from Back of Unit)



## Full Size Can Rack Add-on Unit

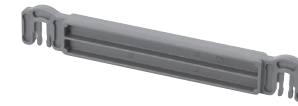
(Shared Posts, Against Wall, Install Can Racks from Front of Unit)



## Camshelving® Ultimate #10 Can Rack

Full-Size Stationary Can Rack Assembly

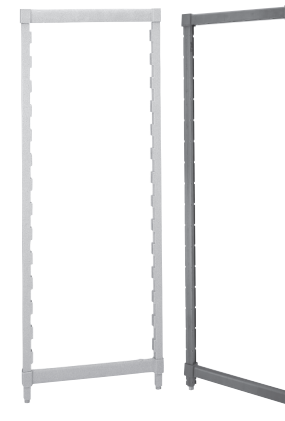
72 Brackets  
(12 bags of 6 each)



15 Side Panels



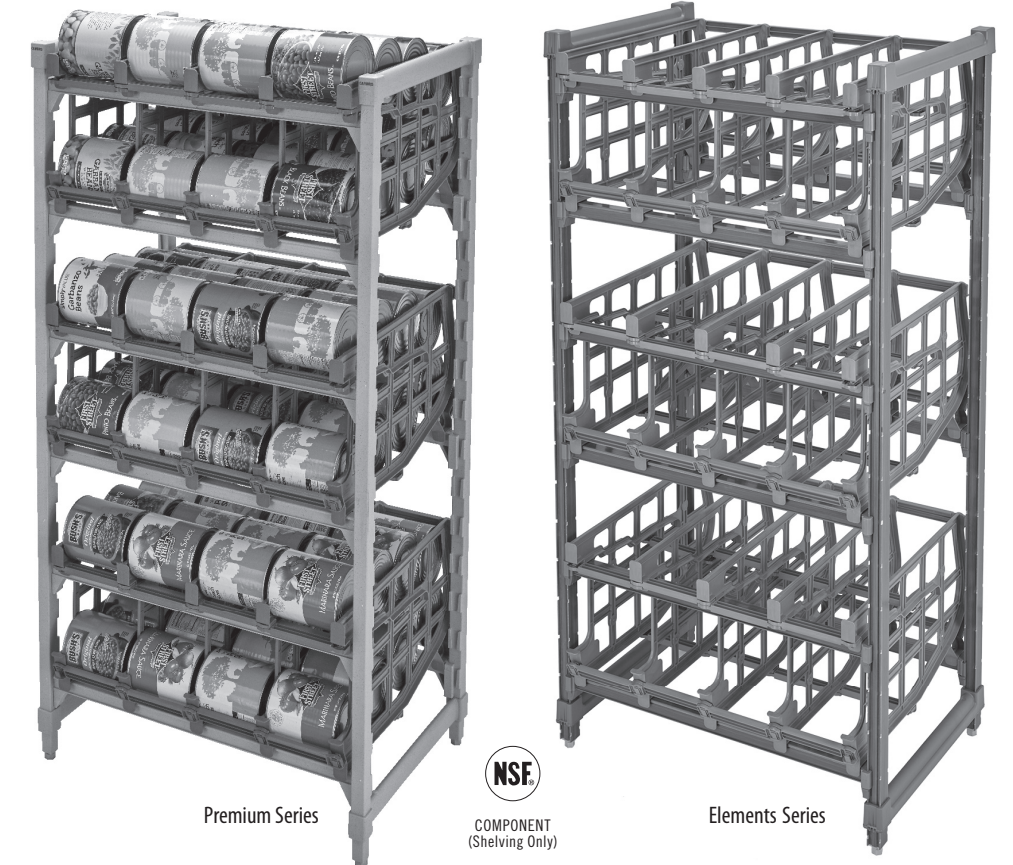
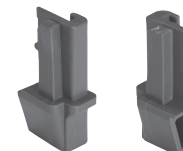
1 or 2 Post Frames



9 Traverses



40 Traverse Dovetails  
(5 bags of 8 each, Elements Series Only)



### Overall Unit Dimensions:

26" D x 36" L x 72" H  
\*34.25" Premium Series Add-on  
\*34" Elements Series Add-on

### Holding Capacity:

8 cans per row  
32 cans per level  
96 cans per unit

### Tools Required



Scan for Assembly Video

**CAMBRO**  
TRUSTED FOR GENERATIONS™

www.cambro.com

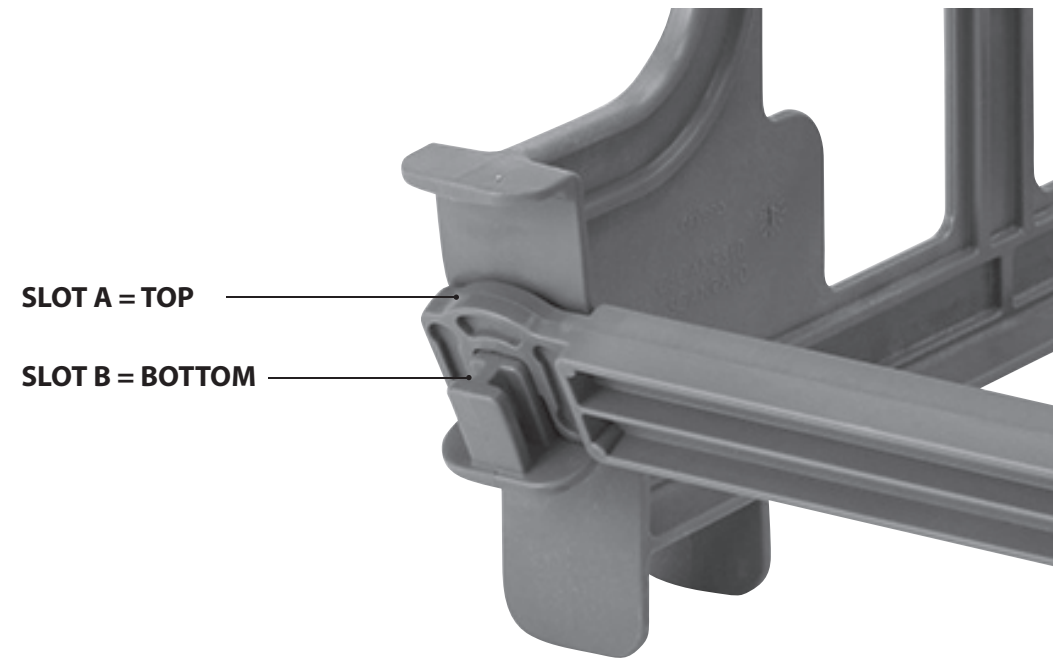
**CAMBRO**  
TRUSTED FOR GENERATIONS™

Telephone 714 848 1555 Toll Free 800 854 7631 Customer Service 800 833 3003  
© Cambro Manufacturing Company 5801 Skylab Road, Huntington Beach, California 92647-2056  
Printed in USA 08/18

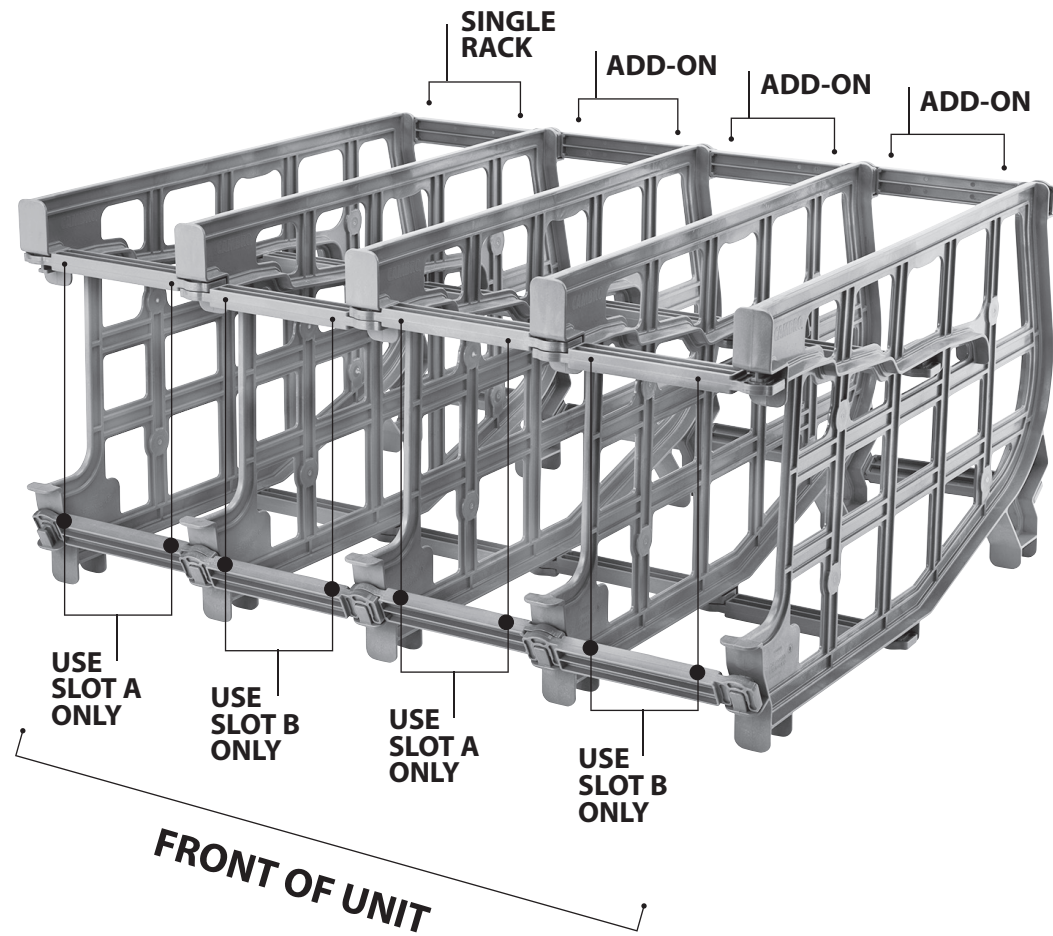
UM10CANU

D051886

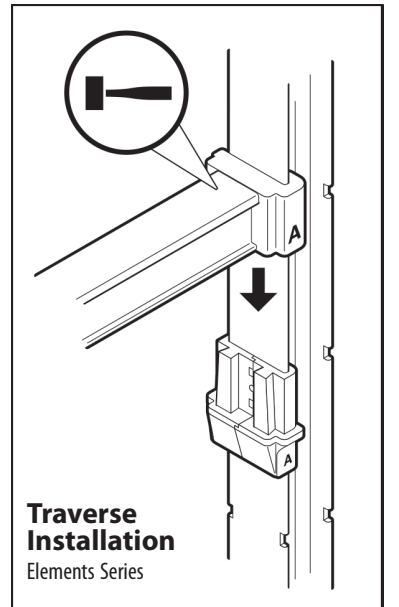
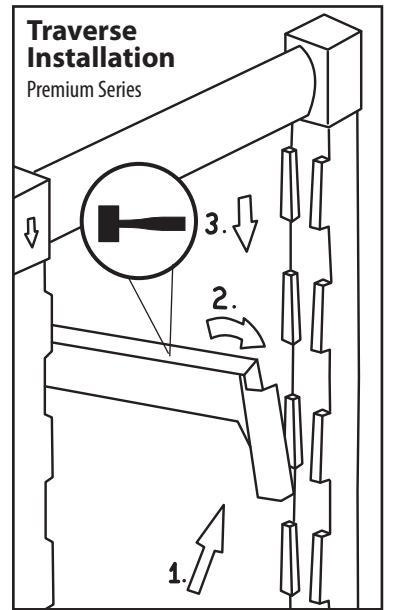
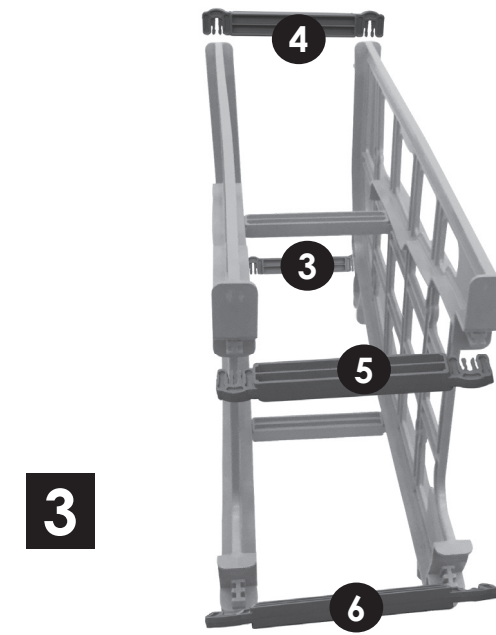
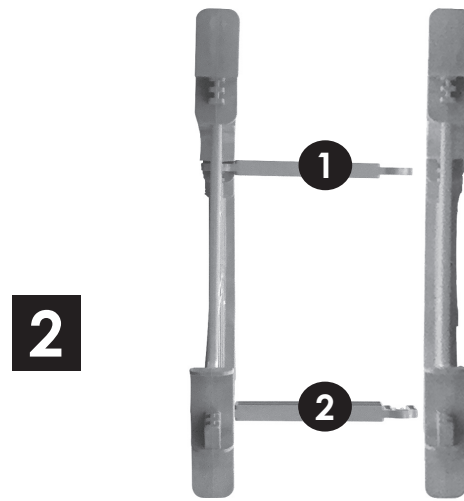
## Bracket Placement Reference



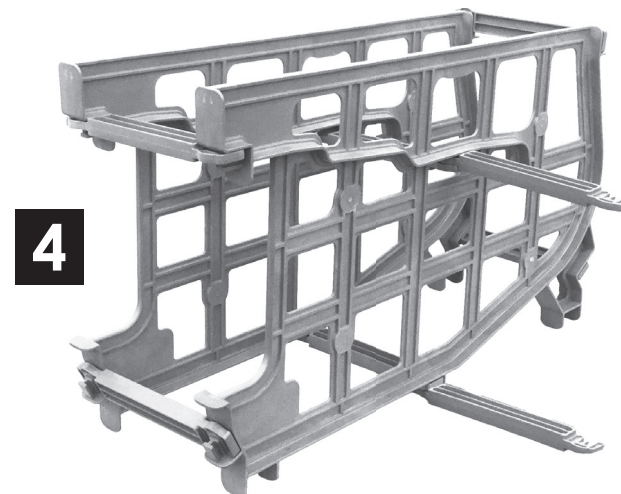
## Single Rack + Add-On Racks



## Single Rack Assembly



## Add-On Rack Assembly



5 Repeat #2.  
Start with  
center brackets.

6 Repeat #3.

