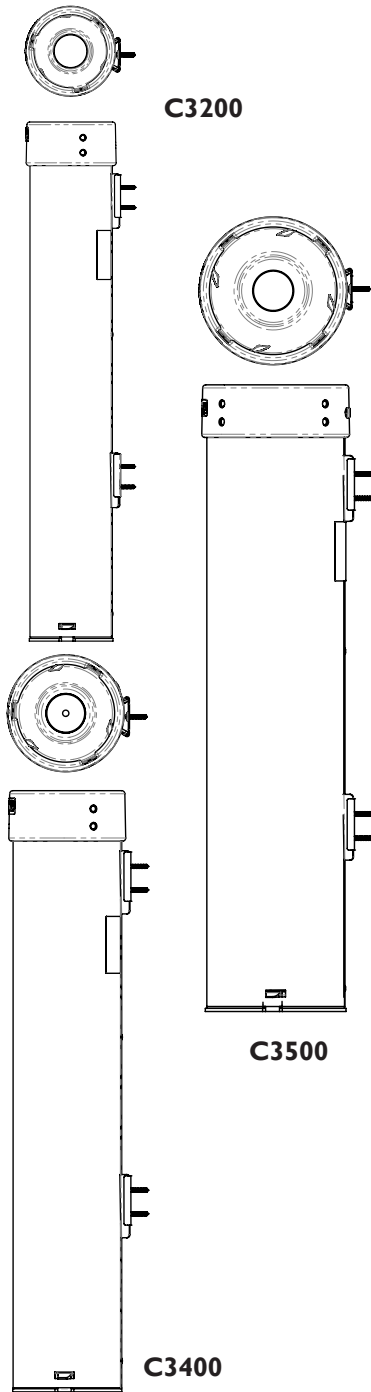


# Stainless Steel Surface-Mount Cup Dispenser



Specifications for Stainless Steel Dispensers	C3200 EF/EH/EV Stainless Steel Surface Mount (Elevator) Beverage Cup	C3400 EF/EH/EV Stainless Steel Surface Mount (Elevator) Beverage Cup	C3500 EF/EH/EV Stainless Steel Surface Mount (Elevator) Beverage Cup
Tube Length	23.8" (604mm)	23.8" (604mm)	23.8" (604mm)
Tube Diameter	4.12" (104mm)	4.62" (117mm)	5.62" (142 mm)
Cup Rim Diameter Range	2 7/32" - 3 3/16" (56-81 mm)	2 3/4" - 3 7/8" (70-98 mm)	4" - 4 7/8" (101-124 mm)
Cup Size Range	6-10 oz. (177-296 ml)	12-24 oz. (355-710 ml)	32-46 oz. (946-1360 ml)

**San Jamar**  
555 Koopman Lane  
Elkhorn, Wisconsin 53121  
USA  
T: +1.262.723.6133  
F: +1.262.723.4204  
info@sanjamar.com  
www.sanjamar.com

**Canada**  
3300 Bloor Street West  
Center Tower, 11th Floor  
Suite 3140 Toronto, ON  
M8X 2X3  
CANADA  
T: +1.416.760.7367  
F: +1.416.207.2071  
canada@sanjamar.com

**Europe**  
Schoorstraat 26a, bus 1  
2220 Heist op-den Berg  
BELGIUM  
T: +32 1522 8140  
F: +32 1522 8148  
emea@sanjamar.com

**México**  
Av. Universidad #1377-701  
Colonia Axotla CP 01030  
Del. Alvaro Obregón  
MEXICO, D.F.  
T: +52 (55) 3626 0772  
F: +52 (55) 5273 4495  
mexico@sanjamar.com

