



# CATALOG OF REPLACEMENT PARTS



## C24EO SERIES CONNECTIONLESS STEAMER

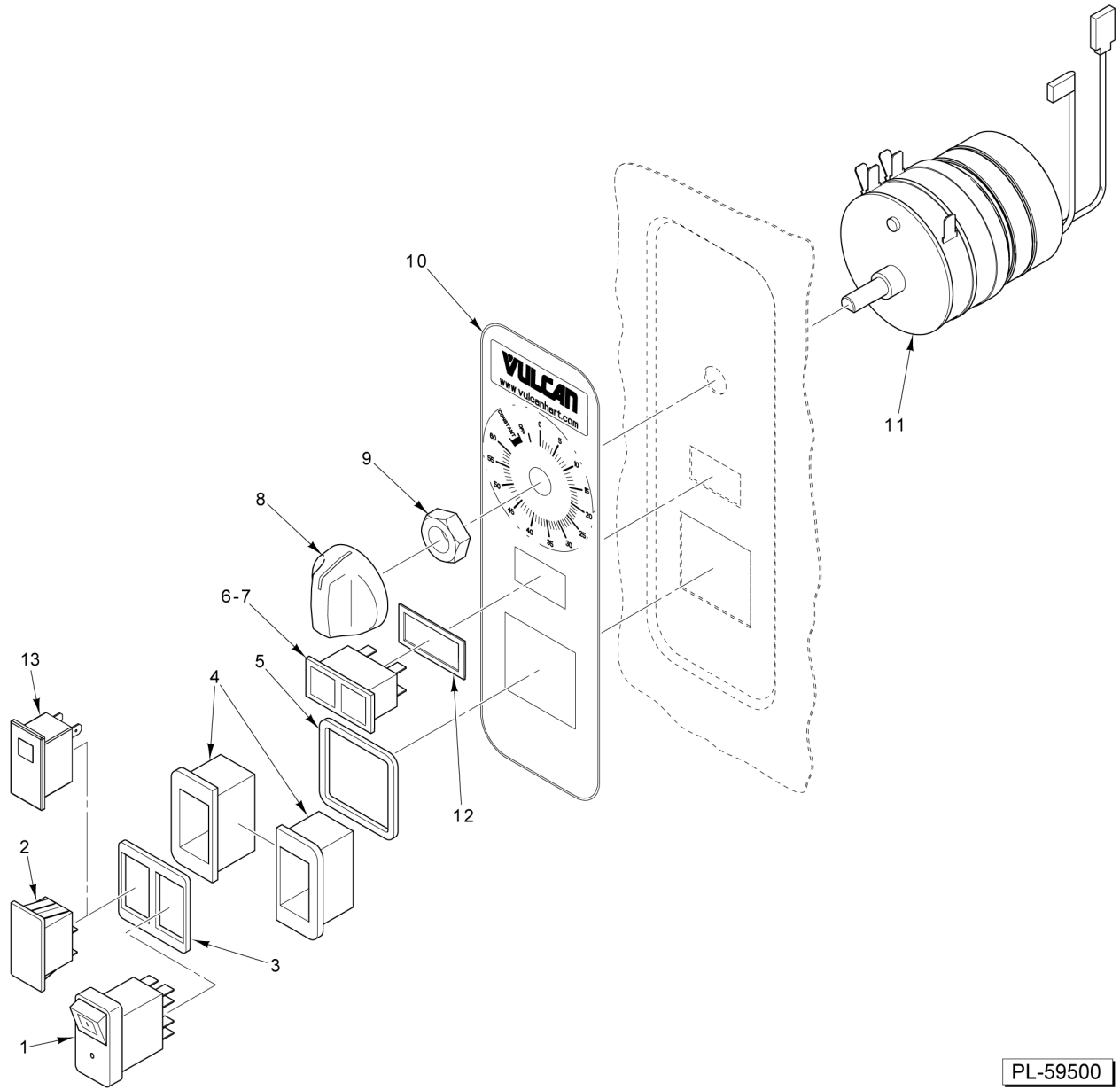
C24EO3  
C24EO5

ML-136006  
ML-136007



**Table of Contents**

5	CONTROLS
7	ELECTRICAL COMPONENTS
9	ELECTRICAL COMPONENTS (AUTOFILL)
11	DOOR
13	COMPARTMENT
15	DRAIN ASSEMBLY
17	HEATER ELEMENT AND SHIELDS
19	CABINET

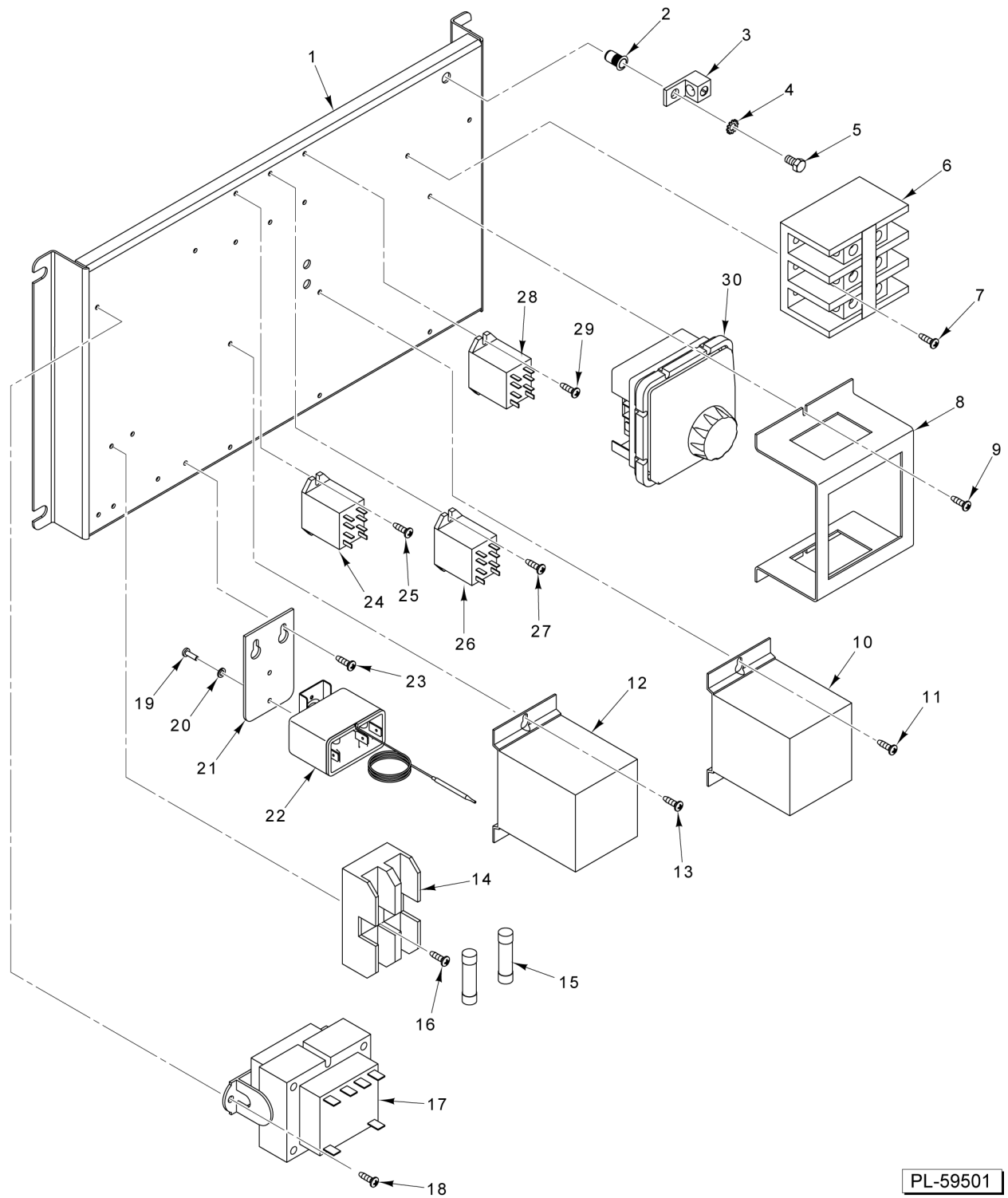


PL-59500

### CONTROLS

**CONTROLS**

ILLUS.	PART NO.	NAME OF PART	AMT.
PL-59500			
1	00-855677-00003	Switch - On/Off Momentary LT. DPDT.....	1
2	00-856680-00001	Plug - Blank Assy. (Incls. Gasket).....	1
3	00-855795-00001	Gasket - Switch.....	1
4	00-855794-00001	Bezel - Switch.....	2
5	00-855796-00001	Gasket - Bezel.....	1
6	00-913102-00265	Double Light Assy. (Amber - Low Water / Red - Cook).....	1
7	00-856680-00001	Plug - Blank Assy. (Incls. Gasket).....	1
8	00-856773-00001	Knob - Timer.....	1
9	00-854693-00001	Shaft - Rotary Seal.....	1
10	00-856771-00002	Overlay - Control (Vulcan).....	1
11	00-913102-0176A	Kit - Timer (Incls Shaft Seal & Knob).....	1
12	00-856680-00001	Plug - Blank Assy. (Incls. Gasket).....	1
13	00-858738-00001	Light - Indicator (Overfill) (Autofill Units Only).....	1

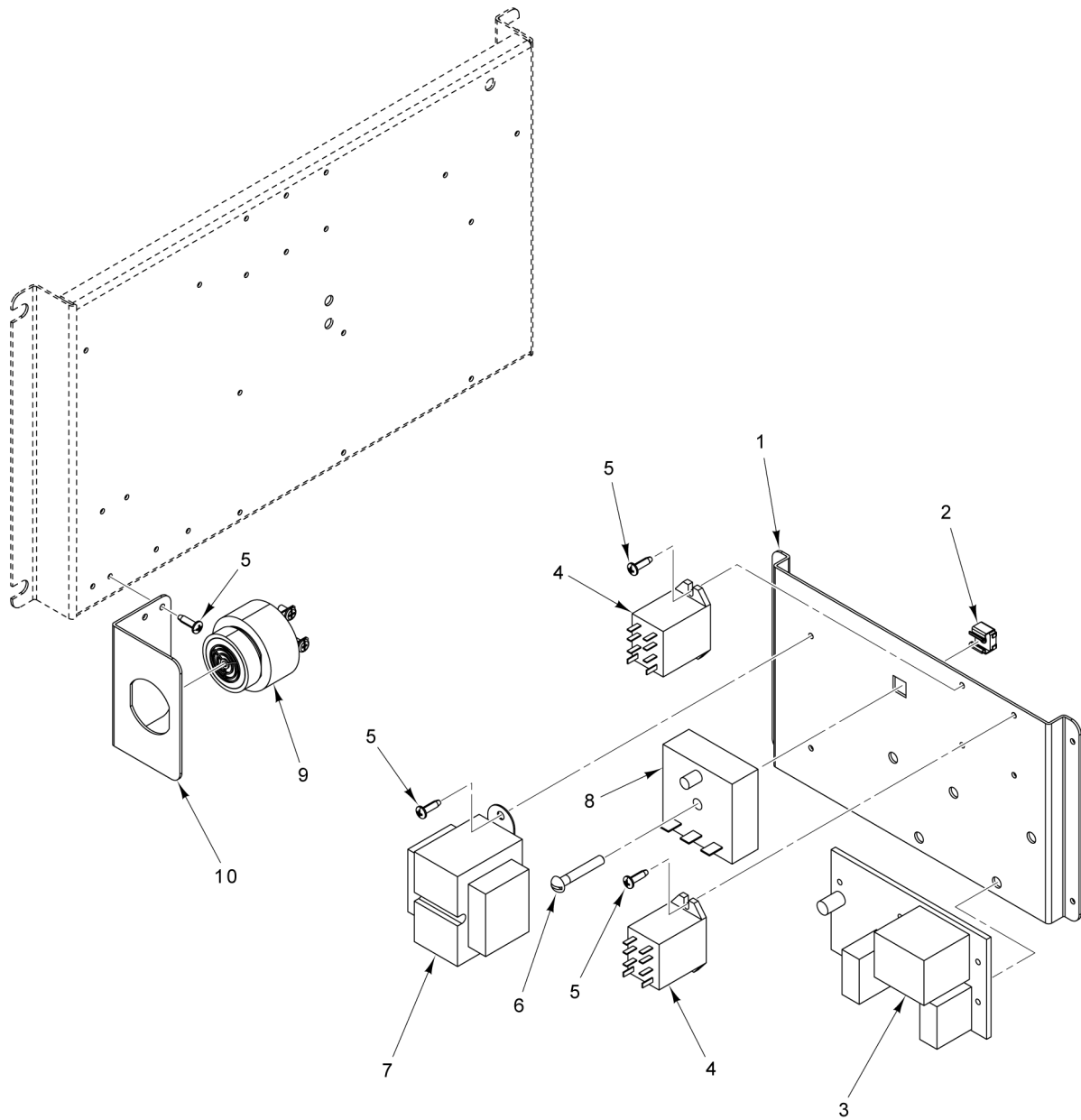


PL-59501

**ELECTRICAL COMPONENTS**

## ELECTRICAL COMPONENTS

ILLUS.	PART NO.	NAME OF PART	AMT.
PL-59501			
1		Plate - Mounting.....	1
2	00-936742-00001	Nut 10-24 Insert.....	1
3	00-118544-00002	Lug - Grounding.....	1
4	WL-014-07	Lockwasher #10 External Shakeproof (SST).....	1
5	SC-120-23	Mach. Screw 10-24 x 3/8 Hex Hd.....	1
6	00-410472-00008	Block - Terminal (3-Pole).....	1
7	SD-019-29	Self-Tapping Screw 6-20 x 1/2 Phil. Pan Hd., Type B.....	2
8		Bracket - Controller.....	1
9	SD-019-29	Self-Tapping Screw 6-20 x 1/2 Phil. Pan Hd., Type B.....	2
10	00-840115	Contact (25 Amp.).....	1
11	SD-019-29	Self-Tapping Screw 6-20 x 1/2 Phil. Pan Hd., Type B.....	2
12	00-840115	Contact (25 Amp.).....	1
13	SD-019-29	Self-Tapping Screw 6-20 x 1/2 Phil. Pan Hd., Type B.....	2
14	00-855028-00001	Block - Fuse.....	1
15	00-423986-00001	Fuse (KTK-R-3).....	2
16	SD-019-29	Self-Tapping Screw 6-20 x 1/2 Phil. Pan Hd., Type B.....	2
17	00-294500-00033	Transformer (60 VA. 50/60 Hz.).....	1
18	SD-019-29	Self-Tapping Screw 6-20 x 1/2 Phil. Pan Hd., Type B.....	2
19	SC-113-10	Mach. Screw 4-40 x 3/8 Phil. Pan Hd.....	1
20	WL-003-09	Lockwasher #6 Helical.....	1
21		Mount - High Limit.....	1
22	00-857637-00001	Thermostat - High Limit Temperature.....	1
23	SD-019-29	Self-Tapping Screw 6-20 x 1/2 Phil. Pan Hd., Type B.....	2
24	00-416535-00006	Relay - DPST (120 V.).....	1
25	SD-019-29	Self-Tapping Screw 6-20 x 1/2 Phil. Pan Hd., Type B.....	2
26	00-416535-00006	Relay - DPST (120 V.).....	1
27	SD-019-29	Self-Tapping Screw 6-20 x 1/2 Phil. Pan Hd., Type B.....	2
28	00-416535-00006	Relay - DPST (120 V.).....	1
29	SD-019-29	Self-Tapping Screw 6-20 x 1/2 Phil. Pan Hd., Type B.....	2
30	00-857578-00001	Controller - Temperature.....	1



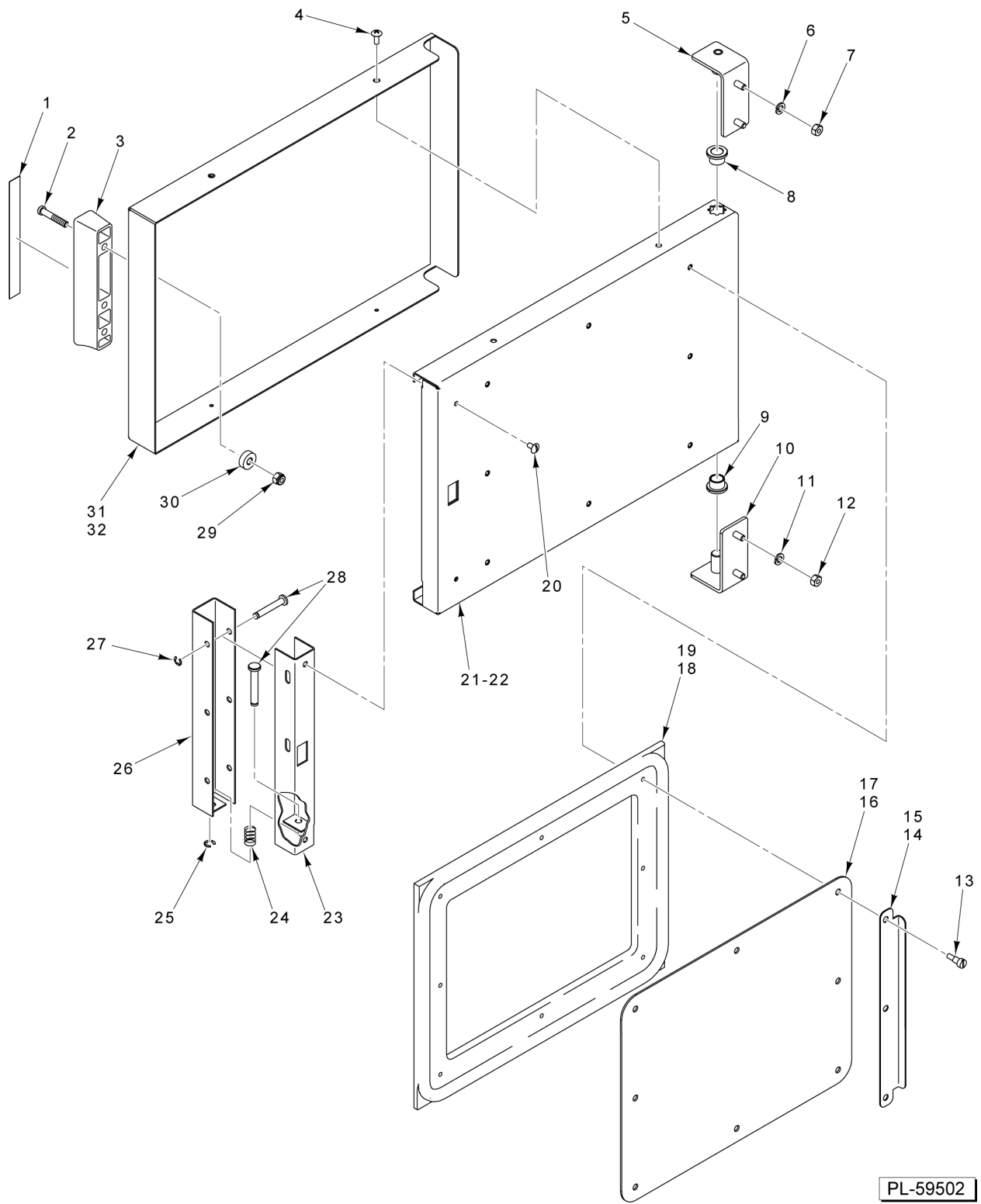
PL-61469

**ELECTRICAL COMPONENTS (AUTOFILL)**



**ELECTRICAL COMPONENTS (AUTOFILL)**

<b>ILLUS.</b>	<b>PART NO.</b>	<b>NAME OF PART</b>	<b>AMT.</b>
1	00-858726-00002	Plate - Control.....	1
2	NS-049-01	Panel Nut 10-24.....	1
3	00-844069-00001	Control - Low Water.....	1
4	00-856699-00001	Switch - Relay.....	2
5	SD-019-29	Self-Tapping Screw 6-20 x 1/2 Phil. Pan Hd., Type B.....	6
6	SC-021-96	Mach. Screw 10-24 x 1-1/4 Slotted Rd. Hd. (SST).....	1
7	00-411500-00012	Transformer (120 VAC, 24 V., 40 VA).....	1
8	00-855661-00001	Relay - Time Delay.....	1
9	00-858728-00001	Buzzer (Water Level).....	1
10	00-858726-00003	Bracket - Buzzer.....	1

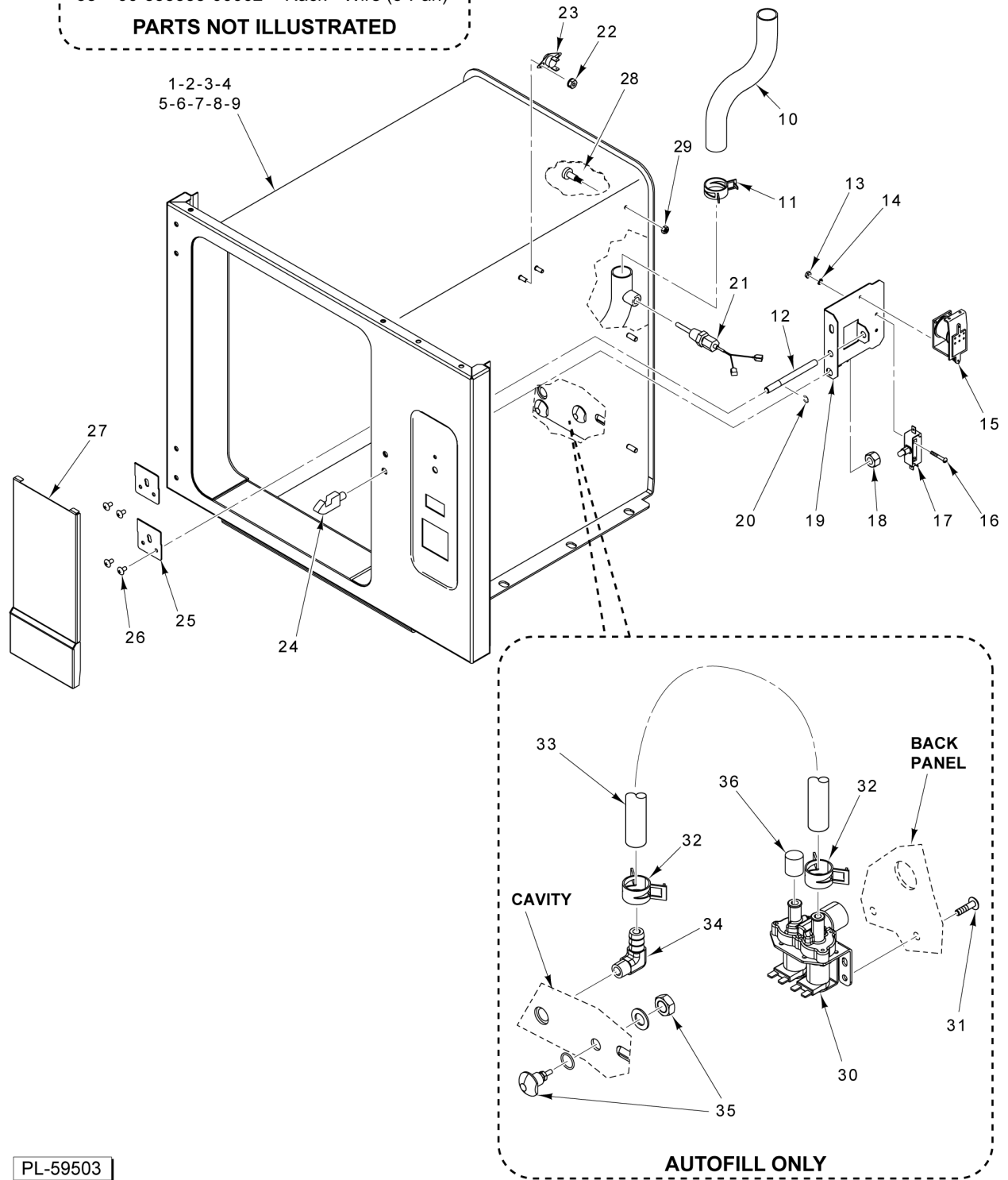


**DOOR**

## DOOR

ILLUS. PL-59502	PART NO.	NAME OF PART	AMT.
1	00-855288-00001	Face Plate - Door Handle.....	1
2	SC-120-70	Cap Screw 1/4-20 x 1-5/8 Hex Socket Hd.....	2
3	00-855287-00001	Handle - Door.....	1
4	SC-066-20	Mach. Screw 10-32 x 1/2 Phil. Truss Hd. (SST).....	4
5	00-855521-00001	Hinge Assy. - Door (Top).....	1
6	WL-006-17	Lockwasher 1/4 Helical (SST).....	2
7	NS-046-38	Nut 1/4-20 Hex (SST).....	2
8	00-817643	Bearing - Flanged.....	1
9	00-817643	Bearing - Flanged.....	1
10	00-855521-00002	Hinge Assy. - Door (Bottom).....	1
11	WL-006-17	Lockwasher 1/4 Helical (SST).....	2
12	NS-046-38	Nut 1/4-20 Hex (SST).....	2
13	00-855597-00002	Screw 10-32 x 5/16 Slotted (SST).....	3
14	00-855714-00001	Gasket - Door Guard (3-Pan).....	1
15	00-855714-00002	Gasket - Door Guard (5-Pan).....	1
16	00-855285-00001	Gasket Retainer - Door (3-Pan).....	1
17	00-855285-00002	Gasket Retainer - Door (5-Pan).....	1
18	00-857085-00001	Kit - Door Gasket (3 Pan).....	1
19	00-857085-00002	Kit - Door Gasket (5 Pan).....	1
20	SC-053-05	Mach. Screw 10-24 x 3/8 Slotted Truss Hd. (SST).....	2
21	00-855581-00001	Door - Inner (3 Pan).....	1
22	00-855581-00002	Door - Inner (5 Pan).....	1
23	00-855583-00001	Bracket - Door Latch.....	1
24	00-855298-00001	Latch Spring - Door.....	1
25	RR-006-22	Retaining Ring 1/4 In. (SST).....	1
26	00-855585-00001	Latch Actuator - Door.....	1
27	RR-006-22	Retaining Ring 1/4 In. (SST).....	3
28	00-855590-00002	Pin - Clevis 1.525 In. Lg.....	4
29	NS-048-63	Lock Nut 1/4-20 Hex (SST).....	2
30	00-855290-00001	Bearing - Door Handle.....	2
31	00-855580-00001	Frame - Door (3-Pan).....	1
32	00-855580-00002	Frame - Door (5-Pan).....	1

37 00-855355-00001 Rack - Wire (3-Pan)  
 38 00-855355-00002 Rack - Wire (5-Pan)  
**PARTS NOT ILLUSTRATED**

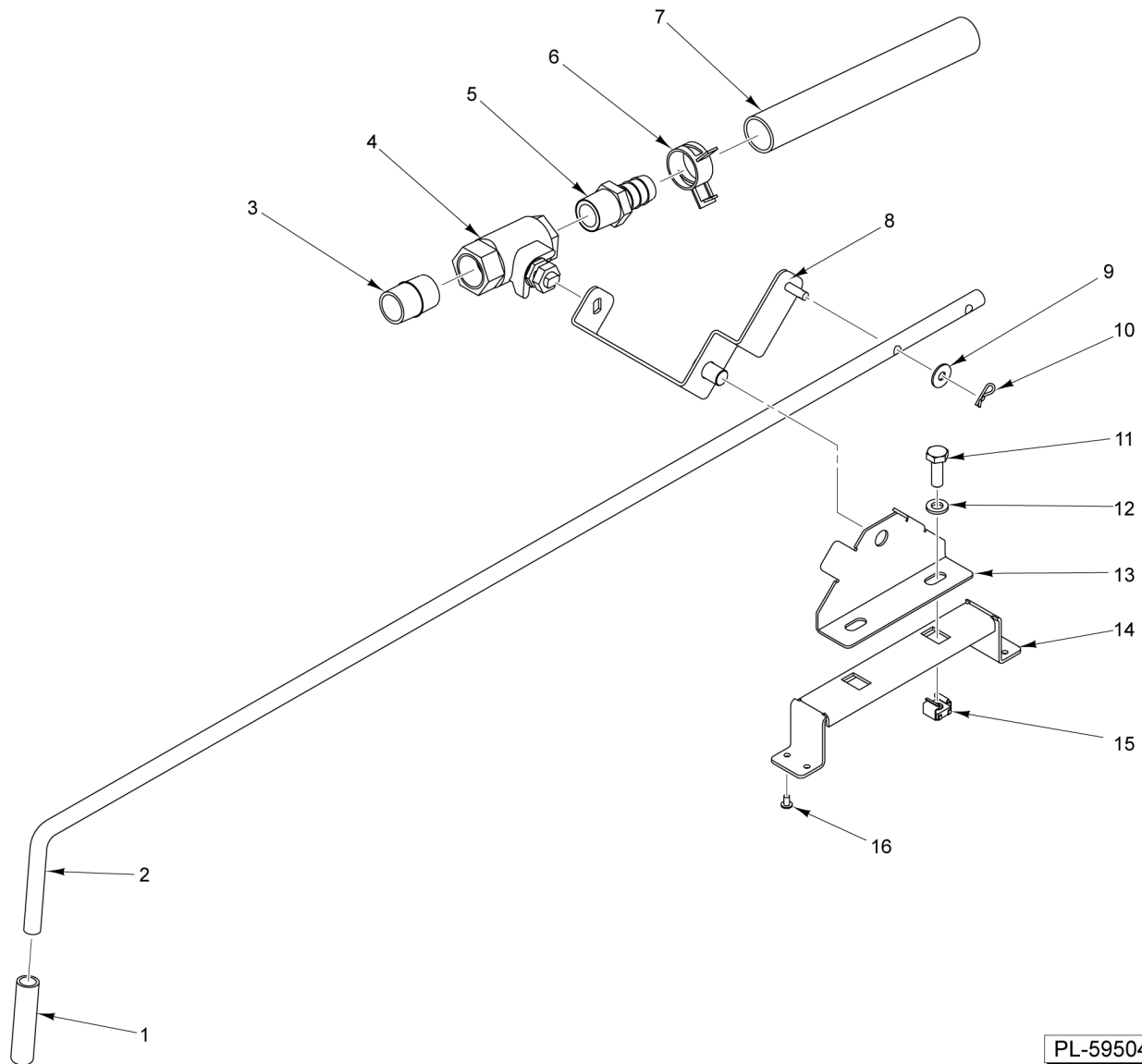


PL-59503

**COMPARTMENT**

## COMPARTMENT

ILLUS. PL-59503	PART NO.	NAME OF PART	AMT.
1	00-857555-00001	Compartment (3 Pan).....	1
2	00-857555-00002	Compartment (3-Pan) (Autofill Units Only).....	1
3	00-857569-00001	Compartment (5 Pan).....	1
4	00-857569-00002	Compartment (5-Pan) (Autofill Units Only).....	1
5	00-857601-00001	Insulation - Rear (3 Pan).....	1
6	00-857602-00001	Insulation - Rear (5 Pan).....	1
7	00-857553-00001	Wrap - Insulation (3 Pan).....	1
8	00-857554-00001	Wrap - Insulation (5 Pan).....	1
9	00-557598	Tape - Aluminum Foil.....	AR
10	00-557477	Hose (4 Ft.) (Green).....	AR
11	00-557847-00001	Clamp - Hose.....	2
12	00-855307-00001	Actuator Rod - Door.....	1
13	NS-011-07	Nut 6-32 Hex (SST).....	2
14	WL-014-03	Lockwasher #6 External (SST).....	2
15	00-411499-00004	Buzzer (115 V.).....	1
16	SC-021-12	Mach. Screw 6-32 x 1 Slotted Rd. Hd. (SST).....	1
17	00-842049	Switch - Door.....	1
18	NS-015-13	Nut 3/8-16 Hex (SST).....	1
19	00-855308-00001	Actuator Bracket - Door.....	1
20	RR-006-22	Retaining Ring 1/4 In. (SST).....	2
21	00-857610-00001	Probe - Temperature.....	1
22	NS-044-09	Nut Assy. 10-24 Hex KEPS.....	2
23	00-857603-00001	Thermostat - Hold.....	1
24	00-855586-00001	Bullet - Door.....	1
25	00-857574-00001	Mount - Baffle.....	2
26	SC-066-22	Mach. Screw 10-32 x 3/8 Phil. Truss Hd. (SST).....	4
27	00-858725-00001	Baffle Assy. - Exhaust.....	1
28	00-855337-00001	Shoulder Screw 10-32 Slotted (SST).....	4
29	NS-049-09	Nut Assy. 10-32 (SST).....	8
30	00-856720-00004	Valve - Dual Water 4.8 - 0.75 GPM (Autofill Units Only).....	1
31	SC-066-06	Mach. Screw 10-24 x 1/2 Phil. Truss Hd. (SST) (Autofill Units Only).....	2
32	00-557844	Clamp - Hose (19mm) (Autofill Units Only).....	2
33	00-557681	Hose (16 In.) (Autofill Units Only).....	1
34	FP-090-91	Fitting - Hose 1/2 Hose to 1/4 NPT (Brass) (Autofill Units Only).....	1
35	00-858727	Probe Assy. (Incls. Gasket, Washer, & Nuts) (Autofill Units Only).....	2
36	00-857526-00001	Cap - Vinyl (1/2 ID x 1 In.) (Autofill Units Only).....	1
37	00-855355-00001	Rack - Wire (3-Pan).....	AR
38	00-855355-00002	Rack - Wire (5-Pan).....	AR

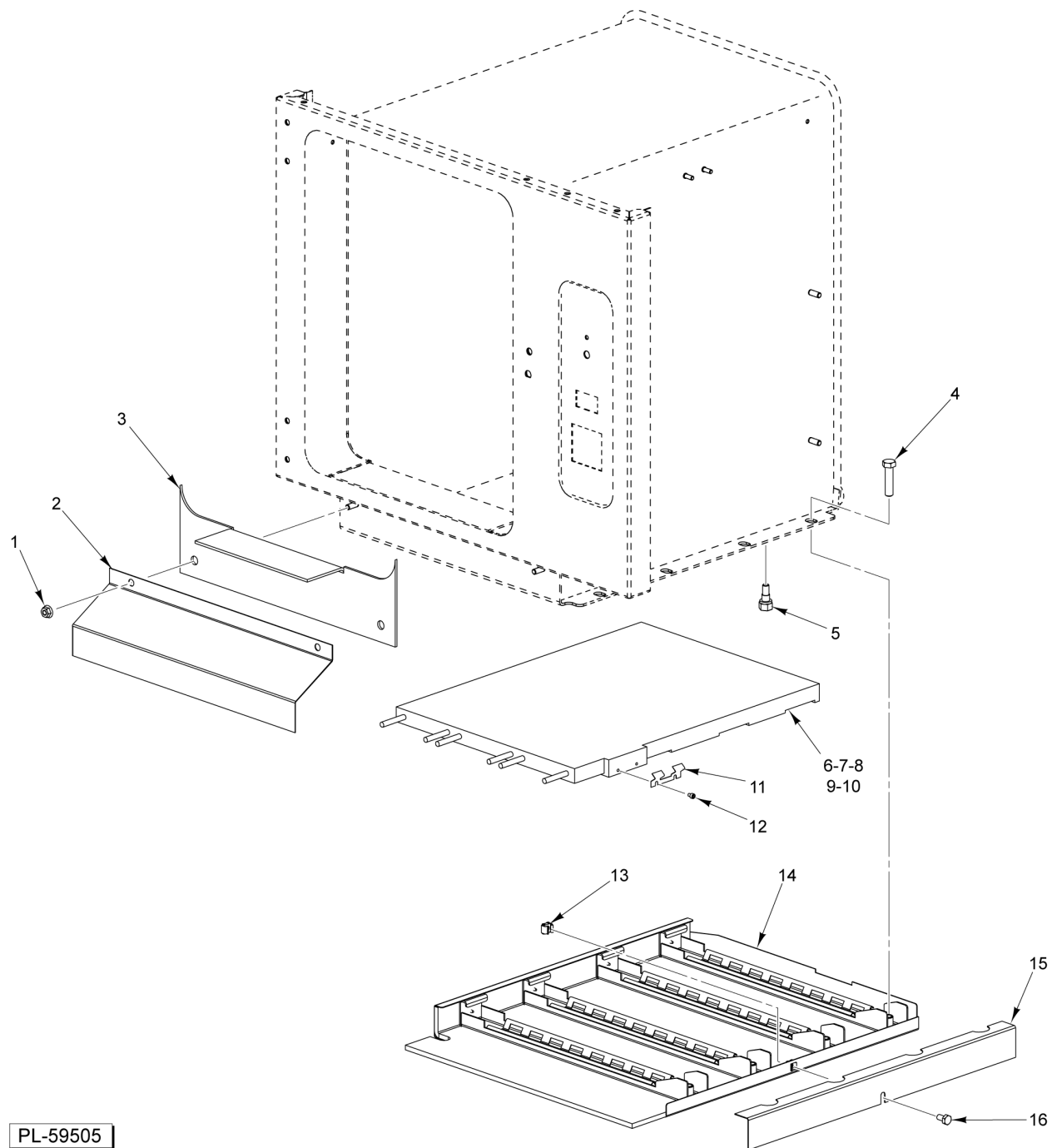


PL-59504

**DRAIN ASSEMBLY**

**DRAIN ASSEMBLY**

<b>ILLUS.</b>	<b>PART NO.</b>	<b>NAME OF PART</b>	<b>AMT.</b>
<b>PL-59504</b>			
1	00-856736-00001	Cap - Handle.....	1
2	00-856729-00001	Handle - Drain.....	1
3	FP-040-42	Pipe 1/2 x 1-1/8 TBE (Brass).....	1
4	00-881161	Valve - Ball.....	1
5	FP-087-39	Fitting - Hose 5/8 Hose to 1/2 NPT (Brass).....	1
6	00-557845	Clamp - Hose (24mm).....	1
7	00-557475	Hose 5/8 ID x 0.955 OD (1.66 Ft.) (Blue).....	AR
8	00-857560-00001	Lever - Drain.....	1
9	WS-029-45	Washer.....	1
10	00-855729-00001	Pin - Cotter.....	1
11	SC-041-01	Cap Screw 1/4-20 x 3/4 Hex Hd. (SST).....	2
12	WL-006-17	Lockwasher 1/4 Helical (SST).....	2
13	00-857561-00001	Pivot - Drain.....	1
14	00-857562-00001	Spacer - Drain Pivot.....	1
15	NS-049-13	Insert.....	2
16	RS-030-08	Rivet - Dome 1/8 In.....	4

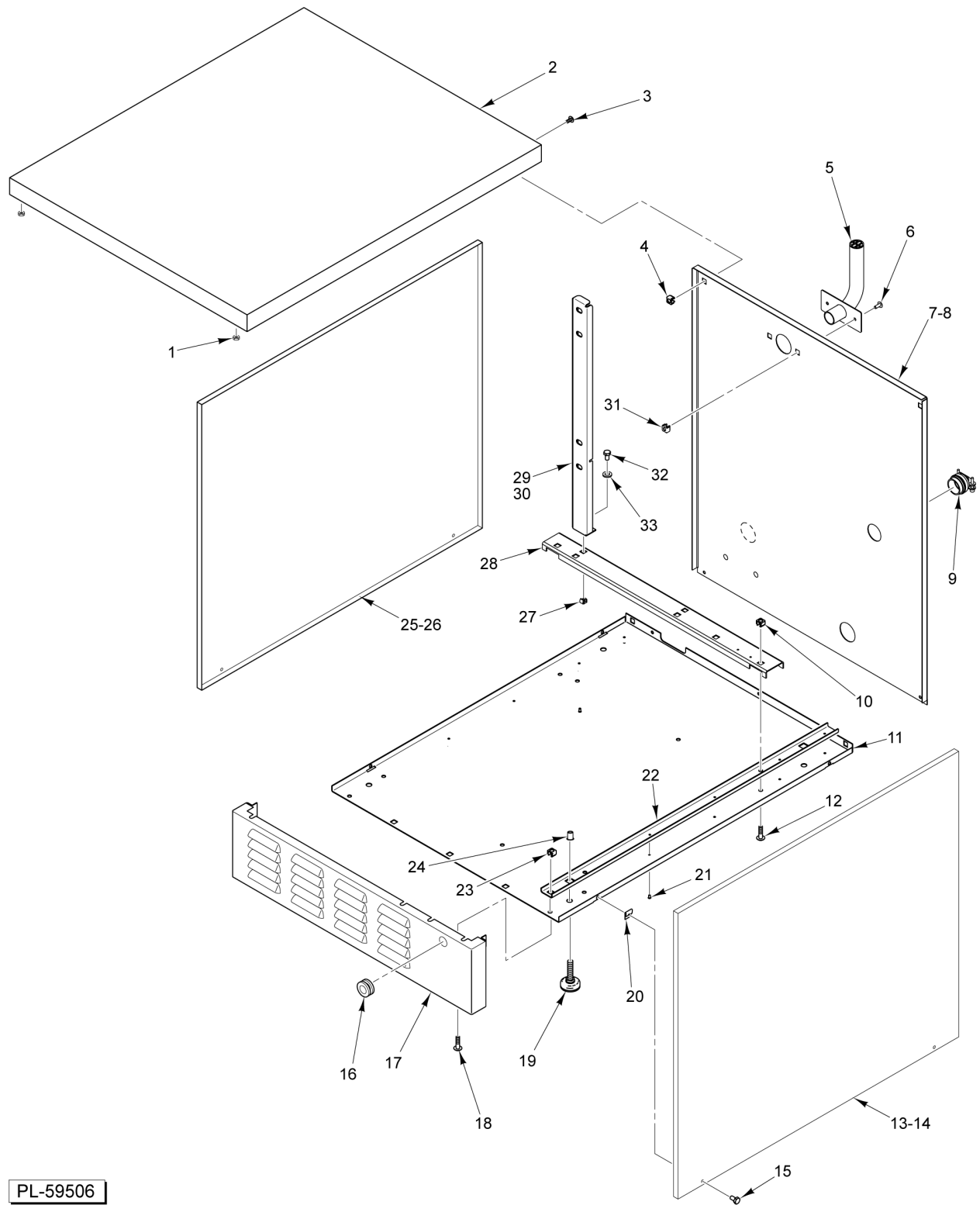


### HEATER ELEMENT AND SHIELDS



## HEATER ELEMENT AND SHIELDS

ILLUS.	PART NO.	NAME OF PART	AMT.
PL-59505			
1	NS-038-04	Lock Nut 1/4-20.....	2
2	00-857565-00001	Heat Shield - Front.....	1
3	00-857589-00001	Insulation - Front.....	1
4	SC-041-32	Cap Screw 3/8-16 x 1-1/2 Hex Hd. (SST).....	4
5	00-857636-00001	Thermostat - Low Water.....	1
6	00-913115-00001	Kit - Heater Element 208/240V (3 Pan).....	1
7	00-913115-00002	Kit - Heater Element 208V (5 Pan).....	1
8	00-913115-00003	Kit - Heater Element 240V (5 Pan).....	1
9	00-913115-00004	Kit - Heater Element 480V (5 Pan).....	1
10	00-819643-00002	Silicone - Heatsink 13 1/2 Oz.....	2
11	00-857638-00001	Clamp - Capillary Bulb.....	1
12	SC-040-75	Cap Screw 6-32 x 3/16 Hex Socket Hd.....	2
13	NS-049-03	Panel Nut 1/4-20.....	1
14	00-857608-00001	Shield Assy. - Heat.....	1
15	00-857564-00001	Heat Shield - Side.....	1
16	SC-041-50	Cap Screw 1/4-20 x 1/2 Hex Hd. (SST).....	1



PL-59506

**CABINET**

## CABINET

ILLUS. PL-59506	PART NO.	NAME OF PART	AMT.
1	NS-038-04	Lock Nut 1/4-20.....	2
2	00-855547-00003	Top Panel.....	1
3	SC-066-06	Mach. Screw 10-24 x 1/2 Phil. Truss Hd. (SST).....	2
4	NS-049-01	Panel Nut 10-24.....	2
5	00-857586-00001	Vent.....	1
6	SC-066-06	Mach. Screw 10-24 x 1/2 Phil. Truss Hd. (SST).....	2
7	00-857588-00001	Back Panel - Cabinet (3 Pan).....	1
8	00-857587-00001	Back Panel - Cabinet (5 Pan).....	1
9	FE-026-41	Connector - Conduit.....	2
10	NS-049-03	Panel Nut 1/4-20.....	2
11	00-856726-00001	Panel - Cabinet Base.....	1
12	SC-115-70	Mach. Screw 1/4-20 x 1 Slotted Truss Hd. (SST).....	2
13	00-856731-00001	Side Panel - Cabinet (3-Pan).....	1
14	00-856731-00002	Side Panel - Cabinet (5-Pan).....	1
15	SC-093-27	Mach. Screw 10-24 x 7/8 Phil. Truss Hd. (SST).....	4
16	FE-025-79	Bushing - Snap (Electric).....	1
17	00-855314-00001	Apron - Cabinet.....	1
18	SC-066-06	Mach. Screw 10-24 x 1/2 Phil. Truss Hd. (SST).....	2
19	00-856760-00001	Leg - Leveling (Counter Top).....	4
20	00-854766-00001	Nut - Speed 3 Type.....	4
21	RS-030-08	Rivet - Dome 1/8 In.....	8
22	00-856738-00001	Channel - Cabinet Base.....	2
23	NS-049-03	Panel Nut 1/4-20.....	2
24	00-857508-00001	Insert 3/16-16.....	4
25	00-856731-00001	Side Panel - Cabinet (3-Pan).....	1
26	00-856731-00002	Side Panel - Cabinet (5-Pan).....	1
27	NS-049-03	Panel Nut 1/4-20.....	2
28	00-857566-00001	Cross Channel - Base (Cabinet).....	1
29	00-856747-00001	Support Channel - Cabinet (3-Pan).....	2
30	00-856747-00002	Support Channel - Cabinet (5-Pan).....	2
31	NS-049-01	Panel Nut 10-24.....	2
32	SC-041-50	Cap Screw 1/4-20 x 1/2 Hex Hd. (SST).....	2
33	WL-006-17	Lockwasher 1/4 Helical (SST).....	2

