



Ladder Carts

VERSATILITY & MOBILITY



Ladder Carts

INCREASED FUNCTIONALITY IN A SMALLER FOOTPRINT

The best features of a traditional utility cart and a multi-function work center combined: Rubbermaid's Ladder Cart provides greater mobility, enhanced access, safe ladder handling, and minimal storage requirements.

- Safely carries up to a 6' ladder without hitting doorways, walls, or elevators
- Commercial-grade hybrid construction of powder-coated steel and Rubbermaid structural foam holds up to 500 pounds
- Compact footprint increases maneuverability, requires minimal storage space
- Tall profile improves access and offers a more comfortable work height
- Fully adaptable to work site requirements, with long-item storage, tool holders, and locking cabinet



A 6-FOOT LADDER EASILY CLEARS DOORWAYS

SECURE LOCKING CABINET

AN ADAPTABLE WORK SURFACE FOR FACILITY MAINTENANCE



Safe, Secure, Transport

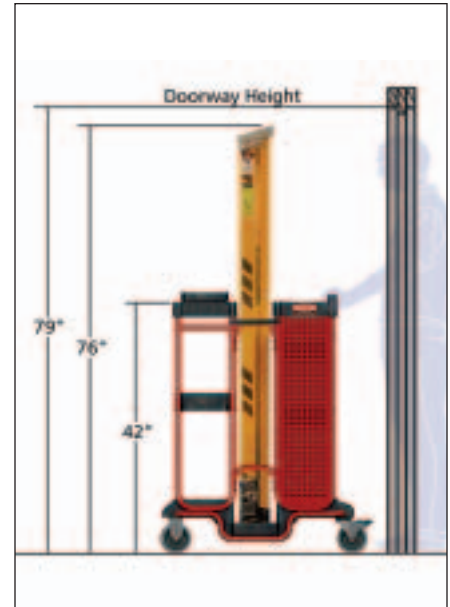
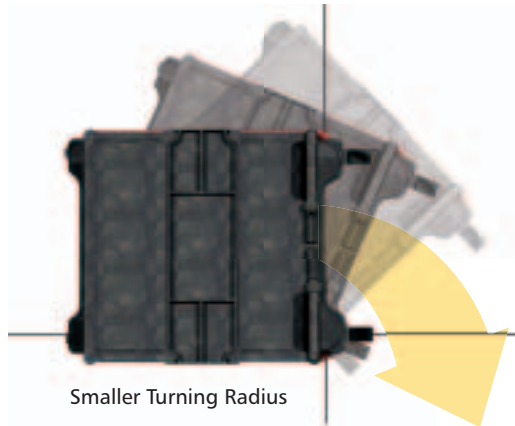


COMPACT & MANEUVERABLE

Small footprint with unique recessed central ladder storage improves cornering and stability. The 42" working height means less stooping and easier handling. Efficient size for closet storage.

VERSATILE

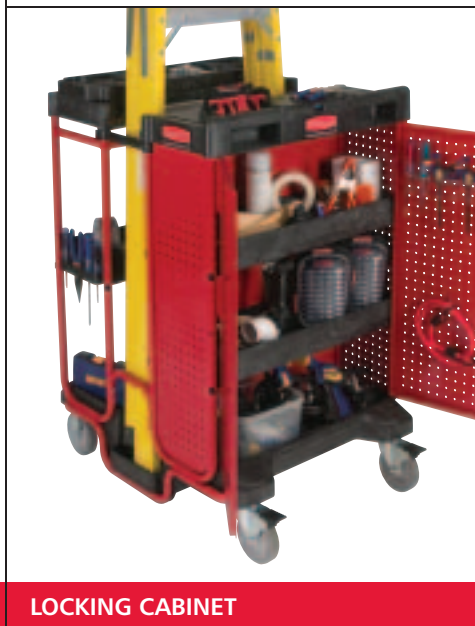
A long list of built-in features makes our Ladder Cart adaptable to nearly any Facilities Maintenance or Trade environment. Removable worktops can be configured to provide extra work surface or increase storage as required.



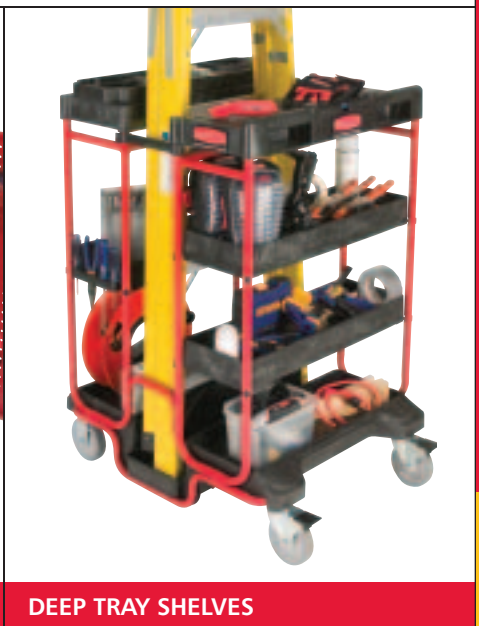
TRANSPORT TALL ITEMS

AMPLE STORAGE & SECURITY

Locking steel cabinet provides extra secure storage for expensive tools. Shelves are easier to organize and access because they are arranged vertically. Tool rack, molded conduit holder, and fastener caddy further add to the Ladder Cart's functionality.



LOCKING CABINET



DEEP TRAY SHELVES

Smarter Carts.



Fastener Caddy
Reverses to provide a level work surface the width of the cart.



Conduit / Pipe Holder
Handle is molded to easily receive pipe or conduit for clamping and trimming



Locking Strap
Secure ladders with a simple snap

Durable Structural Foam construction



Perforated Door & Side Panels
Accomodate 1/4" tool hooks on 1" centers



Tool Holder
Keeps small tools handy



5" Locking Casters

Deep Tray Shelves
Keep items secure



LADDER CART SYSTEM

No.	Description	U.S. Dimensions	U.S. Capacity	U.S. Ship Weight/Carton	Metric Dimensions	Metric Capacity	Metric Ship Weight/Carton	Color	Pack
9T57	Ladder Cart	31 1/2" x 27 3/8" x 42 7/8"	500 lbs	69 lbs	80.1cm x 69.5cm x 108.9cm	227 kg	31.3 kg	BLA	1
9T58	Ladder Cart with cabinet	31 1/2" x 27 3/8" x 42 7/8"	500 lbs	99 lbs	80.1cm x 69.5cm x 108.9cm	227 kg	44.9 kg	BLA	1

Customer Service: 1-800-347-9800
www.rubbermaidcommercial.com

10/05 WP 20M SM654
©2005 by Rubbermaid Commercial Products LLC
3124 Valley Avenue, Winchester, VA 22601

Work Smarter.

