

HOUSEKEEPING SOLUTIONS: SINGLE CHEMICAL DISPENSER

Fusion: Simple, Fast Chemical Dispensing

Fusion One is an innovative chemical dispenser designed to be installed quickly, simple to use, and easy to service. The sleek, modular design utilizes a large push button operated valve and space for premium branding in a large, customizable label display area. Powered by the Fusion water valve – the smallest, most versatile water valve on the market using DEMA's proven pilot valve technology – Fusion provides an advanced, slender and more efficient package. It's all here!

Features and Benefits

- Sleek, simple design for the modern housekeeping environment
- Large push button for easy activation and optional lock-on for bucket filling
- Six button colors: black, blue, green, red, white, and yellow
- Premium branding label display area for company name or chemicals
- Simple valve diaphragm access
- Fewer water valve components to service
- Push button cover release with optional security screw
- Built-in bubble level and keyhole mounting slots
- Robust integrated hose hanger

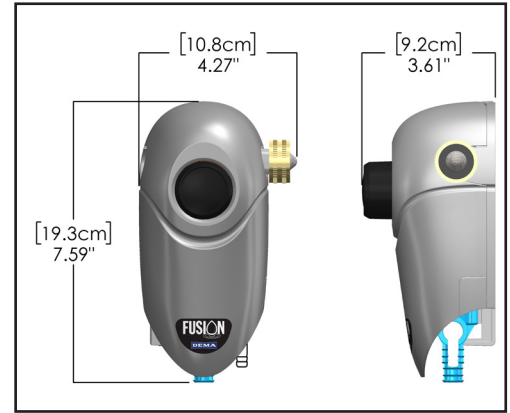
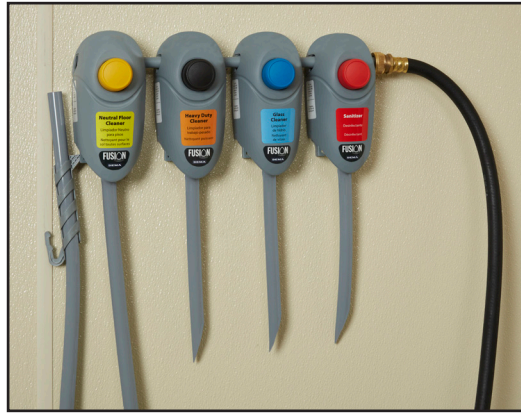


The Fusion Water Valve

The pilot-activated water valve simplifies the dispenser's operation. With fewer components than competitive models, service and maintenance is far less frequent making it the reliable water valve of choice.

Why Fusion?

- Greater versatility for a wide variety of water connections. Garden hose, brass compression, quick-connect push-on, and barb fittings are available.
- Ease of installation with smart features to reduce installation time.
- Fewer moving parts improves reliability over other systems.



DISPENSERS	MODEL NUMBER
Fusion, Bottle Filling, Action Gap	644G.A1A.E0
Fusion, Bottle Filling, Air Gap	644A.A1A.E1
Fusion, Bucket Filling, Action Gap	644G.A1C.E0
Fusion, Bucket Filling, Air Gap	644A.A1C.E1
Additional product package combinations are available. Contact Customer Service or your Regional Sales Manager for more information.	



DEMA Engineering Company

10020 Big Bend Blvd.
St. Louis, MO 63122 U.S.A

Tel: 1-800-325-3362
Fax: 314-965-8319



www.demaeng.com



sales@demaeng.com