







SYSTEM BUYER'S GUIDE

WHY THE SPIKE SYSTEM?

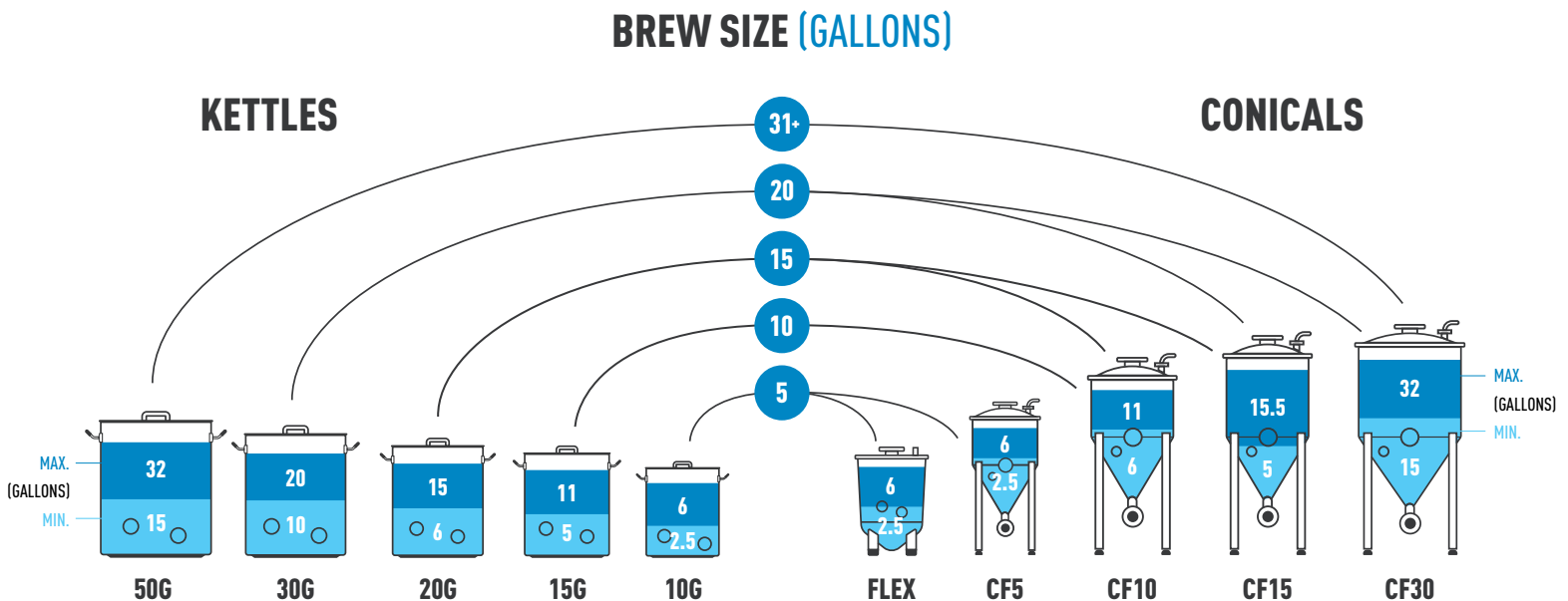
The Spike Electric Brewing System was engineered with you, our customer, in mind. With a single, electric control panel, you can man your brewhouse from one location, making brewing consistent, repeatable beers painless. The turn-key system is built with industry-standard pumps and connections – parts that have been proven to last – and its efficient HERMS setup makes temperature control simple, ensuring you hit your numbers with every batch. Used by home brewers and professionals alike, the Spike system is made in Milwaukee, Wisconsin and features fully-welded kettles, so you can stop worrying about bacteria and focus on brewing your best beer, yet.

FEATURES

-  Quick 4hr brew day
-  Efficiencies up to 85%
-  All fittings are sanitary welded – no leaks, no place for bacteria to hide
-  1 outlet needed, 1 control panel to control...

BATCH SIZES

It is very important to match your intended batch size to an appropriate kettle and fermenter setup. This will ensure you are efficient on brew day and can adequately control temperatures and final output through the fermentation process.










SYSTEM BUYER'S GUIDE

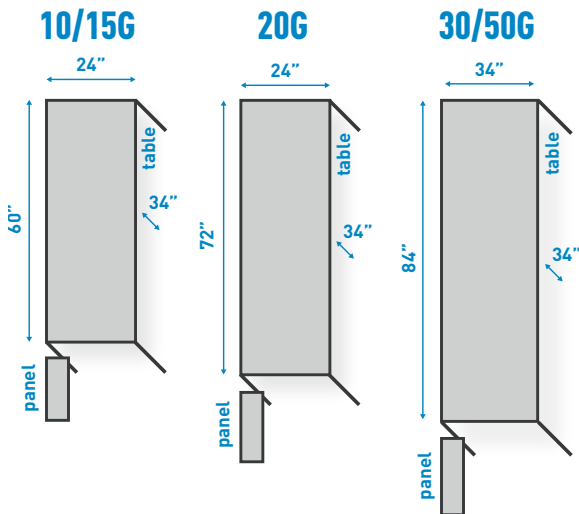
ELECTRICAL OVERVIEW

All systems require a **4 wire 240v** line to be installed. We also highly recommend using a **GFCI breaker** for added protection. All installations should be performed by a professional electrician.

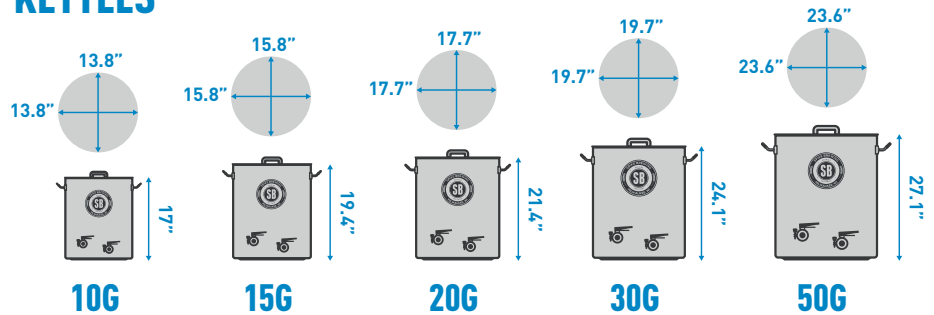
10/15/20/30 Gallon Systems	10/15/20/30 Gallon Systems	50 Gallon Systems	50 Gallon Systems
 Single Batch Outlet: NEMA 14-30 30A Breaker	 Double Batch Outlet: NEMA 14-50 60A Breaker	 Single Batch Outlet: NEMA 14-50 60A Breaker	  Double Batch Outlet: NEMA 14-50 (x2) 60A Breaker (x2)

SYSTEM AND FERMENTER FOOTPRINTS

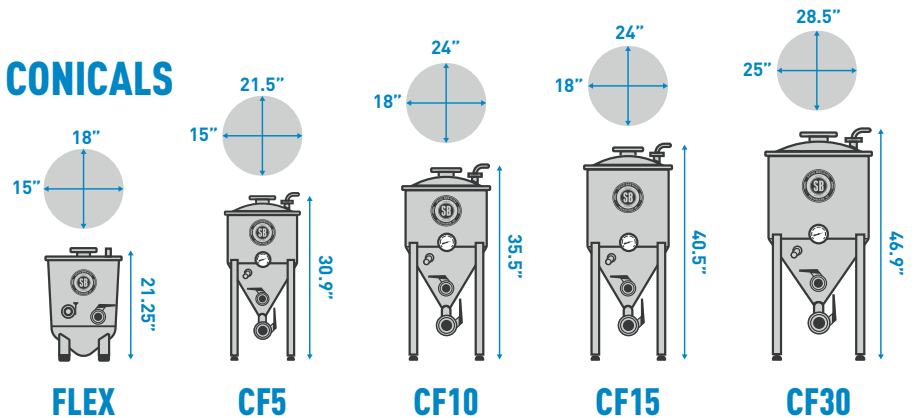
V4 SYSTEM



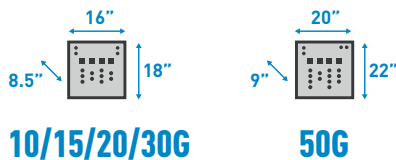
KETTLES



CONICALS

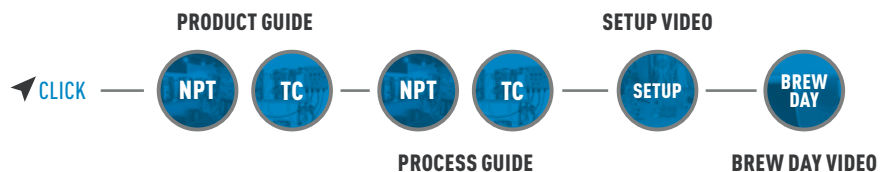


PANELS



BREW DAY OVERVIEW

Please click the links for a range of instructions to help with system setup and brew day process.



SUPPORT

We are deeply committed to ensuring you make your best beer yet with your Spike Equipment. If we can help in any way, please contact our customer experience team at info@spikebrewing.com