





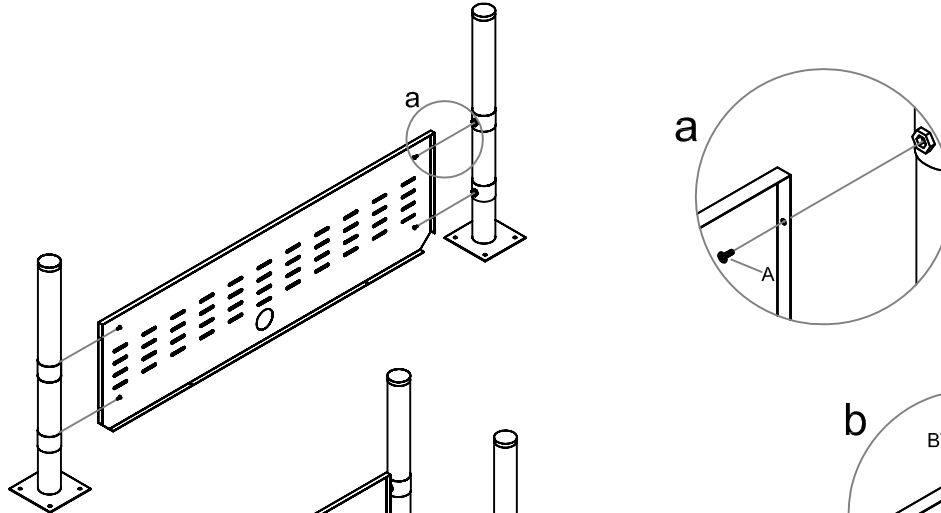
Assembly Instructions

MODEL NO.: NTTMP60

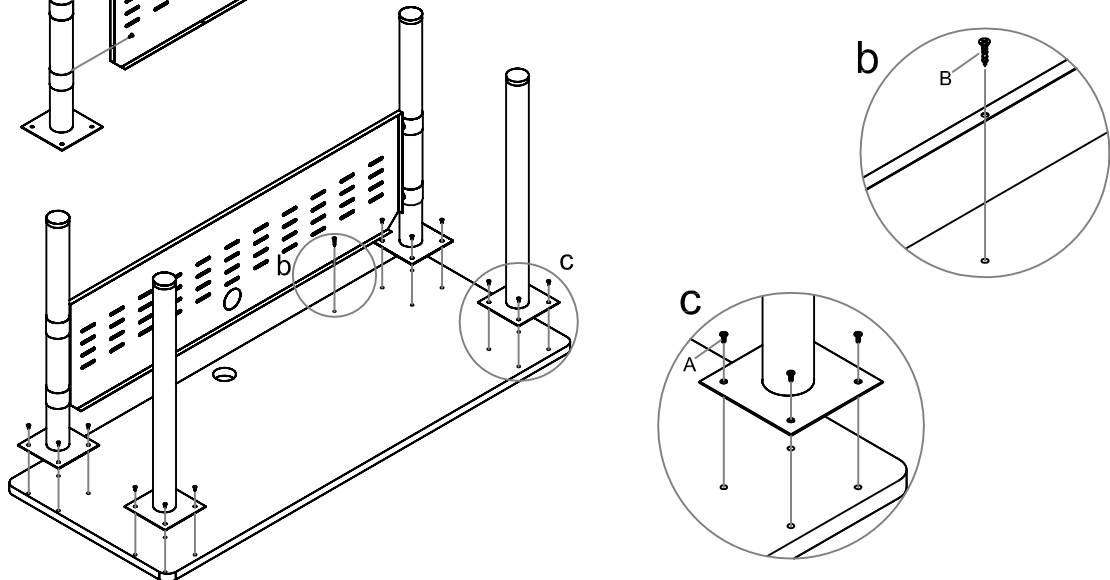
MODESTY PANEL FOR TOPS 24*60

<p>A</p>  <p>Screw#6*12 22Pcs+1Pc (spare)</p>	<p>B</p>  <p>Screw#4*16 2Pcs+1Pc (spare)</p>	<p>C</p>  <p>60mm Black Grommet 1 Pcs</p>	<p>D</p>  <p>Velcro 1 Pc</p>
-------------------------------------------------------------------------------------------------------------------------------------------	------------------------------------------------------------------------------------------------------------------------------------------	---------------------------------------------------------------------------------------------------------------------------------------	---------------------------------------------------------------------------------------------------------------------------

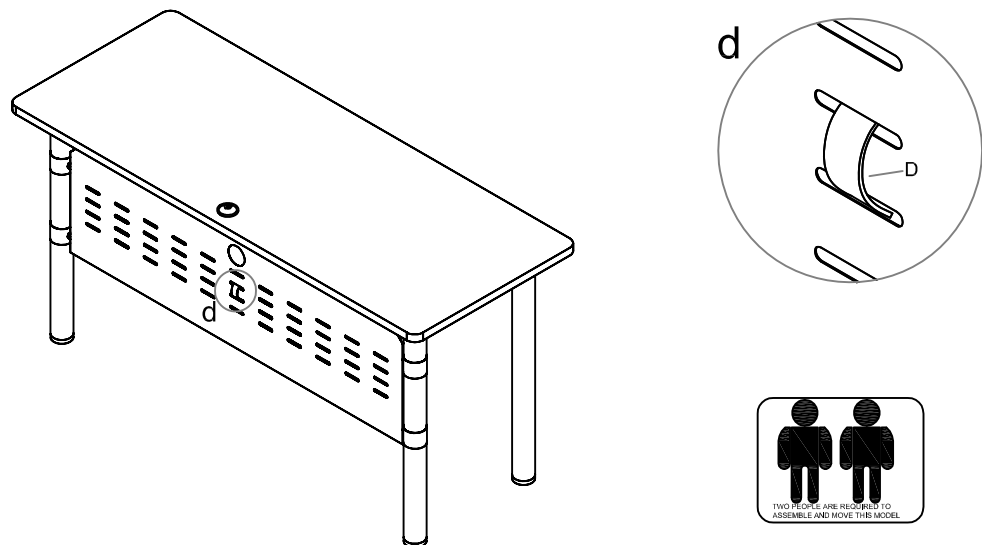
STEP1



STEP2



STEP3



IMPORTANT NOTE:

- Place all laminated parts on a clean and smooth surface such as a rug or carpet to avoid the parts from being scratched.
- Check to be sure that you have all parts and hardware.
- Remove all wrapping materials, including staples & packing straps before you start to assemble.
- Don't tighten all screws/bolts until all completely assembled.
- Keep all hardware parts out of reach of children